



US00D634479S

(12) **United States Design Patent**
Stiles et al.

(10) **Patent No.:** **US D634,479 S**
(45) **Date of Patent:** **** Mar. 15, 2011**

(54) **RESTRAINT DEVICE**

(74) *Attorney, Agent, or Firm* — Ballard Spahr LLP

(76) Inventors: **Mark A. Stiles**, Atlanta, GA (US); **Anna Marie Frey**, Atlanta, GA (US); **Steve Drabant**, Lawrenceville, GA (US)

(57) **CLAIM**

The ornamental design for a restraint device, as shown and described.

(**) Term: **14 Years**

(21) Appl. No.: **29/361,109**

DESCRIPTION

(22) Filed: **May 5, 2010**

(51) **LOC (9) Cl.** **09-03**

(52) **U.S. Cl.** **D29/100**

(58) **Field of Classification Search** D29/100,
D29/101.1, 101.5, 124; 188/37; D21/683;
D30/152; 2/46, 52, 92, 103

See application file for complete search history.

FIG. 1 is a perspective view of a restraint device of the present invention;

FIG. 2 is a front elevational view of the restraint device of FIG. 1;

FIG. 3 is a rear elevational view of the restraint device of FIG. 1;

FIG. 4 is a left side elevational view of the restraint device of FIG. 1;

FIG. 5 is a right side elevational view of the restraint device of FIG. 1;

FIG. 6 is a top elevational view of the restraint device of FIG. 1; and,

FIG. 7 is a bottom elevational view of the restraint device of FIG. 1.

The broken line showing in FIG. 3 depicts unclaimed environmental matter.

(56) **References Cited**

U.S. PATENT DOCUMENTS

4,936,420 A * 6/1990 Nienstiel 188/37

D485,395 S * 1/2004 Mobley D29/100

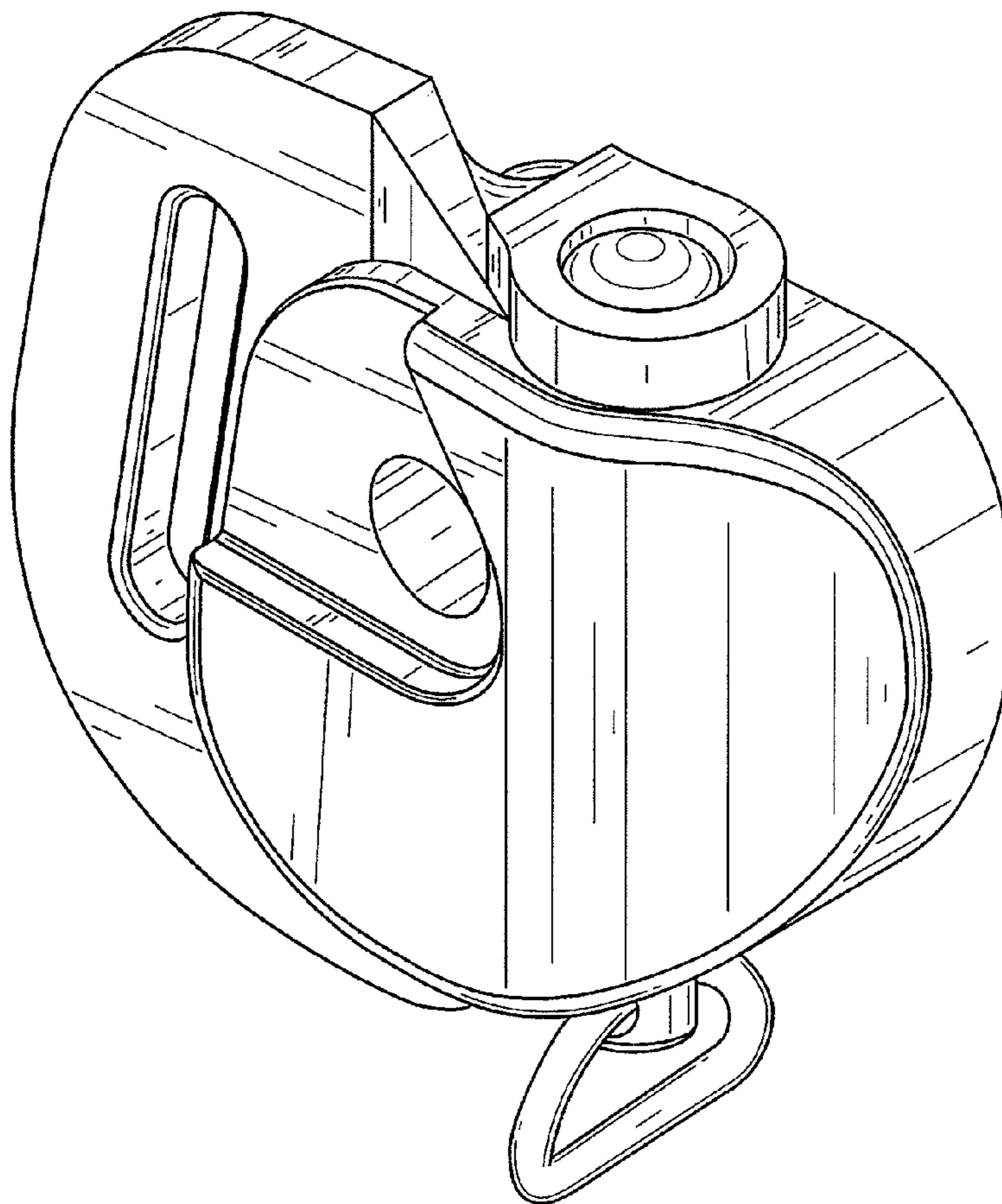
D604,912 S * 11/2009 Paul D29/124

* cited by examiner

1 Claim, 5 Drawing Sheets

Primary Examiner — Susan Bennett Hattan

Assistant Examiner — Barbara B Lohr



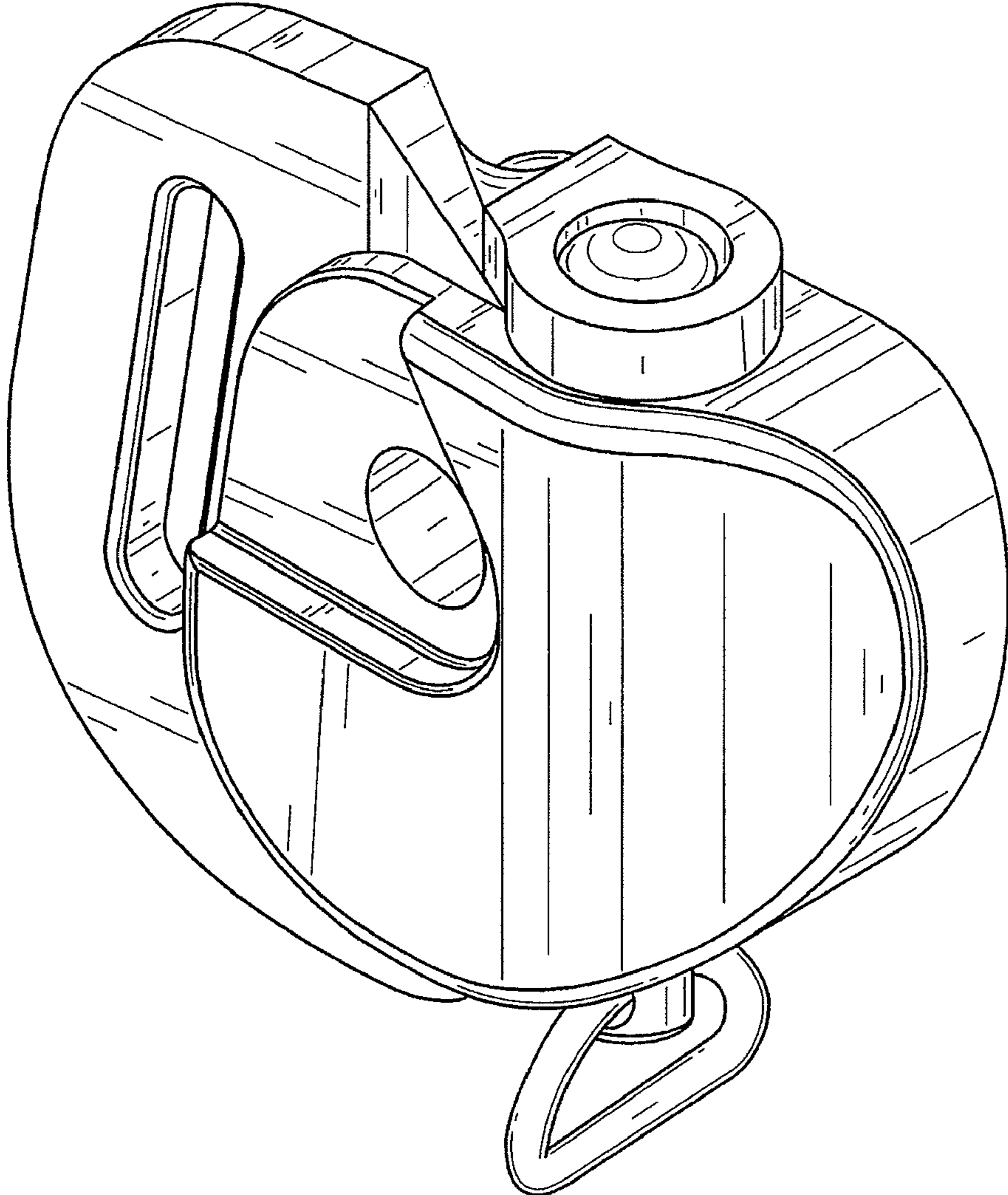


FIG. 1

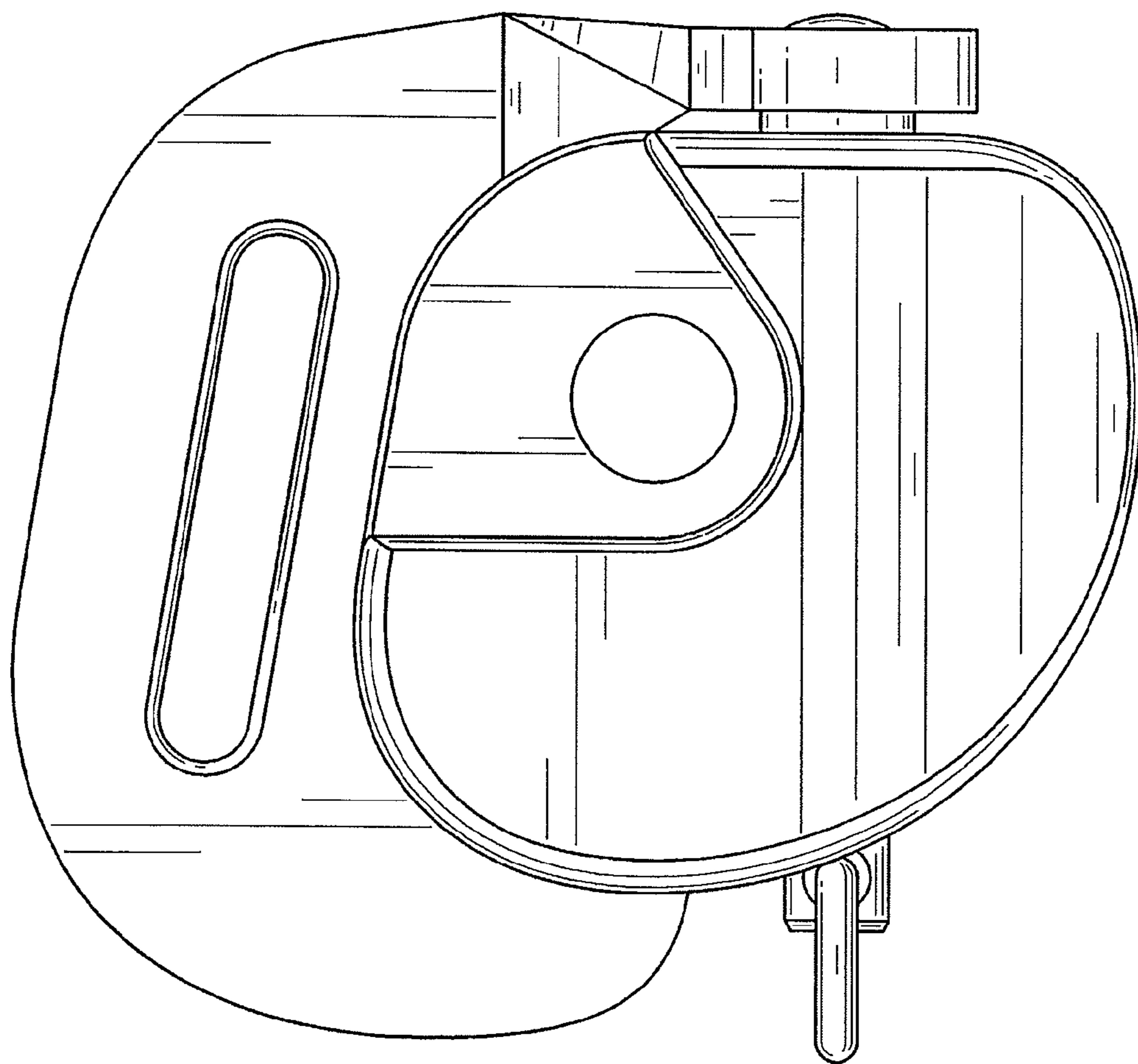


FIG. 2

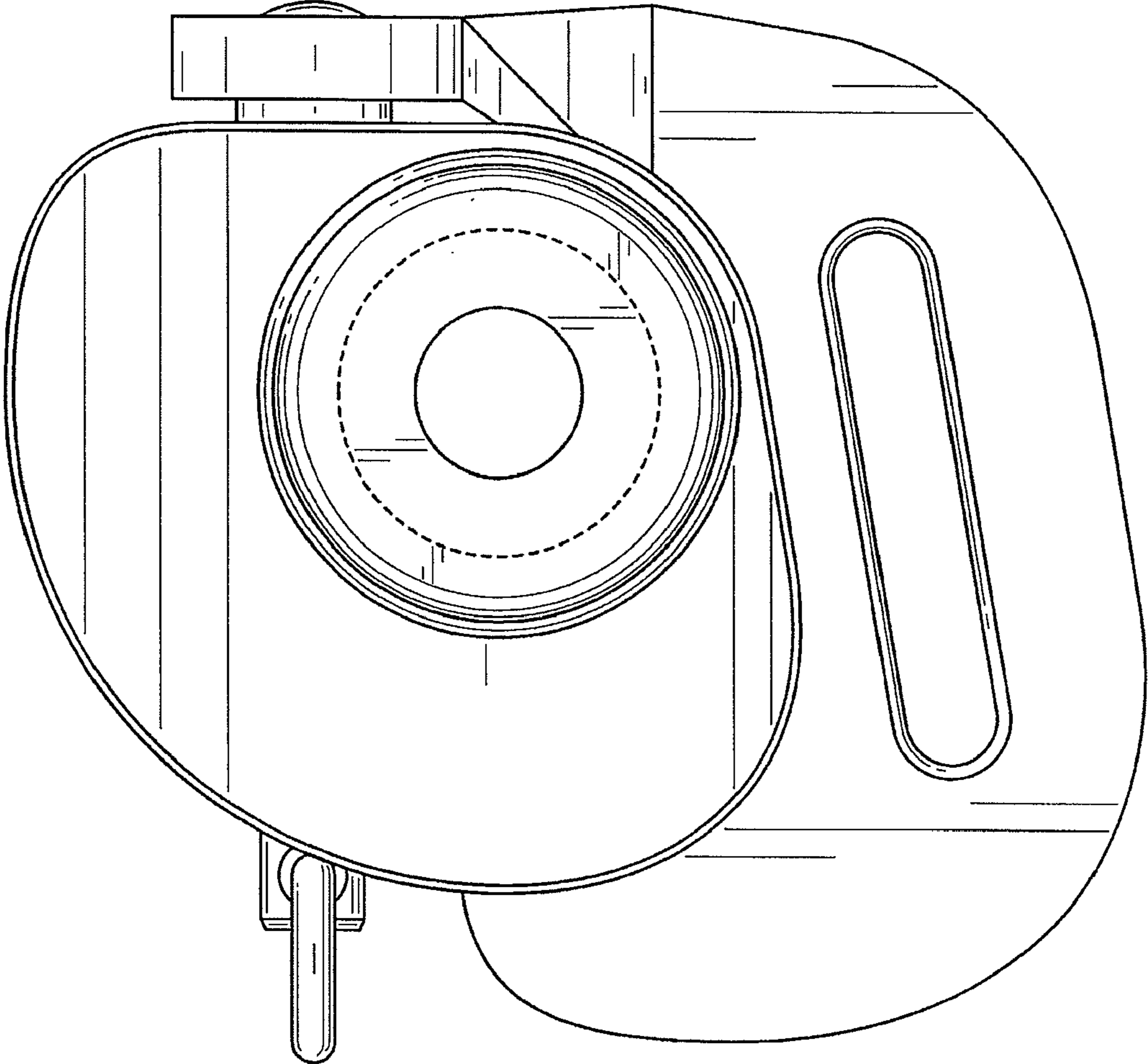


FIG. 3

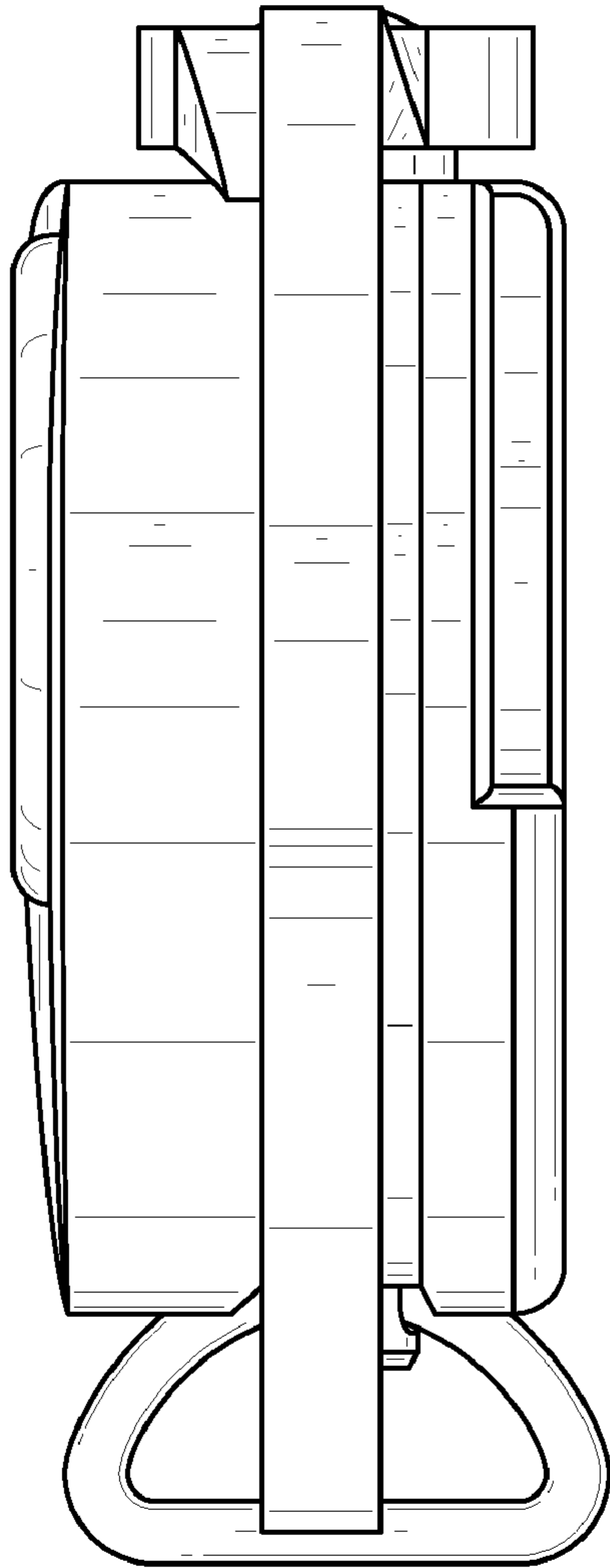


FIG. 4

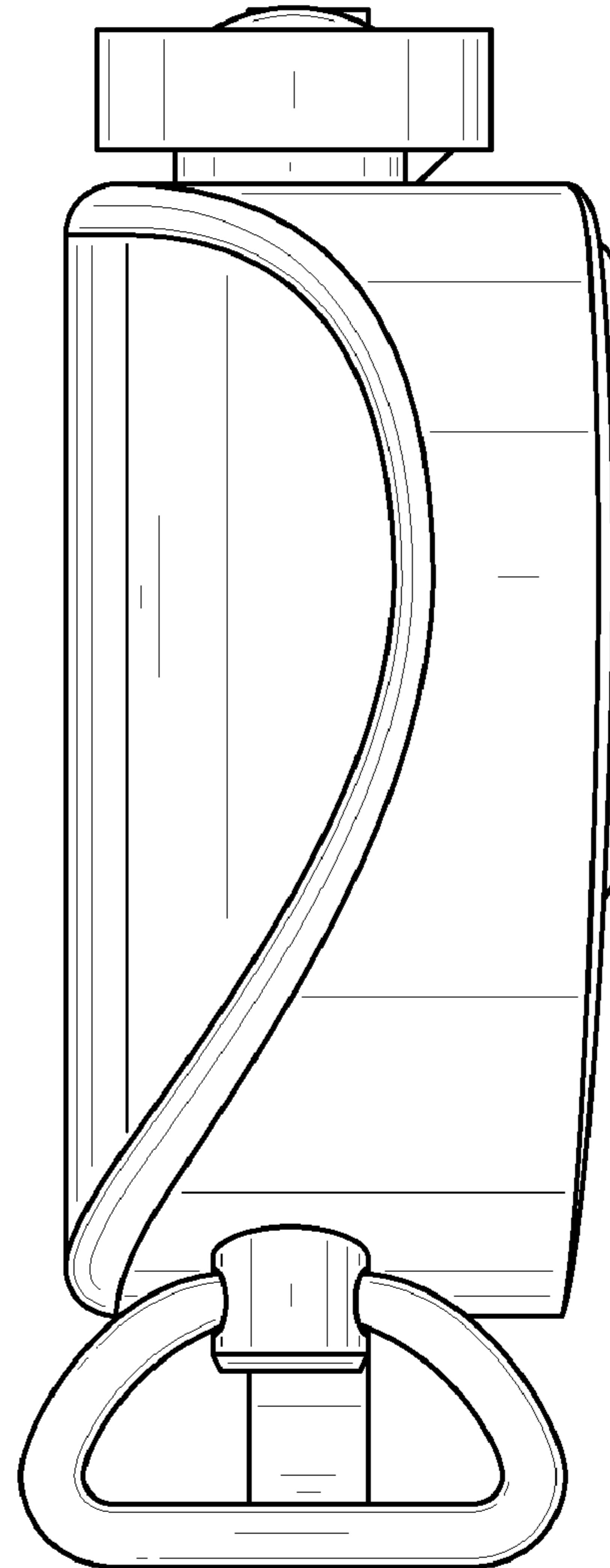


FIG. 5

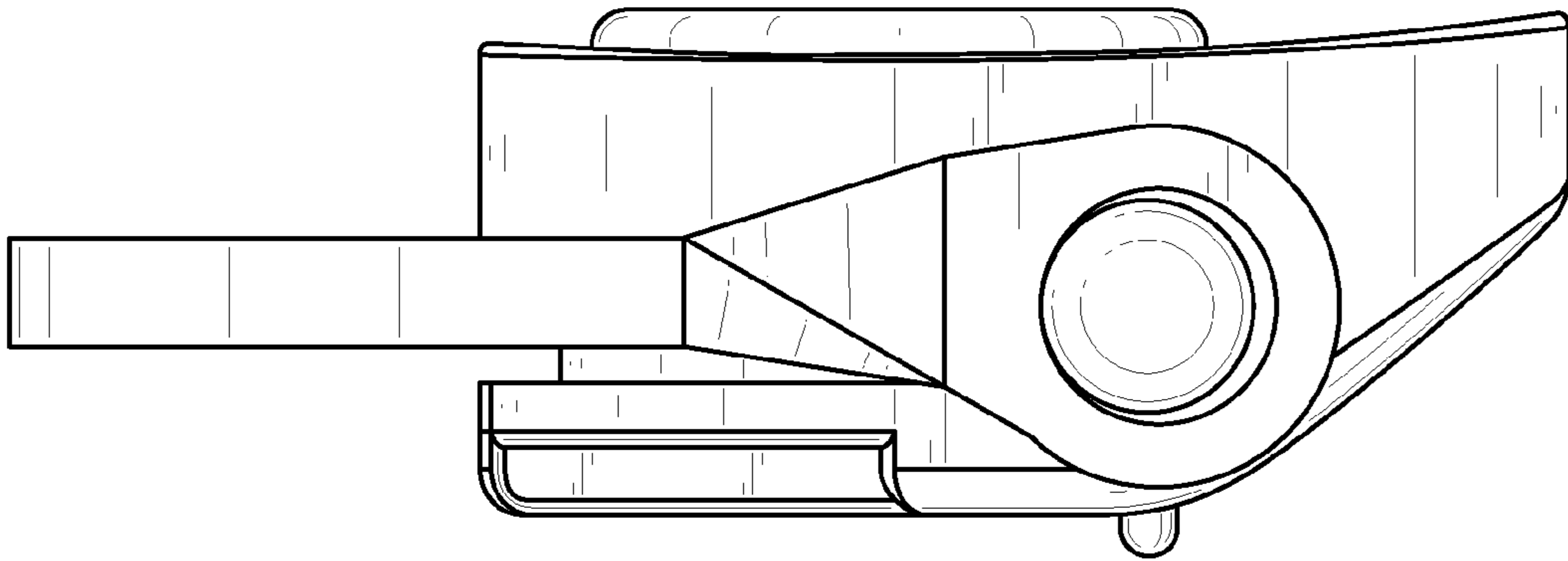


FIG. 6

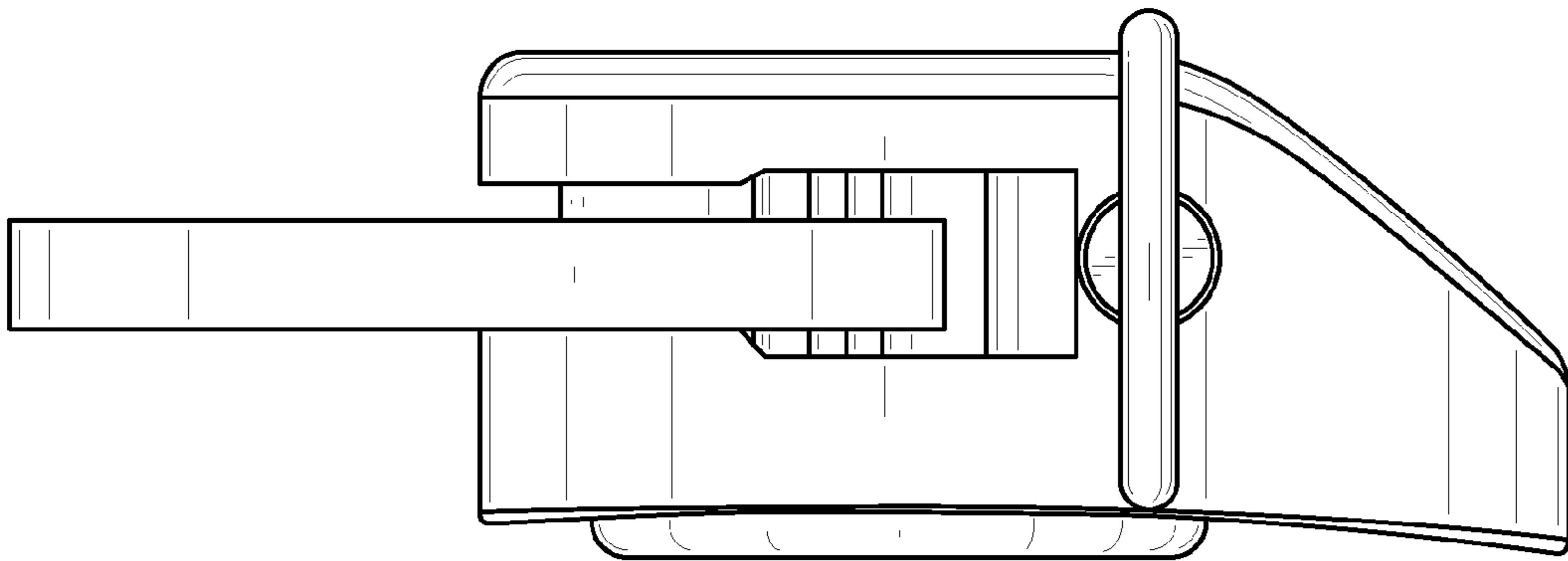


FIG. 7