



US00D634478S

(12) **United States Design Patent**  
**Kolas et al.**

(10) **Patent No.:** **US D634,478 S**  
(45) **Date of Patent:** **\*\* Mar. 15, 2011**

(54) **COSMETIC PACKAGE**

(75) Inventors: **Robyn Beth Nathanson Kolas**, Hunt Valley, MD (US); **Erin Leigh-Syth McMillan**, Baltimore, MD (US)

(73) Assignee: **The Procter & Gamble Company**, Cincinnati, OH (US)

(\*\*) Term: **14 Years**

(21) Appl. No.: **29/357,147**

(22) Filed: **Mar. 8, 2010**

(51) **LOC (9) Cl.** ..... **28-03**

(52) **U.S. Cl.** ..... **D28/86; D28/77; D28/89**

(58) **Field of Classification Search** ..... D28/7, D28/76, 85-90; 401/17, 18, 202, 126-130, 401/199, 206; D9/503-504, 529; 206/385, 206/823, 581; D19/36; 132/317, 318, 320  
See application file for complete search history.

(56) **References Cited**

**U.S. PATENT DOCUMENTS**

D299,973 S \* 2/1989 Campello et al. .... D28/7  
(Continued)

**FOREIGN PATENT DOCUMENTS**

DE 040703880.0002 12/2007  
(Continued)

**OTHER PUBLICATIONS**

Avon Mark Lip Tintmarker ; Jul. 18, 2006; www.gnpd.com, 2 pages.  
(Continued)

*Primary Examiner* — Jennifer Rivard

(74) *Attorney, Agent, or Firm* — Megan C. Hymore; John G. Powell

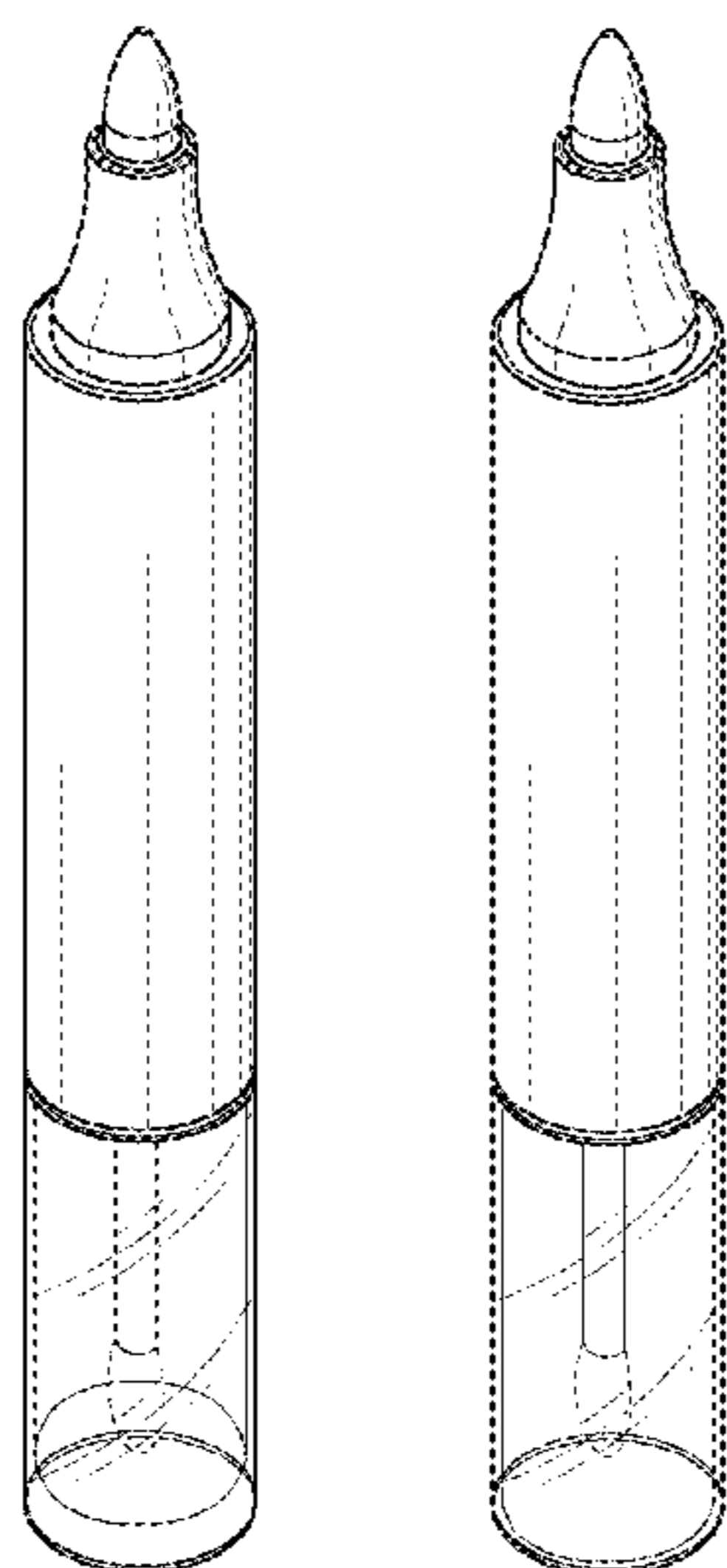
(57) **CLAIM**

The ornamental design for a cosmetic package, as shown and described.

**DESCRIPTION**

FIG. 1 is a perspective front view of a cosmetic package, embodying the new design;  
FIG. 2 is a front view of the design shown in FIG. 1; and  
FIG. 3 is a back view of the design shown in FIG. 1.  
FIG. 4 is a right side view of the design shown in FIG. 1;  
FIG. 5 is a left side view of the design shown in FIG. 1;  
FIG. 6 is a top view of the design shown in FIG. 1;  
FIG. 7 is a bottom view of the design shown in FIG. 1;  
FIG. 8 is a perspective front view of another embodiment of a cosmetic package, embodying the new design;  
FIG. 9 is a front view of the design shown in FIG. 8;  
FIG. 10 is a back view of the design shown in FIG. 8;  
FIG. 11 is a right side view of the design shown in FIG. 8;  
FIG. 12 is a left side view of the design shown in FIG. 8;  
FIG. 13 is a top view of the design shown in FIG. 8; and  
FIG. 14 is a bottom view of the design shown in FIG. 8.  
FIG. 15 is a perspective front view of another embodiment of a cosmetic package, embodying the new design;  
FIG. 16 is a front view of the design shown in FIG. 15;  
FIG. 17 is a back view of the design shown in FIG. 15;  
FIG. 18 is a right side view of the design shown in FIG. 15;  
FIG. 19 is a left side view of the design shown in FIG. 15;  
FIG. 20 is a top view of the design shown in FIG. 15; and  
FIG. 21 is a bottom view of the design shown in FIG. 15.  
FIG. 22 is a perspective front view of another embodiment of a cosmetic package, embodying the new design;  
FIG. 23 is a front view of the design shown in FIG. 22;  
FIG. 24 is a back view of the design shown in FIG. 22;  
FIG. 25 is a right side view of the design shown in FIG. 22;  
FIG. 26 is a left side view of the design shown in FIG. 22;  
FIG. 27 is a top view of the design shown in FIG. 22; and,  
FIG. 28 is a bottom view of the design shown in FIG. 22.  
The broken lines in the drawings are for illustrative purposes only and form no part of the claimed design.

**1 Claim, 16 Drawing Sheets**



# US D634,478 S

Page 2

## U.S. PATENT DOCUMENTS

D370,088 S \* 5/1996 Burns ..... D28/86  
D411,035 S \* 6/1999 Welschoff ..... D28/85  
5,960,802 A 10/1999 Sakai  
6,200,045 B1 \* 3/2001 Hahn et al. .... 401/18  
6,276,853 B1 \* 8/2001 Breidenbach et al. .... 401/17  
6,503,016 B2 1/2003 Raps  
6,896,433 B1 5/2005 Zhang  
D507,680 S \* 7/2005 Py et al. .... D28/88  
D530,857 S 10/2006 Black  
7,175,359 B2 2/2007 Zhang  
D565,798 S \* 4/2008 Ivanova ..... D28/89  
D570,052 S \* 5/2008 Py et al. .... D28/89  
2003/0077103 A1 \* 4/2003 Kim ..... 401/68  
2004/0084343 A1 \* 5/2004 An ..... 206/385  
2004/0105716 A1 6/2004 Carlino  
2004/0234321 A1 \* 11/2004 Breidenbach et al. .... 401/17  
2006/0067906 A1 3/2006 Sanders  
2006/0153626 A1 \* 7/2006 Mook et al. .... 401/17  
2006/0165474 A1 \* 7/2006 Zhang et al. .... 401/17

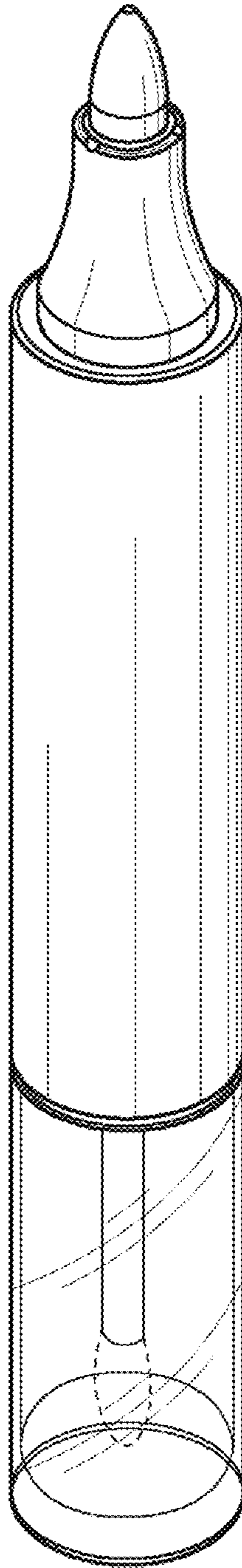
## FOREIGN PATENT DOCUMENTS

EM 000603808.0001 11/2006  
EM 000759196.0001 7/2007  
GB 000002198037 A 6/1988  
WO WO000014434.0001 10/1989  
WO WO000036005.0001 5/1996  
WO WO000042185.0001 2/1998  
WO WO000061332.0001 10/2002

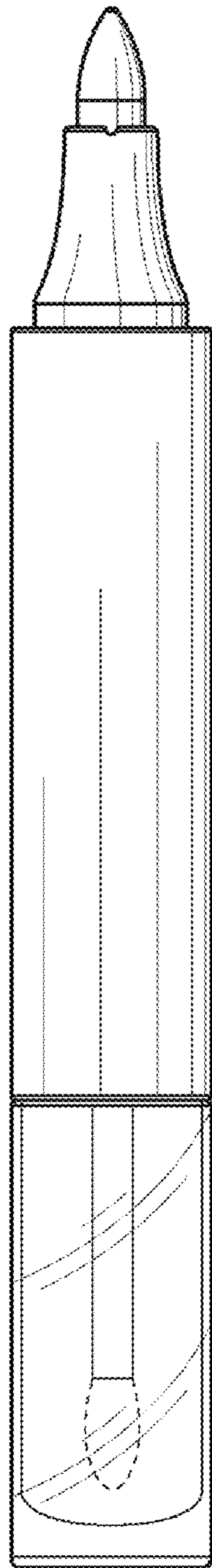
## OTHER PUBLICATIONS

Avon Mark Tattoo Kiss Superfaithful Lipcolor ; Mar. 3, 2006; www.gnpd.com, 1 page.  
Bourjois Lip Stain Pen; Jun. 12, 2006; www.gnpd.com, 2 pages.  
Stila Cosmetics , Lip Glaze (Mandarin Mist) Aug. 10, 2007, www.gnpd.com, 1 page.  
Yves Saint Laurent Lip Marker, Jun. 13, 2003, www.gnpd.com, 1 page.

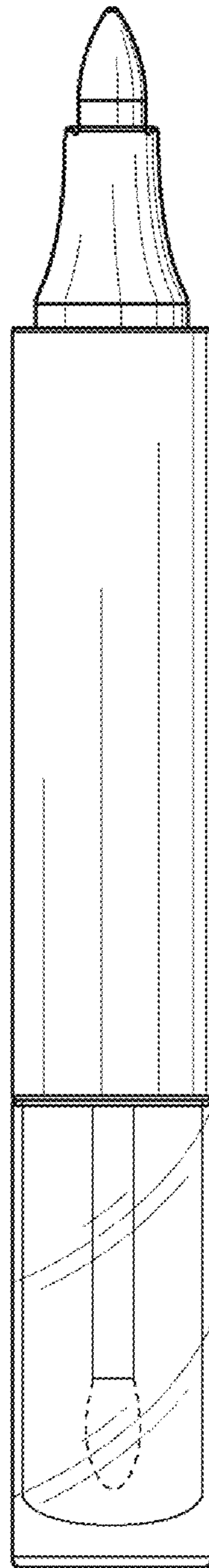
\* cited by examiner



**Fig. 1**

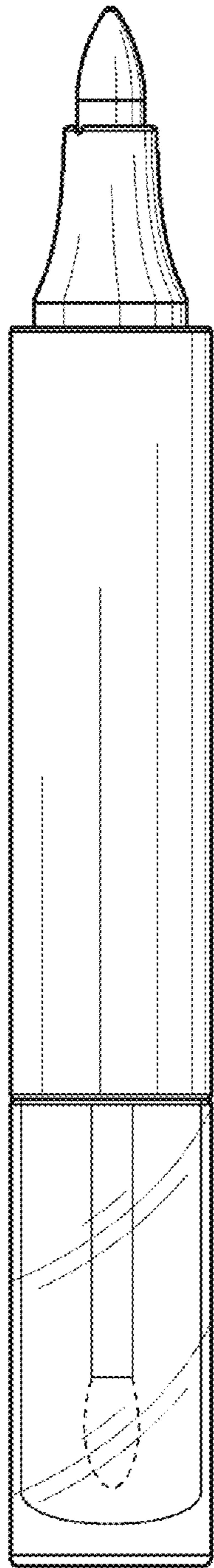


**Fig. 2**

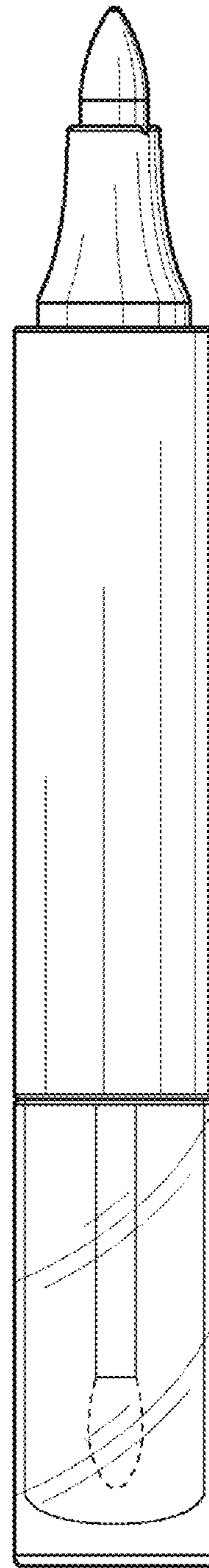


**Fig. 3**

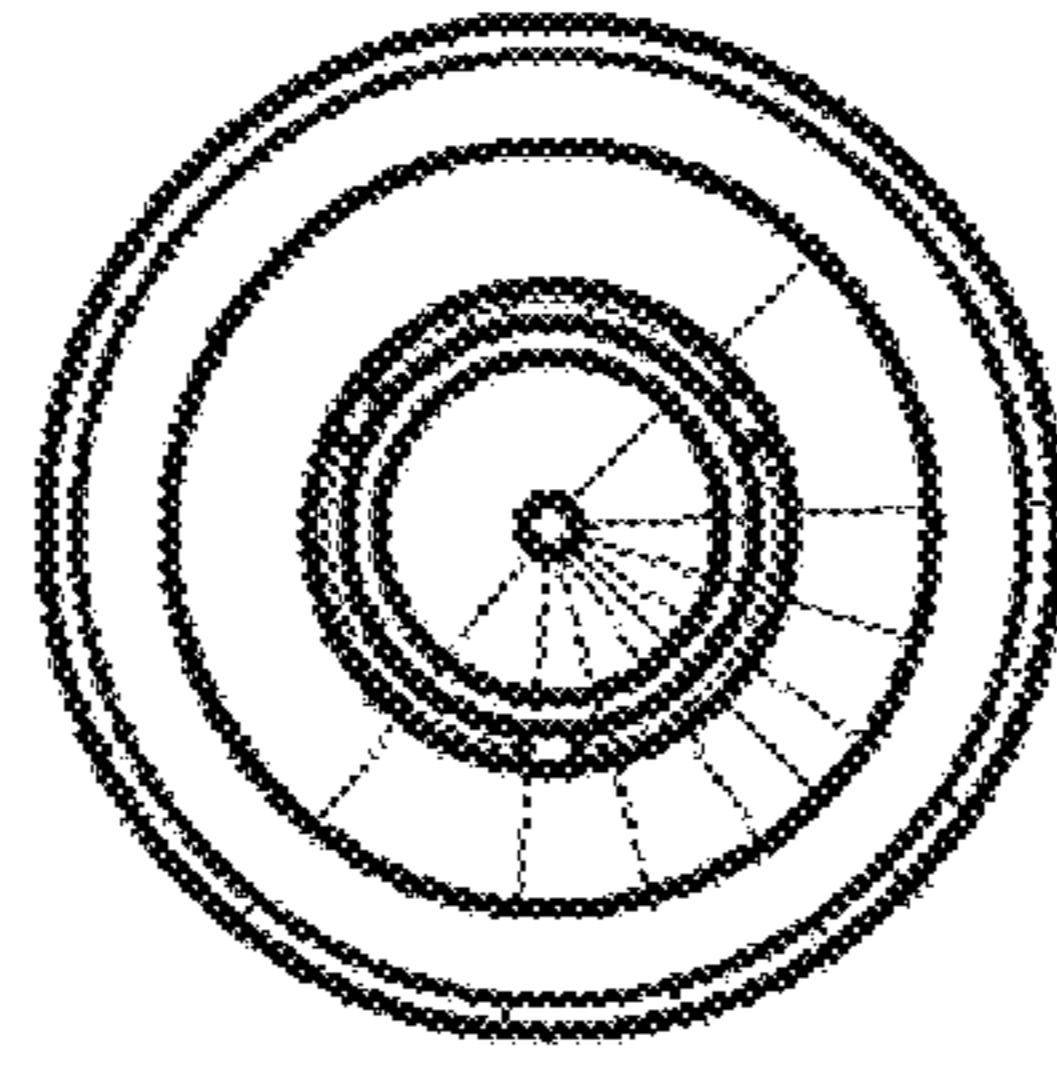




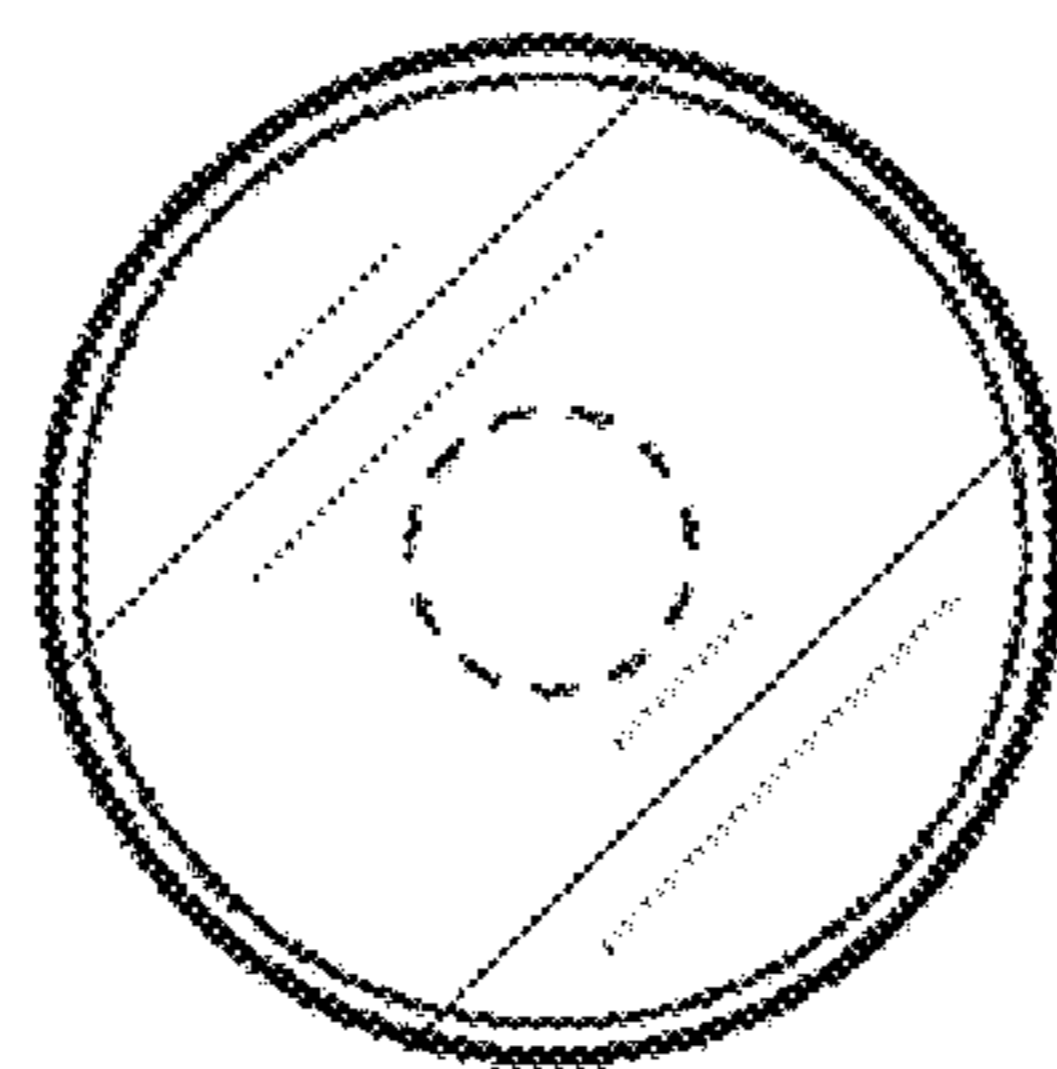
**Fig. 4**



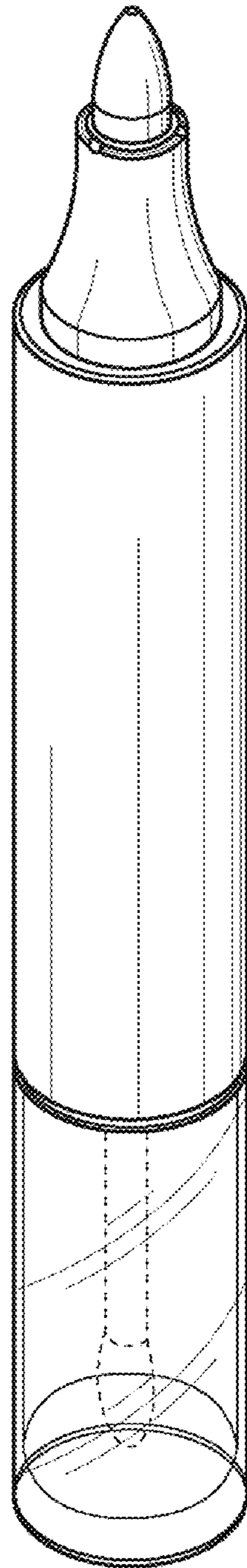
**Fig. 5**



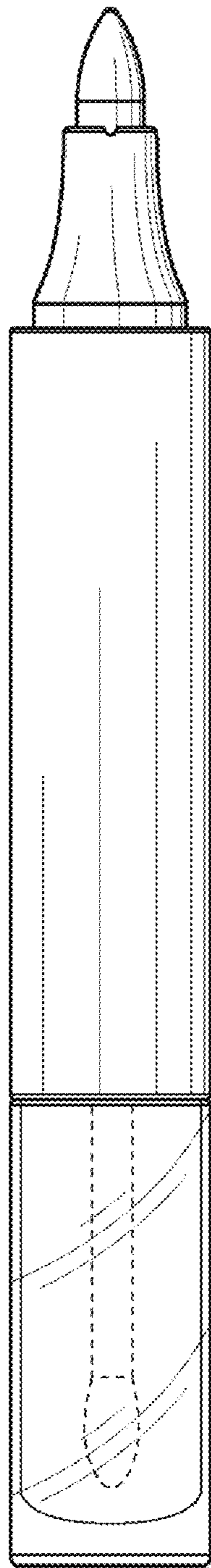
**Fig. 6**



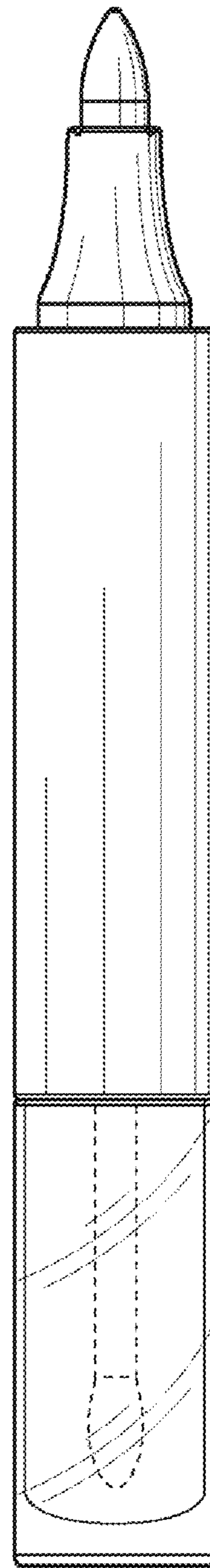
**Fig. 7**



**Fig. 8**

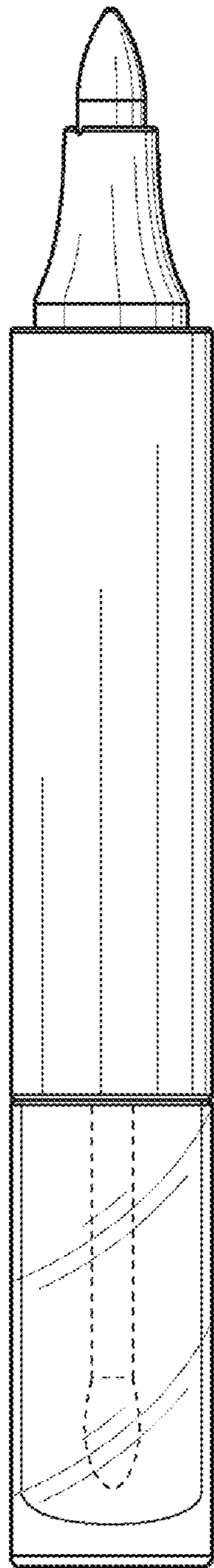


**Fig. 9**

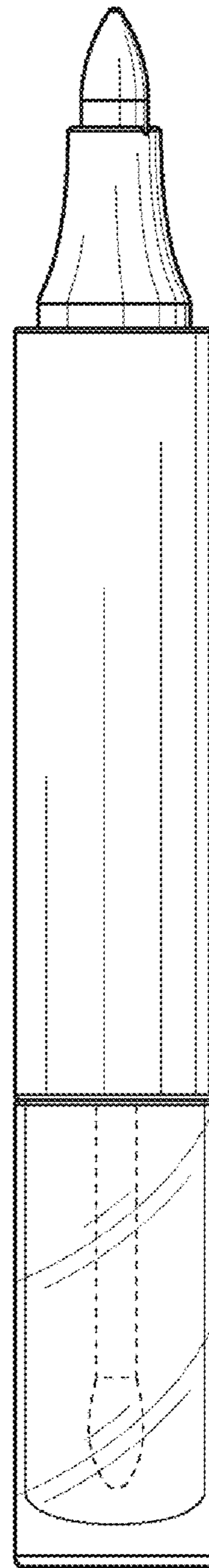


**Fig. 10**

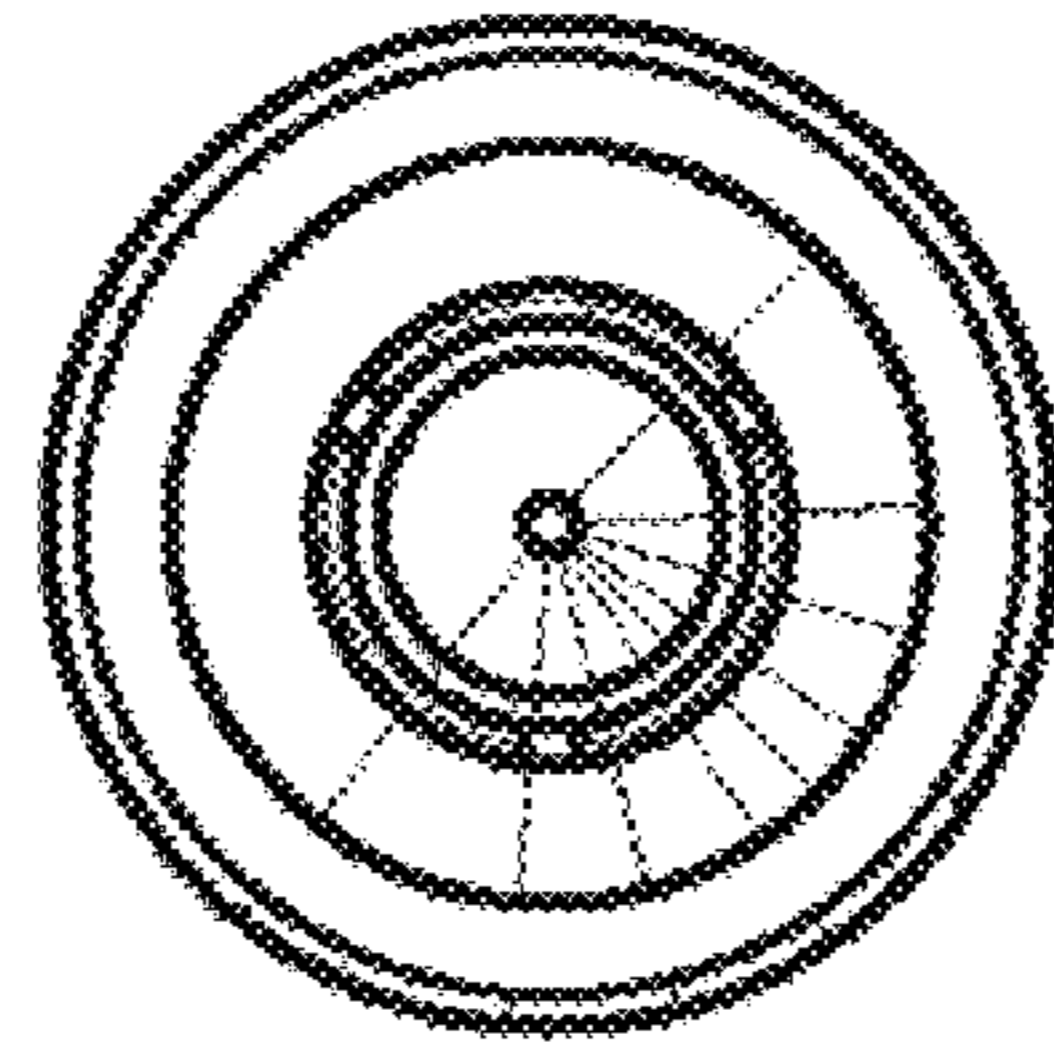




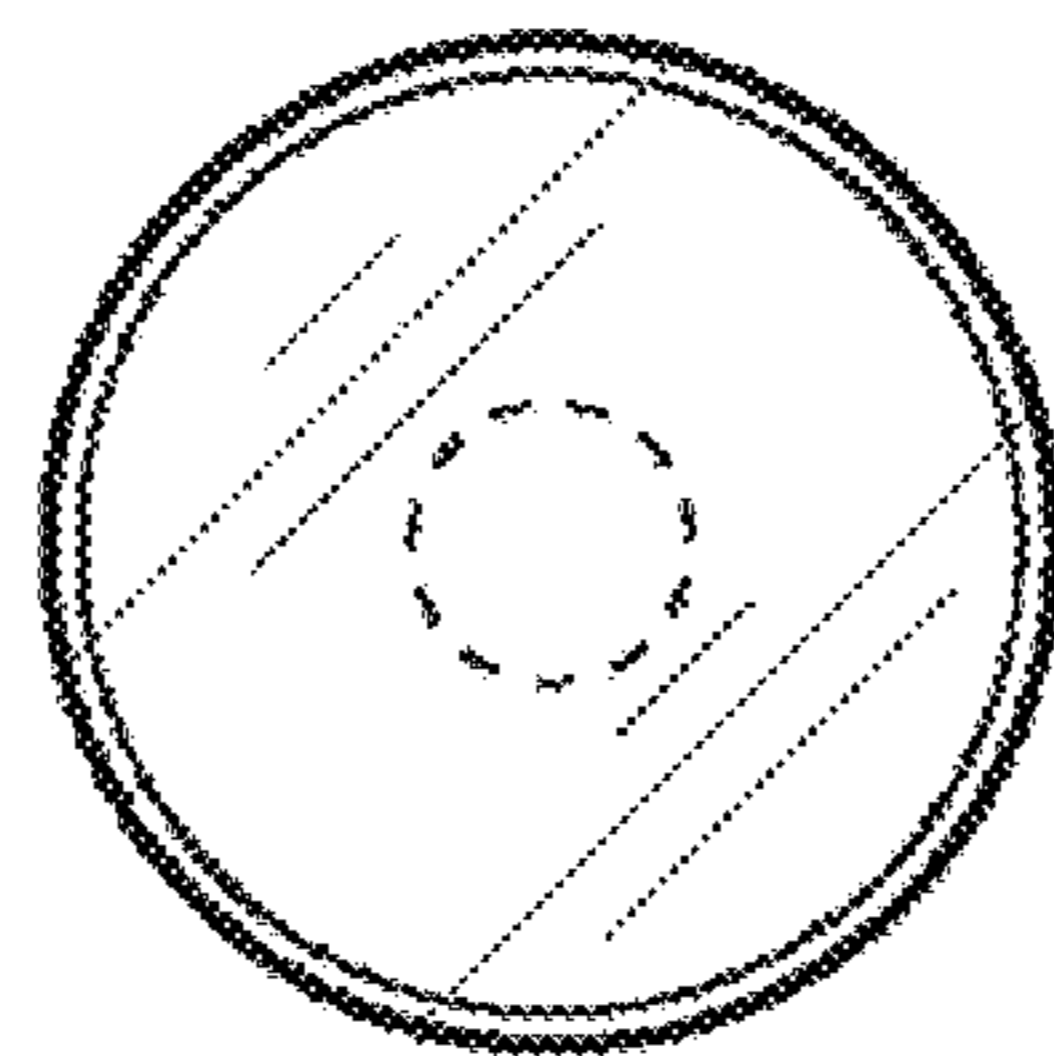
**Fig. 11**



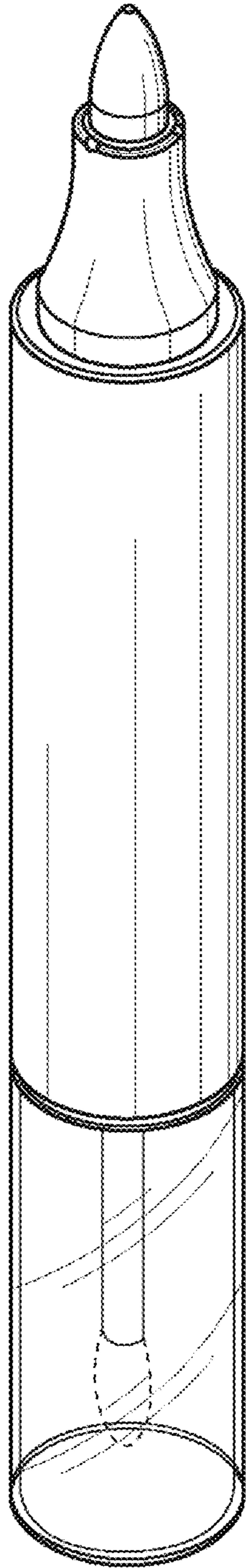
**Fig. 12**



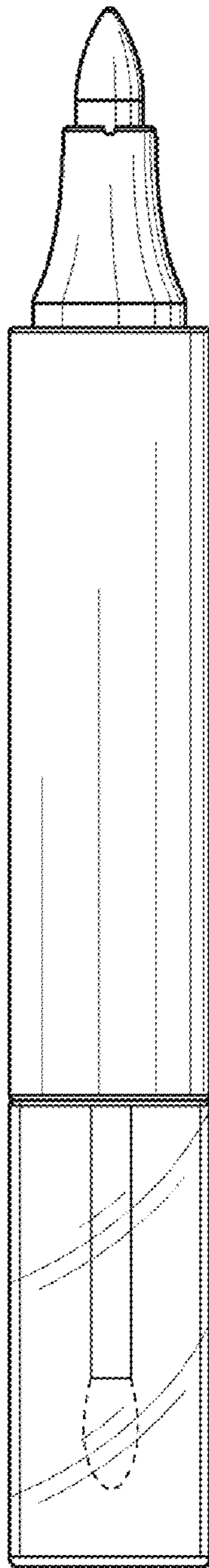
**Fig. 13**



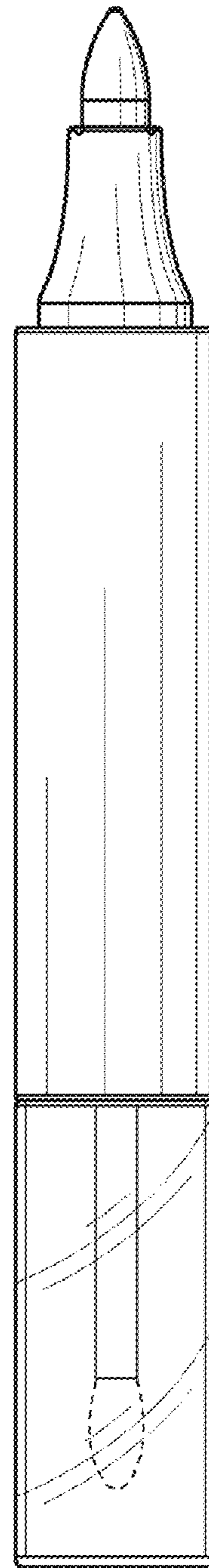
**Fig. 14**



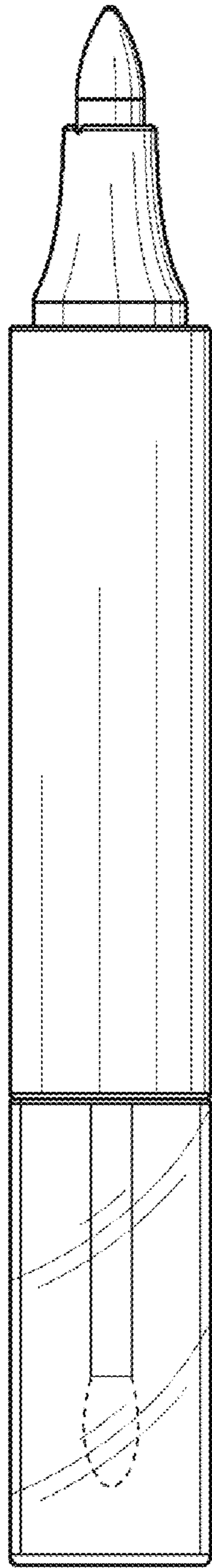
**Fig. 15**



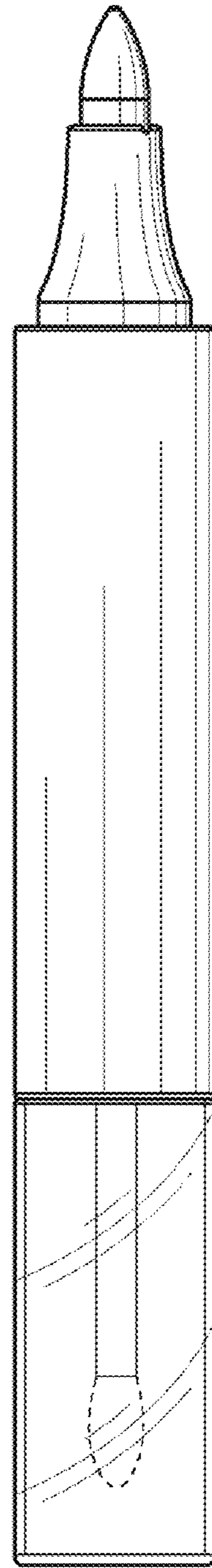
**Fig. 16**



**Fig. 17**

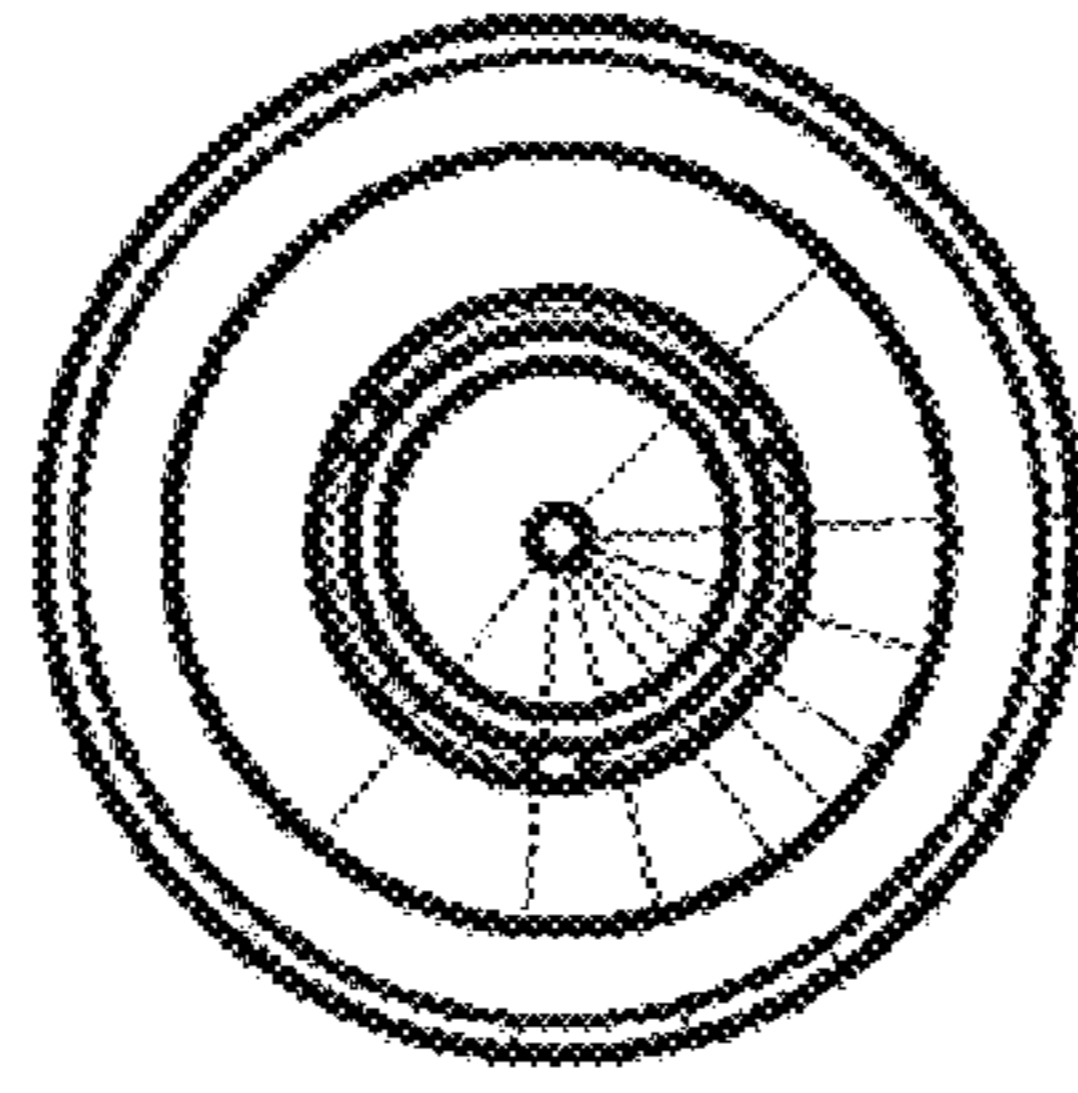


**Fig. 18**

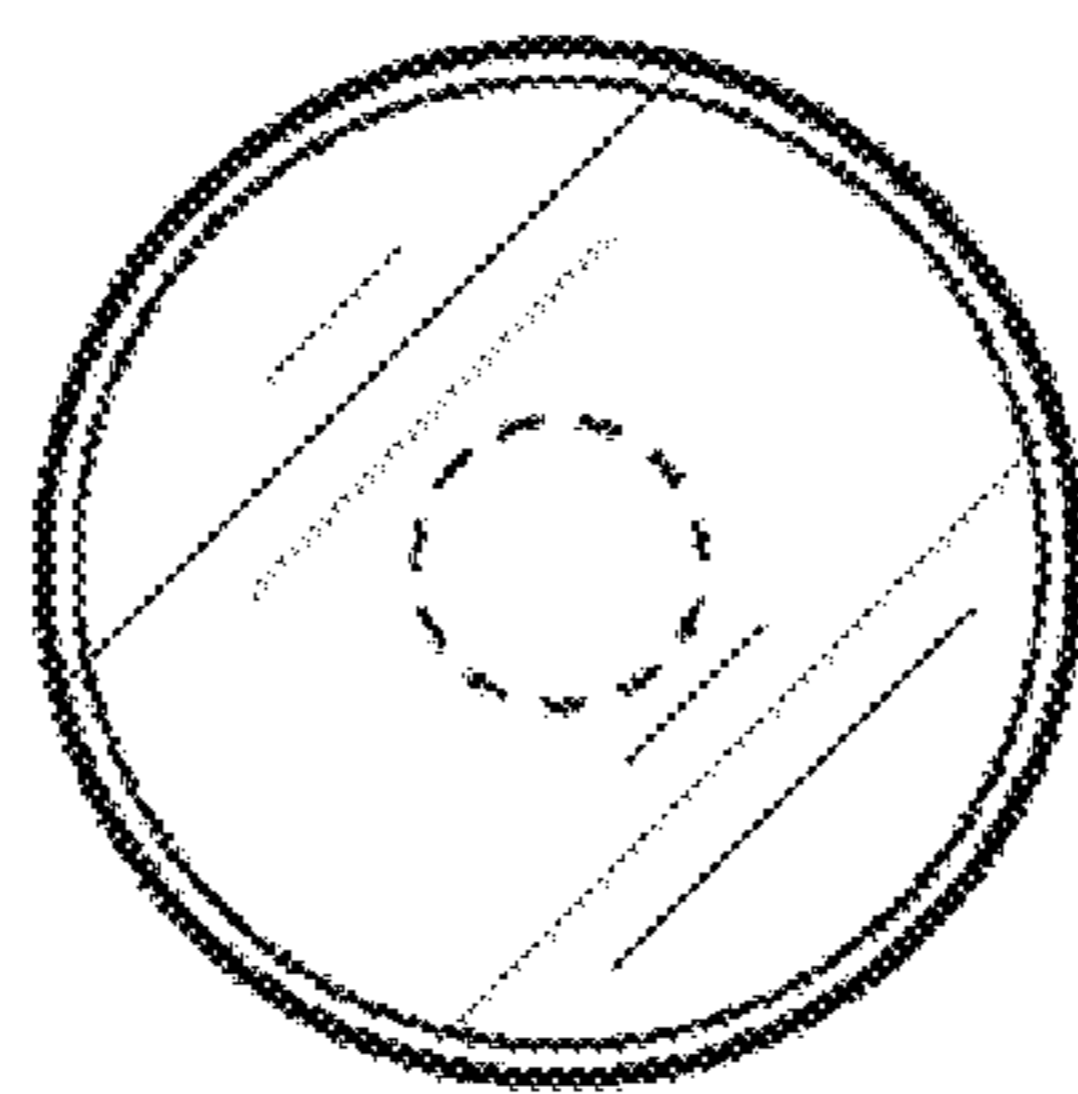


**Fig. 19**

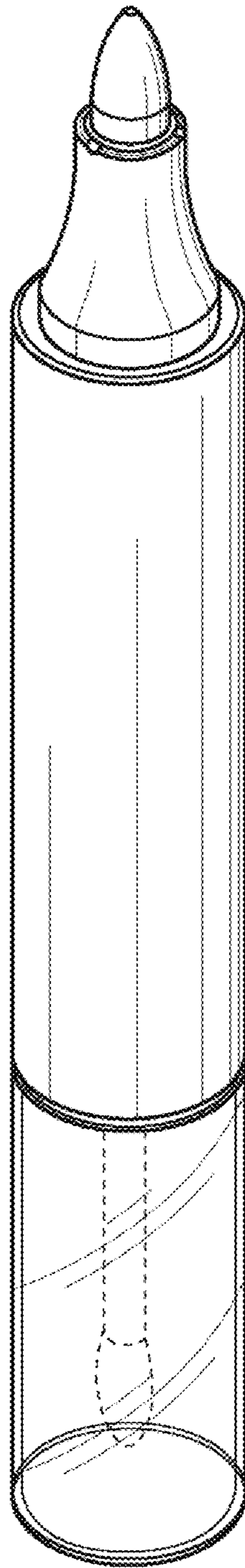




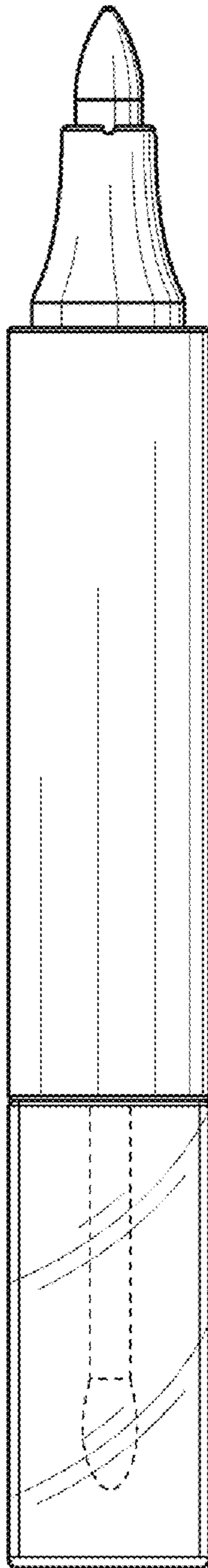
**Fig. 20**



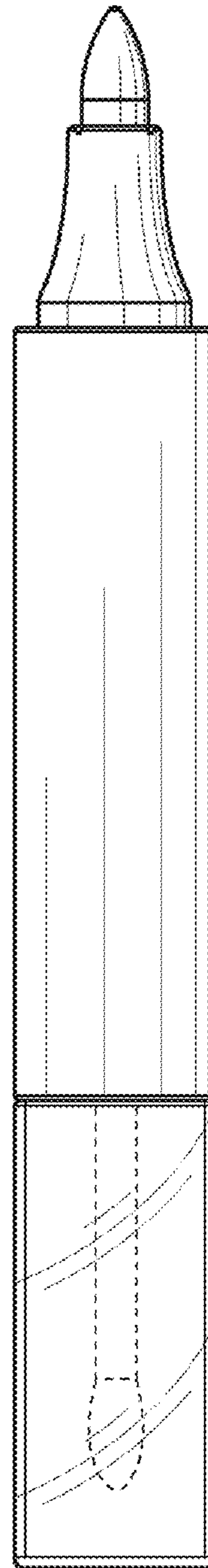
**Fig. 21**



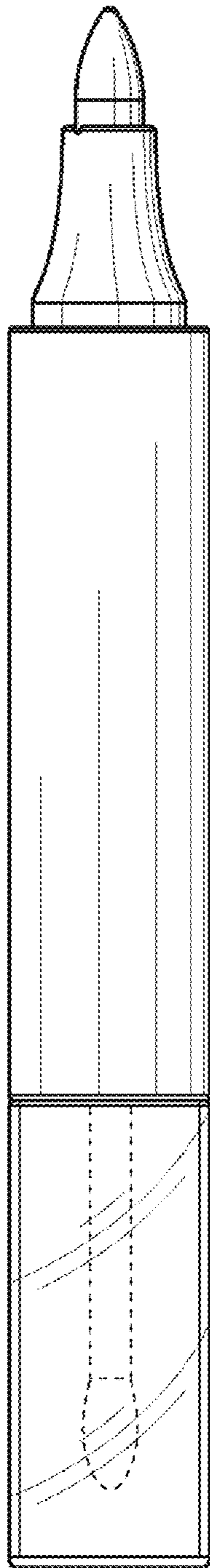
**Fig. 22**



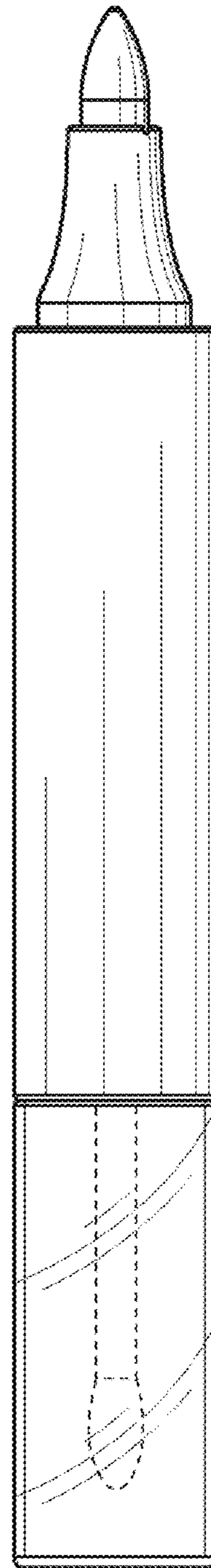
**Fig. 23**



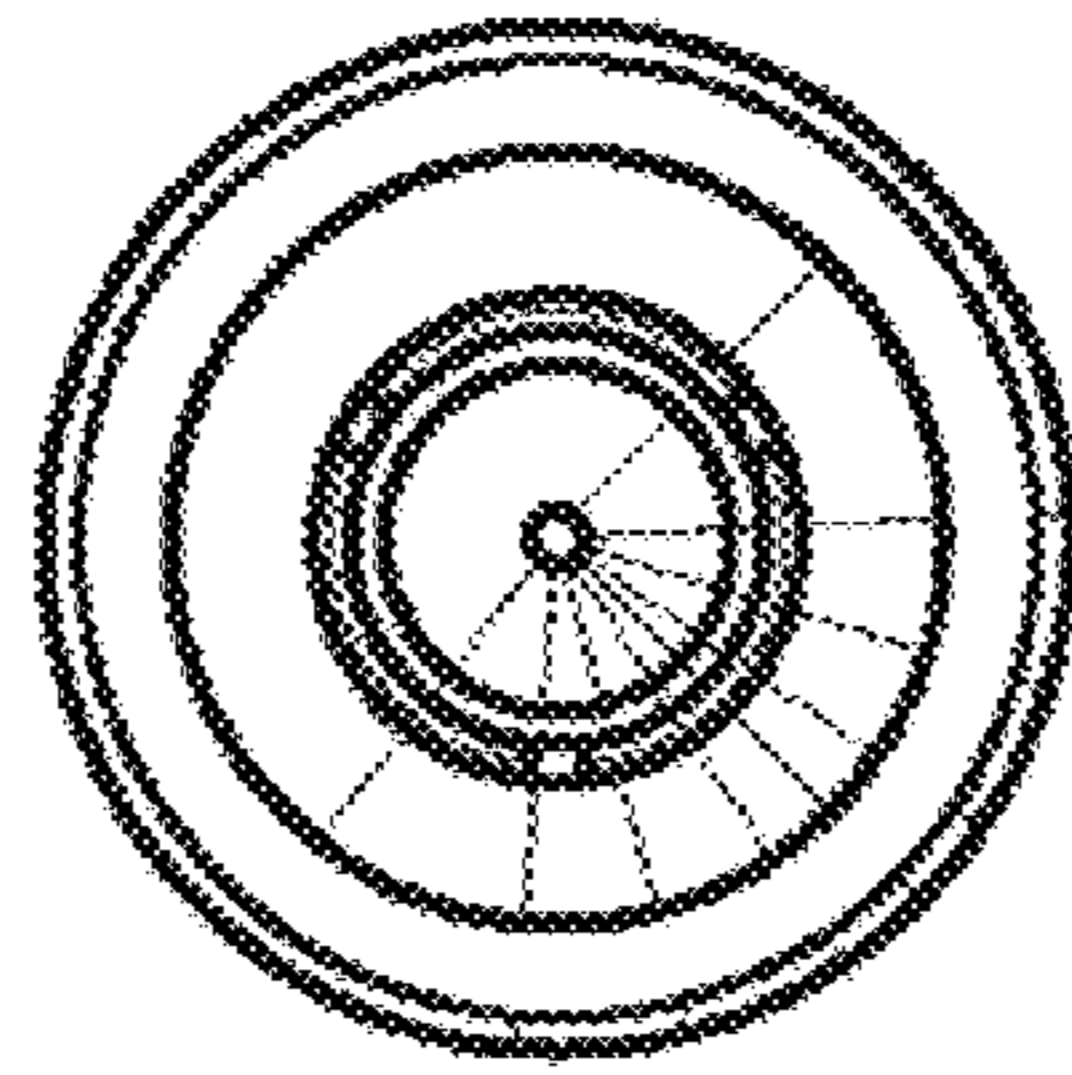
**Fig. 24**



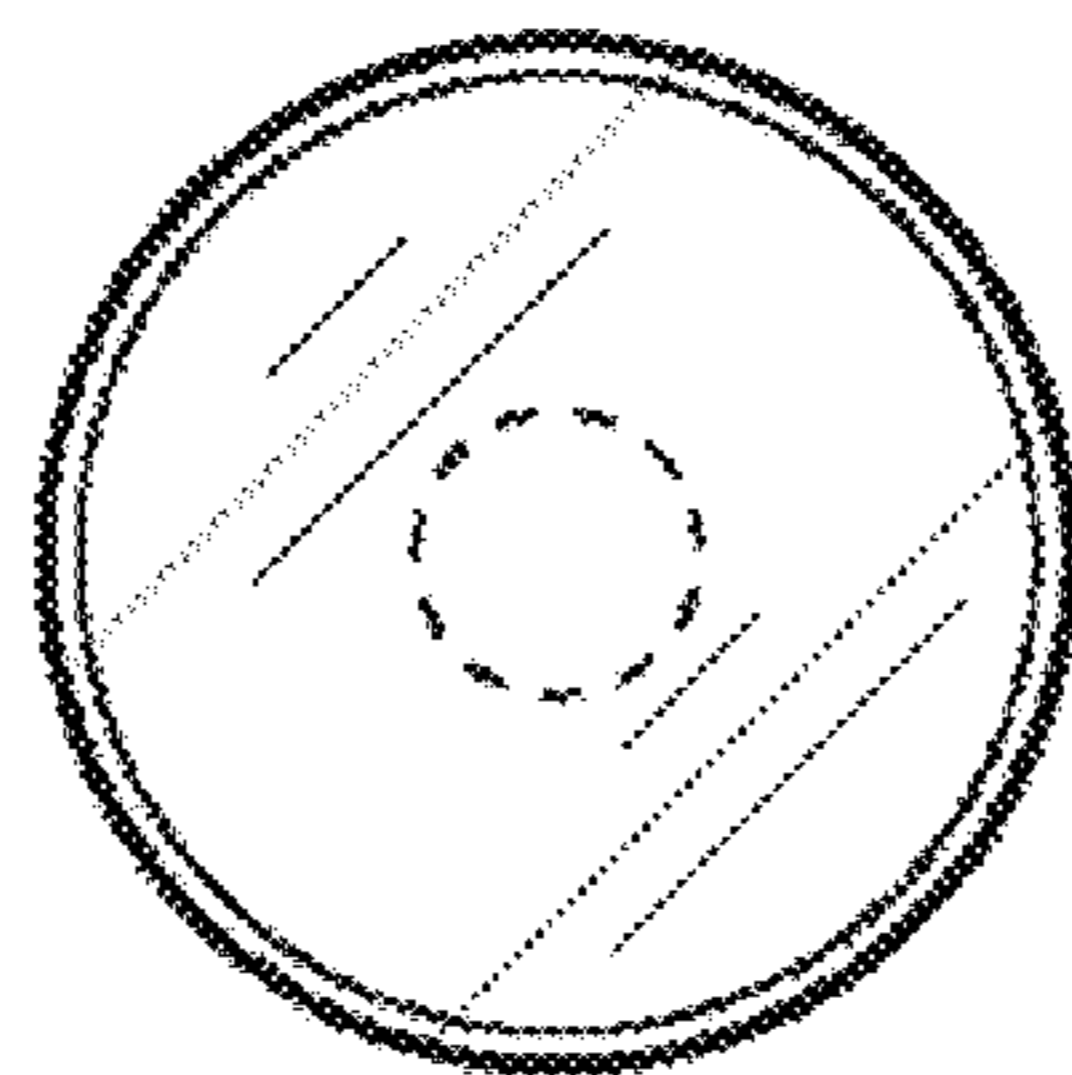
**Fig. 25**



**Fig. 26**



**Fig. 27**



**Fig. 28**