



US00D634477S

(12) **United States Design Patent**  
**Morabito**

(10) **Patent No.:** **US D634,477 S**  
(45) **Date of Patent:** **\*\* Mar. 15, 2011**

(54) **POWDER COMPACT**

(75) Inventor: **Ito Morabito**, Paris (FR)

(73) Assignee: **Guerlain Societe Anonyme**, Paris (FR)

(\*\*) Term: **14 Years**

(21) Appl. No.: **29/364,007**

(22) Filed: **Jun. 17, 2010**

(30) **Foreign Application Priority Data**

Dec. 17, 2009 (EM) ..... 001185128-0001

(51) **LOC (9) Cl.** ..... **28-03**

(52) **U.S. Cl.** ..... **D28/82; D28/64.1**

(58) **Field of Classification Search** ..... 206/823,  
206/581; D28/73, 76-84, 64.1; 132/286-288,  
132/293-307, 314-316

See application file for complete search history.

(56) **References Cited**

**U.S. PATENT DOCUMENTS**

D411,649 S \* 6/1999 Bakic ..... D28/82  
D439,376 S \* 3/2001 Lerolle ..... D28/82  
D498,024 S \* 11/2004 Leppla et al. .... D28/82  
D554,292 S \* 10/2007 Thorpe ..... D28/82  
D578,711 S \* 10/2008 Burrow et al. .... D28/82

D580,598 S \* 11/2008 Yamada et al. .... D28/82  
D599,958 S \* 9/2009 Washington ..... D28/82  
D621,547 S \* 8/2010 Wirgler et al. .... D28/82

\* cited by examiner

*Primary Examiner* — Jennifer Rivard

(74) *Attorney, Agent, or Firm* — Stites & Harbison PLLC;  
Douglas E. Jackson

(57) **CLAIM**

The ornamental design for a powder compact, as shown and described.

**DESCRIPTION**

FIG. 1 is top view showing the new design in a closed position.

FIG. 2 is a bottom view thereof.

FIG. 3 is a front view thereof.

FIG. 4 is a perspective top, front and left side view thereof.

FIG. 5 is a perspective top and left side view thereof with the hinged cover in an open position.

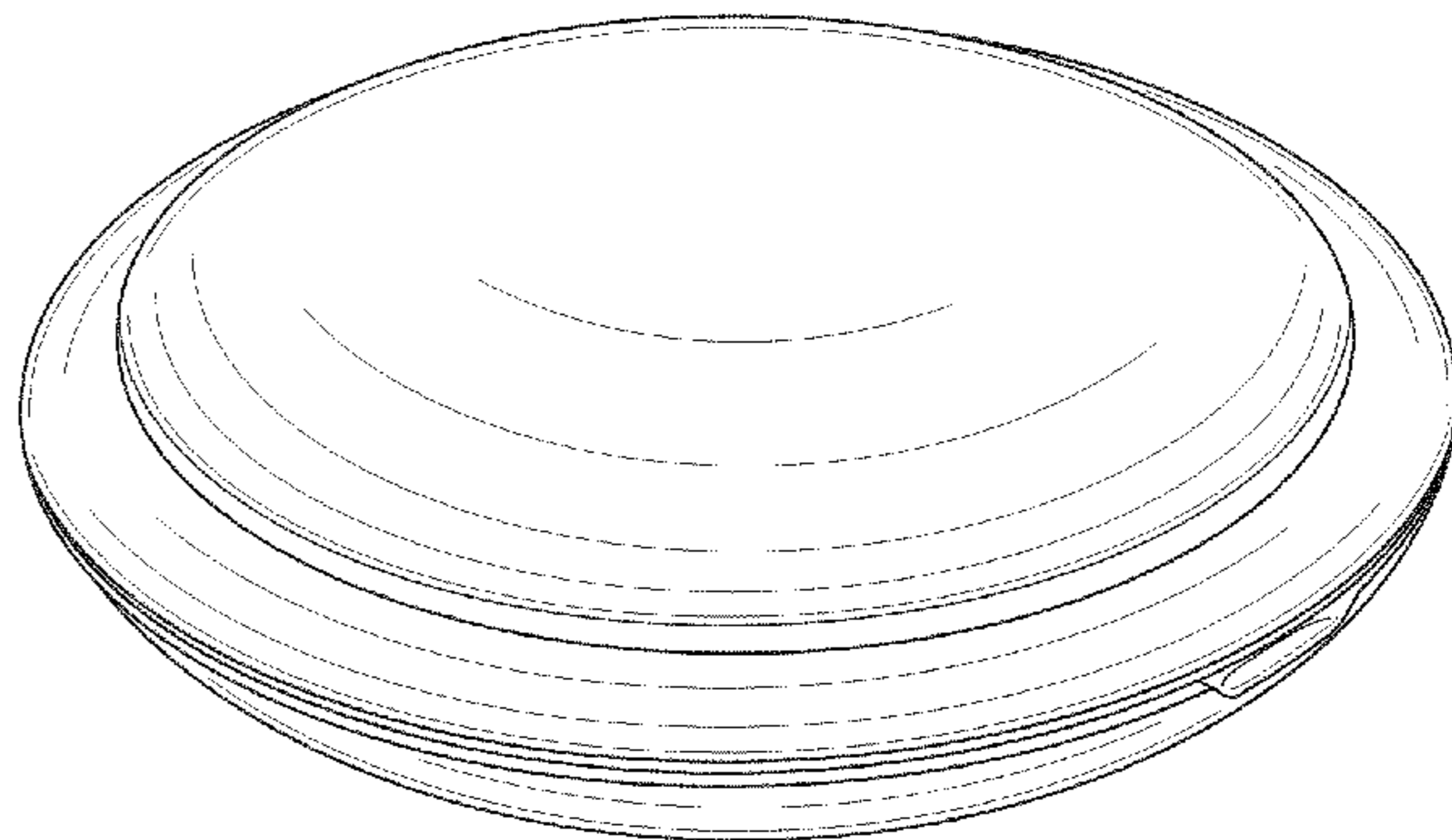
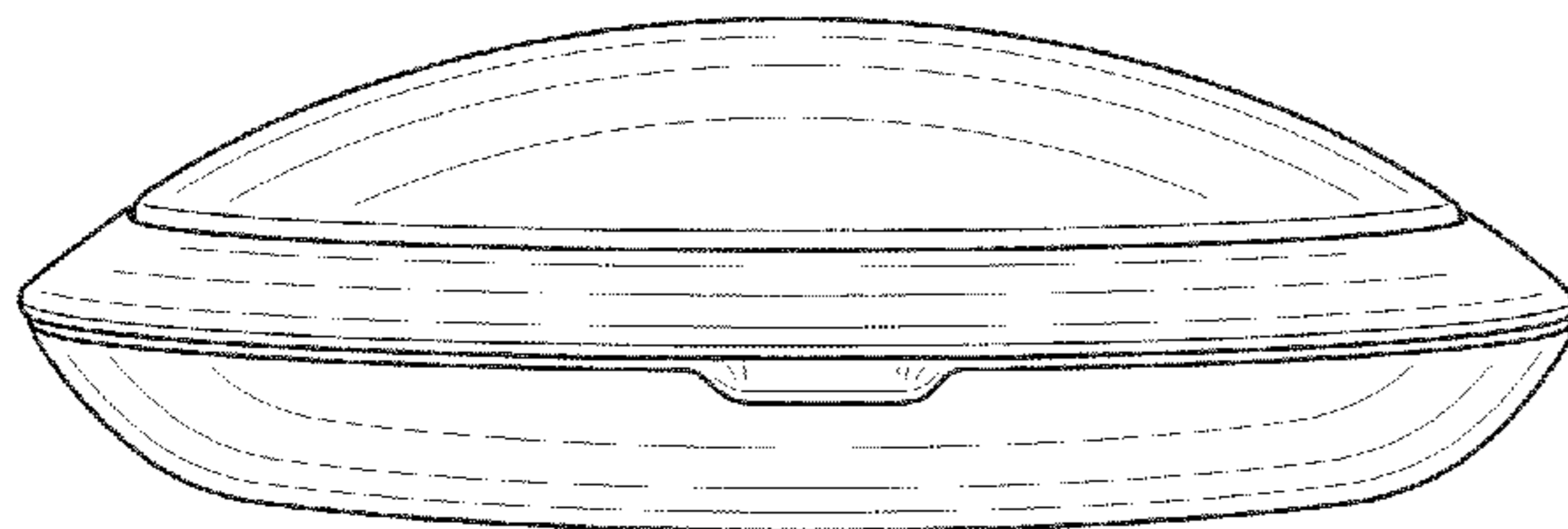
FIG. 6 is perspective top, front and left side view thereof with the hinged cover in an open position.

FIG. 7 is a perspective top and front view thereof with the hinged cover in an open position; and,

FIG. 8 is a perspective top and rear view thereof with the hinged cover in an open position.

The broken lines shown in the drawings illustrate portions of the article and form no part of the claimed design.

**1 Claim, 4 Drawing Sheets**



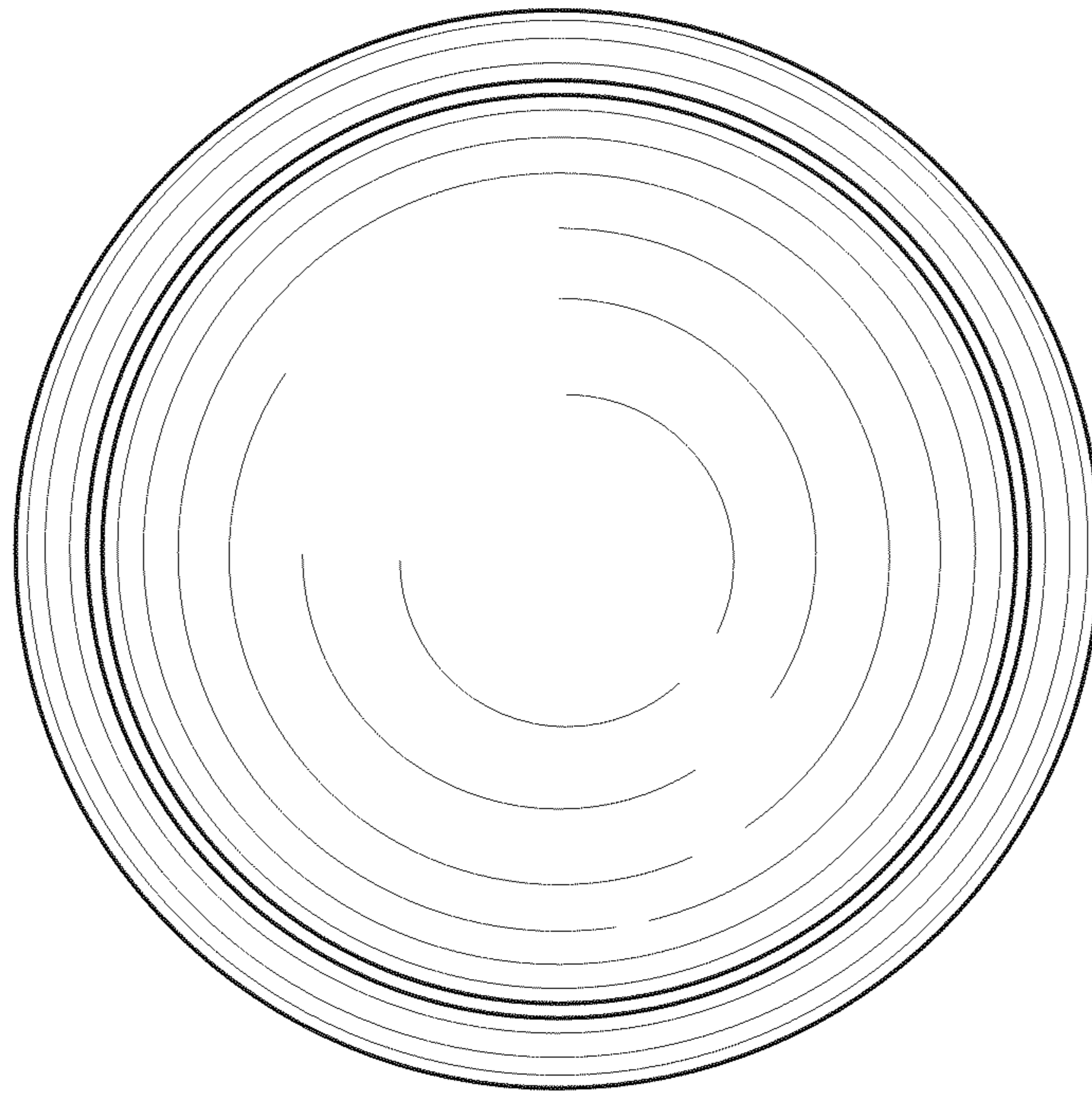


FIG. 1

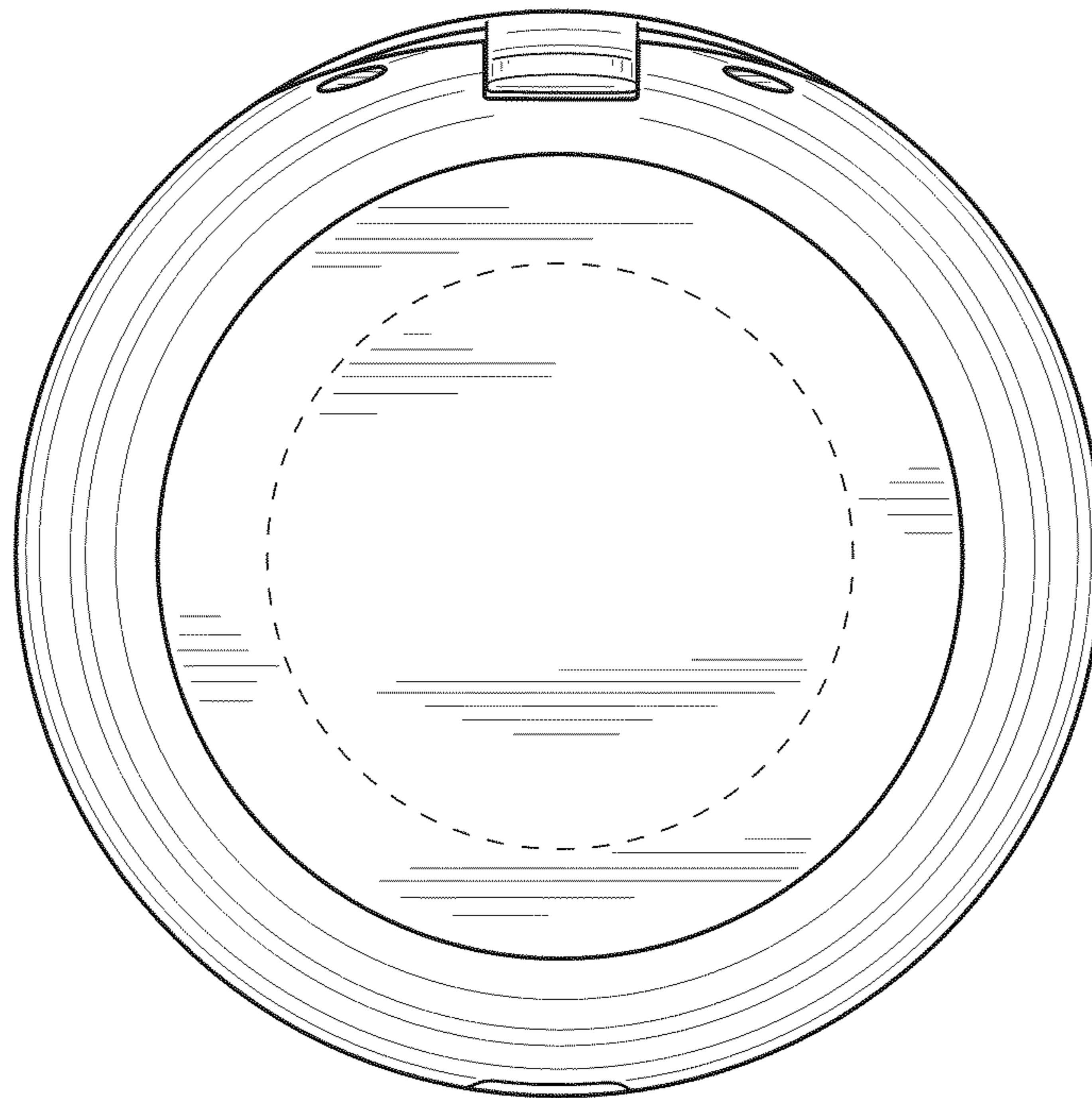


FIG. 2

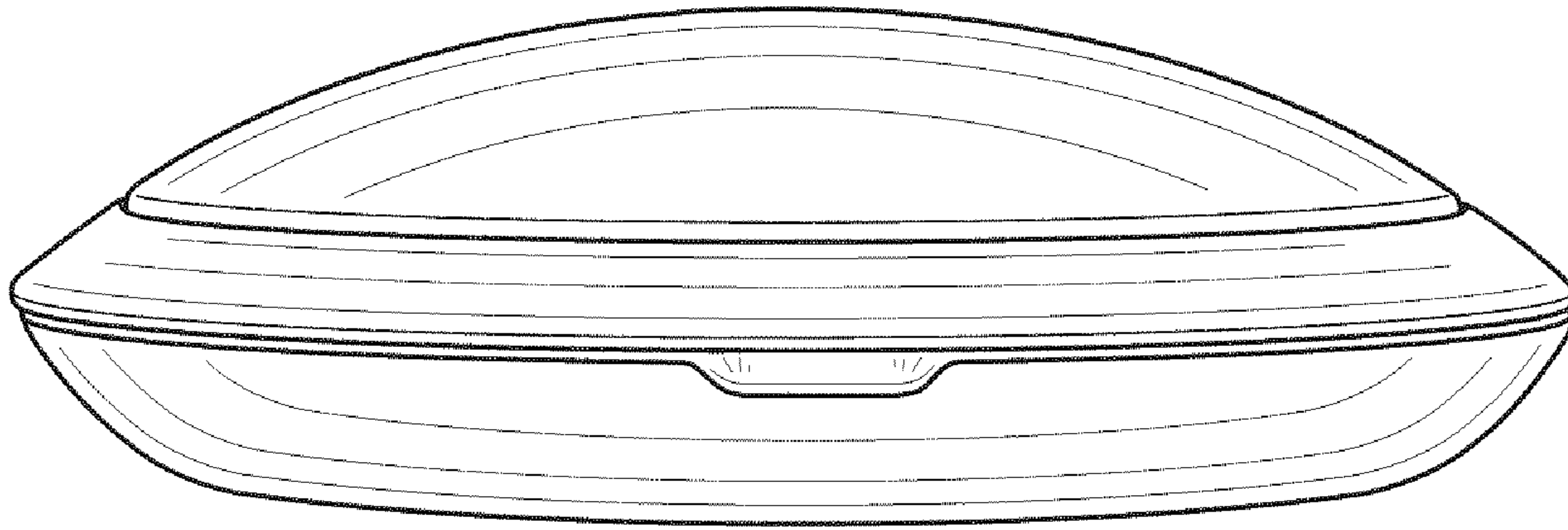


FIG. 3

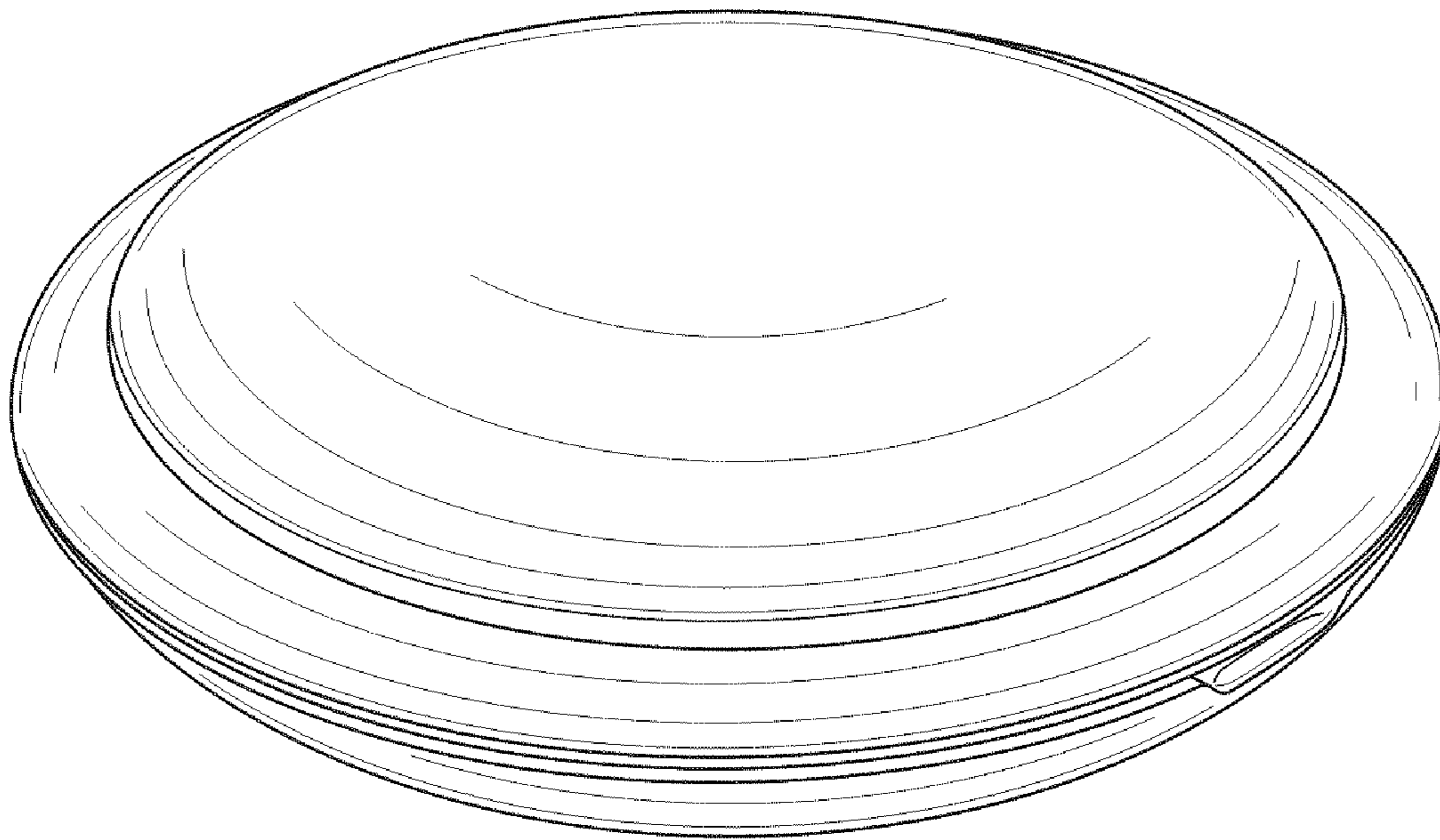


FIG. 4

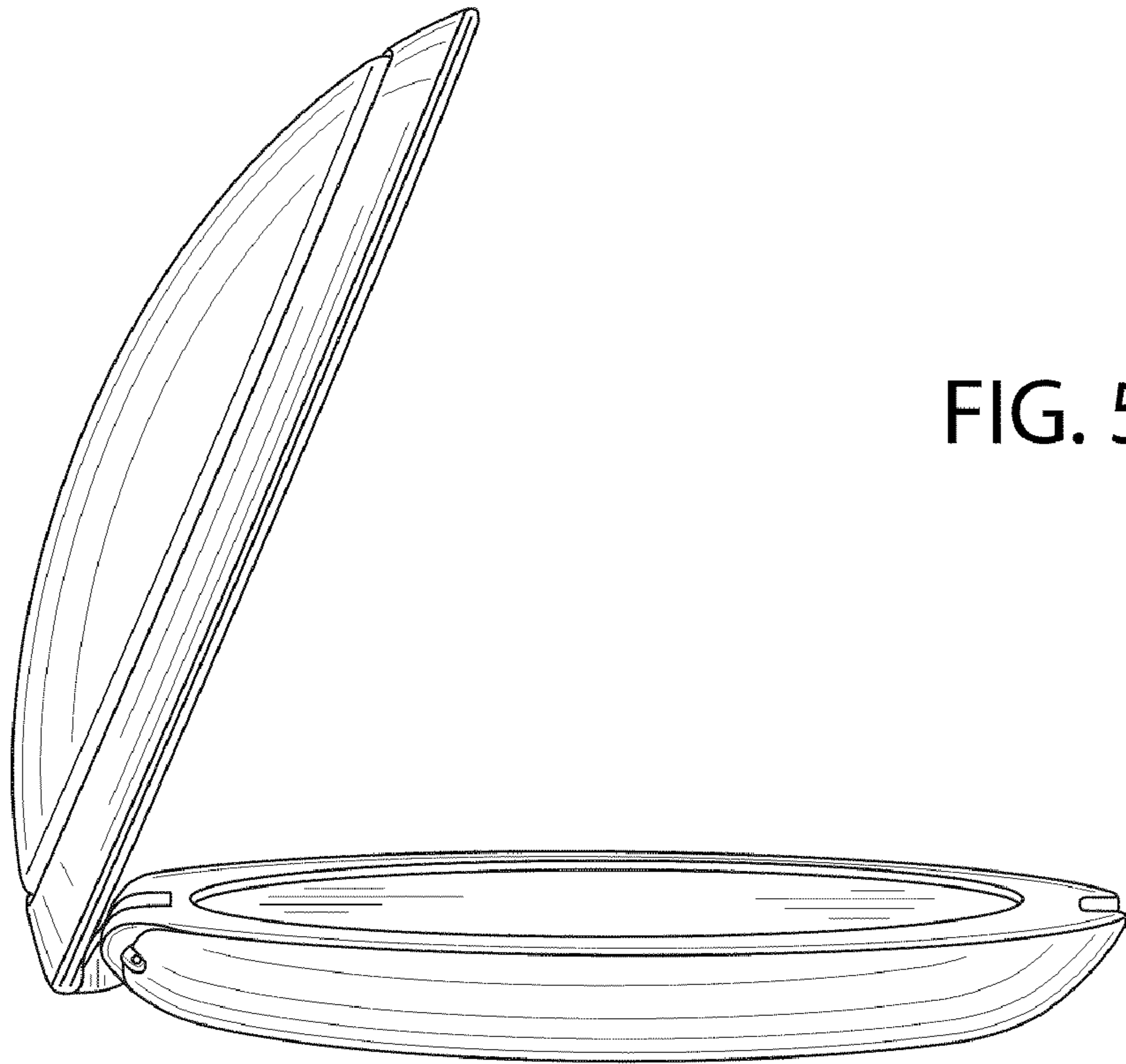


FIG. 5

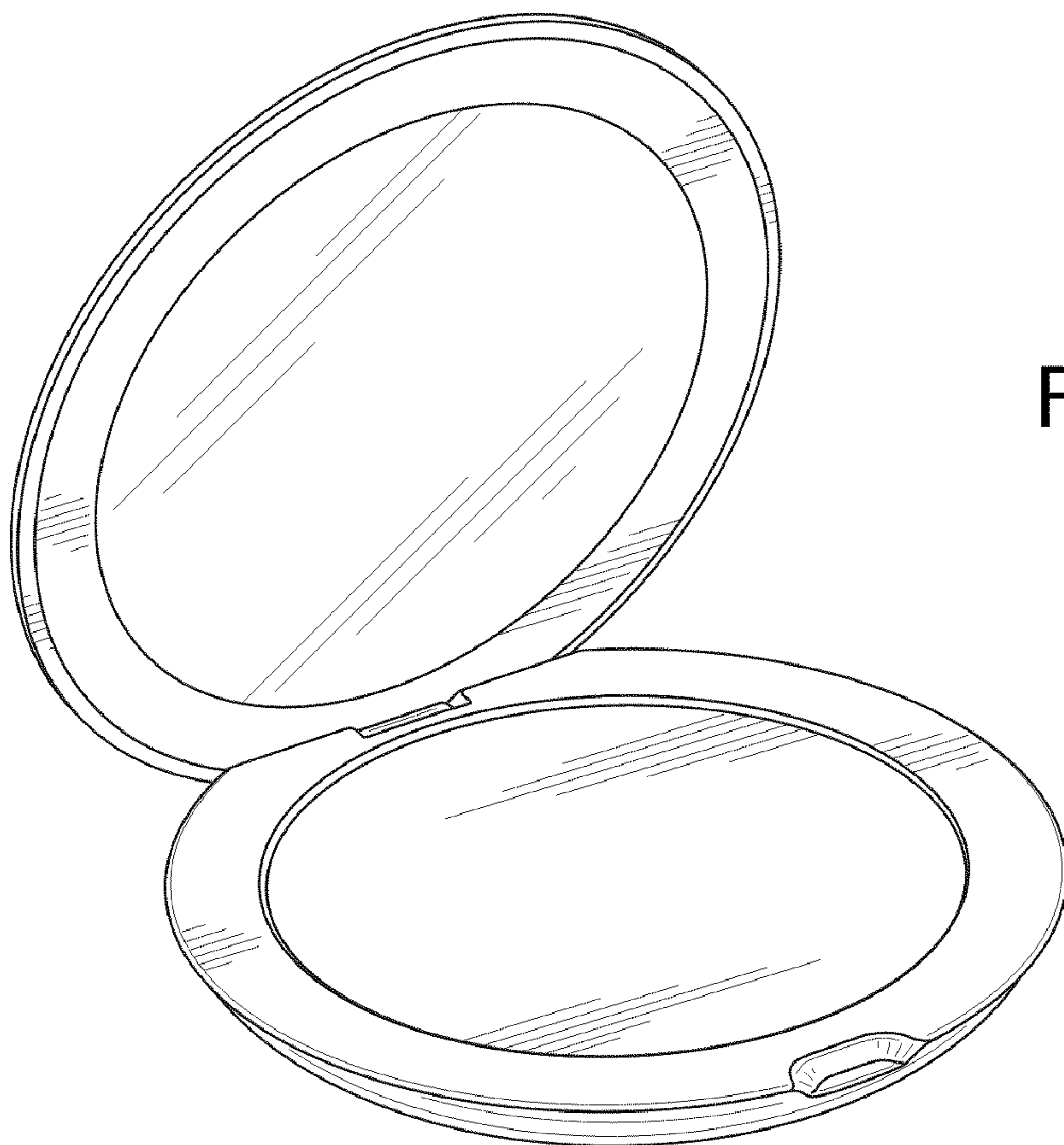


FIG. 6

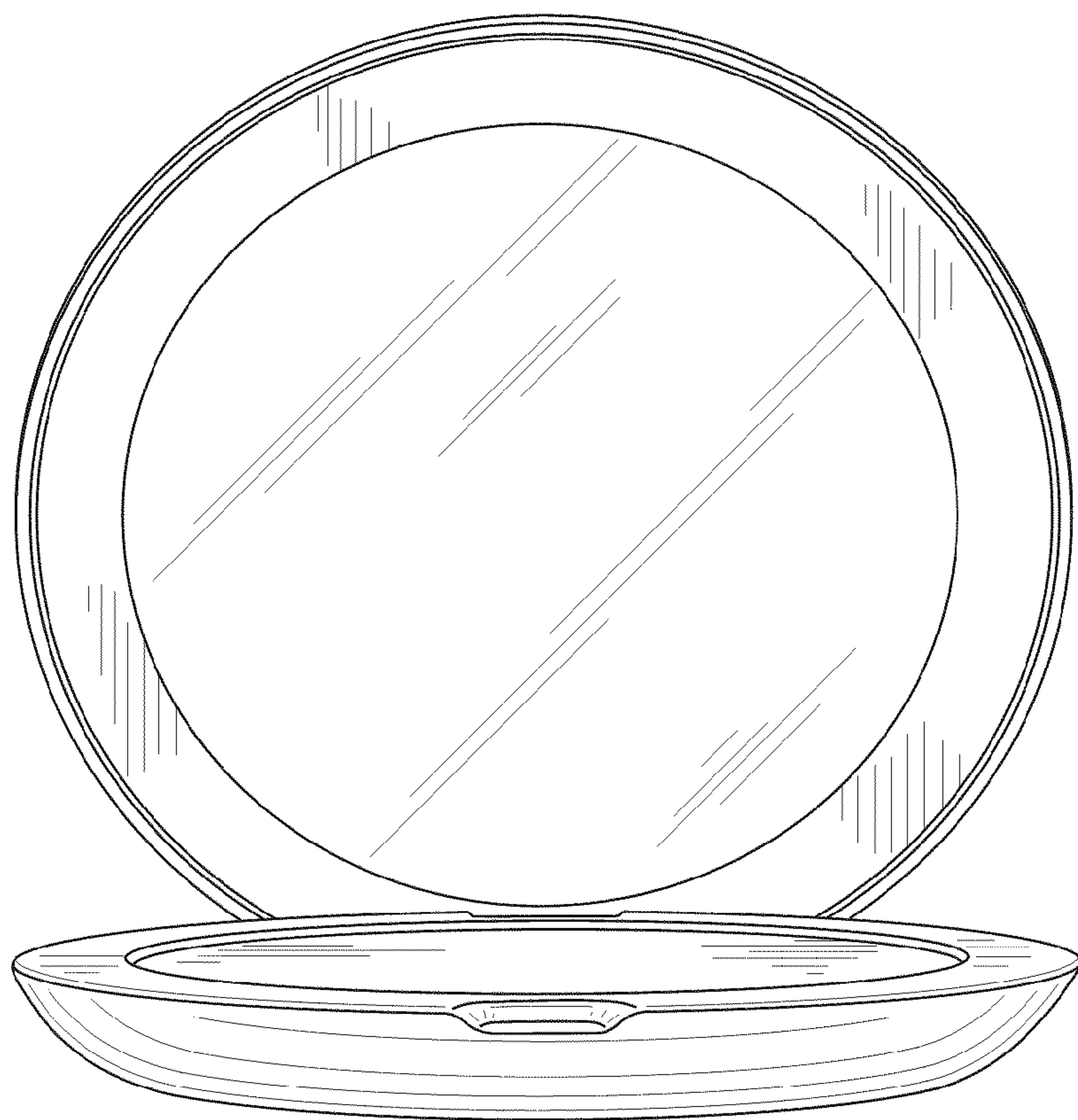


FIG. 7

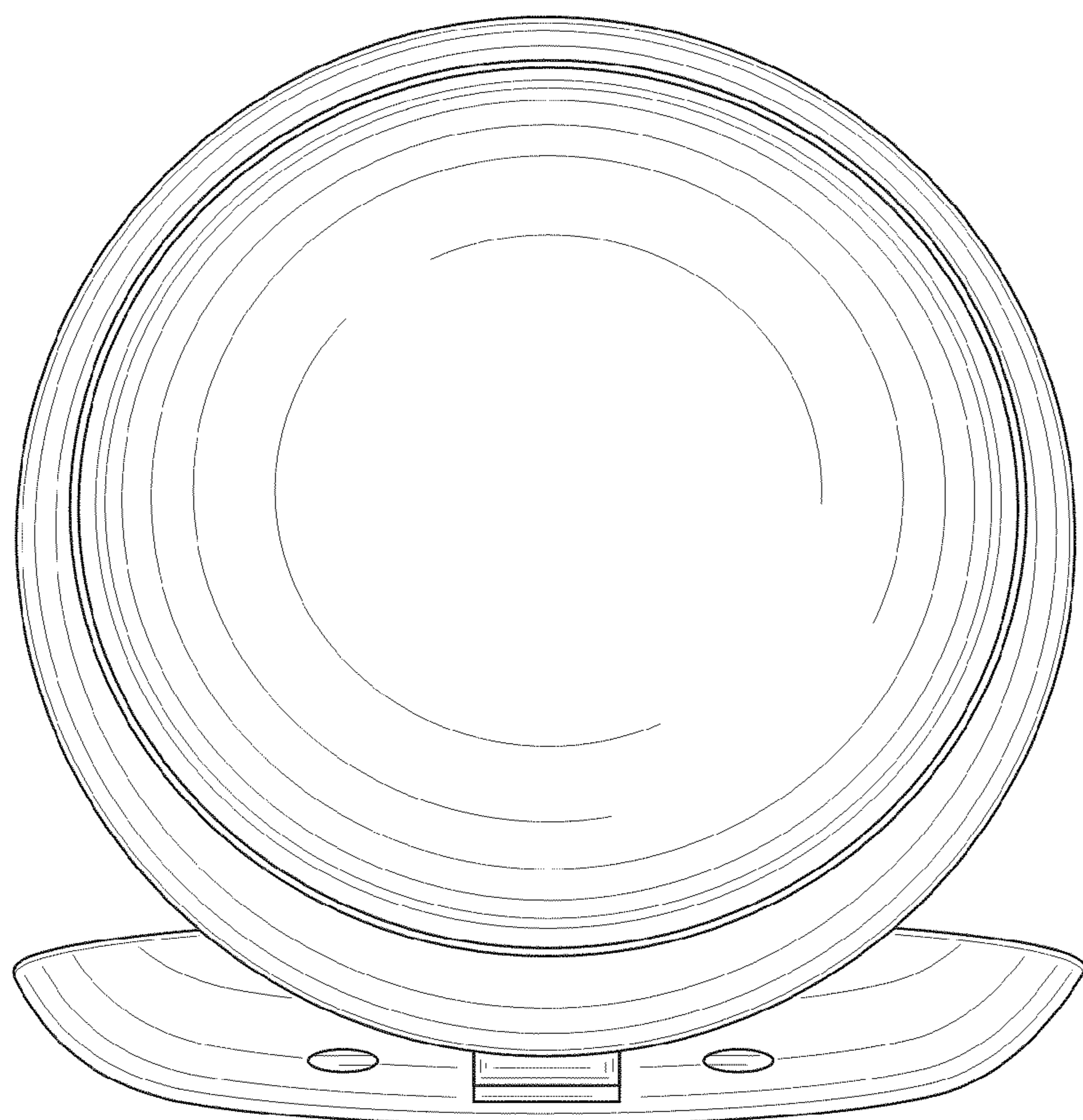


FIG. 8