



US00D634476S

(12) **United States Design Patent**  
**Greiner**

(10) **Patent No.:** **US D634,476 S**

(45) **Date of Patent:** **\*\* Mar. 15, 2011**

(54) **COSMETIC HOLDER**

(75) Inventor: **Lori Greiner**, Chicago, IL (US)

(73) Assignee: **For Your Ease Only, Inc.**, Chicago, IL (US)

(\*\*) Term: **14 Years**

(21) Appl. No.: **29/332,018**

(22) Filed: **Feb. 6, 2009**

(51) **LOC (9) Cl.** ..... **28-03**

(52) **U.S. Cl.** ..... **D28/73; D6/476**

(58) **Field of Classification Search** ..... 211/113.1,  
211/113.4, 56, 78, 163-164, 144; 132/286,  
132/287, 314-315; D6/460, 474, 442, 476,  
D6/457, 468-469; D28/73, 9

See application file for complete search history.

(56) **References Cited**

U.S. PATENT DOCUMENTS

D96,411 S *	7/1935	Pease	.....	D6/460
D178,168 S	7/1956	Buskirk		
3,227,283 A	1/1966	Ahlman		
D209,240 S *	11/1967	Plogsed	.....	D6/476
D267,457 S *	1/1983	Robins	.....	D6/442
4,953,696 A	9/1990	Huang et al.		
D332,017 S *	12/1992	King	.....	D6/421
D393,960 S *	5/1998	Geier et al.	.....	D6/457
D395,182 S *	6/1998	Singleton	.....	D6/469
5,819,960 A *	10/1998	Bonazza	.....	211/133.1
D414,001 S *	9/1999	Crotte et al.	.....	D28/73
D418,947 S *	1/2000	Greiner	.....	D28/73
D420,832 S *	2/2000	Cole, Sr.	.....	D6/407
D435,865 S	1/2001	La Greca		

D507,602 S *	7/2005	Siegel	.....	D6/460
D559,464 S *	1/2008	Singh	.....	D28/73
D584,854 S *	1/2009	Blum et al.	.....	D28/10
2008/0173325 A1 *	7/2008	McGarry	.....	132/315

OTHER PUBLICATIONS

U.S. Appl. No. 29/332,016, Non Final Office Action mailed May 12, 2010, 11 pages.

U.S. Appl. No. 29/332,017, Non Final Office Action mailed May 12, 2010, 11 pages.

\* cited by examiner

*Primary Examiner* — Jennifer Rivard

(74) *Attorney, Agent, or Firm* — Fredrikson & Byron, P.A.

(57) **CLAIM**

I claim the ornamental design for a cosmetic holder, as shown and described.

**DESCRIPTION**

The present design application is related to two design applications, of the same title, which are filed concurrently herewith and have the Ser. Nos. 29/332,016 and 29/332,017.

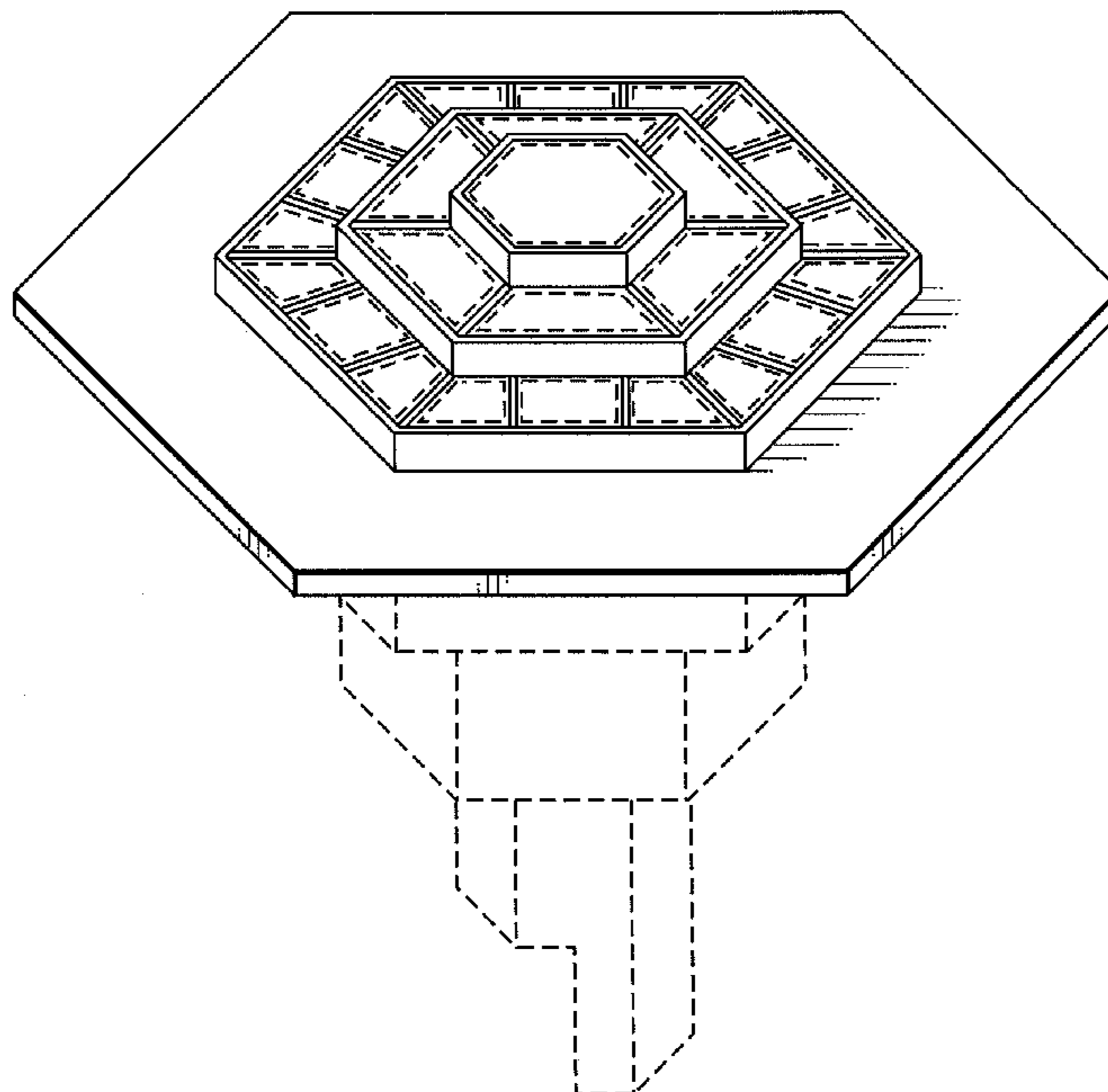
FIG. 1 is a front perspective view of my new and original ornamental design for a cosmetic holder, wherein the rear perspective view is a mirror image of the front perspective view shown;

FIG. 2 is a front elevation view thereof, wherein the rear elevation view is a mirror image of the front elevation view shown; and,

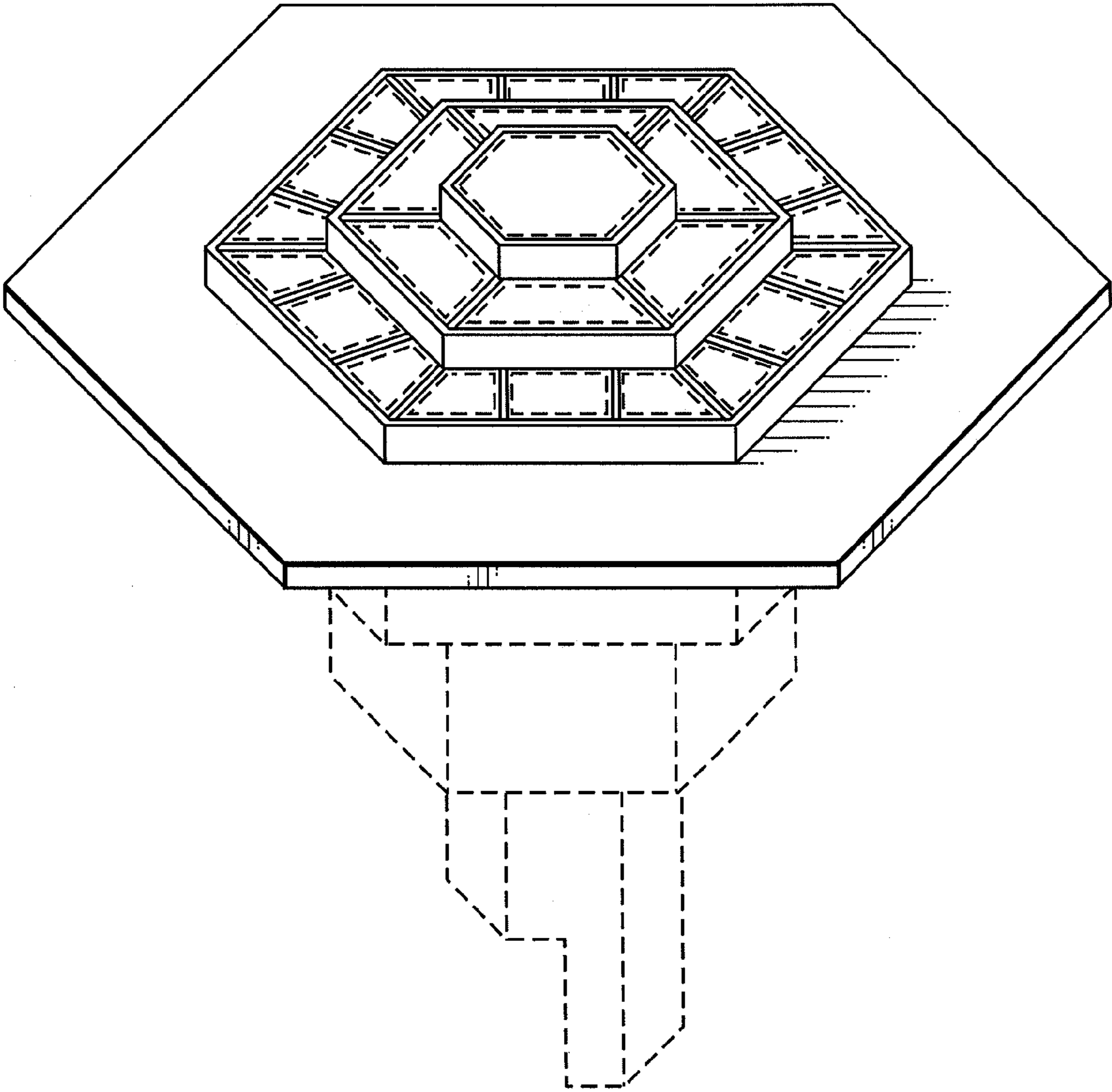
FIG. 3 is a top plan view thereof.

Portions of the design that are not shown in the drawings form no part of the claimed design. The broken lines that illustrate the interior and the lower portions of the cosmetic holder form no part of the claimed design.

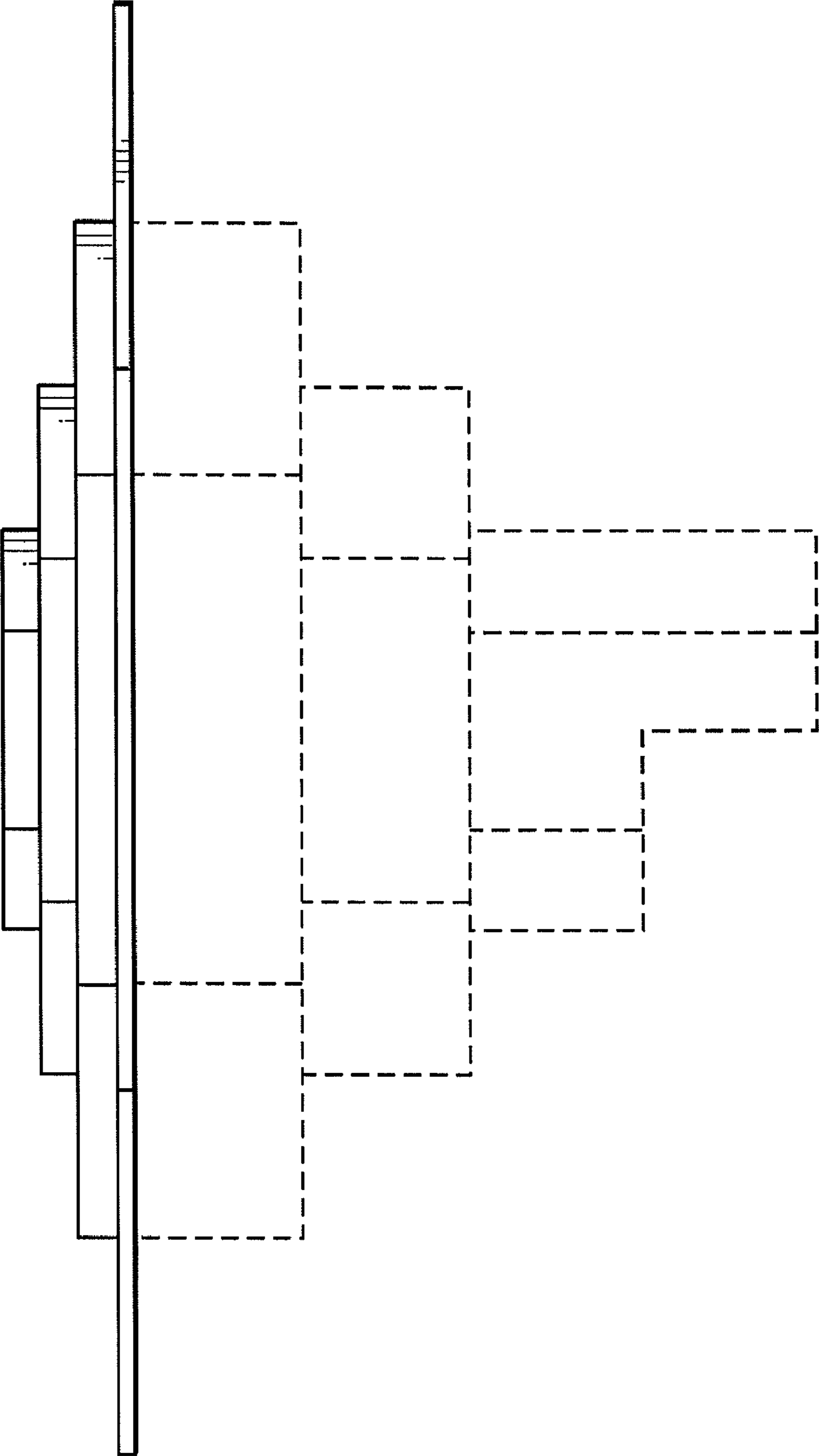
**1 Claim, 3 Drawing Sheets**



**Fig. 1**



**Fig. 2**



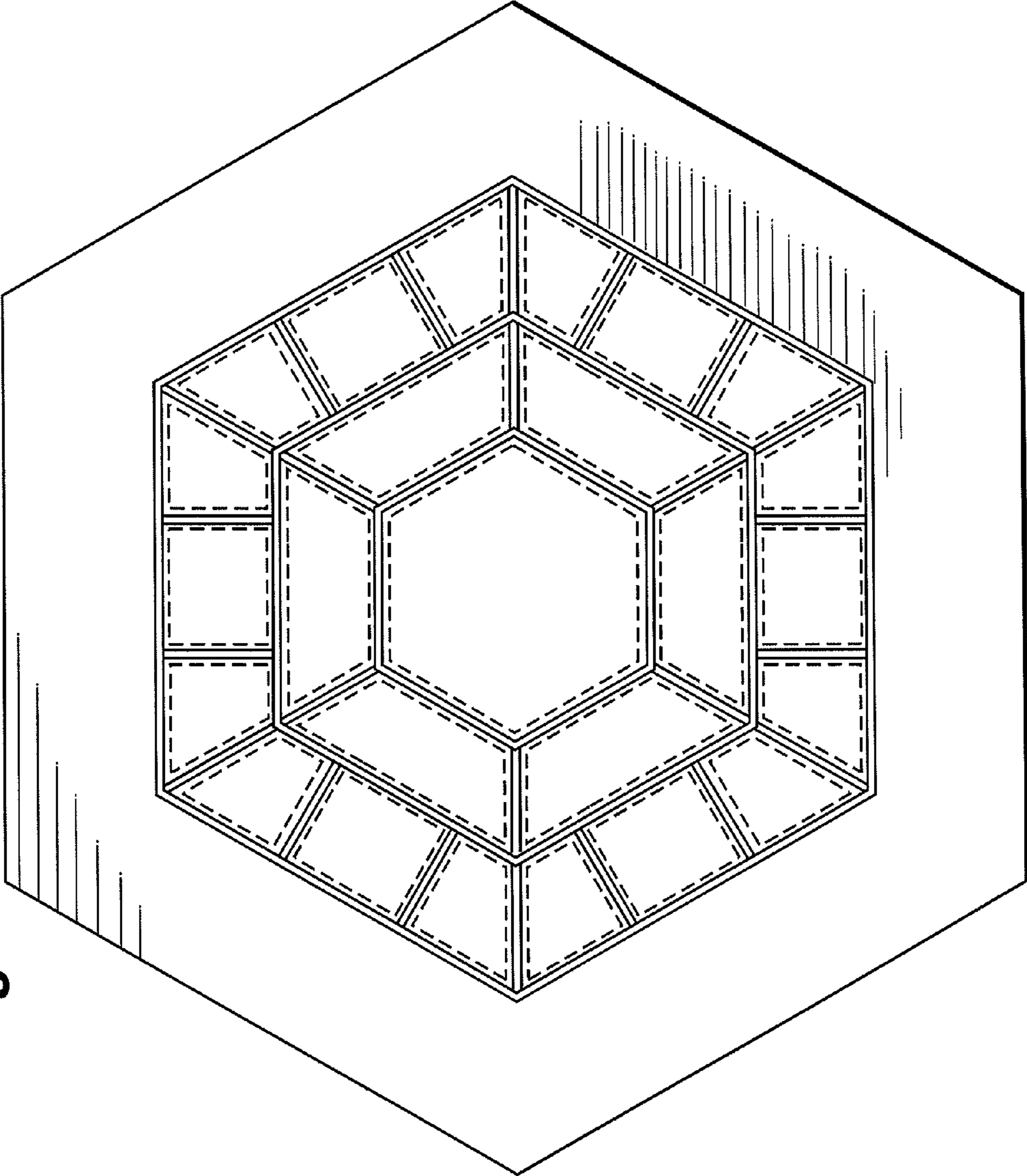


Fig. 3