



US00D634471S

(12) **United States Design Patent**
Hsieh

(10) **Patent No.:** **US D634,471 S**
(45) **Date of Patent:** **** Mar. 15, 2011**

(54) **LAMPSHADE**

(75) Inventor: **Duan-Cheng Hsieh**, Taipei (TW)

(73) Assignee: **Habitex Corporation**, Taipei (TW)

(**) Term: **14 Years**

(21) Appl. No.: **29/377,872**

(22) Filed: **Oct. 27, 2010**

(30) **Foreign Application Priority Data**

Jul. 1, 2010 (EM) 001223481

(51) **LOC (9) Cl.** **26-99**

(52) **U.S. Cl.** **D26/118**

(58) **Field of Classification Search** D26/2,

D26/88, 93, 103, 106, 69, 67, 66, 64, 63,
D26/65, 71, 75, 76, 80, 120, 121, 124, 128,
D26/118, 138, 142, 122, 113, 154, 156, 90,
D26/85, 86, 84, 81, 87; 362/183, 294, 295,
362/249.01-249.11; D13/102, 103, 179,
D13/180; D25/127, 129, 38; 361/704; 220/570,
220/695, 756; D9/430, 416, 424, 737; D32/53.1,
D32/53, 54; 244/118.5, 118.6; 297/245;
D6/356, 491, 492, 519, 580; D23/271, 286,
D23/234; D12/345; D8/349, 354, 373

See application file for complete search history.

(56) **References Cited**

U.S. PATENT DOCUMENTS

D201,765 S * 7/1965 Mox D26/71
D204,558 S * 4/1966 Zeitz D26/71
D418,619 S * 1/2000 Porter D26/68
D509,313 S * 9/2005 Friedman et al. D26/71
D565,234 S * 3/2008 Pfund et al. D26/87

D566,877 S * 4/2008 Chandler D26/85
D568,526 S * 5/2008 Chandler D26/85
D591,445 S * 4/2009 Guercio D26/92
D600,847 S * 9/2009 Wung et al. D26/71
D601,738 S * 10/2009 Schneider D26/71
D607,594 S * 1/2010 Waldmann D26/76
D608,040 S * 1/2010 Guercio D26/71
D608,935 S * 1/2010 Pedersen D26/85
D610,731 S * 2/2010 Lenz D26/71
D613,886 S * 4/2010 Lodhie D26/1
D617,028 S * 6/2010 Verfueth et al. D26/75
2008/0137327 A1 * 6/2008 Hodulik 362/183
2009/0168418 A1 * 7/2009 Zheng et al. 362/234

* cited by examiner

Primary Examiner — Cathron C Brooks

Assistant Examiner — Kevin K Rudzinski

(74) *Attorney, Agent, or Firm* — Whyte Hirschboeck Dudek SC

(57) **CLAIM**

The ornamental design for lampshade, as shown and described.

DESCRIPTION

FIG. 1 is a perspective view of lampshade showing my new design;

FIG. 2 is a front elevational view thereof;

FIG. 3 is a rear elevational view thereof;

FIG. 4 is a left side elevational view thereof;

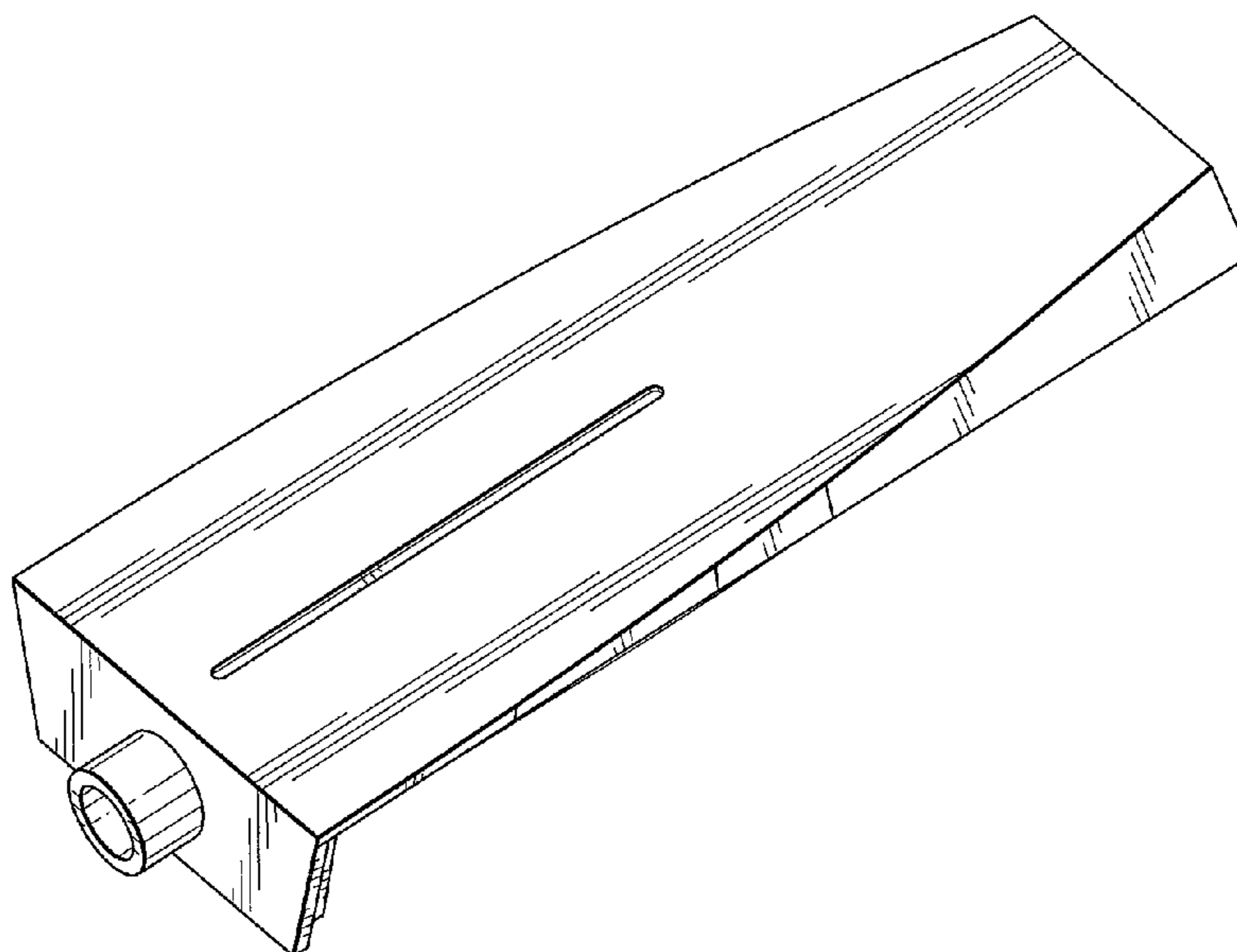
FIG. 5 is a right side elevational view thereof;

FIG. 6 is a top plan view thereof; and,

FIG. 7 is a bottom plan view thereof.

The broken lines shown in the drawings are included for the purpose of illustrating unclaimed portions of the lampshade and form no part of the claimed design.

1 Claim, 4 Drawing Sheets



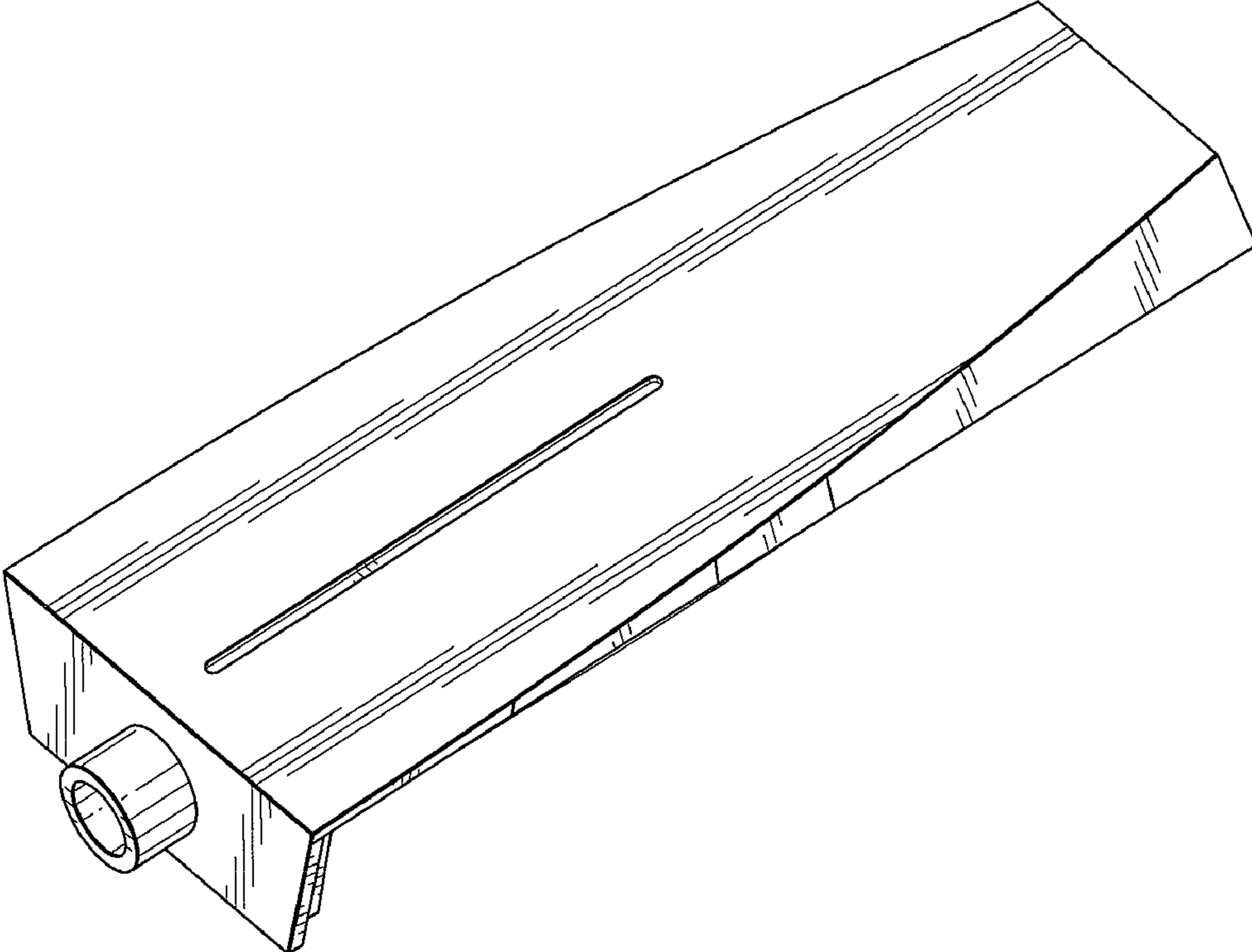


FIG.1

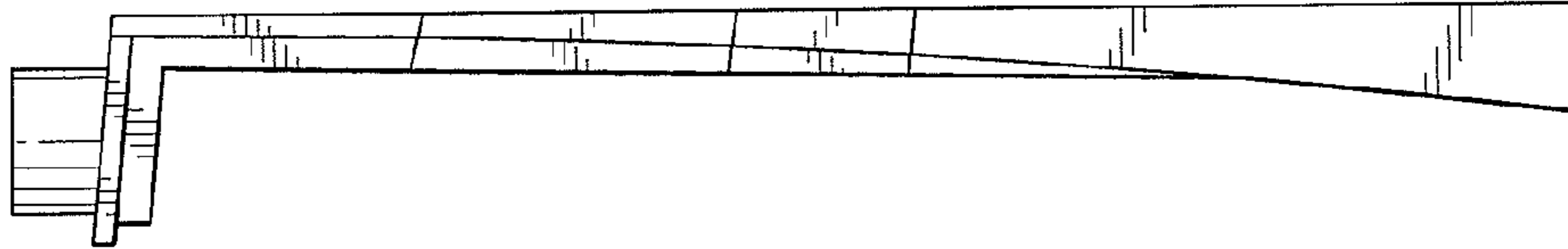


FIG. 2

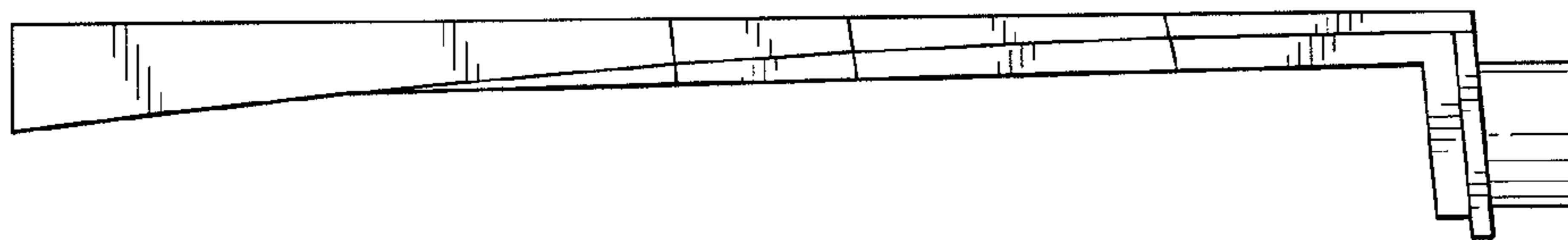


FIG. 3

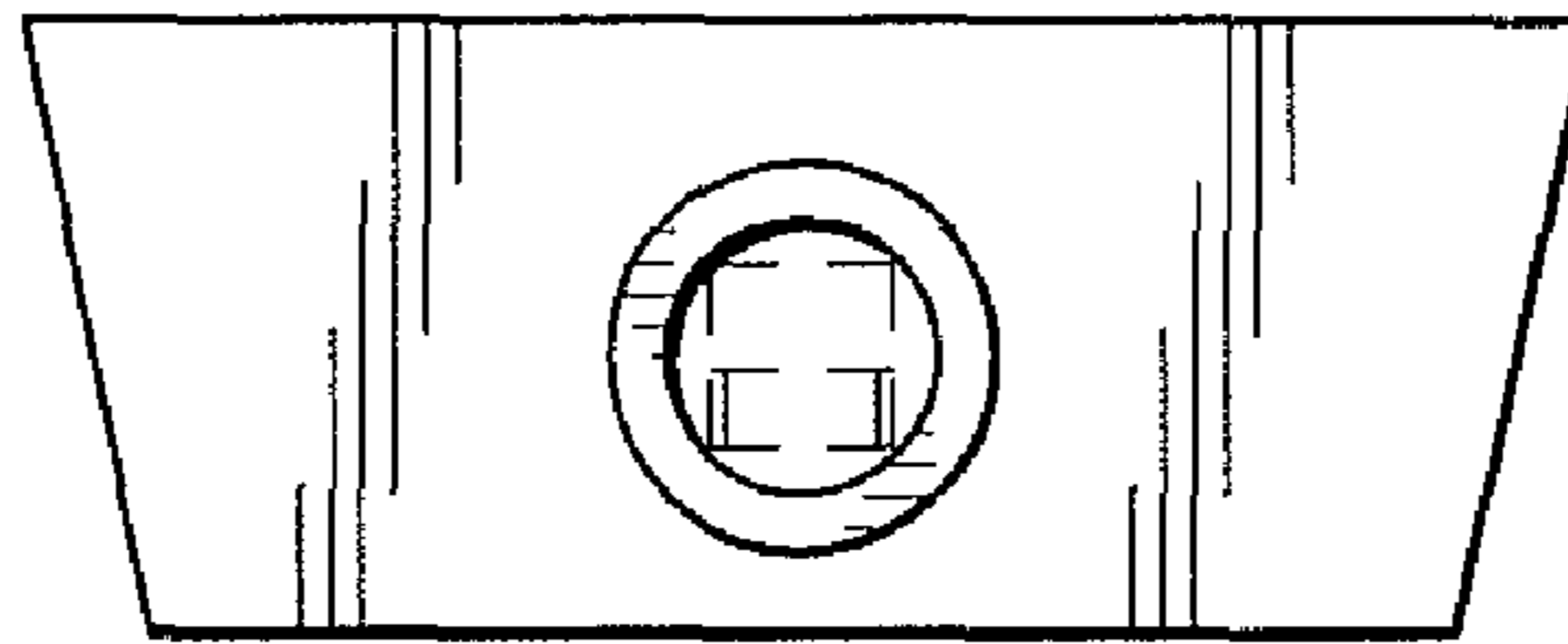


FIG. 4

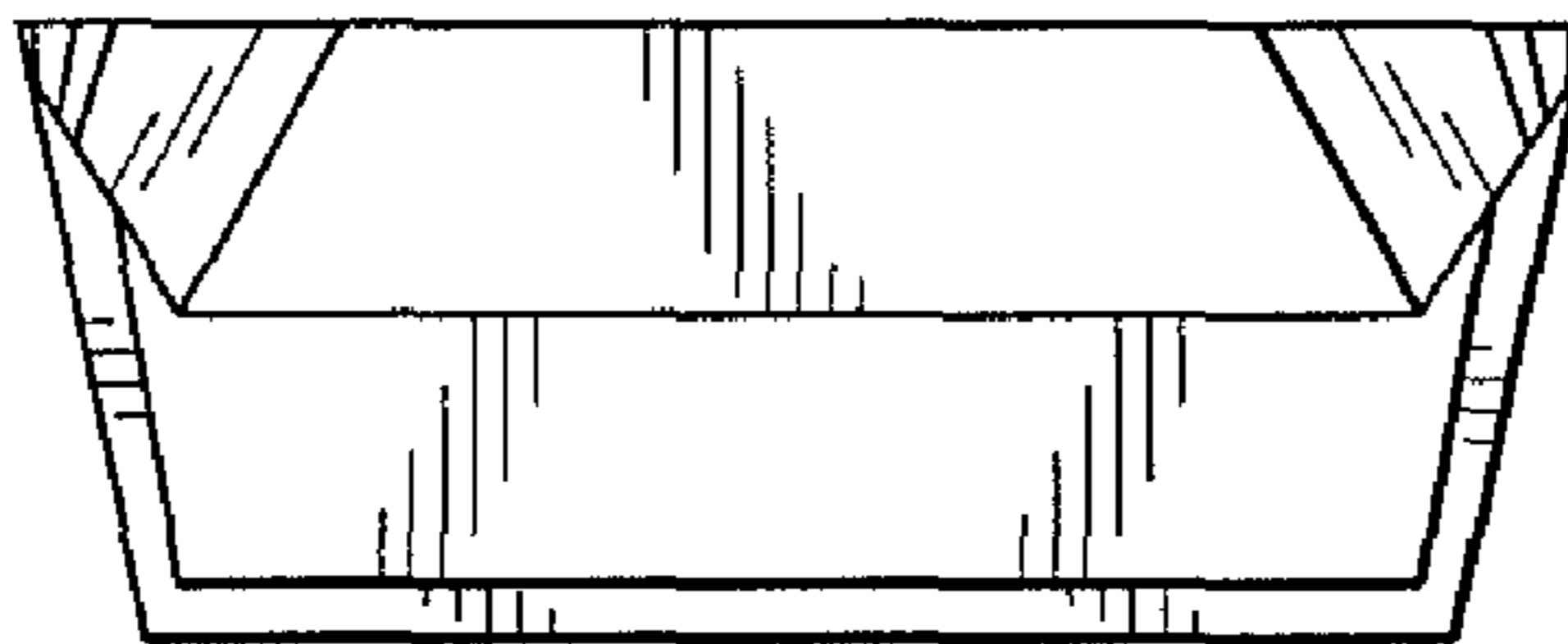


FIG. 5

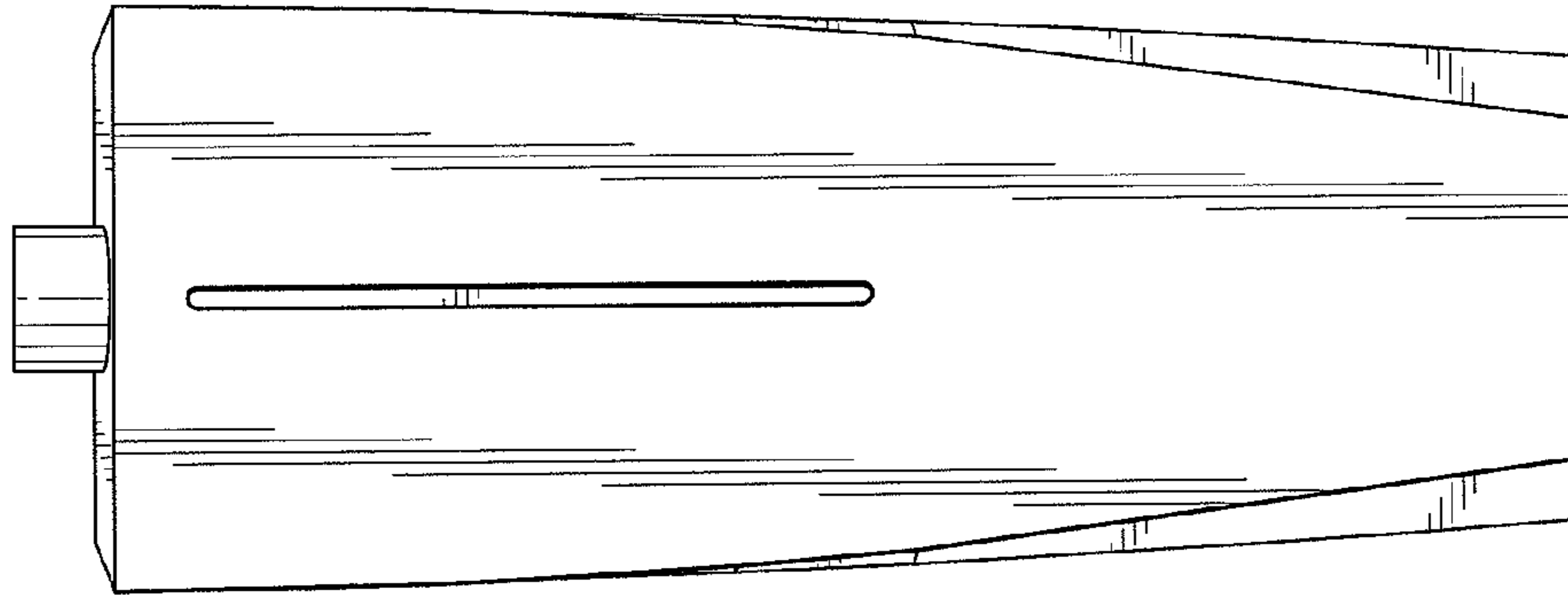


FIG. 6

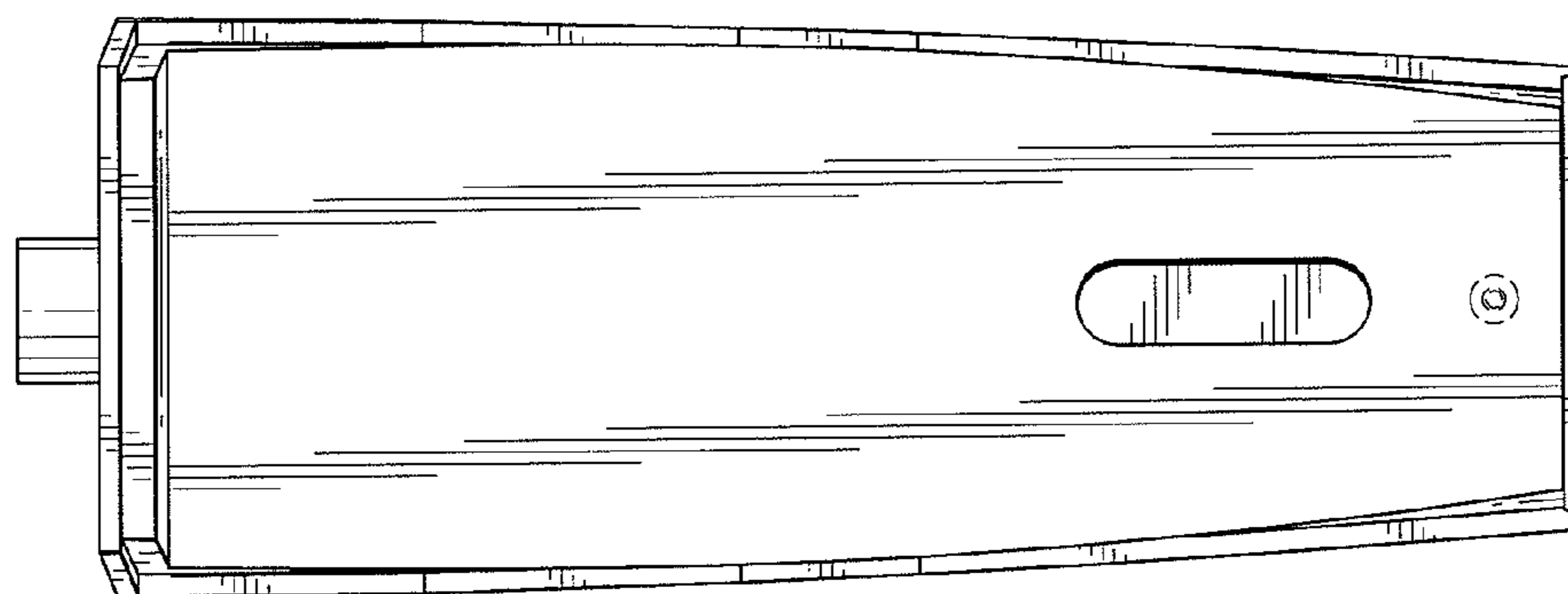


FIG. 7