

US00D634470S

(12) **United States Design Patent**  
**Hsieh**

(10) **Patent No.:** **US D634,470 S**  
(45) **Date of Patent:** **\*\* Mar. 15, 2011**

(54) **LAMPSHADE**

(75) Inventor: **Duan-Cheng Hsieh**, Taipei (TW)

(73) Assignee: **Habitex Corporation**, Taipei (TW)

(\*\*) Term: **14 Years**

(21) Appl. No.: **29/377,862**

(22) Filed: **Oct. 27, 2010**

(30) **Foreign Application Priority Data**

Jul. 7, 2010 (EM) ..... 001728858

(51) **LOC (9) Cl.** ..... **26-99**

(52) **U.S. Cl.** ..... **D26/118**

(58) **Field of Classification Search** ..... D26/2,  
D26/88, 93, 103, 106, 69, 67, 66, 64, 63,  
D26/65, 71, 75, 76, 80, 120, 121, 124, 128,  
D26/118, 138, 142, 122, 113, 154, 156, 90,  
D26/85, 86, 84, 81, 87; 362/183, 294, 295,  
362/249.01-249.11; D13/102, 103, 179,  
D13/180; D25/127, 129, 38; 361/704; 220/570,  
220/695, 756; D9/430, 416, 424, 737; D32/53.1,  
D32/53, 54; 244/118.5, 118.6; 297/245;  
D6/356, 491, 492, 519, 580; D23/271, 286,  
D23/234; D12/345; D8/349, 354, 373  
See application file for complete search history.

(56) **References Cited**

**U.S. PATENT DOCUMENTS**

D67,828 S \* 7/1925 Dorey ..... D26/128  
D165,652 S \* 1/1952 Ingolia, Jr. .... D26/107  
3,270,192 A \* 8/1966 Watson ..... 362/293  
D233,779 S \* 11/1974 Kennedy et al. .... D26/63  
4,001,572 A \* 1/1977 Stein ..... 362/267  
D268,135 S \* 3/1983 Habro ..... D26/128

D285,489 S \* 9/1986 Russell ..... D26/86  
D286,682 S \* 11/1986 Greenlee ..... D26/63  
D291,606 S \* 8/1987 Ander et al. .... D26/128  
D324,433 S \* 3/1992 Camino et al. .... D26/67  
D404,169 S \* 1/1999 Wang ..... D26/118  
D408,576 S \* 4/1999 Crosby ..... D26/85  
D435,683 S \* 12/2000 Hoffbauer ..... D26/135  
D473,668 S \* 4/2003 Hille et al. .... D26/63  
D548,877 S \* 8/2007 Chen ..... D26/128  
D570,516 S \* 6/2008 Orellana ..... D26/71  
D588,292 S \* 3/2009 Sabernig ..... D26/71  
D589,200 S \* 3/2009 Sabernig ..... D26/85  
D592,798 S \* 5/2009 Chandler ..... D26/118  
D620,188 S \* 7/2010 Sabernig ..... D26/118

\* cited by examiner

*Primary Examiner* — Cathron C Brooks

*Assistant Examiner* — Kevin K Rudzinski

(74) *Attorney, Agent, or Firm* — Whyte Hirschboeck Dudek SC

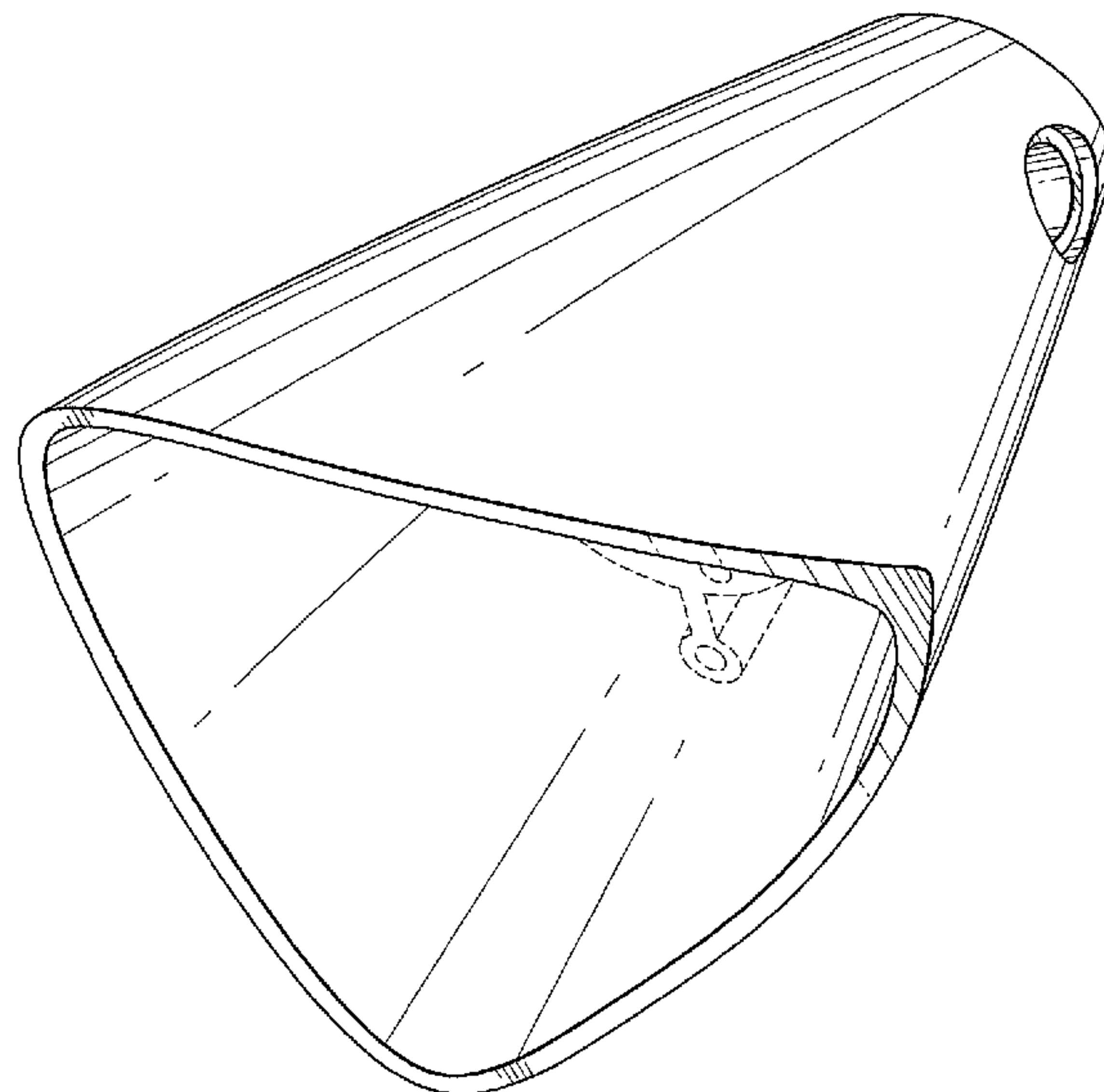
(57) **CLAIM**

The ornamental design for lampshade, as shown and described.

**DESCRIPTION**

FIG. 1 is a perspective view of lampshade showing my new design;  
FIG. 2 is a front elevational view thereof;  
FIG. 3 is a rear elevational view thereof;  
FIG. 4 is a left side elevational view thereof;  
FIG. 5 is a right side elevational view thereof;  
FIG. 6 is a top plan view thereof;  
FIG. 7 is a bottom plan view thereof; and,  
FIG. 8 is another perspective view in use.  
The broken lines shown in the drawings illustrate unclaimed portions of the lampshade and form no part of the claimed design.

**1 Claim, 5 Drawing Sheets**



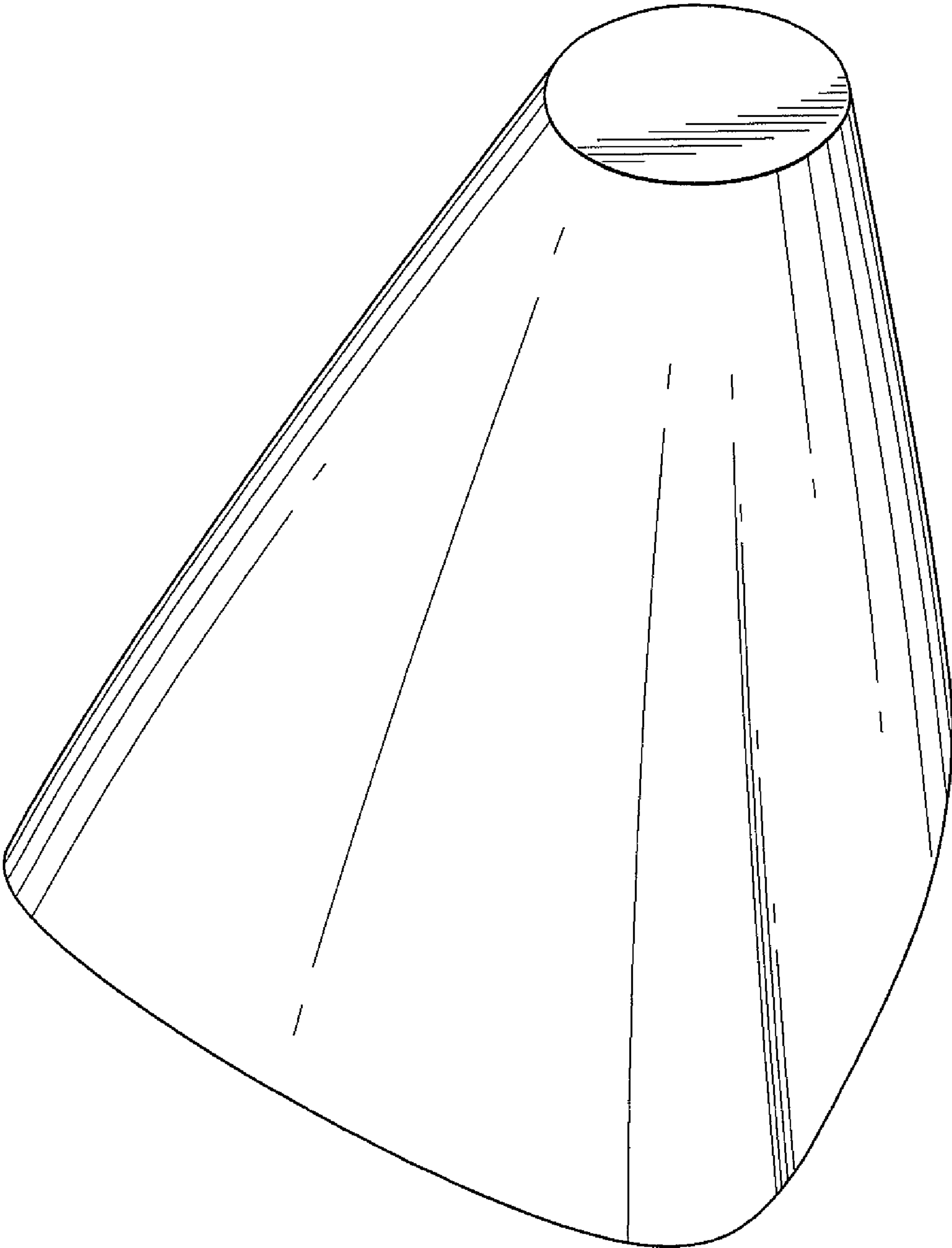


FIG. 1

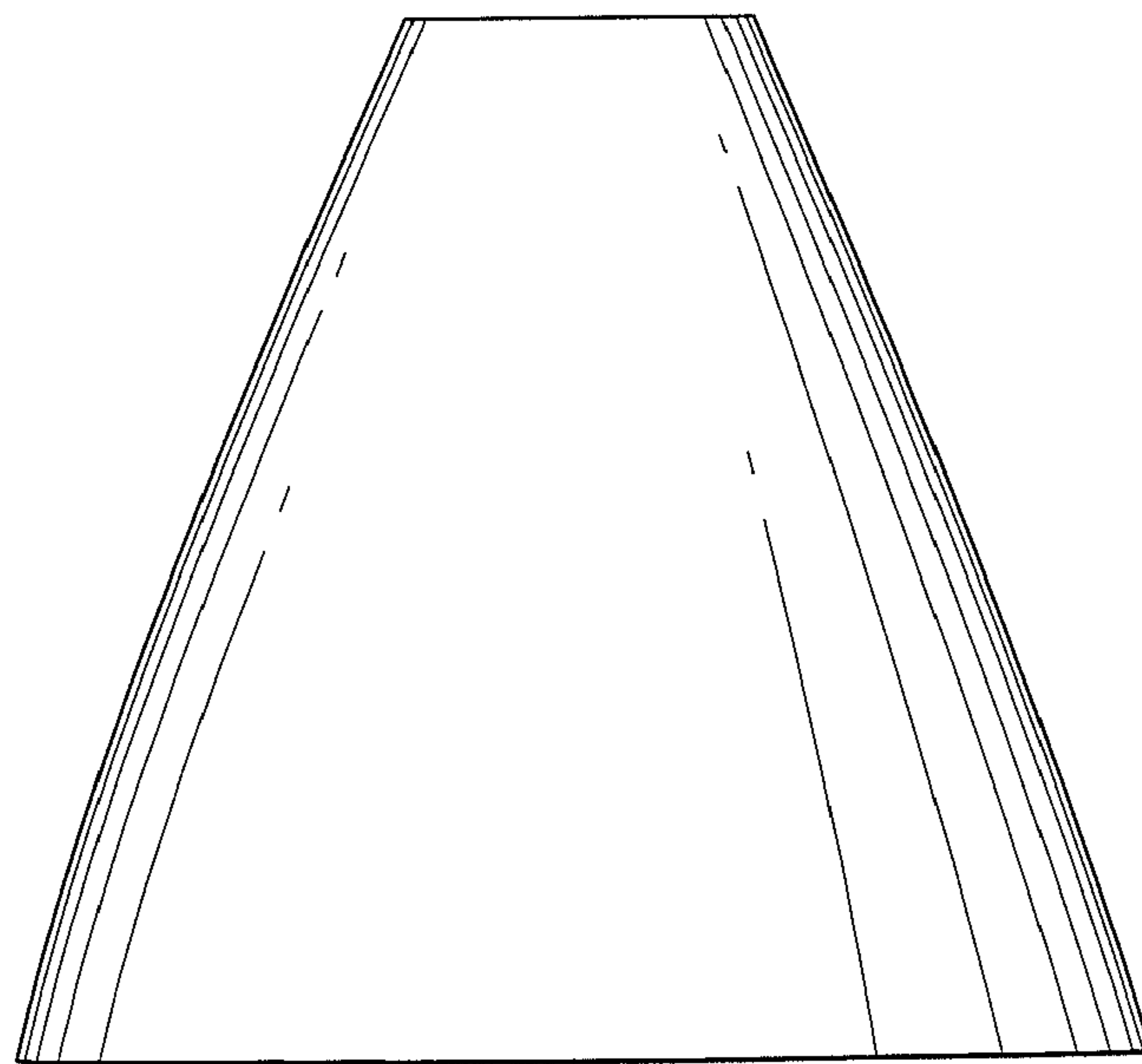


FIG. 2

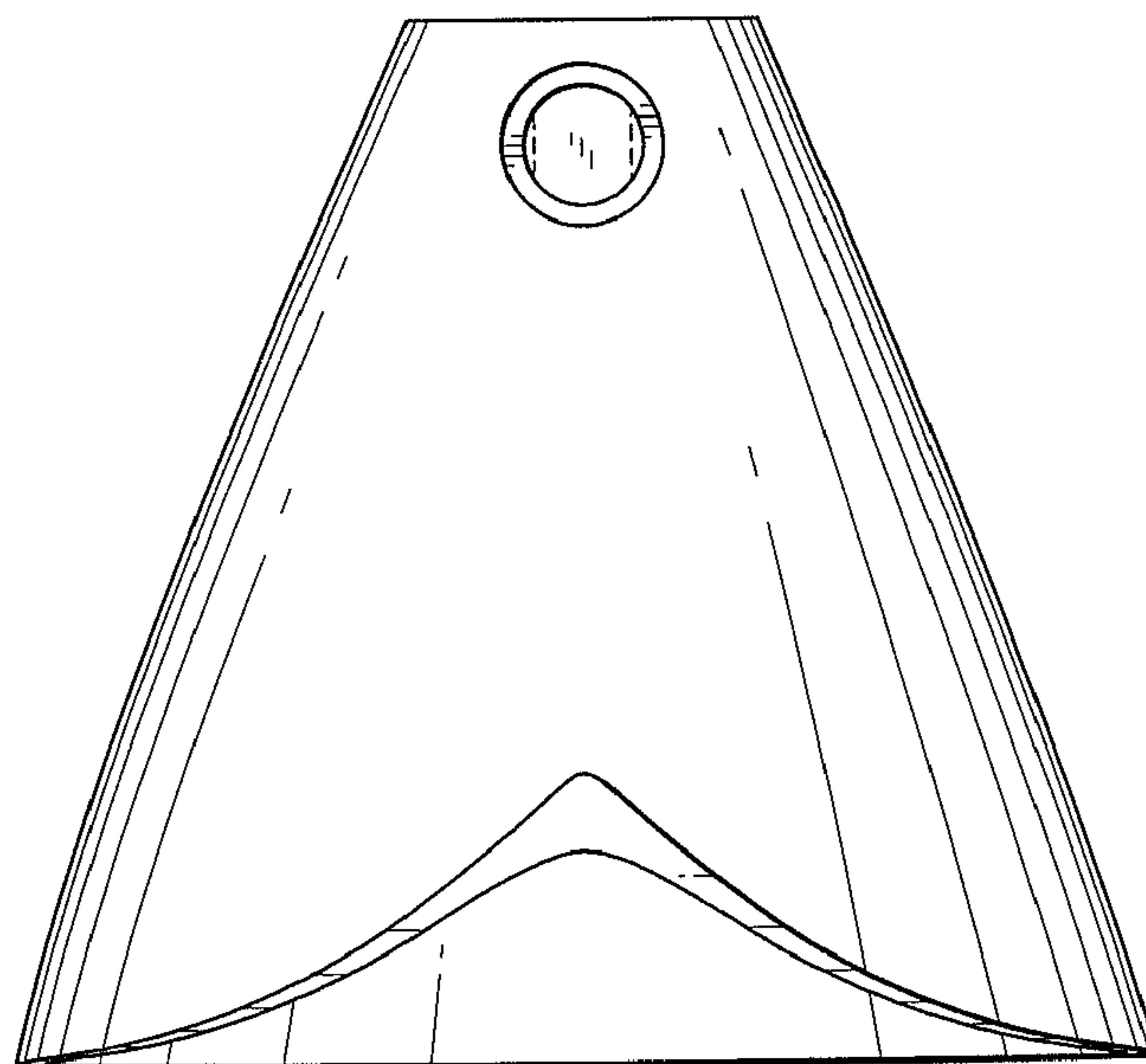


FIG. 3

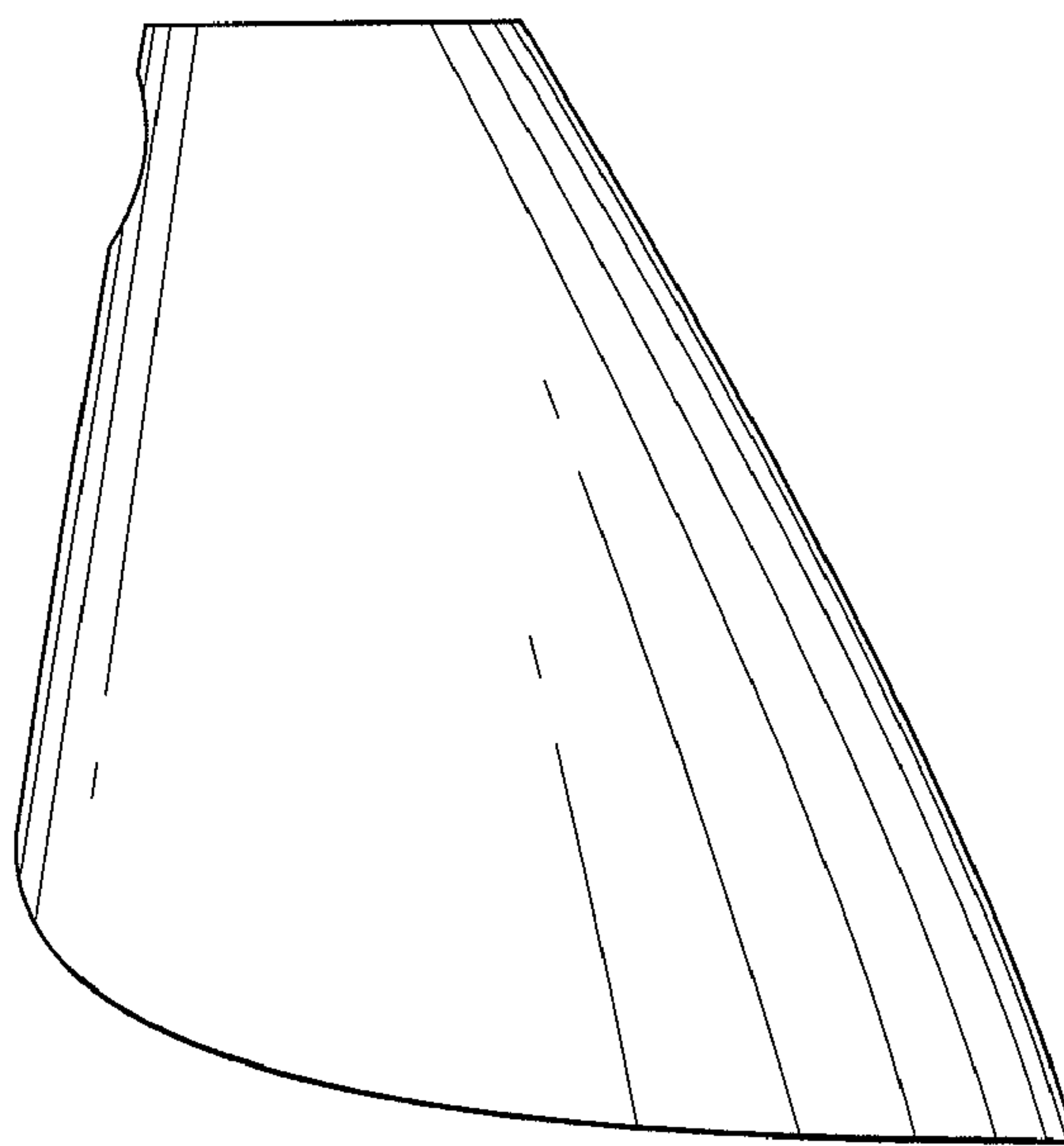


FIG. 4

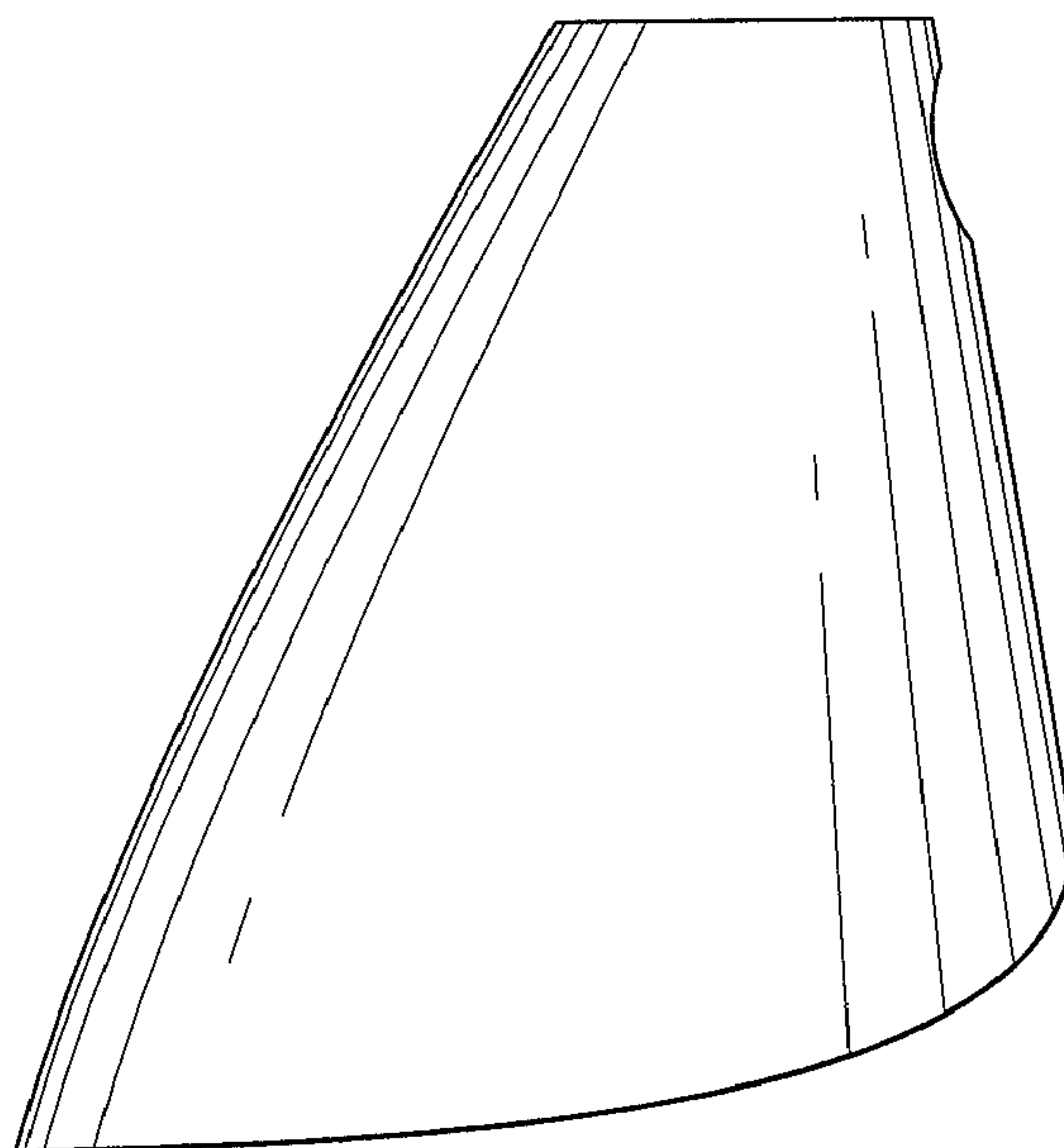


FIG. 5

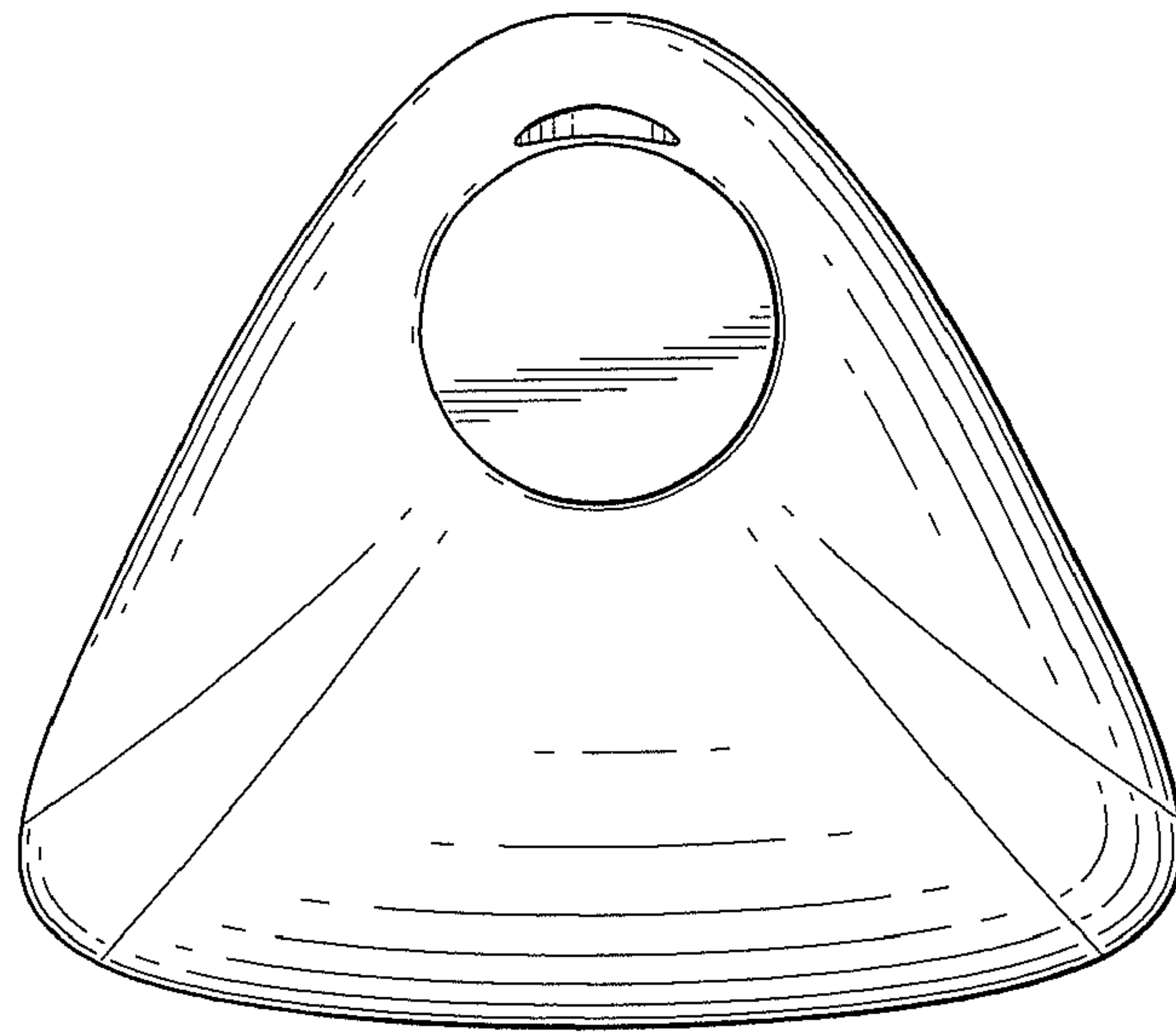


FIG. 6

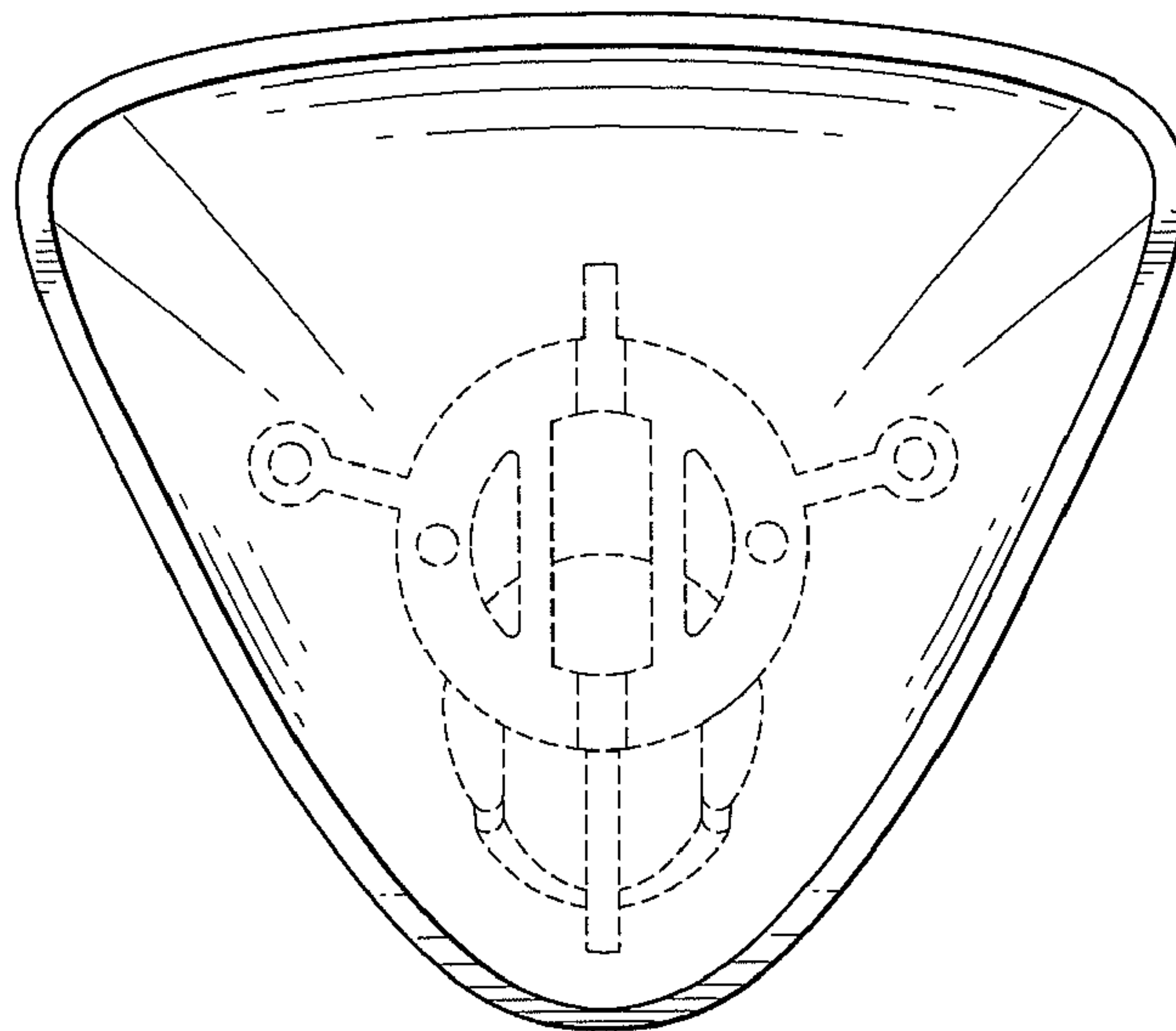


FIG. 7



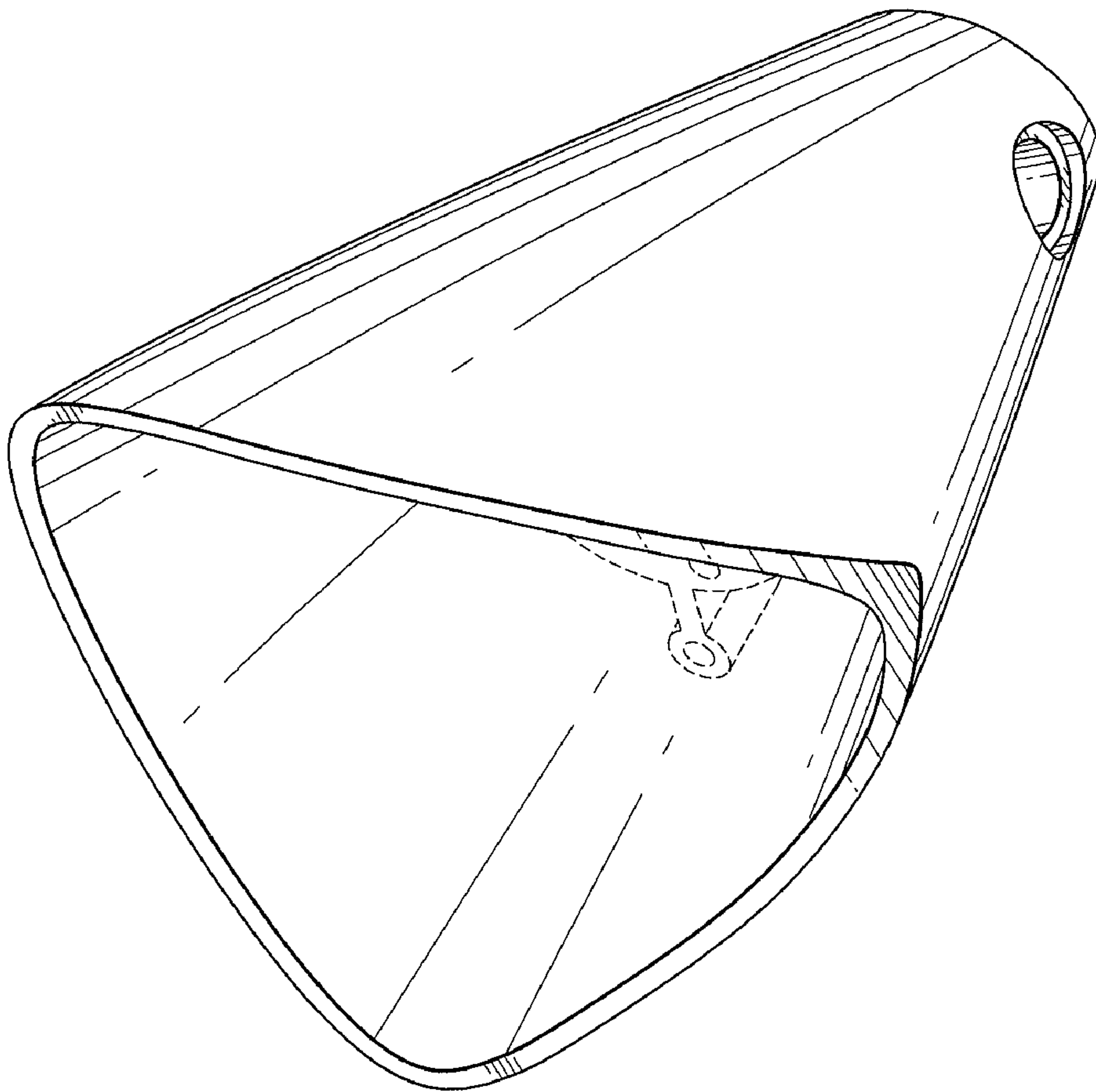


FIG. 8