



US00D634469S

(12) **United States Design Patent**
Hargreaves

(10) **Patent No.:** **US D634,469 S**
(45) **Date of Patent:** **** Mar. 15, 2011**

- (54) **HORTICULTURE LIGHT FIXTURE**
 - (75) Inventor: **Craig Hargreaves**, Vancouver, WA (US)
 - (73) Assignee: **IP Holdings, LLC**, Vancouver, WA (US)
 - (**) Term: **14 Years**
 - (21) Appl. No.: **29/370,956**
 - (22) Filed: **Sep. 27, 2010**
 - (51) **LOC (9) Cl.** **26-99**
 - (52) **U.S. Cl.** **D26/118**
 - (58) **Field of Classification Search** D26/154,
D26/1, 2, 120, 124, 63, 118, 85, 140, 155,
D26/122, 88, 90, 76, 75, 93, 113, 119, 128,
D26/145; 362/405, 147, 297, 285, 346, 349,
362/18, 122; D23/366; 345/163, 156, 158;
D14/402, 405, 408, 409; D8/354, 356, 373,
D8/349, 380; D13/179, 180; D11/89, 90,
D11/121
- See application file for complete search history.

D544,129 S	6/2007	Hargreaves	
D544,130 S	6/2007	Hargreaves	
D544,139 S *	6/2007	Hargreaves D26/118
D544,626 S	6/2007	Hargreaves	
D544,980 S	6/2007	Hargreaves	
D544,981 S	6/2007	Hargreaves	
D544,982 S	6/2007	Hargreaves	
D544,983 S	6/2007	Hargreaves	
D544,984 S *	6/2007	Hargreaves D26/76
D544,985 S	6/2007	Hargreaves	
D544,987 S	6/2007	Hargreaves	
D544,994 S *	6/2007	Hargreaves D26/118
D544,995 S *	6/2007	Hargreaves D26/118
D545,475 S	6/2007	Hargreaves	
D545,484 S *	6/2007	Hargreaves D26/118
D545,990 S	7/2007	Hargreaves	
D545,994 S *	7/2007	Hargreaves D26/118
D569,024 S *	5/2008	Redfern D26/74
7,445,363 B2 *	11/2008	Vanden Eynden 362/346
7,524,090 B2 *	4/2009	Hargreaves 362/294

(Continued)

Primary Examiner — Cathron C Brooks
Assistant Examiner — Kevin K Rudzinski
(74) *Attorney, Agent, or Firm* — Robert J. Ireland

(56) **References Cited**

U.S. PATENT DOCUMENTS

1,930,070 A *	10/1933	Zecher 313/590
3,272,978 A *	9/1966	Jackson 362/408
3,420,995 A *	1/1969	Dunckel 362/366
D270,577 S *	9/1983	DeVos et al. D26/118
D311,597 S	10/1990	Poot	
D400,289 S	10/1998	Wardenburg	
D426,010 S *	5/2000	Compton D26/67
D428,516 S	7/2000	Reo	
6,152,579 A *	11/2000	Reed et al. 362/320
D439,008 S *	3/2001	Kim D26/118
D456,938 S *	5/2002	Wardenburg D26/118
6,527,422 B1 *	3/2003	Hutchison 362/373
D542,460 S	5/2007	Hargreaves	
D543,651 S	5/2007	Hargreaves	
D543,652 S *	5/2007	Hargreaves D26/76
D543,653 S	5/2007	Hargreaves	
D543,654 S	5/2007	Hargreaves	
D543,655 S	5/2007	Hargreaves	

(57) **CLAIM**

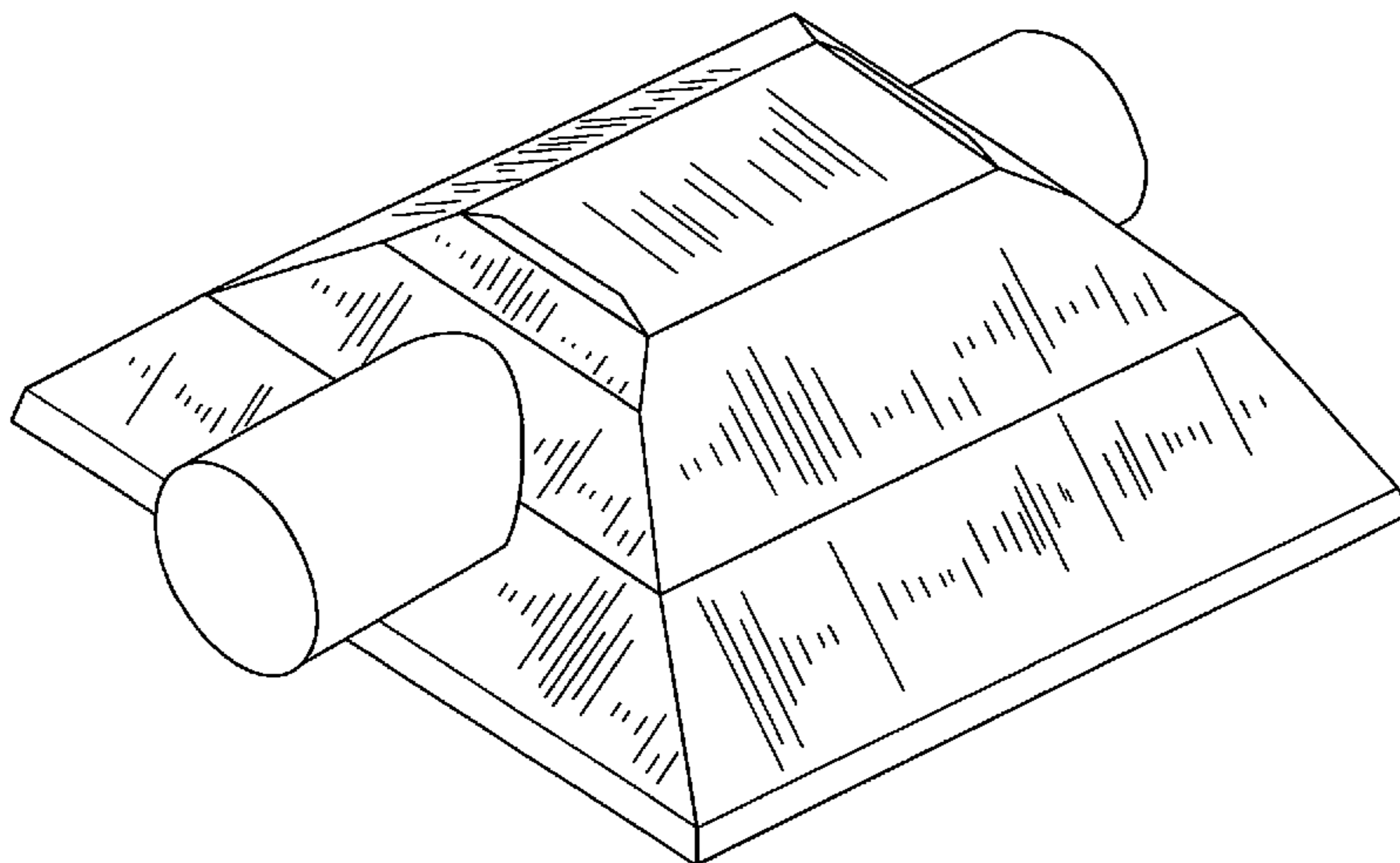
The ornamental design for a horticulture light fixture, as shown and described.

DESCRIPTION

FIG. 1 is a left perspective side view;
FIG. 2 is a front view;
FIG. 3 is right perspective side view;
FIG. 4 is a bottom view;
FIG. 5 is a bottom perspective view;
FIG. 6 is a right view; and,
FIG. 7 is a top view.

The broken lines showing the reflector in FIGS. 4 and 5 are for the purpose of illustrating unclaimed portions of the article and form no part of the claimed design.

1 Claim, 7 Drawing Sheets



US D634,469 S

Page 2

U.S. PATENT DOCUMENTS

D614,801 S *	4/2010	Collins et al.	D26/118	2008/0205030 A1*	8/2008	Hargreaves	362/1
2002/0141195 A1*	10/2002	Peter	362/362	2009/0262540 A1*	10/2009	Hargreaves et al.	362/362

* cited by examiner

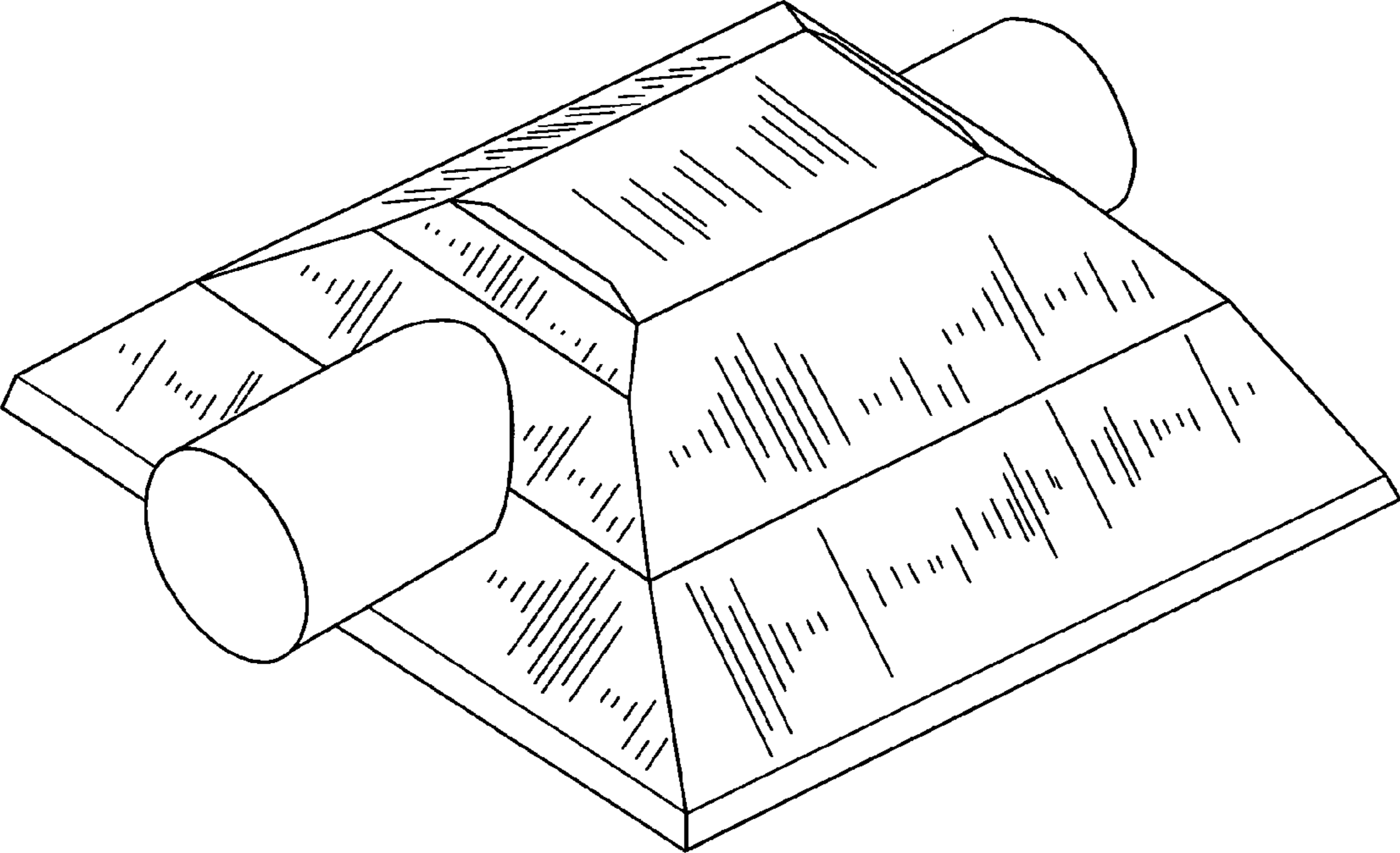


FIG. 1

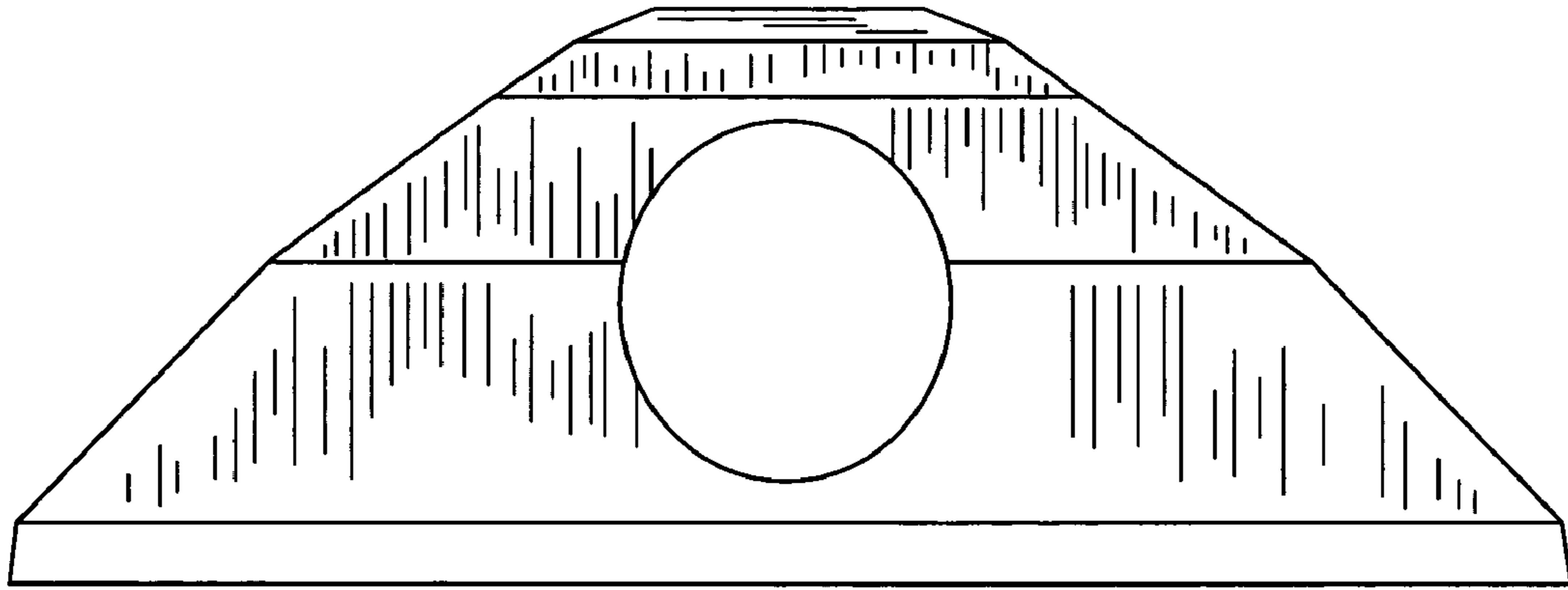


FIG. 2

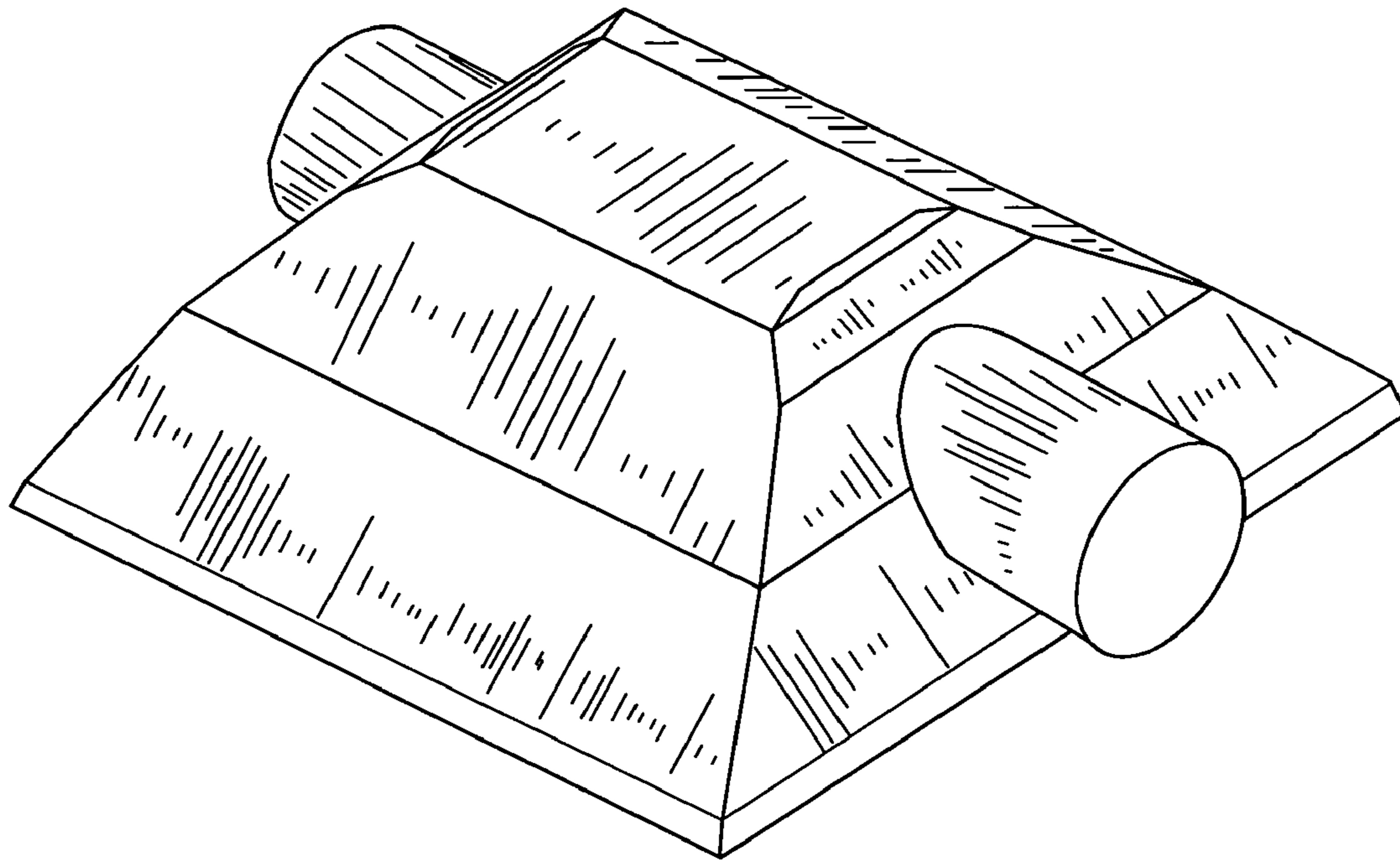


FIG. 3

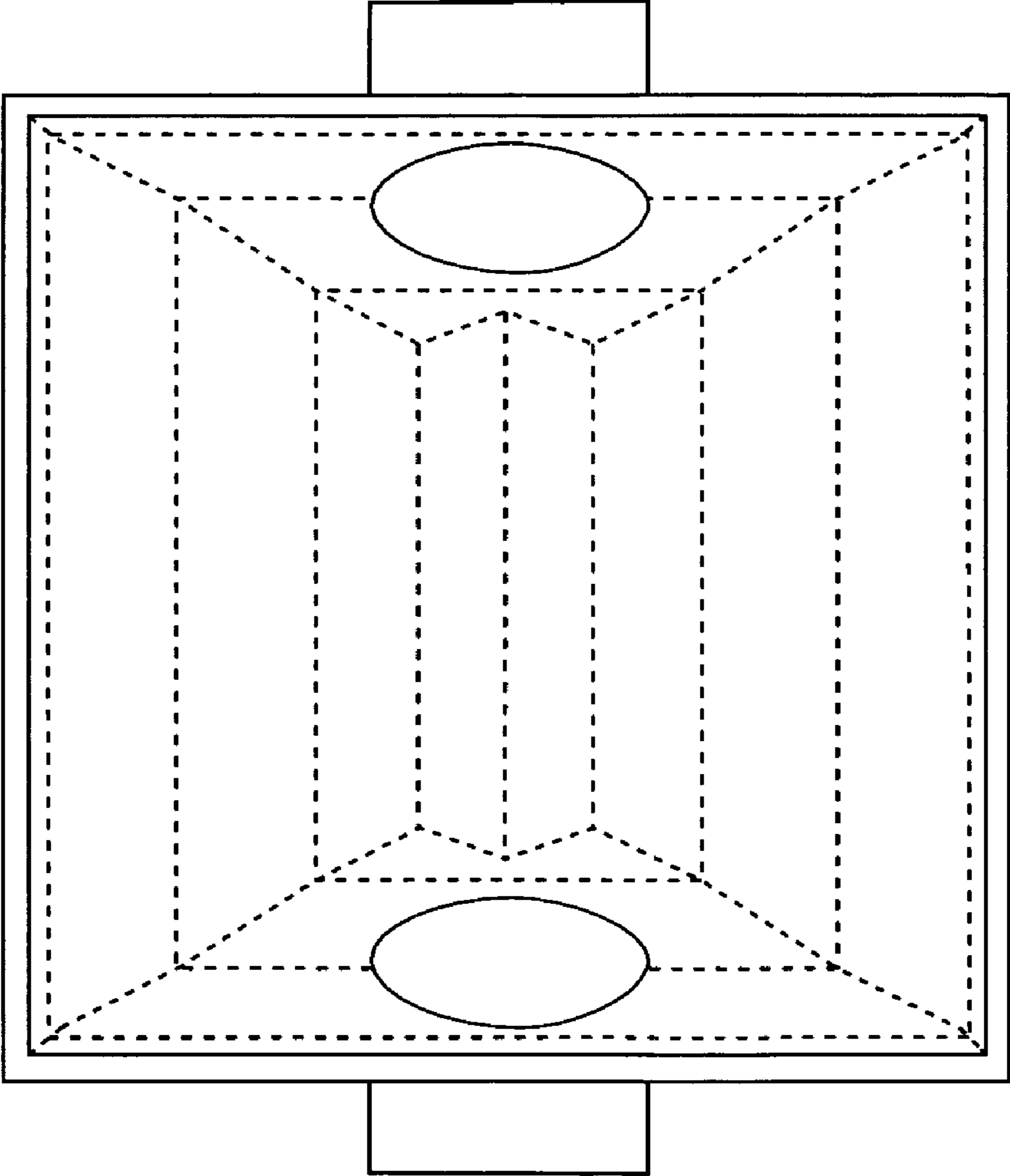


FIG. 4

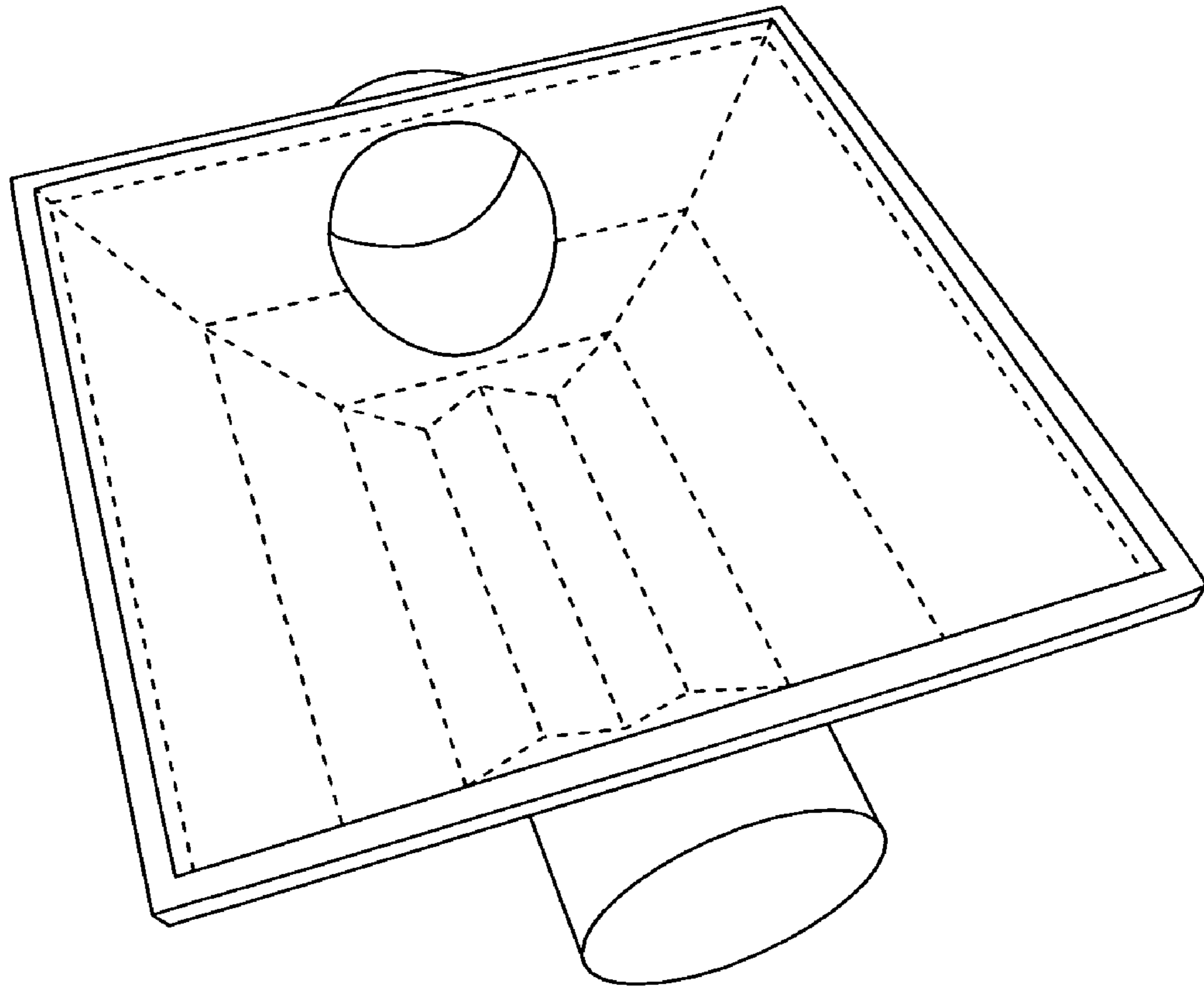


FIG. 5

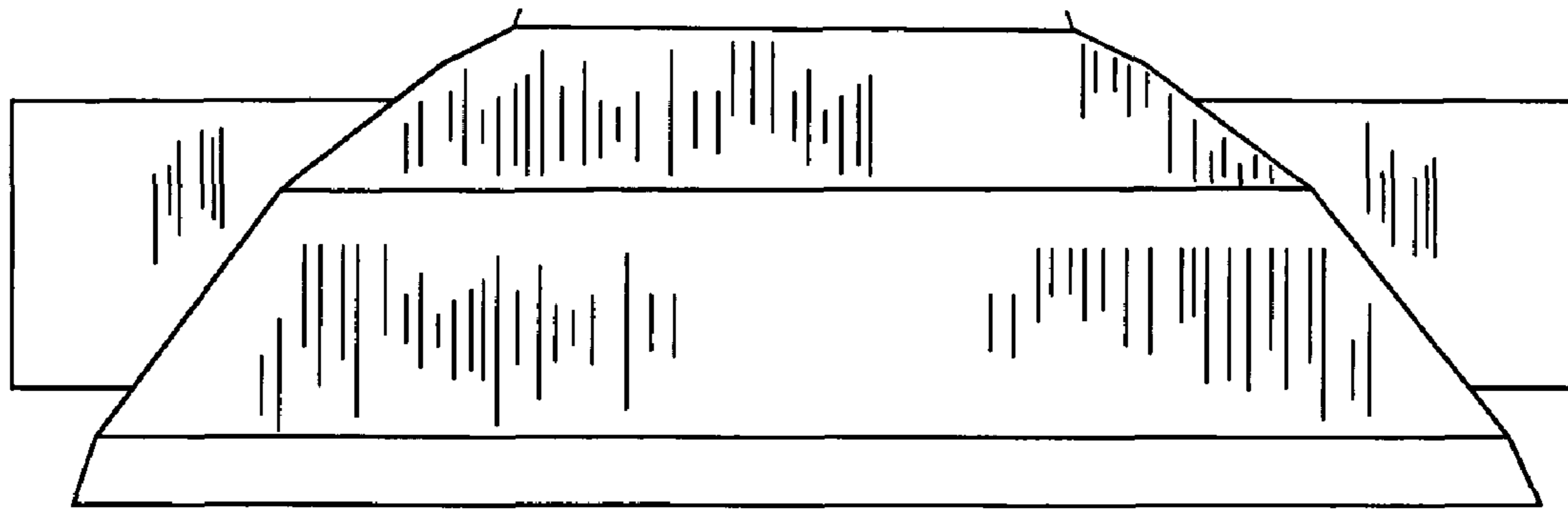


FIG. 6

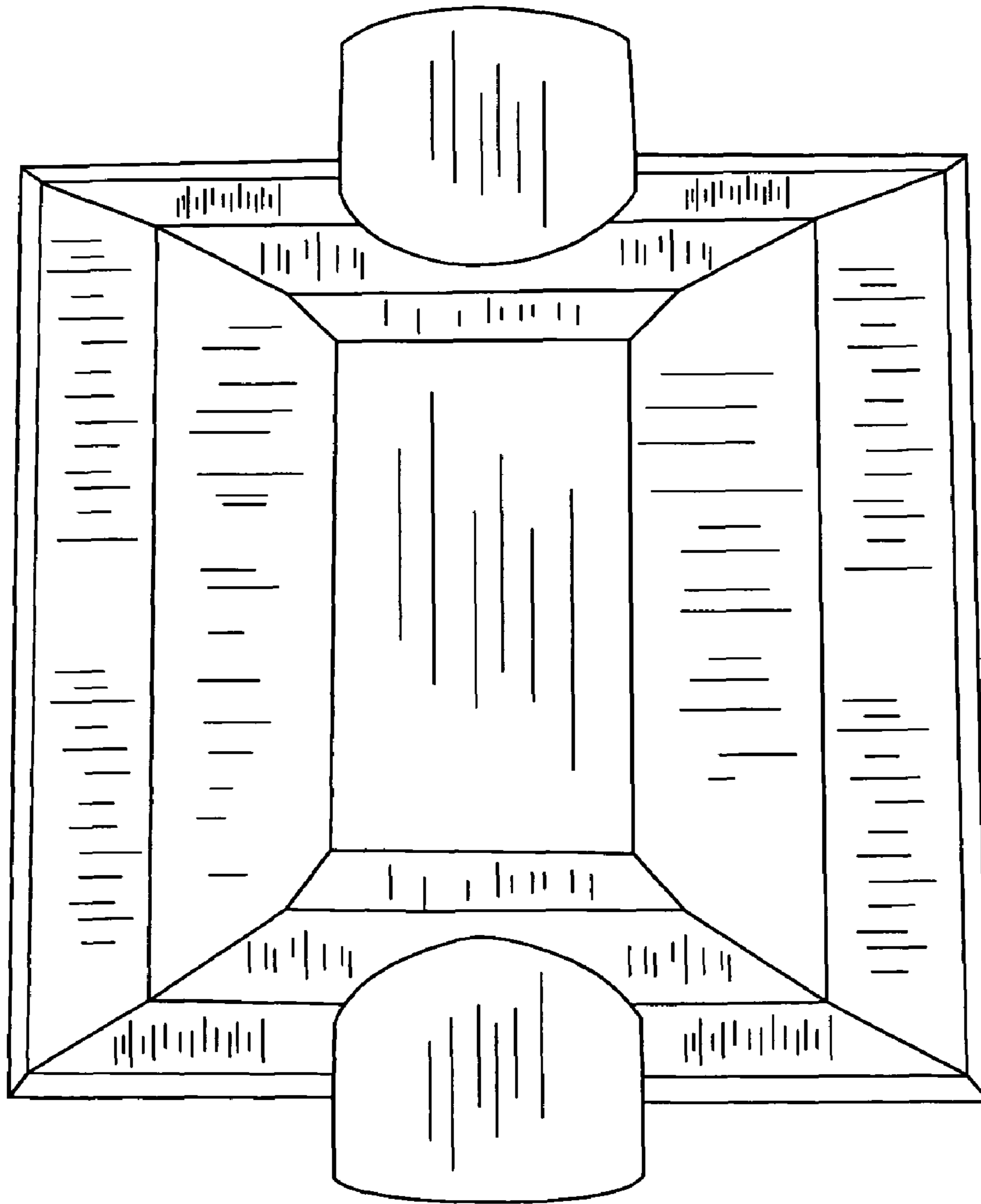


FIG. 7