



US00D634467S

(12) **United States Design Patent**  
**Chen**

(10) **Patent No.:** **US D634,467 S**  
(45) **Date of Patent:** **\*\* Mar. 15, 2011**

(54) **LIGHT GUIDING DEVICE FOR LED LAMP**

(75) Inventor: **Chin-Yi Chen**, Taipei County (TW)

(73) Assignee: **Yi-Jin Industrial Co., Ltd.**,  
Xin-Zhuang, Taipei County (TW)

(\*\*) Term: **14 Years**

(21) Appl. No.: **29/367,710**

(22) Filed: **Aug. 12, 2010**

(51) **LOC (9) Cl.** ..... **26-99**

(52) **U.S. Cl.** ..... **D26/118**

(58) **Field of Classification Search** ..... D26/136,  
D26/63, 28, 60, 61, 142, 138, 141, 120, 118,  
D26/88, 40, 37, 41, 42, 81, 84, 85, 113, 2,  
D26/3, 123; 362/105, 475, 473, 219, 240,  
362/244, 246, 294, 249.01–249.11, 179;  
D13/147, 179, 180, 108, 134; 315/58; D34/27;  
D9/425, 431, 756; D8/354; 40/553, 617,  
40/492; D20/10, 42; D25/124; 439/22

See application file for complete search history.

(56) **References Cited**

U.S. PATENT DOCUMENTS

D145,583 S \* 9/1946 Lolli ..... D26/103  
3,600,572 A \* 8/1971 Grunwald ..... 362/358  
3,899,712 A \* 8/1975 Witting ..... 313/493  
D280,344 S \* 8/1985 Anderson et al. .... D26/3

D448,096 S \* 9/2001 Choi ..... D26/3  
D484,995 S \* 1/2004 Vakil ..... D26/2  
D493,547 S \* 7/2004 Kim ..... D26/3  
D568,499 S \* 5/2008 Foo ..... D26/3  
D597,227 S \* 7/2009 Kim et al. .... D26/3

\* cited by examiner

*Primary Examiner* — Cathron C Brooks  
*Assistant Examiner* — Kevin K Rudzinski

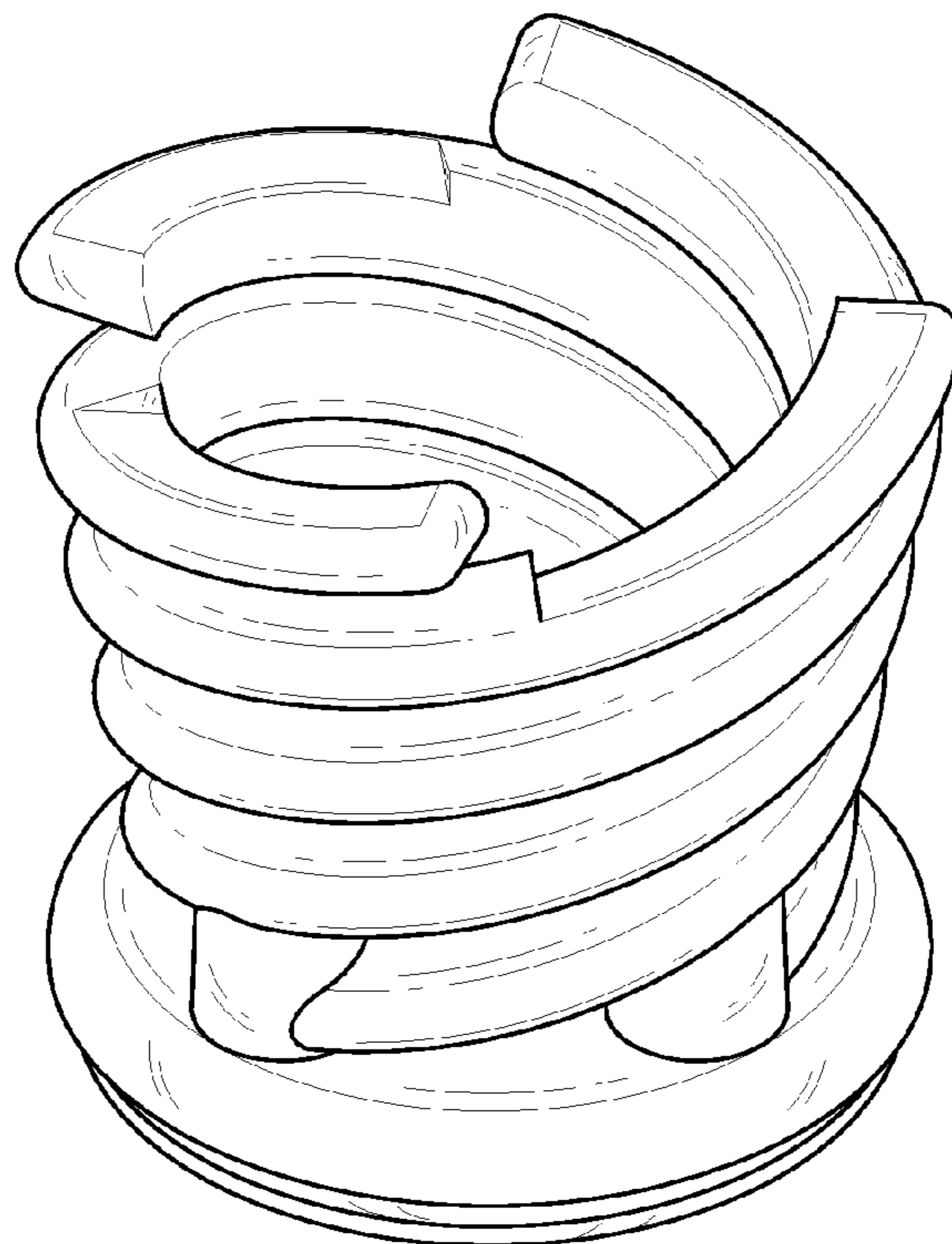
(57) **CLAIM**

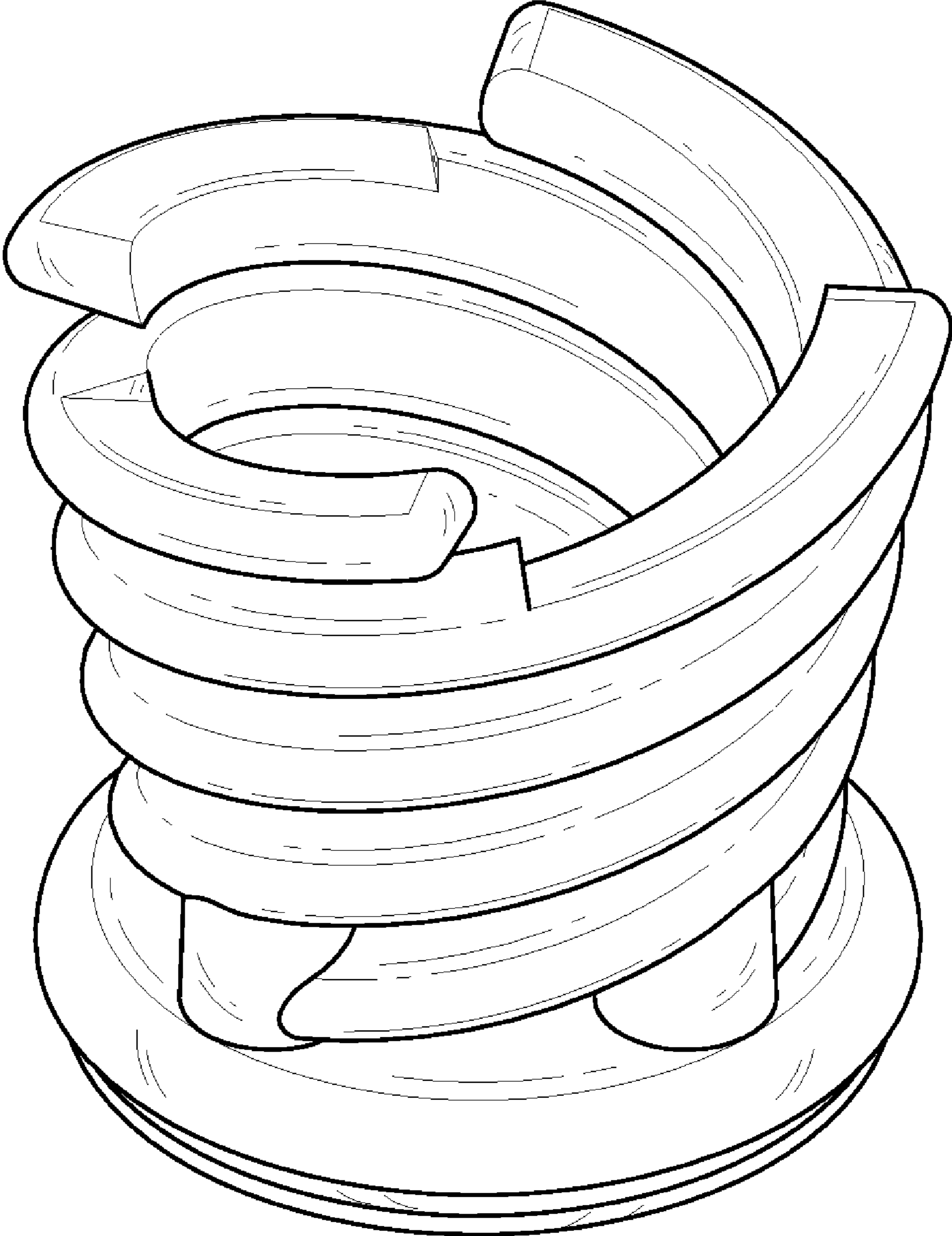
I claim the ornamental design for light guiding device for LED lamp, as shown and described.

**DESCRIPTION**

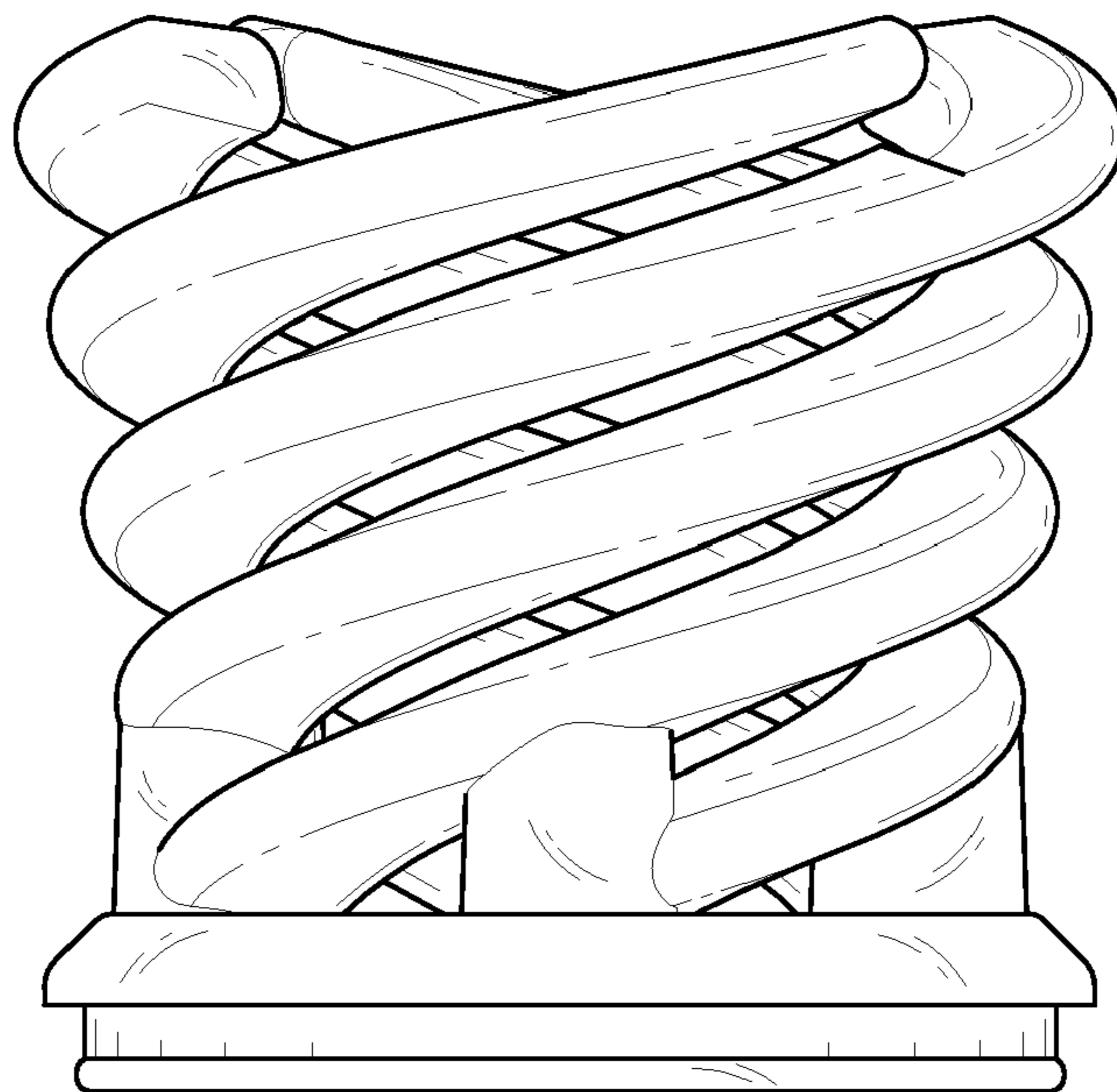
FIG. 1 is a perspective view of light guiding device for LED lamp showing my new design;  
FIG. 2 is a front elevational view thereof  
FIG. 3 is a rear elevational view thereof;  
FIG. 4 is a left side elevational view thereof;  
FIG. 5 is a right side elevational view thereof;  
FIG. 6 is a top plan view thereof; and,  
FIG. 7 is a bottom plan view thereof.  
FIG. 8 is a top perspective view of the light guiding device for LED lamp showing the environment of the invention.  
The broken lines shown in the drawings are included for the purpose of illustrating environmental structure and form no part of the claimed design.

**1 Claim, 5 Drawing Sheets**

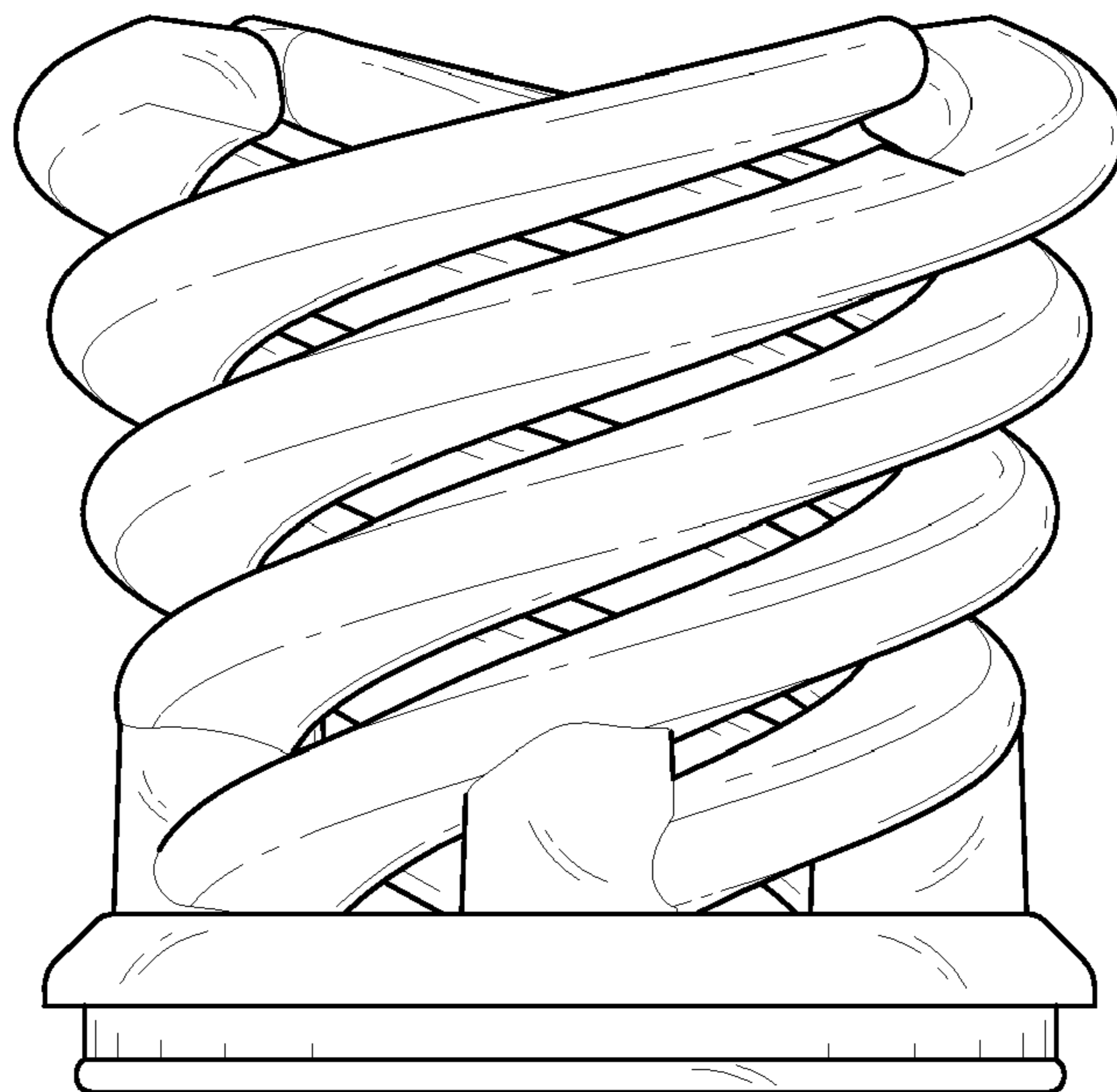




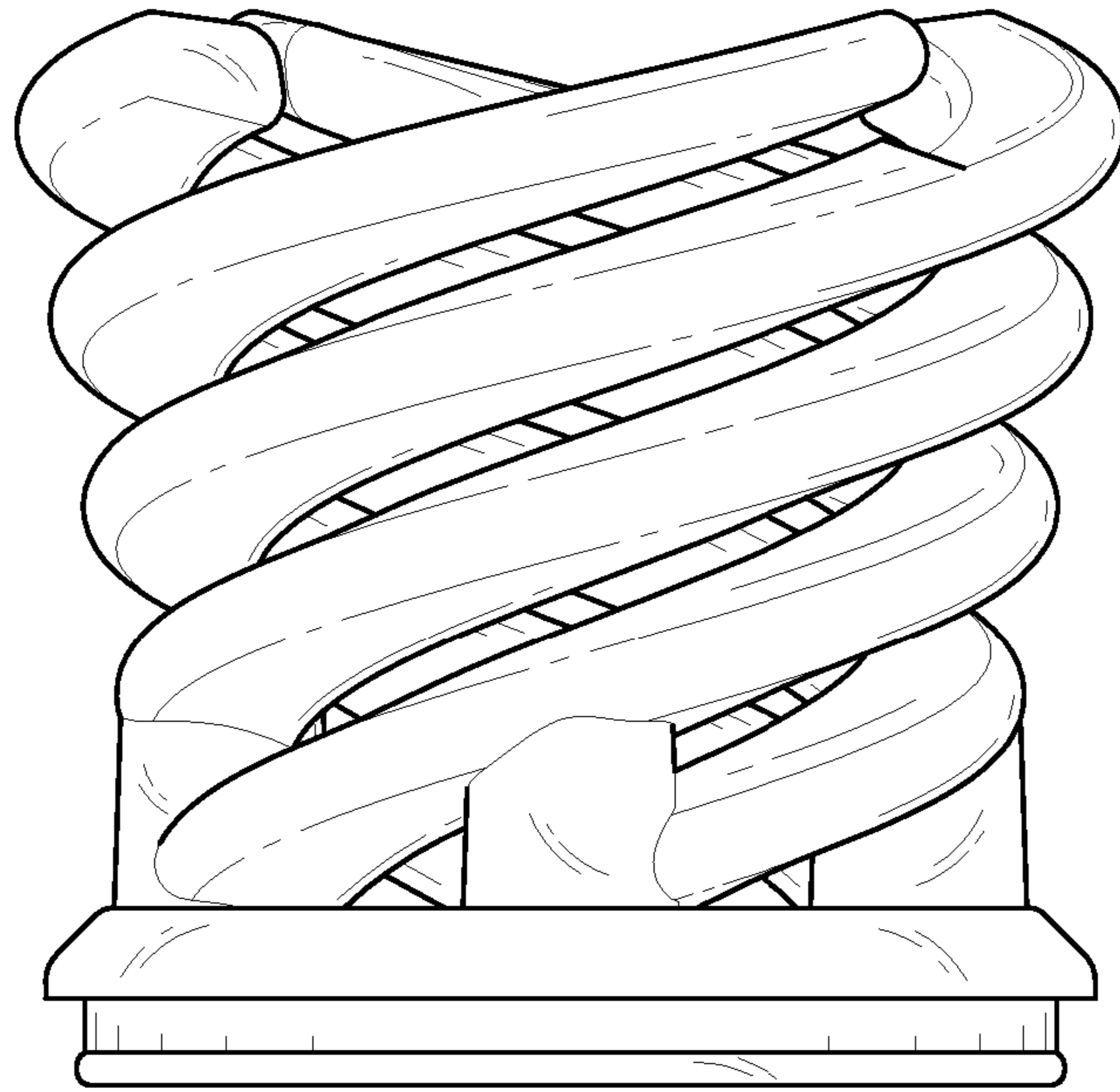
**FIG. 1**



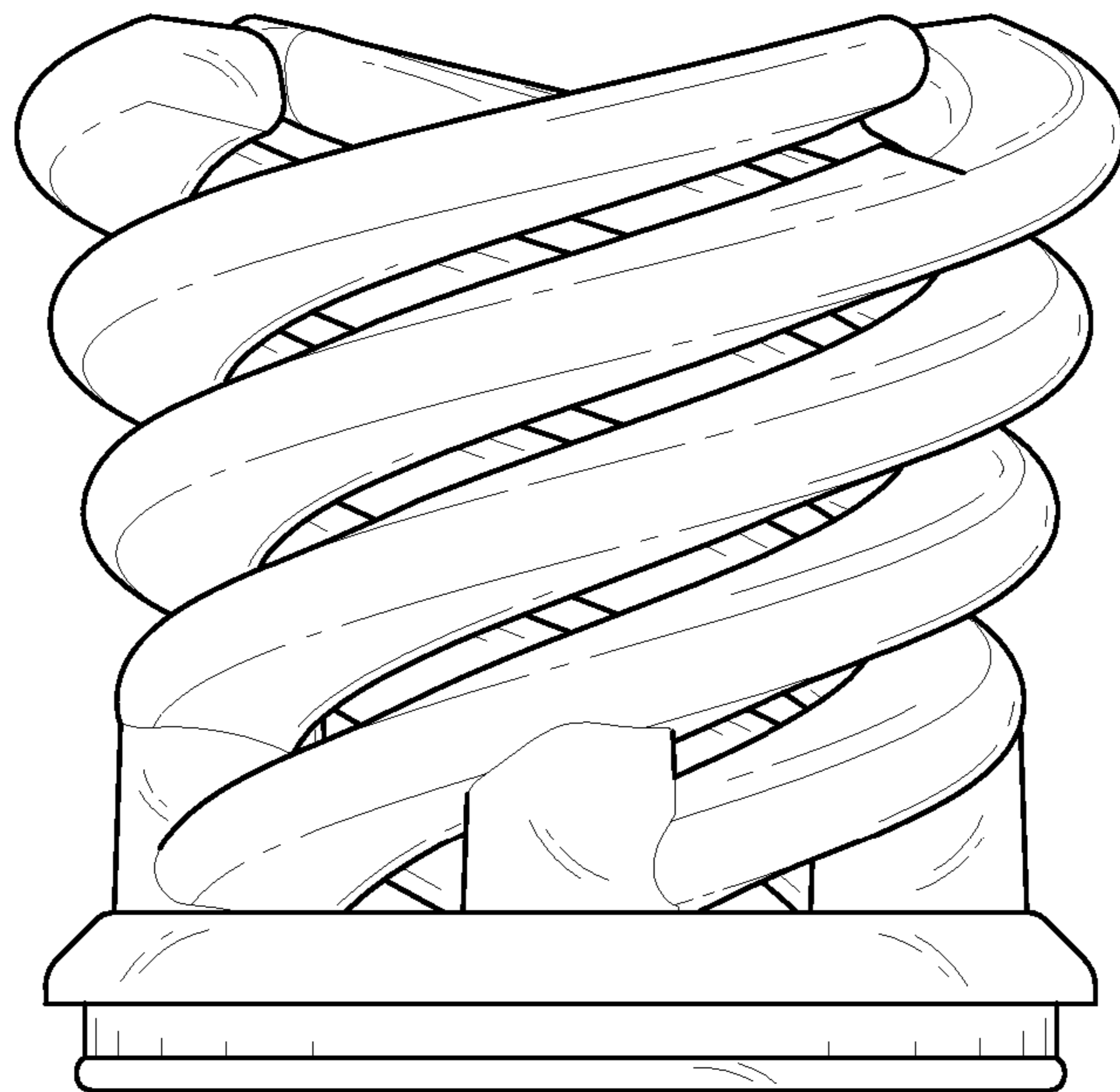
**FIG. 2**



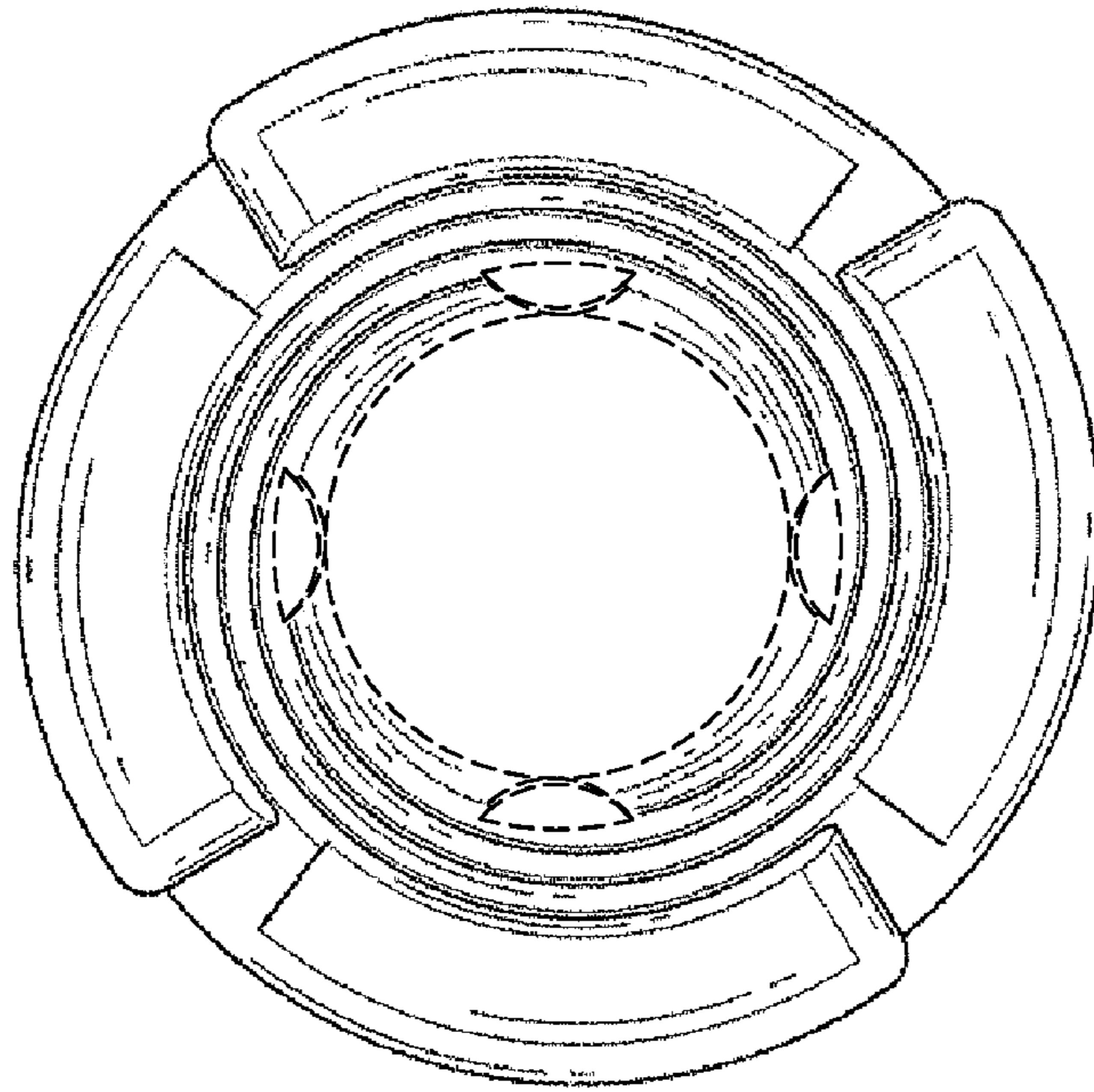
**FIG. 3**



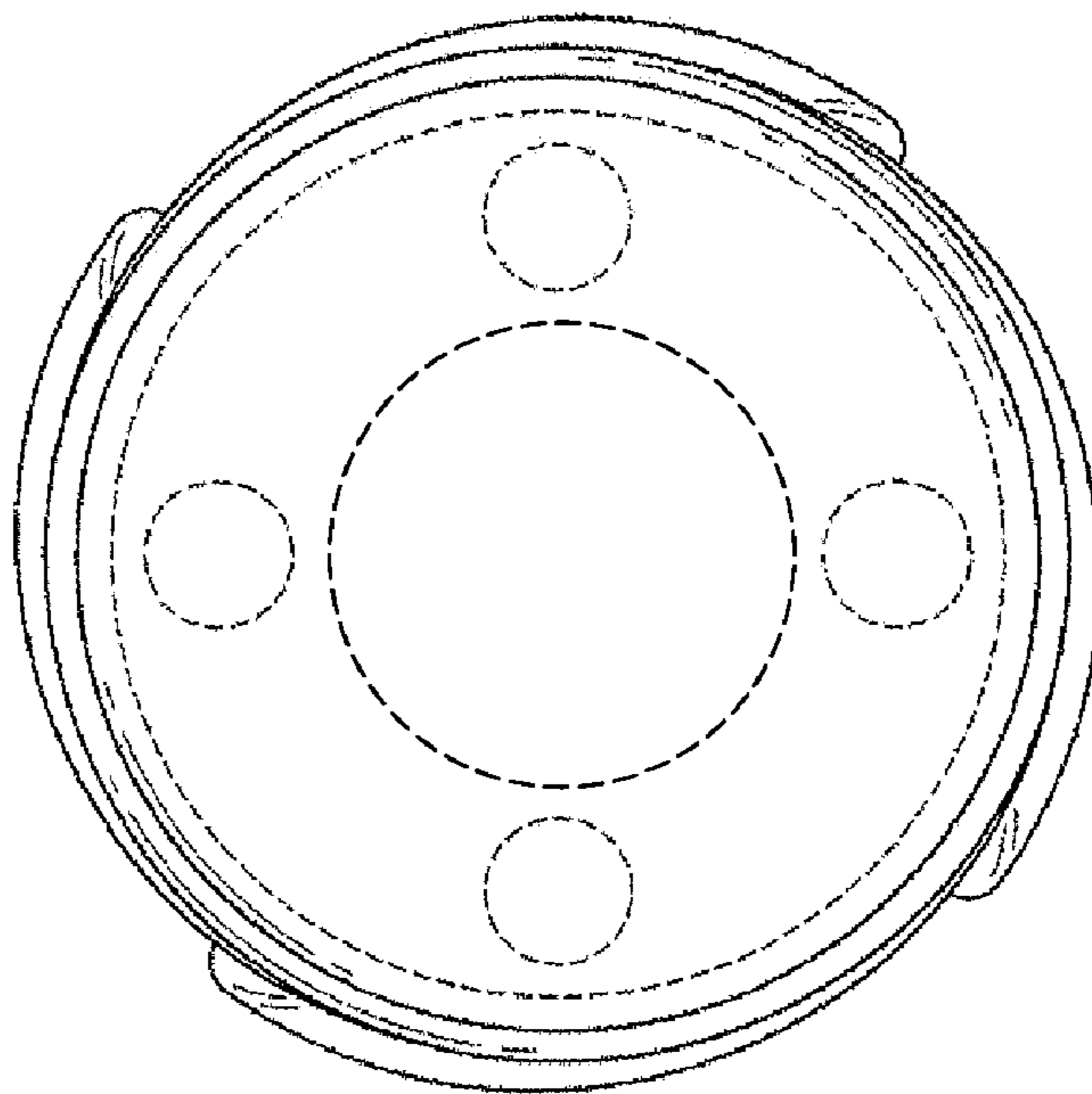
**FIG. 4**



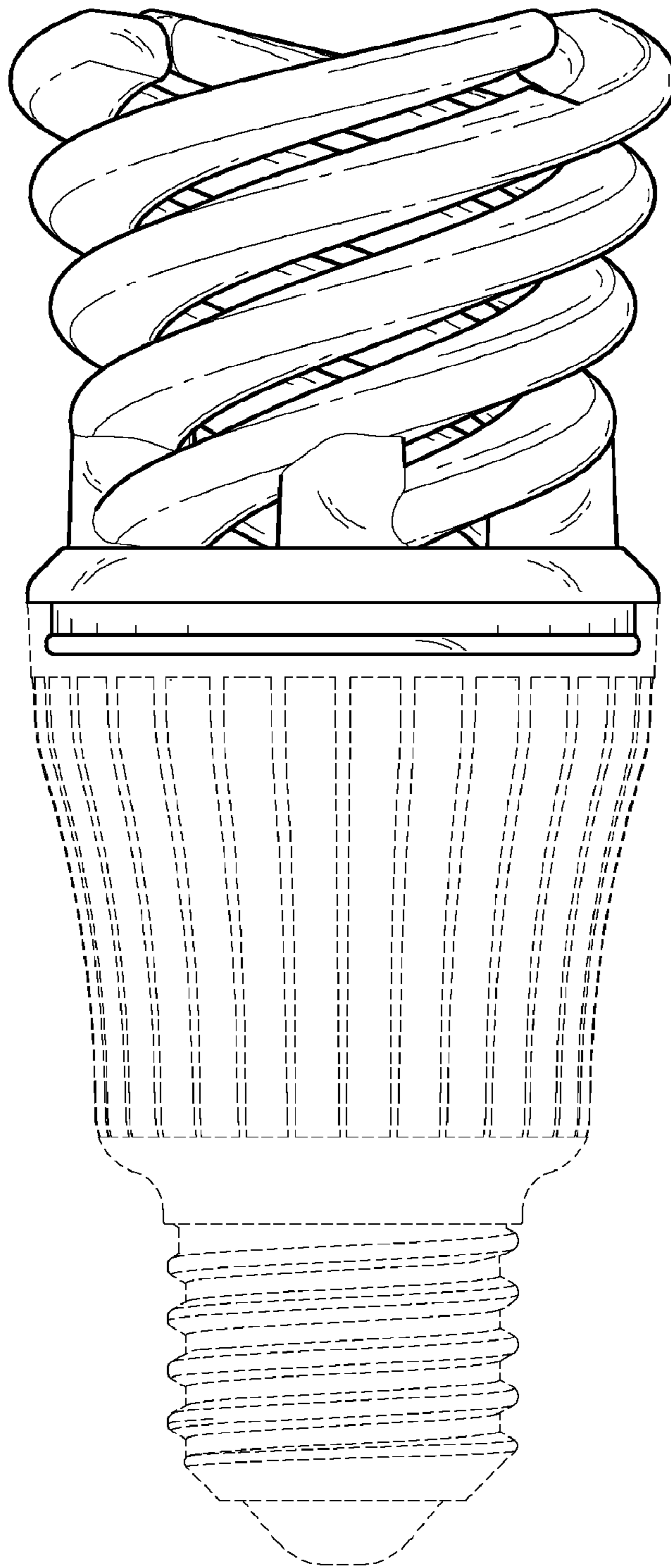
**FIG. 5**



**FIG. 6**



**FIG. 7**



**FIG. 8**