



US00D634464S

(12) **United States Design Patent**  
**Baker et al.**

(10) **Patent No.:** **US D634,464 S**  
(45) **Date of Patent:** **\*\* Mar. 15, 2011**

(54) **FLASHLIGHT**

(75) Inventors: **Kathleen Baker**, New Fairfield, CT (US); **Stuart A. Karten**, Venice, CA (US); **Eric W. Olson**, Los Angeles, CA (US); **Eric Gregory Schmid**, Culver City, CA (US); **Paul Trotman Kirley**, Los Angeles, CA (US); **Jonathan Abarbanel**, Los Angeles, CA (US); **James Sener**, Glastonbury, CT (US); **Christopher D. Hageman**, South Glastonbury, CT (US)

(73) Assignee: **The Gillette Company**, Boston, MA (US)

(\*\*) Term: **14 Years**

(21) Appl. No.: **29/335,396**

(22) Filed: **Apr. 15, 2009**

(51) **LOC (9) Cl.** ..... **26-02**

(52) **U.S. Cl.** ..... **D26/49**

(58) **Field of Classification Search** ..... D26/37,  
D26/38, 40-50; 362/157, 158, 183-199,  
362/202-208

See application file for complete search history.

(56) **References Cited**

**U.S. PATENT DOCUMENTS**

D149,726 S *	5/1948	Amstutz	.....	D26/49
D188,288 S *	6/1960	Hansen et al.	.....	D26/49
D238,604 S	1/1976	Brindley		
D283,924 S *	5/1986	Yau	.....	D26/49
D308,257 S *	5/1990	Staubitz et al.	.....	D26/49
D311,778 S	10/1990	Dennis		
D331,293 S *	11/1992	Dickerson	.....	D26/49
D336,966 S *	6/1993	Yau	.....	D26/49
D351,477 S *	10/1994	Bamber	.....	D26/49
D422,733 S *	4/2000	Kung	.....	D26/49
D424,226 S *	5/2000	Petterson	.....	D26/49
D425,231 S *	5/2000	Lynch et al.	.....	D26/49
D428,506 S *	7/2000	Garrity et al.	.....	D26/49
D433,171 S *	10/2000	Petterson et al.	.....	D26/49

D444,898 S *	7/2001	Israel et al.	.....	D26/49
D463,594 S *	9/2002	Cheong et al.	.....	D26/49
D463,877 S *	10/2002	Kung	.....	D26/38
D513,642 S	1/2006	Zhang		
D518,216 S *	3/2006	Rugendyke et al.	.....	D26/49
D518,217 S *	3/2006	Rugendyke et al.	.....	D26/49
D520,167 S *	5/2006	Garrity	.....	D26/49
D521,170 S	5/2006	Craft et al.		
D521,670 S *	5/2006	Kung	.....	D26/49

(Continued)

**OTHER PUBLICATIONS**

Hesse et al., U.S. Appl. No. 29/336,536, filed May 5, 2009, entitled "Portion of a Flashlight".

(Continued)

*Primary Examiner* — Ian Simmons

*Assistant Examiner* — Carissa C Fitts

(74) *Attorney, Agent, or Firm* — Fish & Richardson P.C.

(57) **CLAIM**

The ornamental design for a flashlight, substantially as shown and described.

**DESCRIPTION**

FIG. 1 is a perspective view of the flashlight as seen from the front, top, right side;

FIG. 2 is a bottom view of the flashlight of FIG. 1;

FIG. 3 is a right side elevational view of the flashlight of FIG. 1, the other side elevational view being a mirror image thereof;

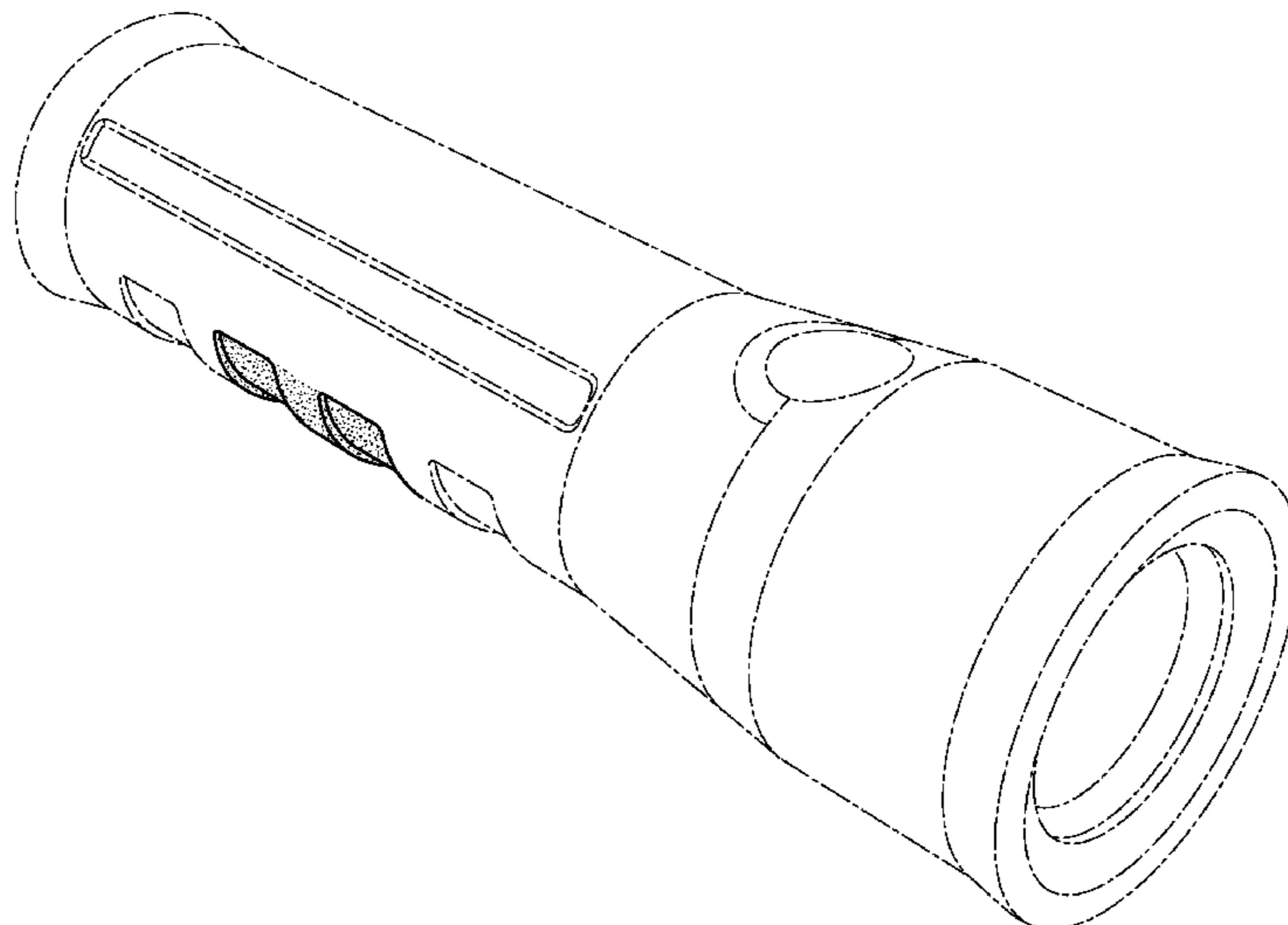
FIG. 4 is a perspective view of a second embodiment of the flashlight, as seen from the front, top, right side;

FIG. 5 is a top plan view of the flashlight of FIG. 4; and,

FIG. 6 is a right side elevational view of the flashlight of FIG. 4, the other side elevational view being a mirror image thereof.

The broken lines showing the remainder of the flashlight are for illustrative purposes only and form no part of the claimed design.

**1 Claim, 6 Drawing Sheets**



U.S. PATENT DOCUMENTS

D529,211	S	9/2006	Lee	
D551,366	S	9/2007	Galli	
D565,220	S *	3/2008	Galli	D26/49
D574,984	S	8/2008	Hesse et al.	
D579,594	S	10/2008	Hesse et al.	
D586,488	S *	2/2009	Kung	D26/49
D596,329	S *	7/2009	Galli	D26/49
D604,878	S *	11/2009	Kung	D26/49

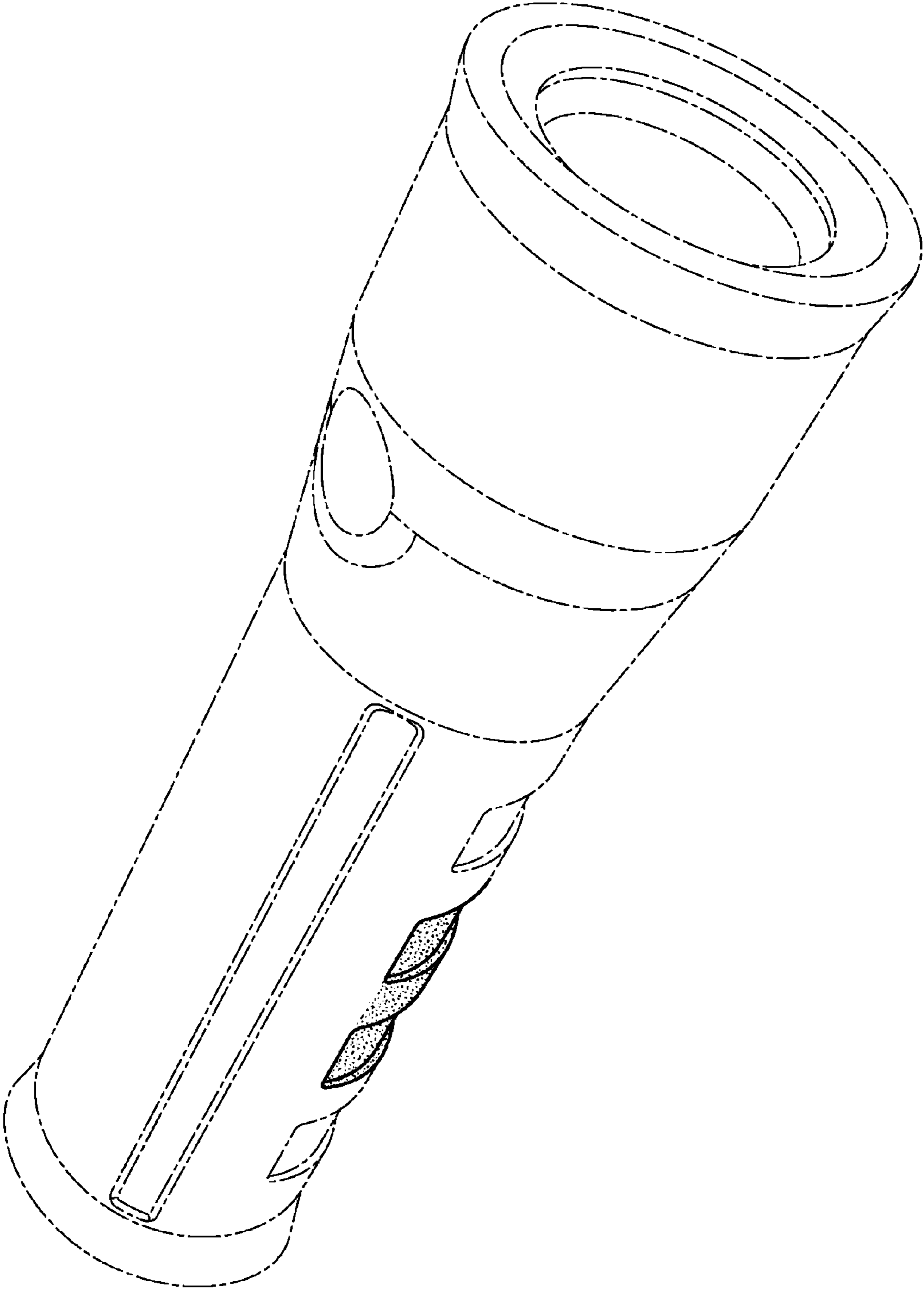
OTHER PUBLICATIONS

Baker et al., U.S. Appl. No. 29/335,400, filed Apr. 15, 2009, entitled "Portion of a Flashlight".  
Baker et al., U.S. Appl. No. 29/335,393, filed Apr. 15, 2009, entitled "Portion of a Flashlight".  
Baker et al., U.S. Appl. No. 29/314,643, filed Apr. 15, 2009, entitled "Portion of a Flashlight".

Hesse et al., U.S. Appl. No. 29/314,639, filed Apr. 15, 2009, entitled "Portion of a Flashlight".  
Hesse et al., U.S. Appl. No. 29/314,638, filed Apr. 15, 2009, entitled "Portion of a Headlamp".  
Baker et al., U.S. Appl. No. 29/314,636, filed Apr. 15, 2009, entitled "Portion of a Flashlight".  
Baker et al., U.S. Appl. No. 29/314,630, filed Apr. 15, 2009, entitled "Portion of a Flashlight".  
"All-Purpose Flashlight", Item # 4930, Crestline Custom Imprinted Products, Summer 2008 Catalog, top right corner of p. 27, Examiner's Collection of NPL References, (catalog cover page included).  
Hesse et al., U.S. Appl. No. 29/296,218, filed Oct. 16, 2007, entitled "Flashlight".  
Hesse et al., U.S. Appl. No. 29/292,537, filed Oct. 16, 2007, entitled "Flashlight".

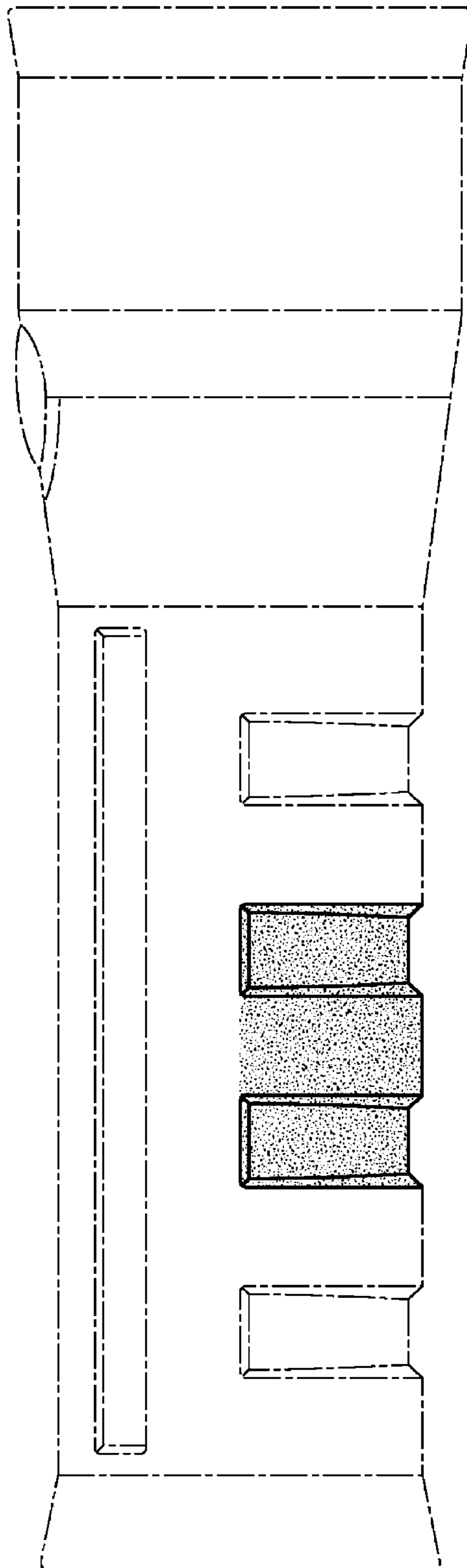
\* cited by examiner

**FIG. 1**

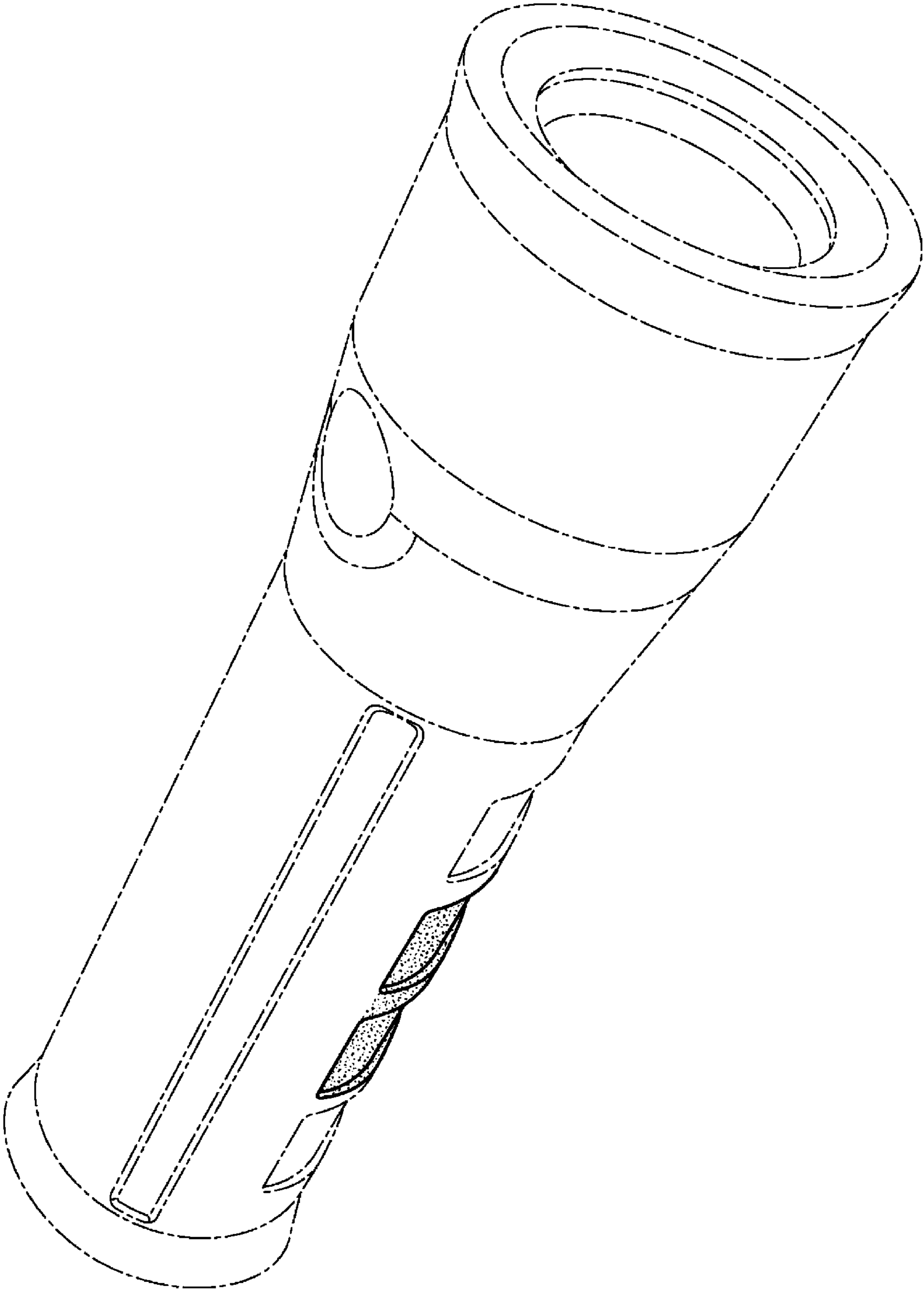




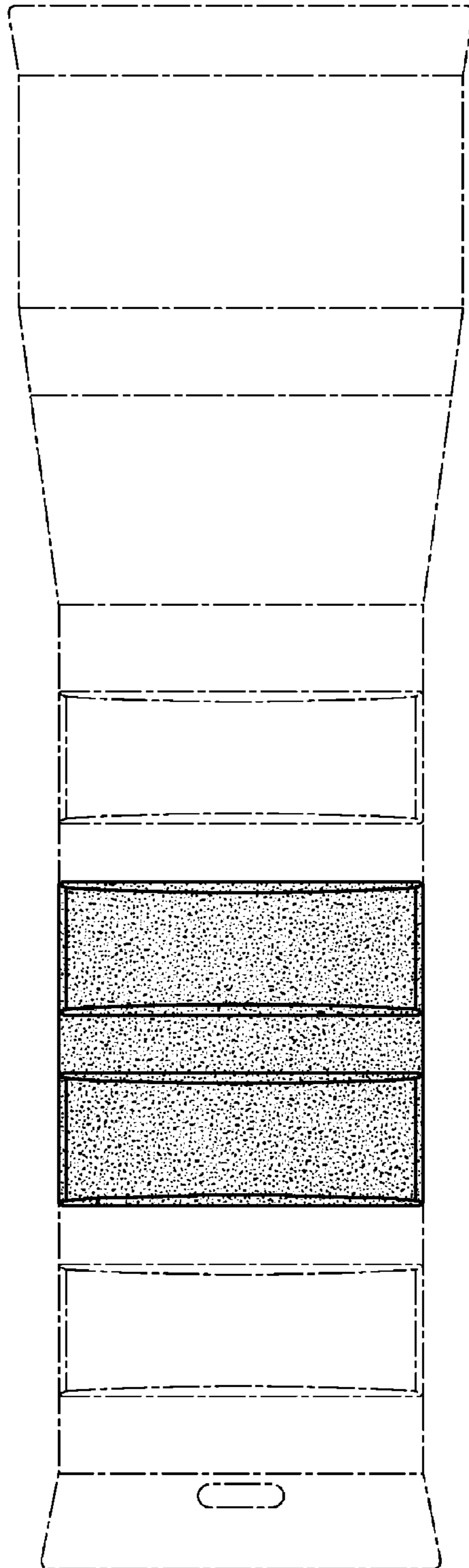
**FIG. 3**



**FIG. 4**



**FIG. 5**



**FIG. 6**

