



US00D634462S

(12) **United States Design Patent**
Baker et al.

(10) **Patent No.:** **US D634,462 S**
(45) **Date of Patent:** **** Mar. 15, 2011**

(54) **FLASHLIGHT**

(75) Inventors: **Kathleen Baker**, New Fairfield, CT (US); **Stuart A. Karten**, Venice, CA (US); **Eric W. Olson**, Los Angeles, CA (US); **Eric Gregory Schmid**, Culver City, CA (US); **Paul Trotman Kirley**, Los Angeles, CA (US); **Jonathan Abarbanel**, Los Angeles, CA (US)

(73) Assignee: **The Gillette Company**, Boston, MA (US)

(**) Term: **14 Years**

(21) Appl. No.: **29/335,400**

(22) Filed: **Apr. 15, 2009**

(51) **LOC (9) Cl.** **26-02**

(52) **U.S. Cl.** **D26/45; D26/37**

(58) **Field of Classification Search** D26/37, D26/38, 40-50; 362/157, 158, 183-199, 362/202-208; D8/14.1, 29.1, 61, 68, 303

See application file for complete search history.

(56) **References Cited**

U.S. PATENT DOCUMENTS

D245,282 S	8/1977	Brinkmann	
D256,845 S	9/1980	Zelina et al.	
4,233,655 A	11/1980	Zelina, Jr. et al.	
D278,084 S	3/1985	Parker et al.	
D353,216 S	12/1994	Sharrah et al.	
D356,875 S	3/1995	Zelina et al.	
D363,361 S	10/1995	Maglica	
D367,721 S	3/1996	Maglica	
D429,013 S *	8/2000	Poon	D26/45
D434,513 S *	11/2000	Poon	D26/45
D462,470 S *	9/2002	Krieger et al.	D26/45
D466,637 S *	12/2002	Gisser	D26/45
D481,814 S *	11/2003	Krieger et al.	D26/45
D481,815 S *	11/2003	Krieger et al.	D26/45
D493,555 S *	7/2004	Kung	D26/45

D500,155 S *	12/2004	Lee	D26/45
D507,066 S	7/2005	Smith	
D508,578 S *	8/2005	Shen	D26/45
D561,923 S *	2/2008	Hsu	D26/45
D574,984 S	8/2008	Hesse et al.	
D579,594 S	10/2008	Hesse et al.	

OTHER PUBLICATIONS

Hesse et al., U.S. Appl. No. 29/336,536, filed May 5, 2009, entitled "Portion of a Flashlight".

Baker et al., U.S. Appl. No. 29/335,396, filed Apr. 15, 2009, entitled "Portion of a Flashlight".

Baker et al., U.S. Appl. No. 29/335,393, filed Apr. 15, 2009, entitled "Portion of a Flashlight".

Baker et al., U.S. Appl. No. 29/314,643, filed Apr. 15, 2009, entitled "Portion of a Flashlight".

Hesse et al., U.S. Appl. No. 29/314,639, filed Apr. 15, 2009, entitled "Portion of a Headlamp".

Hesse et al., U.S. Appl. No. 29/314,638, filed Apr. 15, 2009, entitled "Portion of a Headlamp".

(Continued)

Primary Examiner — Ian Simmons

Assistant Examiner — Carissa C Fitts

(74) *Attorney, Agent, or Firm* — Fish & Richardson P.C.

(57) **CLAIM**

The ornamental design for a flashlight, substantially as shown and described.

DESCRIPTION

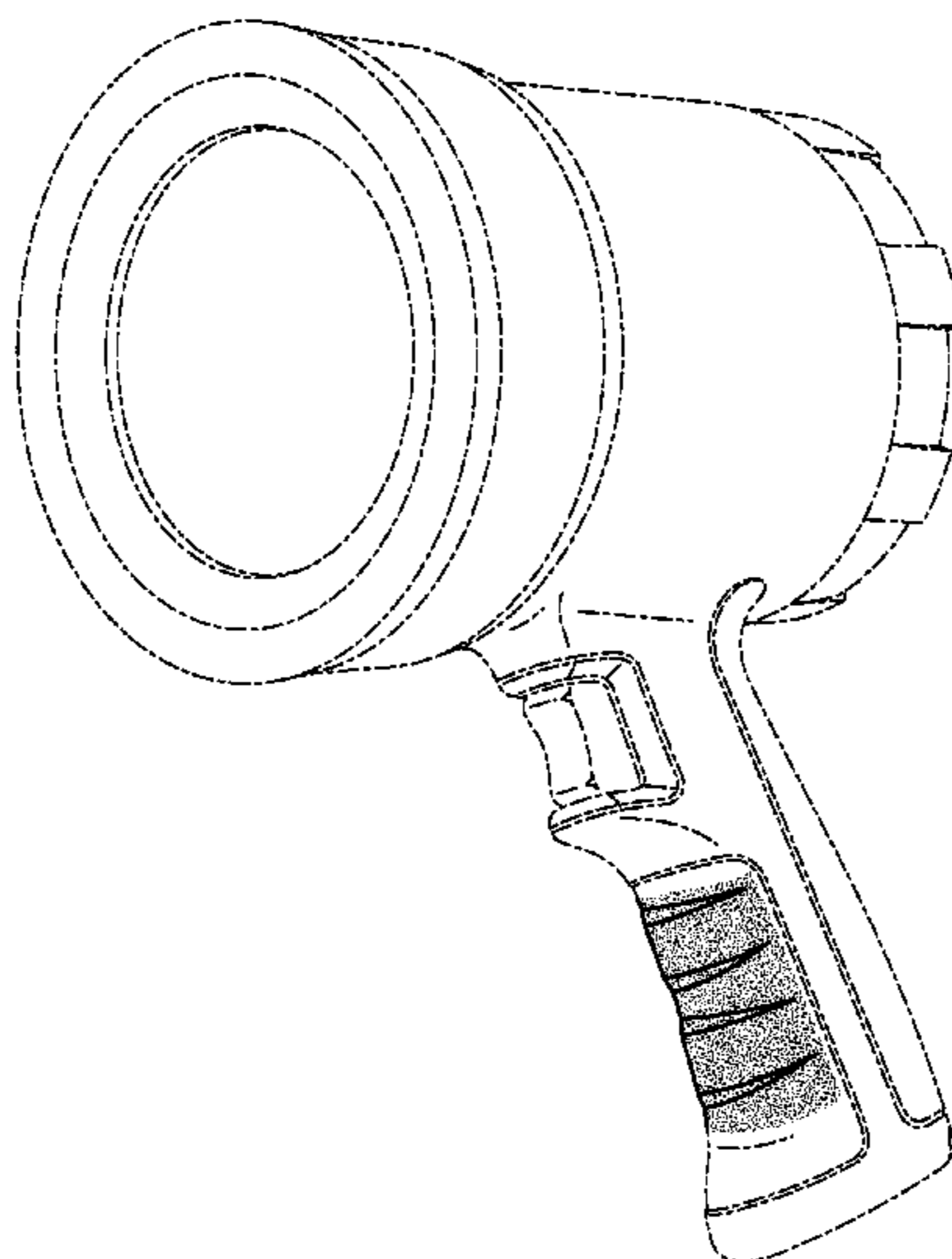
FIG. 1 is a perspective view of the flashlight as seen from the front, left side;

FIG. 2 is a front elevation view of the flashlight of FIG. 1; and,

FIG. 3 is a left side elevational view of the flashlight of FIG. 1, the other side elevational view being a mirror image thereof.

The broken lines showing the remainder of the flashlight are for illustrative purposes only and form no part of the claimed design.

1 Claim, 3 Drawing Sheets



OTHER PUBLICATIONS

Baker et al., U.S. Appl. No. 29/314,636, filed Apr. 15, 2009, entitled "Portion of a Flashlight".

Baker et al., U.S. Appl. No. 29/314,630, filed Apr. 15, 2009, entitled "Portion of a Flashlight".

"All-Purpose Flashlight", Item # 4930, Crestline Custom Imprinted Products, Summer 2008 Catalog, top right corner of p. 27.

Hesse et al., U.S. Appl. No. 29/296,218, filed Oct. 16, 2007, entitled "Flashlight".

Hesse et al., U.S. Appl. No. 29/292,537, filed Oct. 16, 2007, entitled "Flashlight".

Commercial Duracell battery (photograph), prior to Oct. 16, 2006.

* cited by examiner

FIG. 1

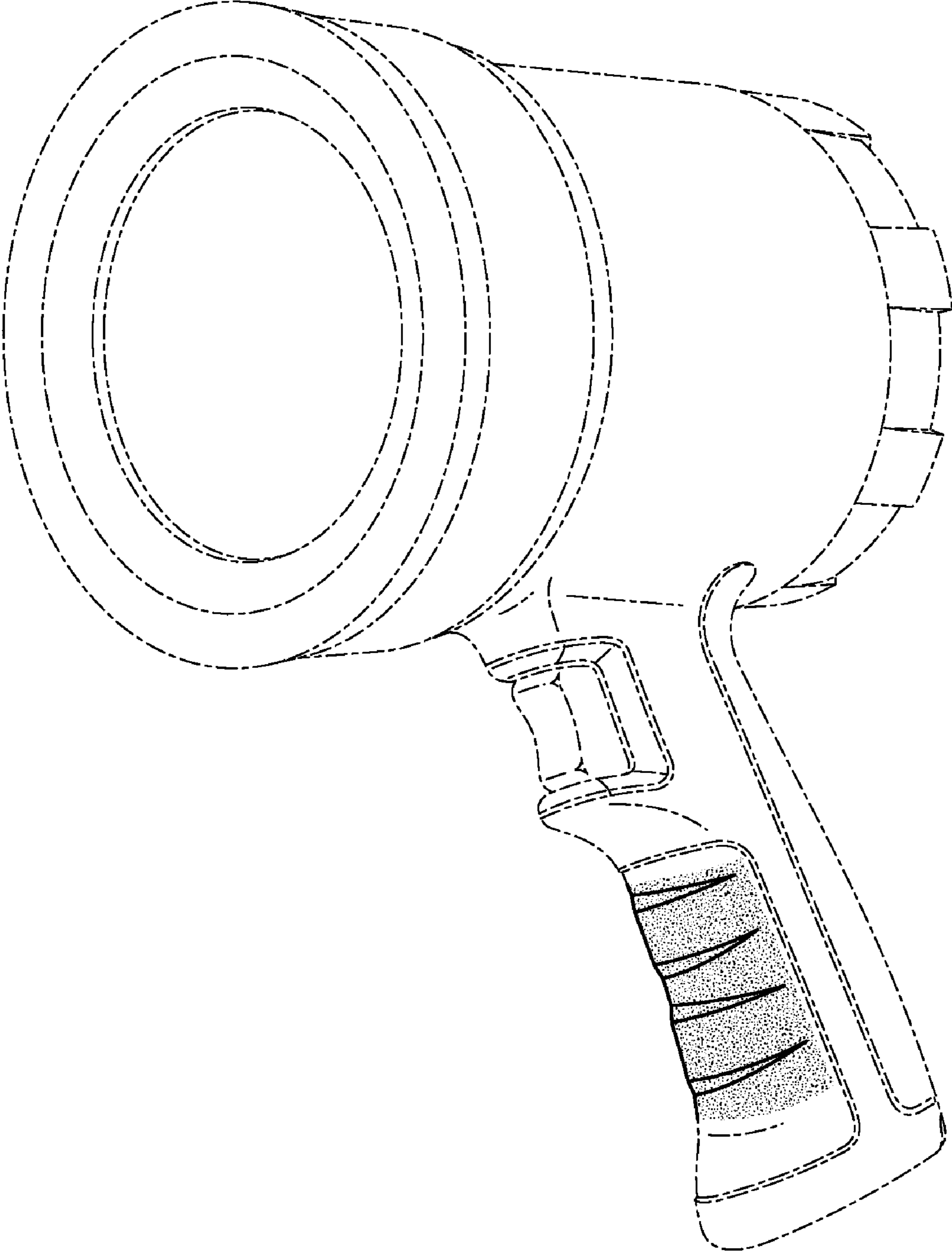


FIG. 2

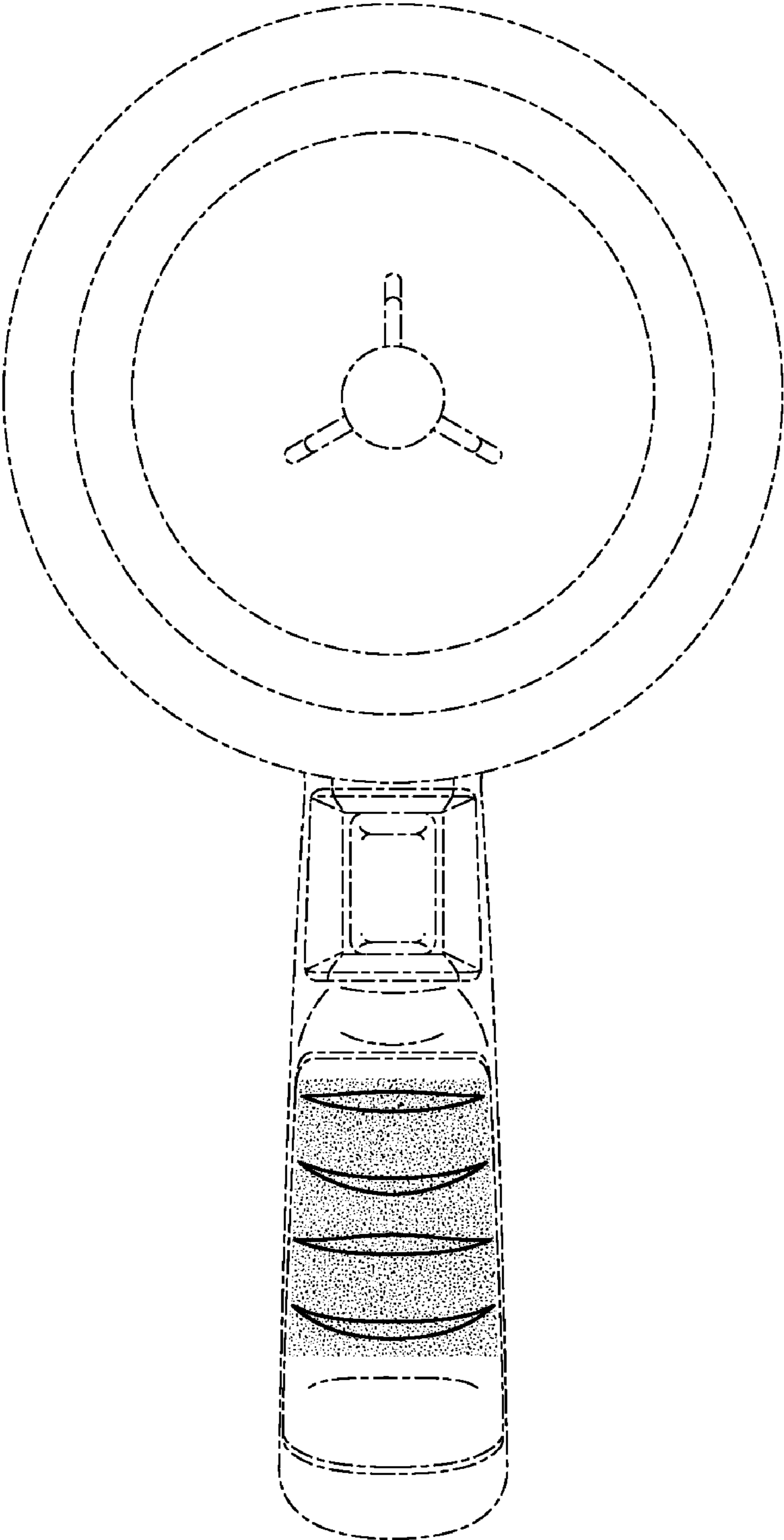


FIG. 3

