



US00D634459S

(12) **United States Design Patent**
Matthews

(10) **Patent No.:** **US D634,459 S**
(45) **Date of Patent:** **** Mar. 15, 2011**

(54) **EXTERIOR SURFACE CONFIGURATION OF A VEHICLE BRAKE LIGHT**

(76) Inventor: **Ronald Douglas Matthews**, Austin, TX (US)

(**) Term: **14 Years**

(21) Appl. No.: **29/349,276**

(22) Filed: **Mar. 22, 2010**

(51) **LOC (9) Cl.** **26-06**

(52) **U.S. Cl.** **D26/32**

(58) **Field of Classification Search** D26/28-36;
362/459-468, 475-478, 485-487

See application file for complete search history.

(56) **References Cited**

U.S. PATENT DOCUMENTS

D90,593 S *	8/1933	Pucunas	D26/32
D332,837 S *	1/1993	Kim	D26/32
D336,145 S *	6/1993	Reifslager	D26/29
D489,836 S *	5/2004	Hillen	D26/32

* cited by examiner

Primary Examiner — Marcus A Jackson

(57) **CLAIM**

The ornamental design for exterior surface configuration of a vehicle brake light, as shown and described.

DESCRIPTION

FIG. 1 is front perspective view of an exterior surface configuration of a vehicle brake light showing a first embodiment of my new design;

FIG. 2 is a front view of the exterior surface configuration of the vehicle brake light of FIG. 1;

FIG. 3 is a left side view of the exterior surface configuration of the vehicle brake light of FIG. 1;

FIG. 4 is a back view of the exterior surface configuration of the vehicle brake light of FIG. 1;

FIG. 5 is a right side view of the exterior surface configuration of the vehicle brake light of FIG. 1;

FIG. 6 is a top view of the exterior surface configuration of the vehicle brake light of FIG. 1;

FIG. 7 is a bottom view of the exterior surface configuration of the vehicle brake light of FIG. 1;

FIG. 8 is front perspective view of an exterior surface configuration of a vehicle brake light showing a second embodiment of my new design;

FIG. 9 is a front view of the exterior surface configuration of the vehicle brake light of FIG. 8;

FIG. 10 is a left side view of the exterior surface configuration of the vehicle brake light of FIG. 8;

FIG. 11 is a back view of the exterior surface configuration of the vehicle brake light of FIG. 8;

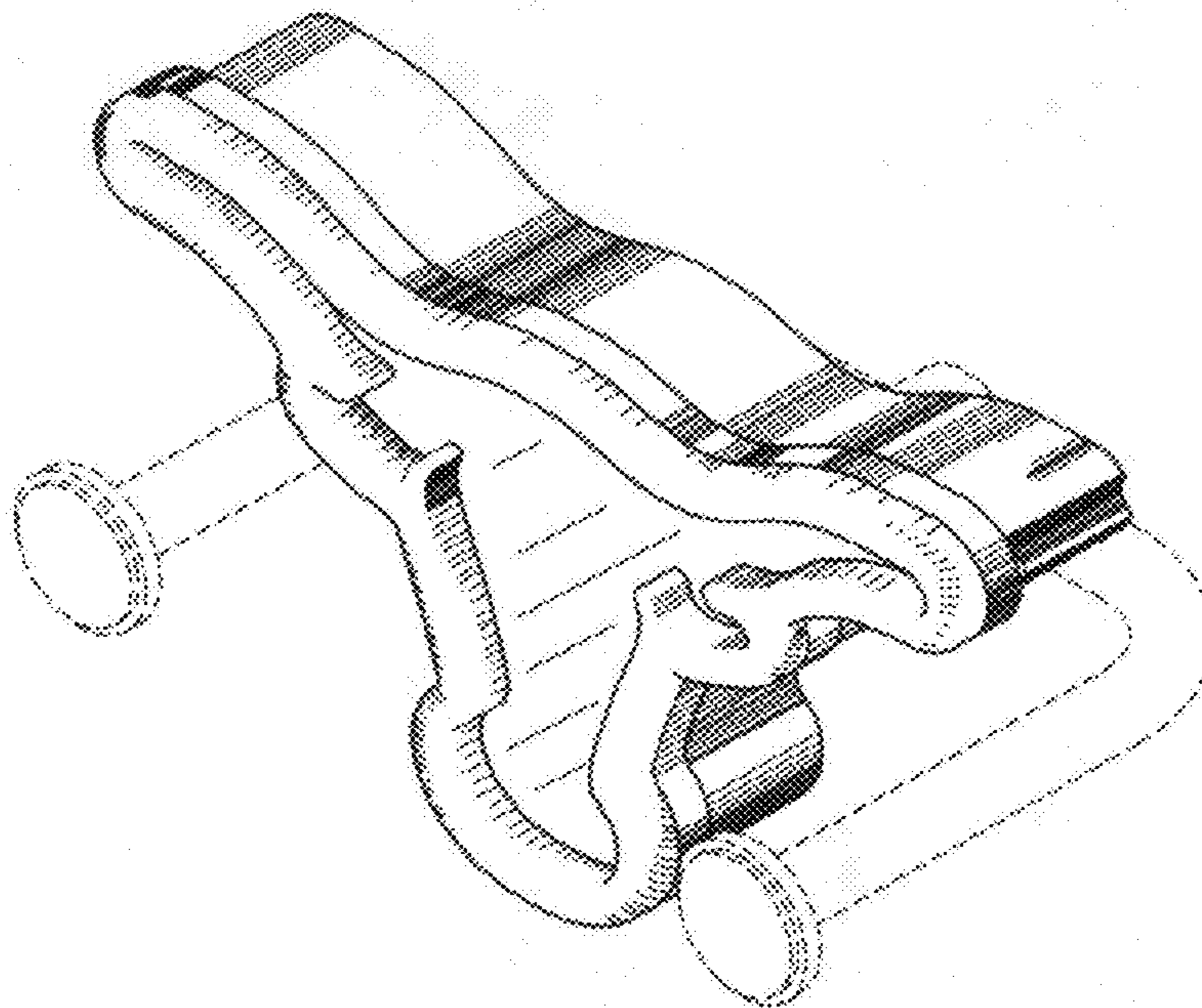
FIG. 12 is a right side view of the exterior surface configuration of the vehicle brake light of FIG. 8;

FIG. 13 is a top view of the exterior surface configuration of the vehicle brake light of FIG. 8; and,

FIG. 14 is a bottom view of the exterior surface configuration of the vehicle brake light of FIG. 8.

The mounting brackets shown in broken lines are for illustrative purposes only and form no part of the claimed design. The interior surface configuration (not shown) and the internal parts (not shown) of the vehicle brake light form no part of the claimed design.

1 Claim, 14 Drawing Sheets



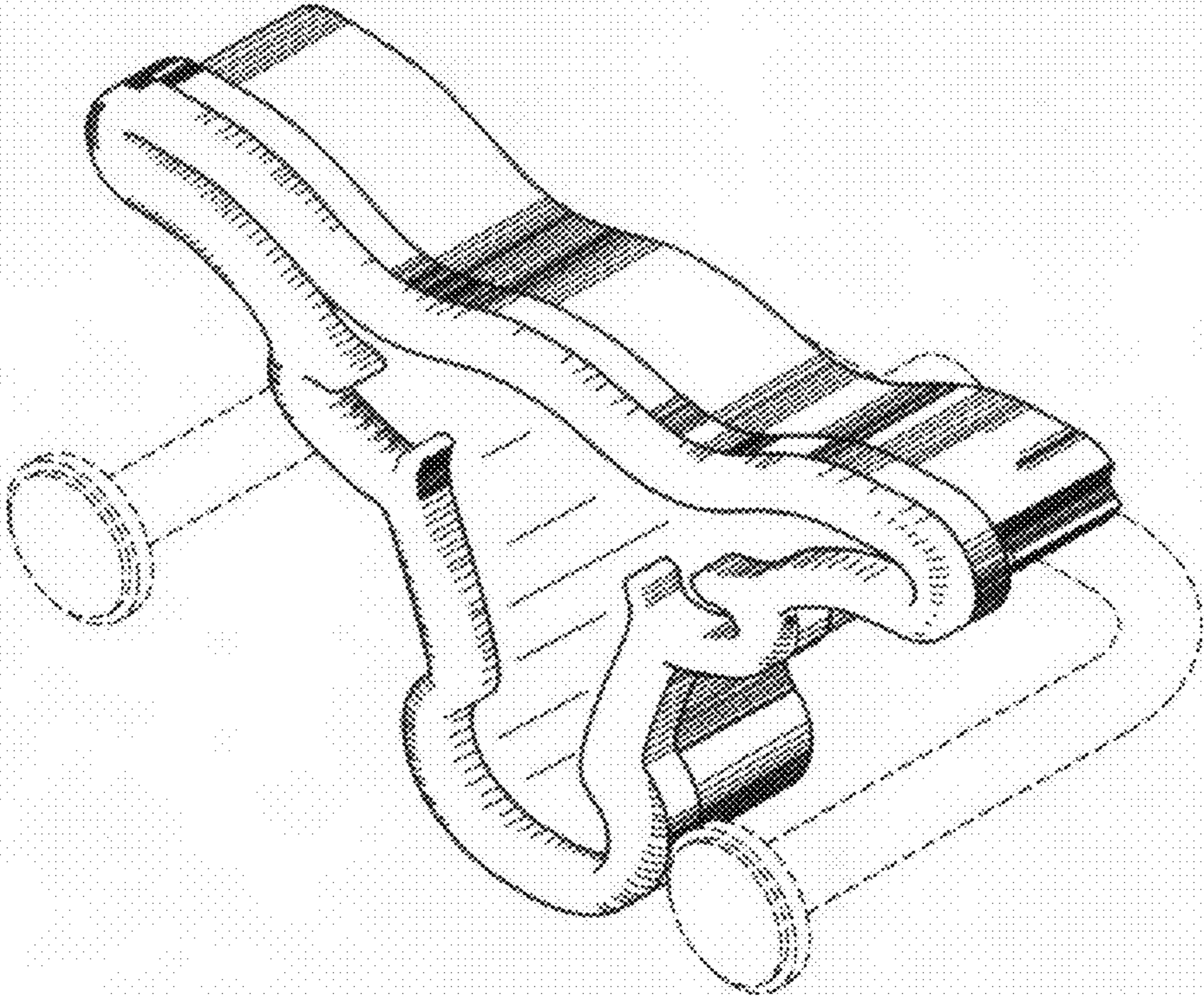


FIG. 1

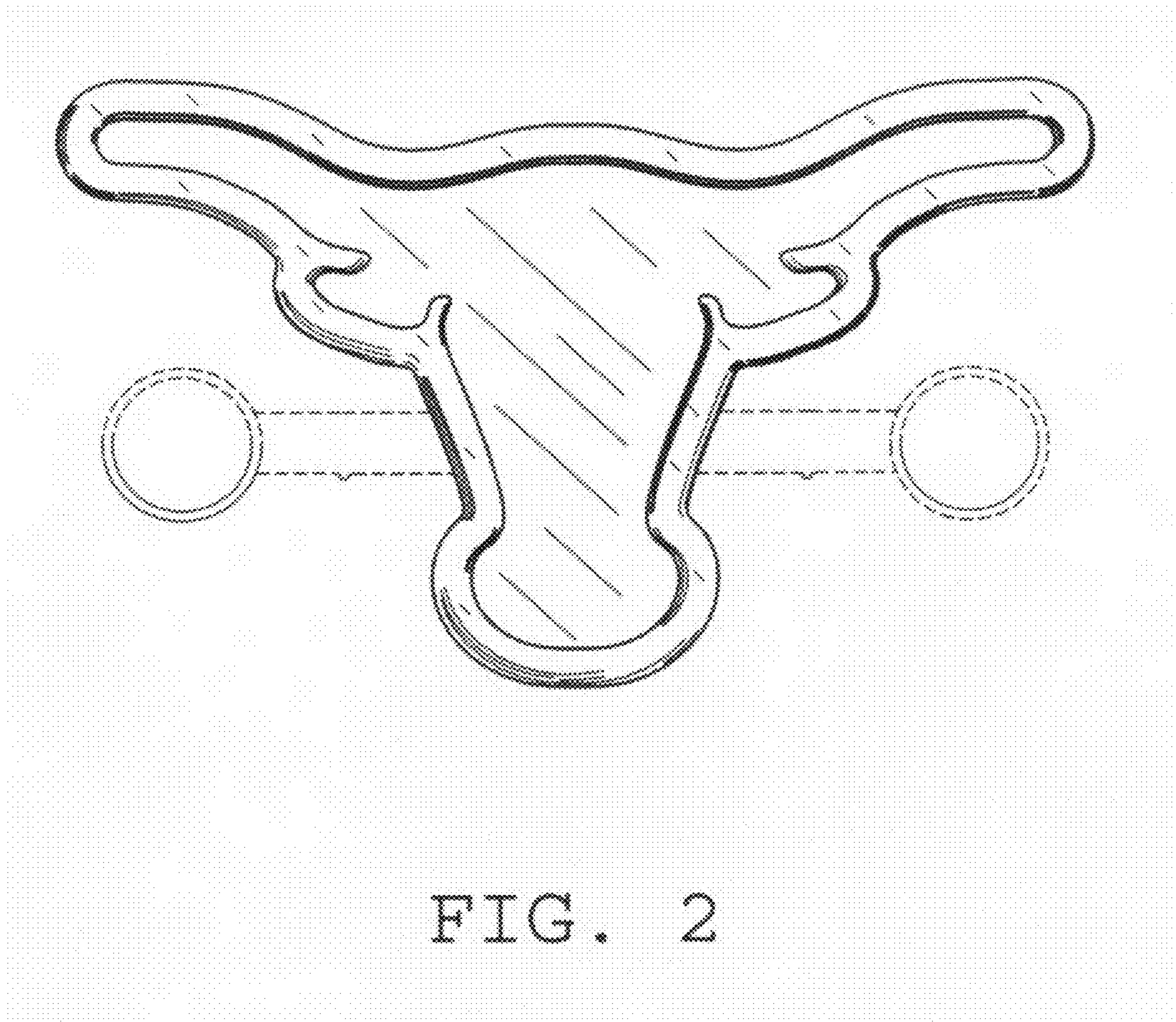


FIG. 2

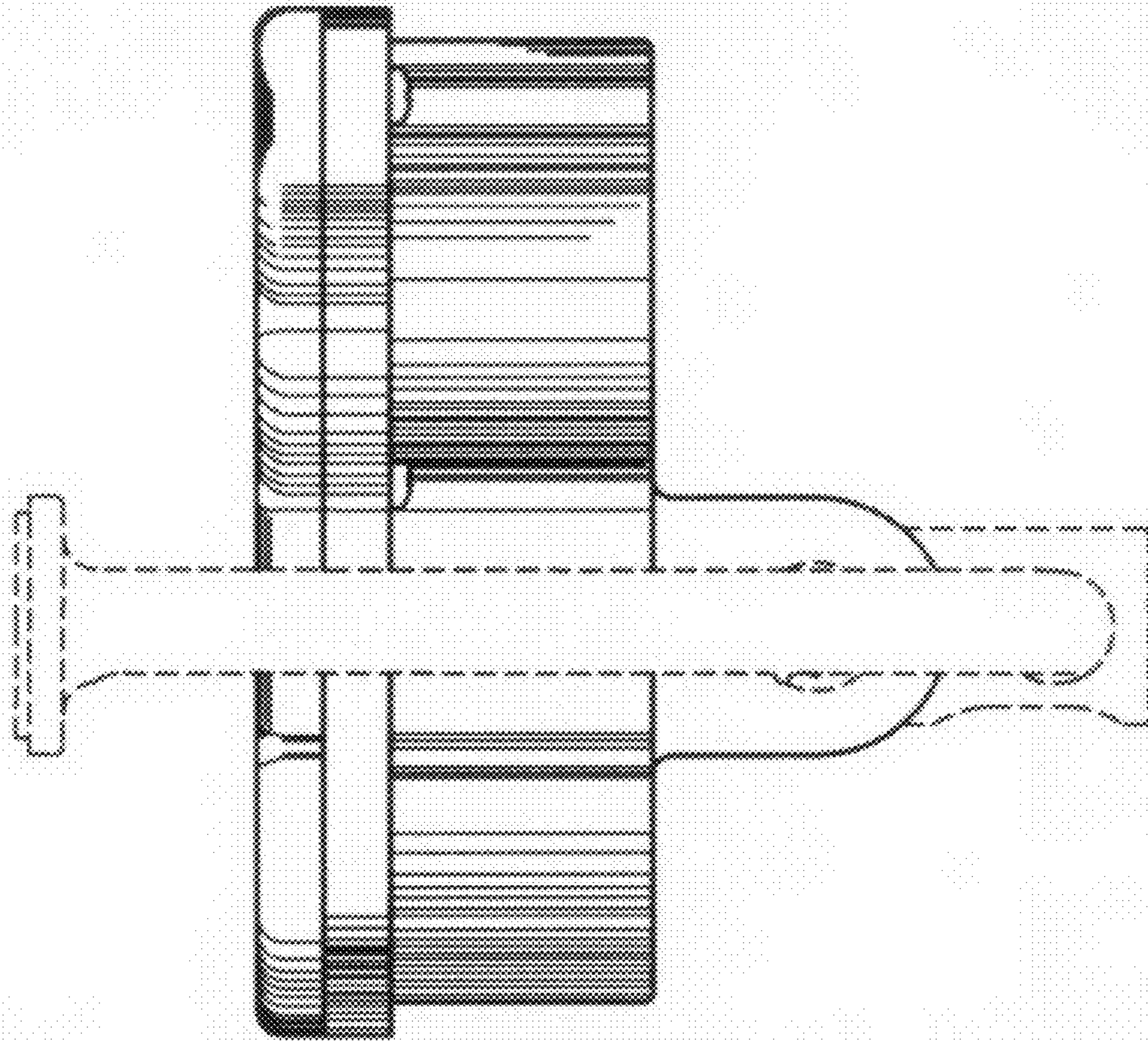


FIG. 3

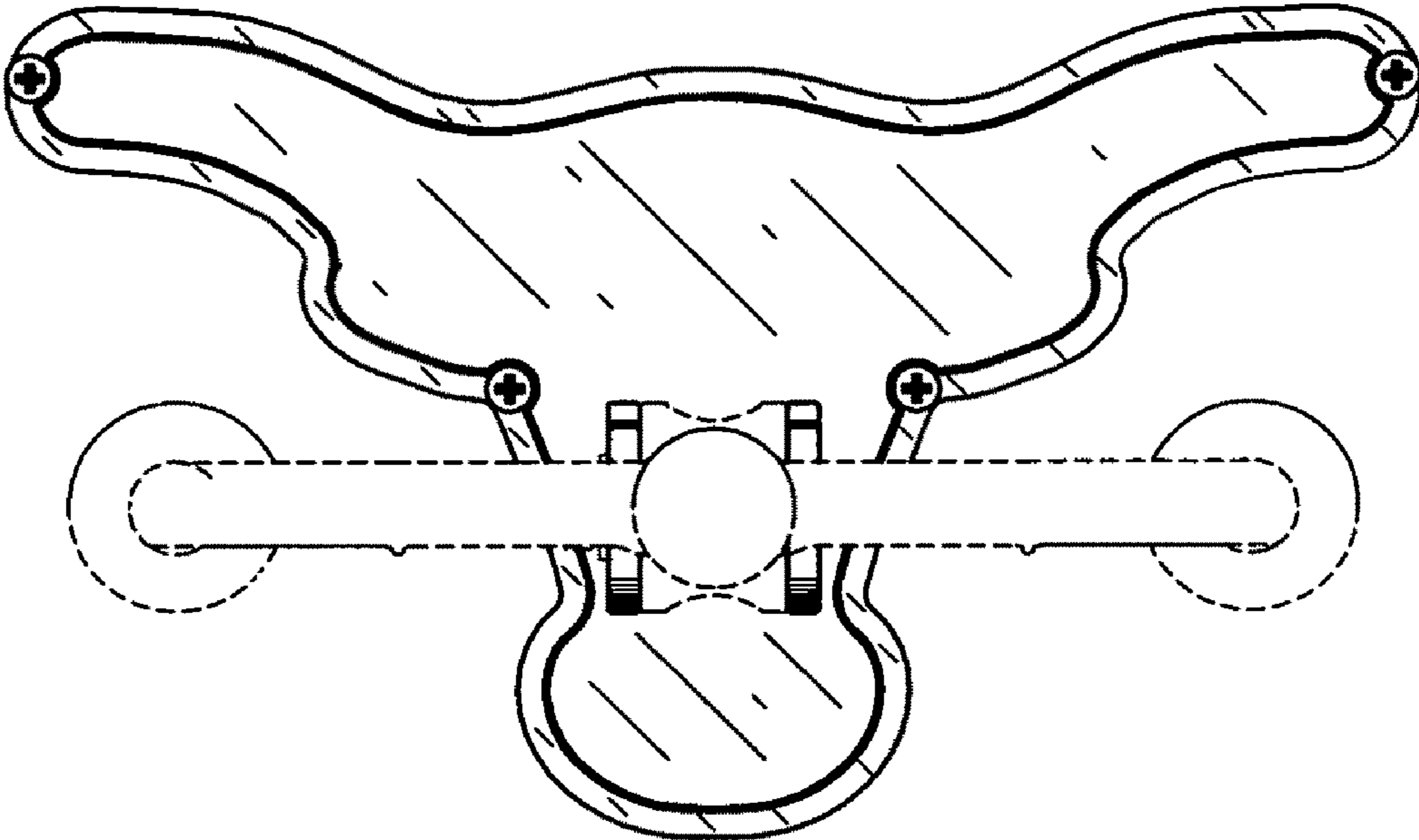


FIG. 4

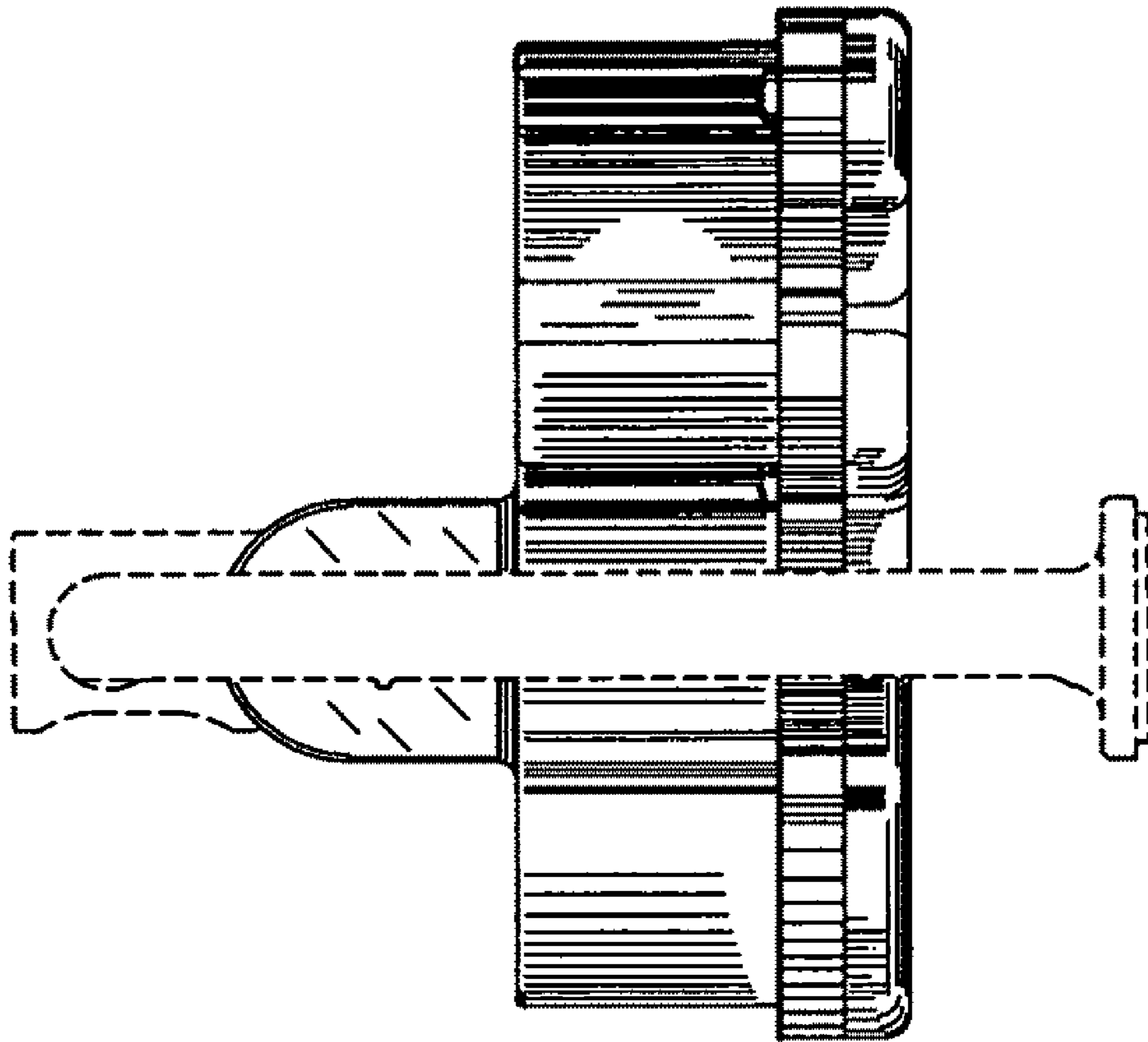


FIG. 5

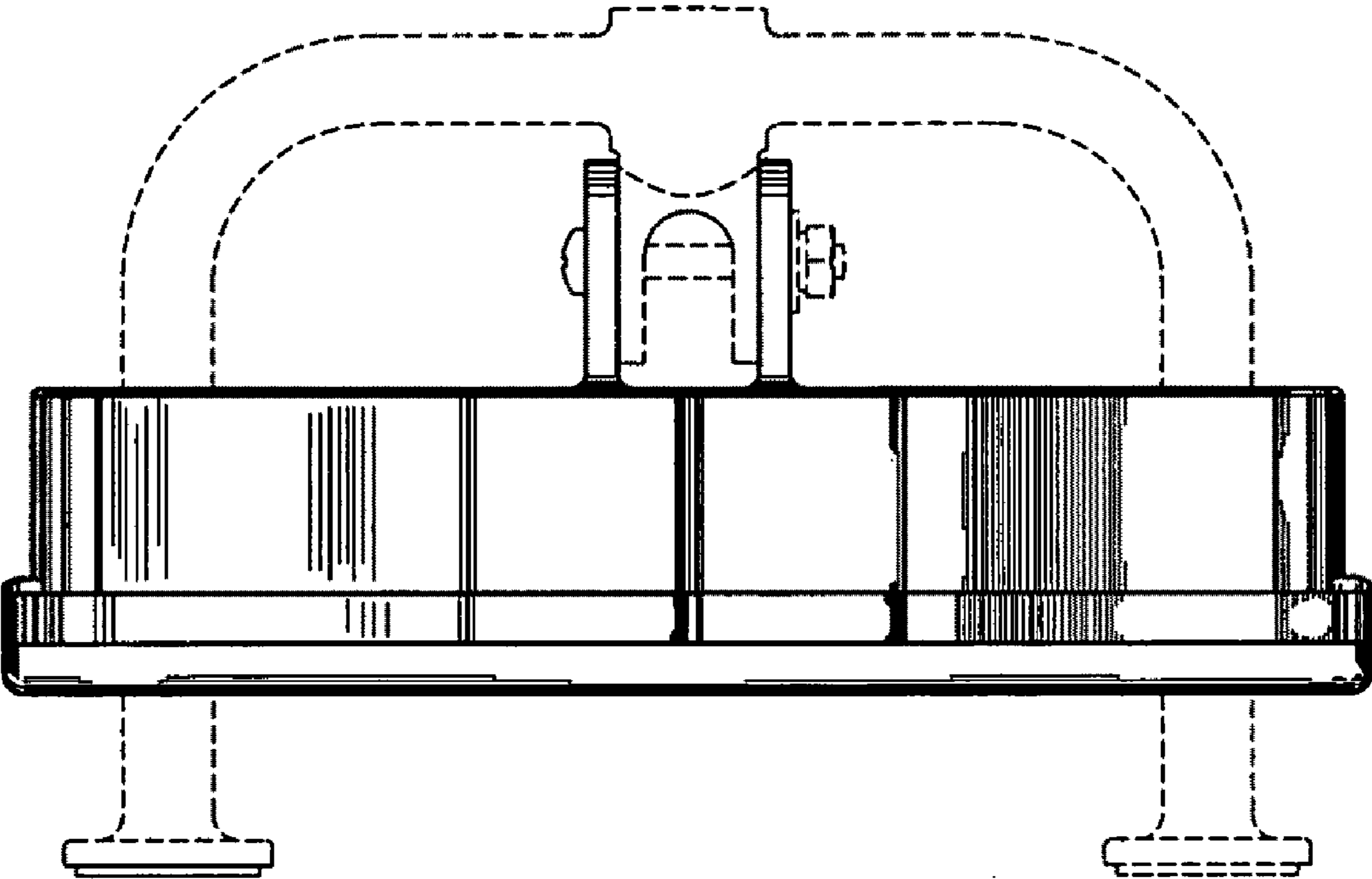


FIG. 6

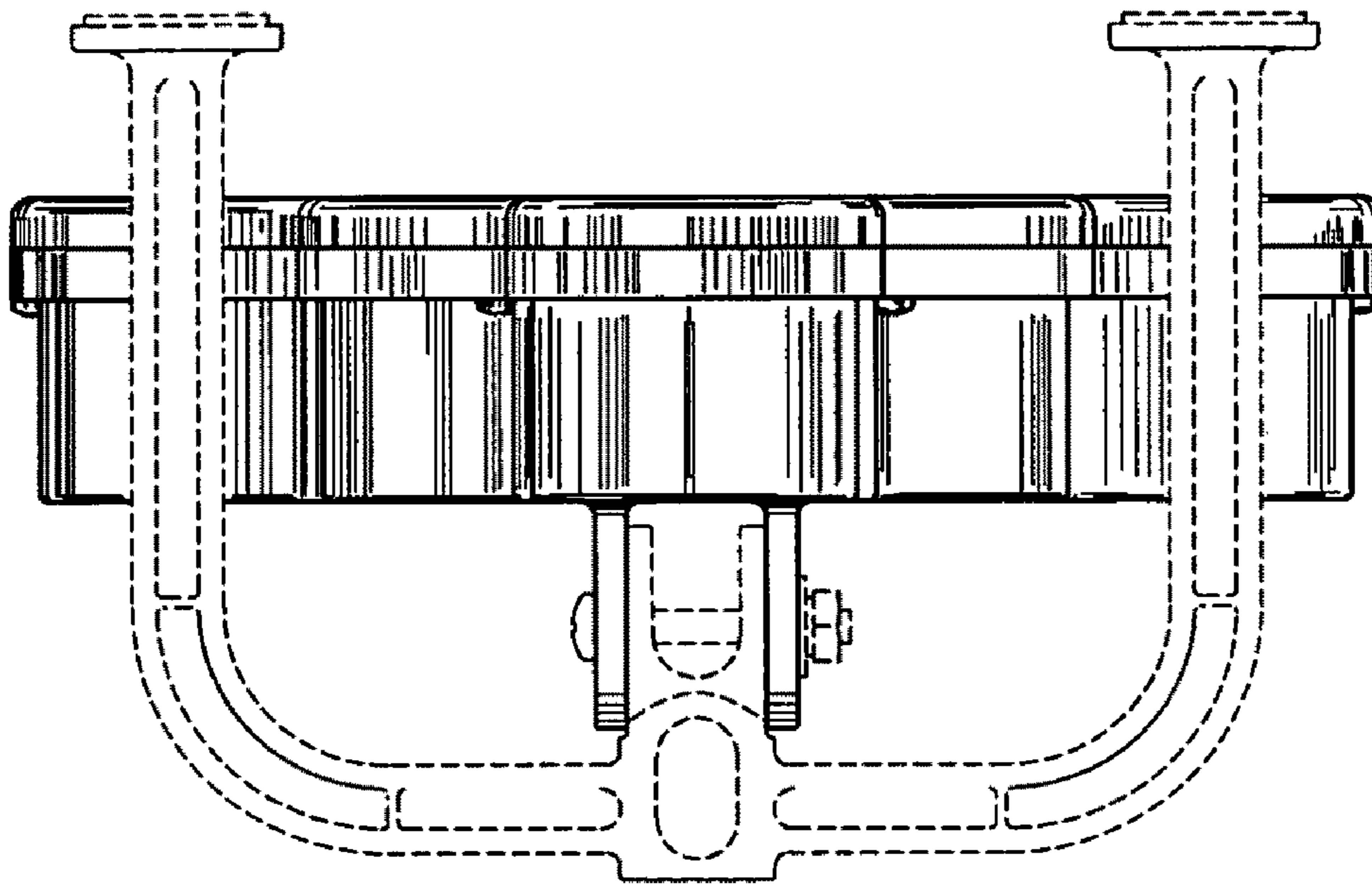


FIG. 7

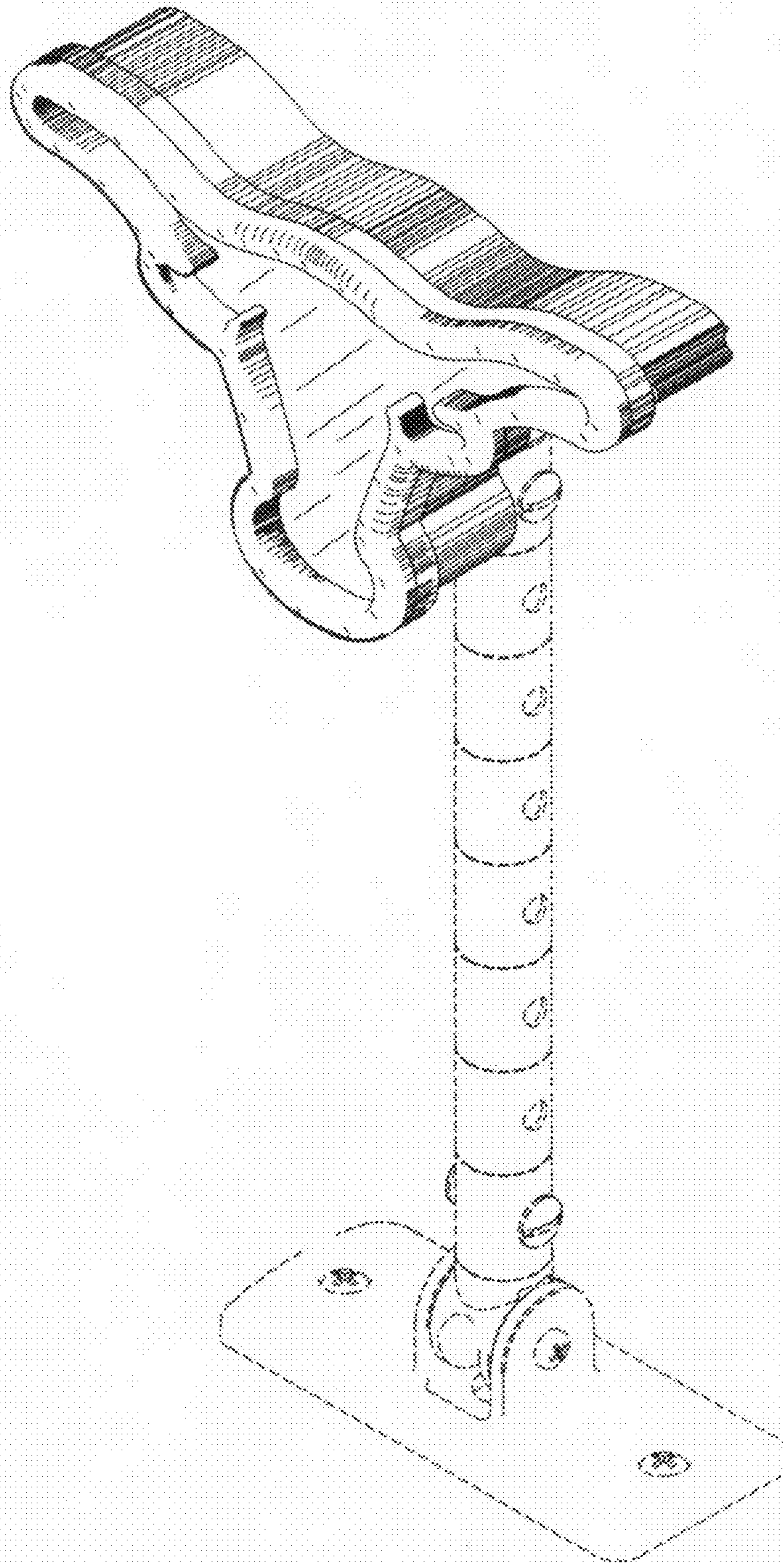


FIG. 8

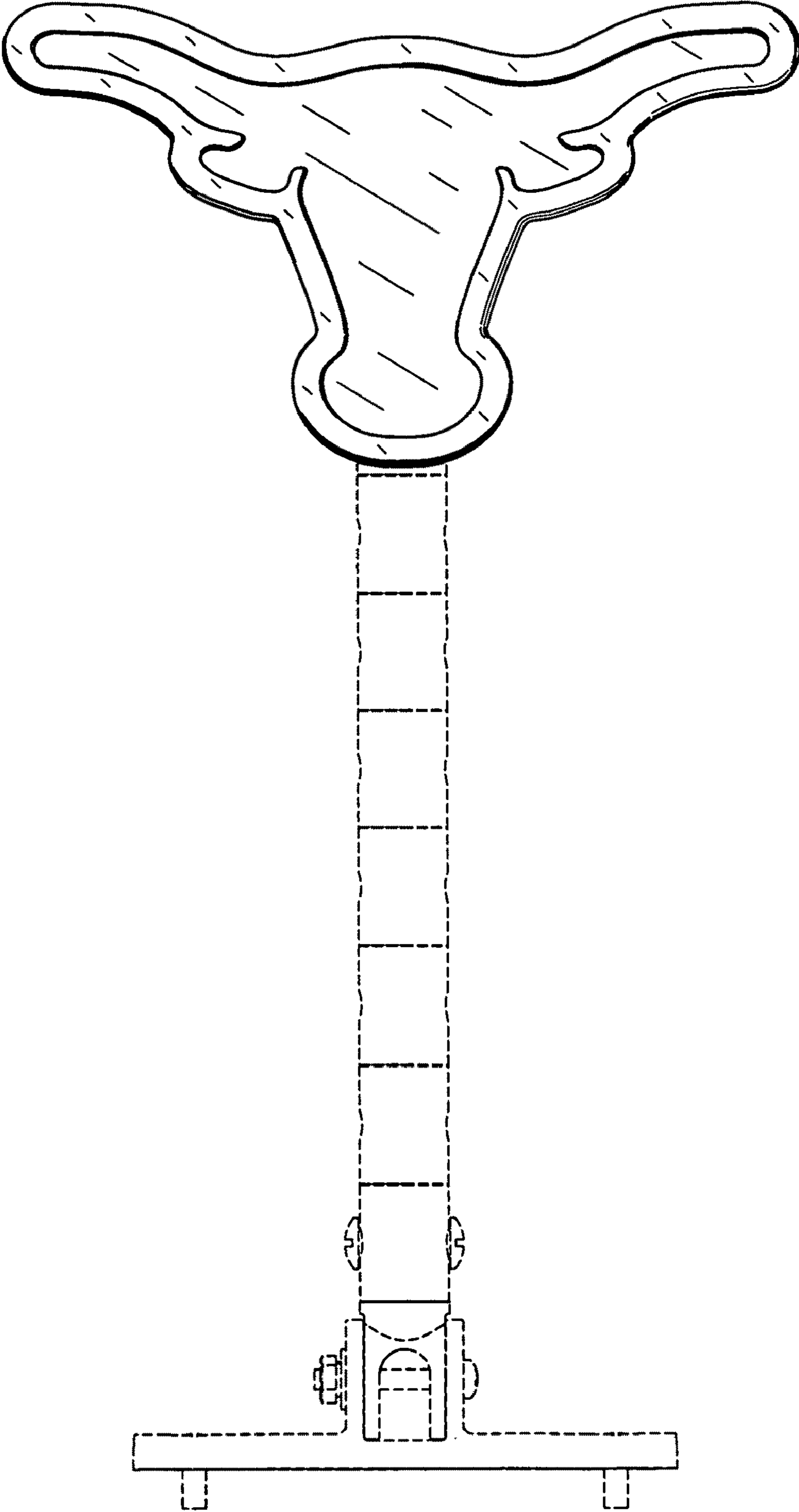


FIG. 9

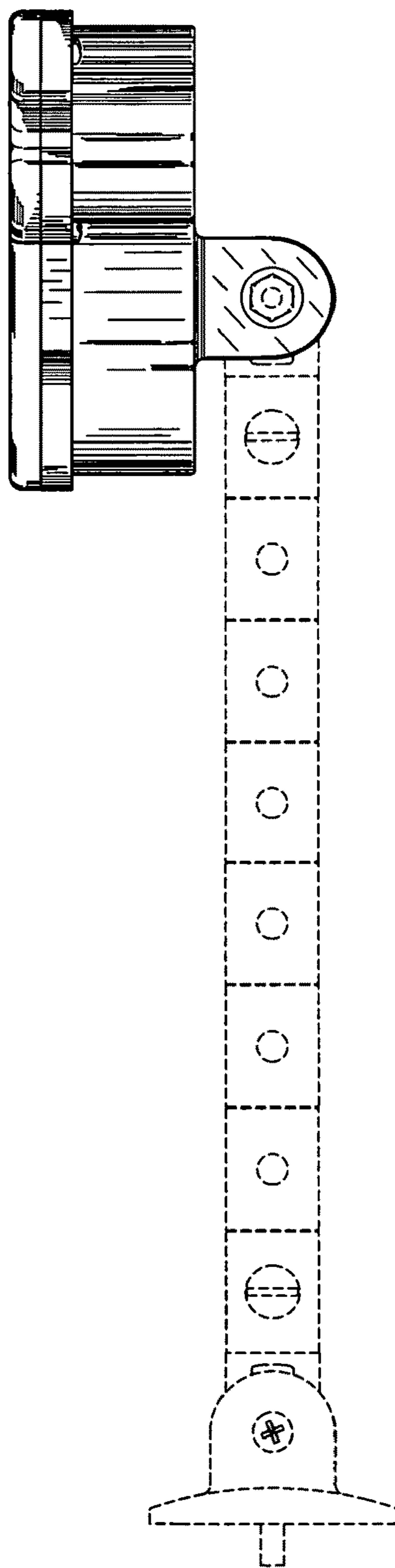


FIG. 10

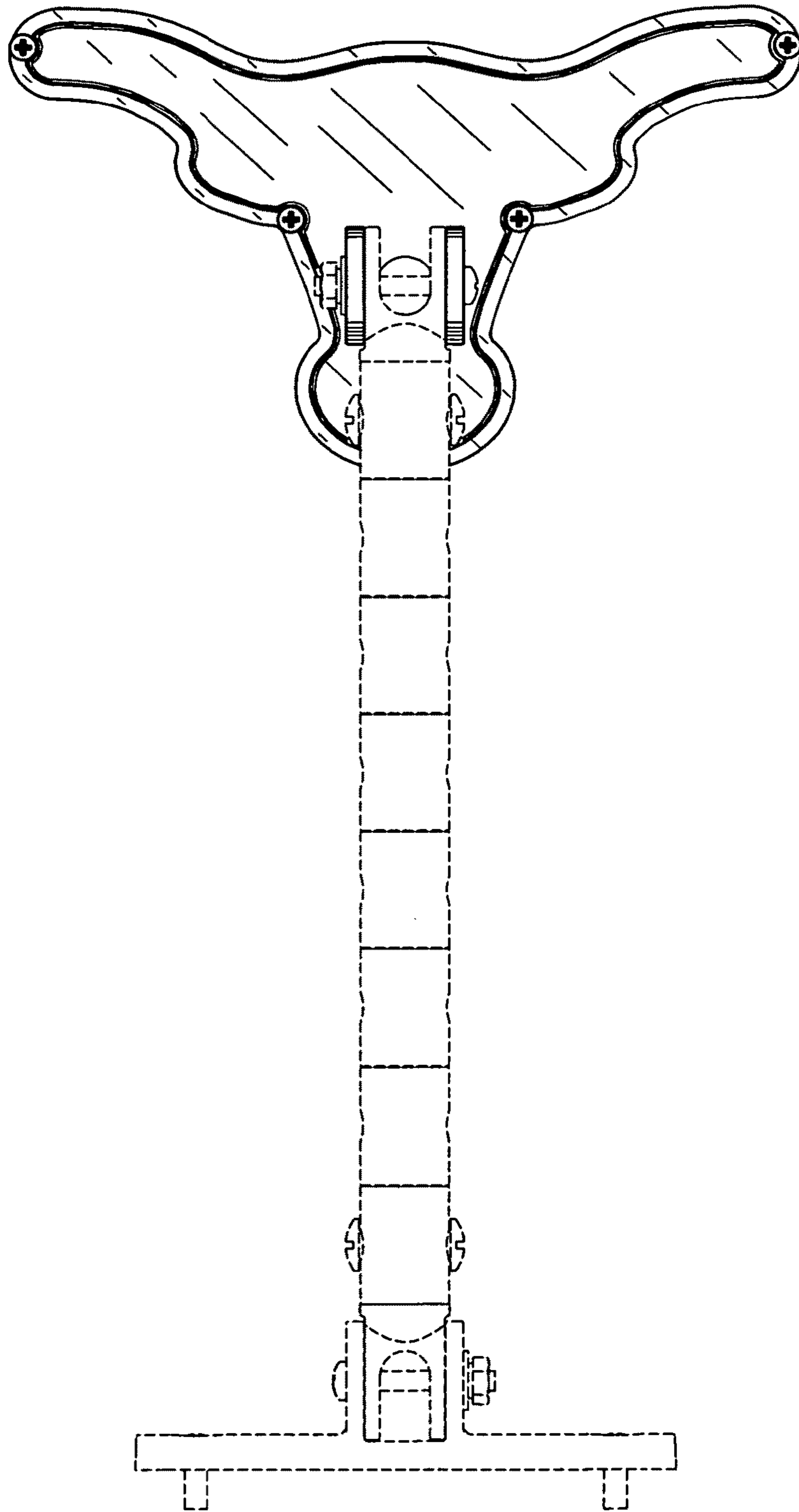


FIG. 11

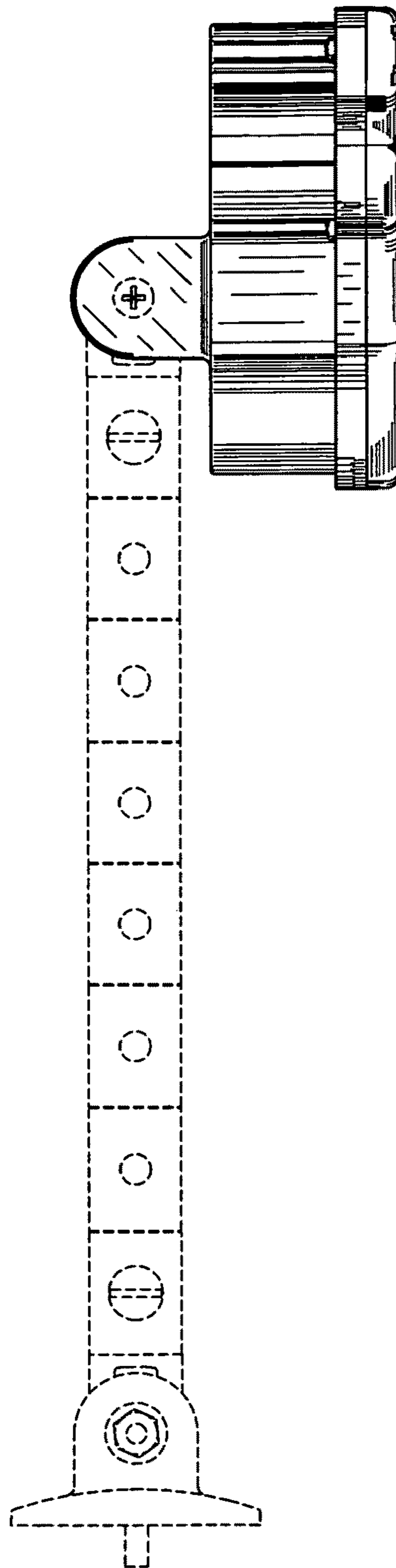


FIG. 12

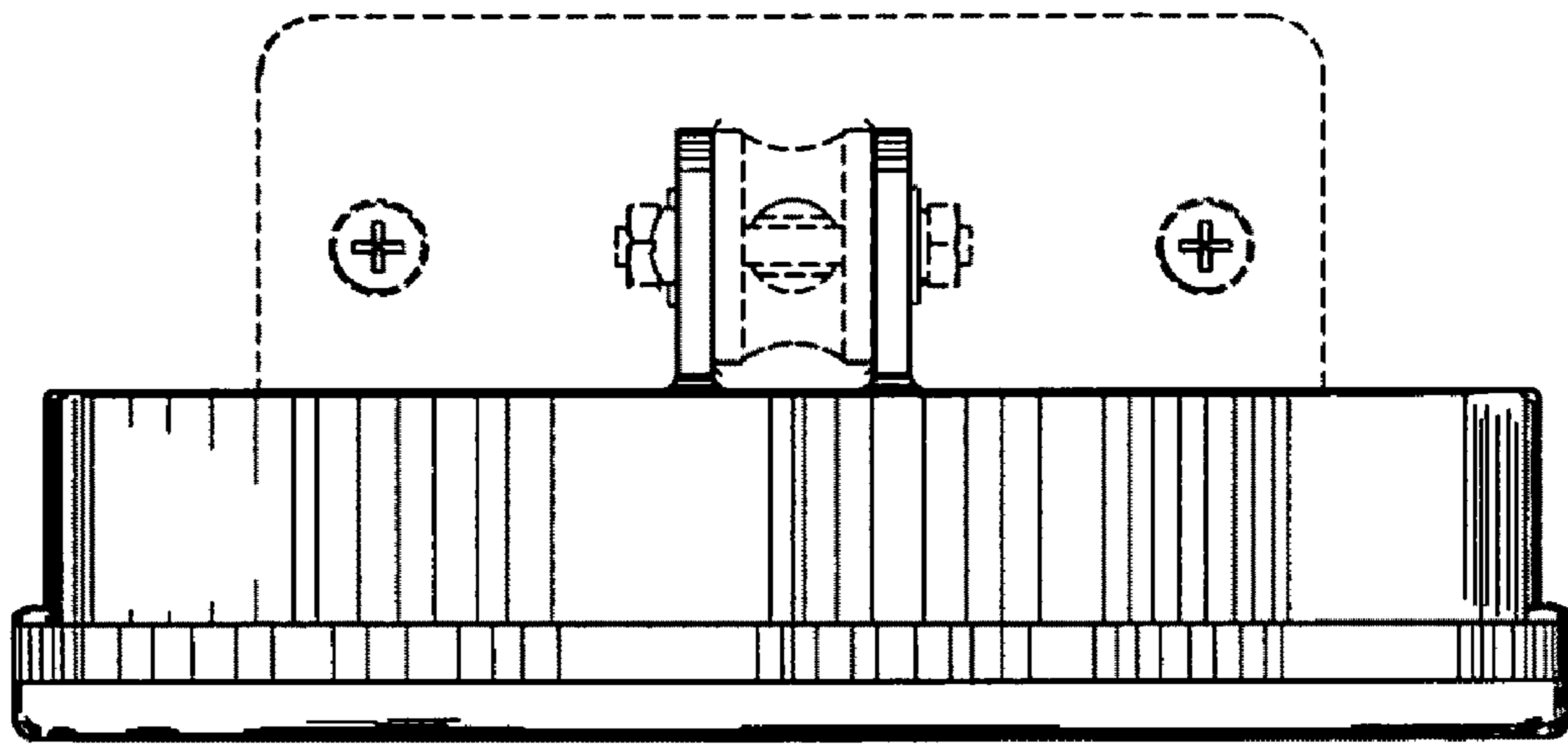


FIG. 13

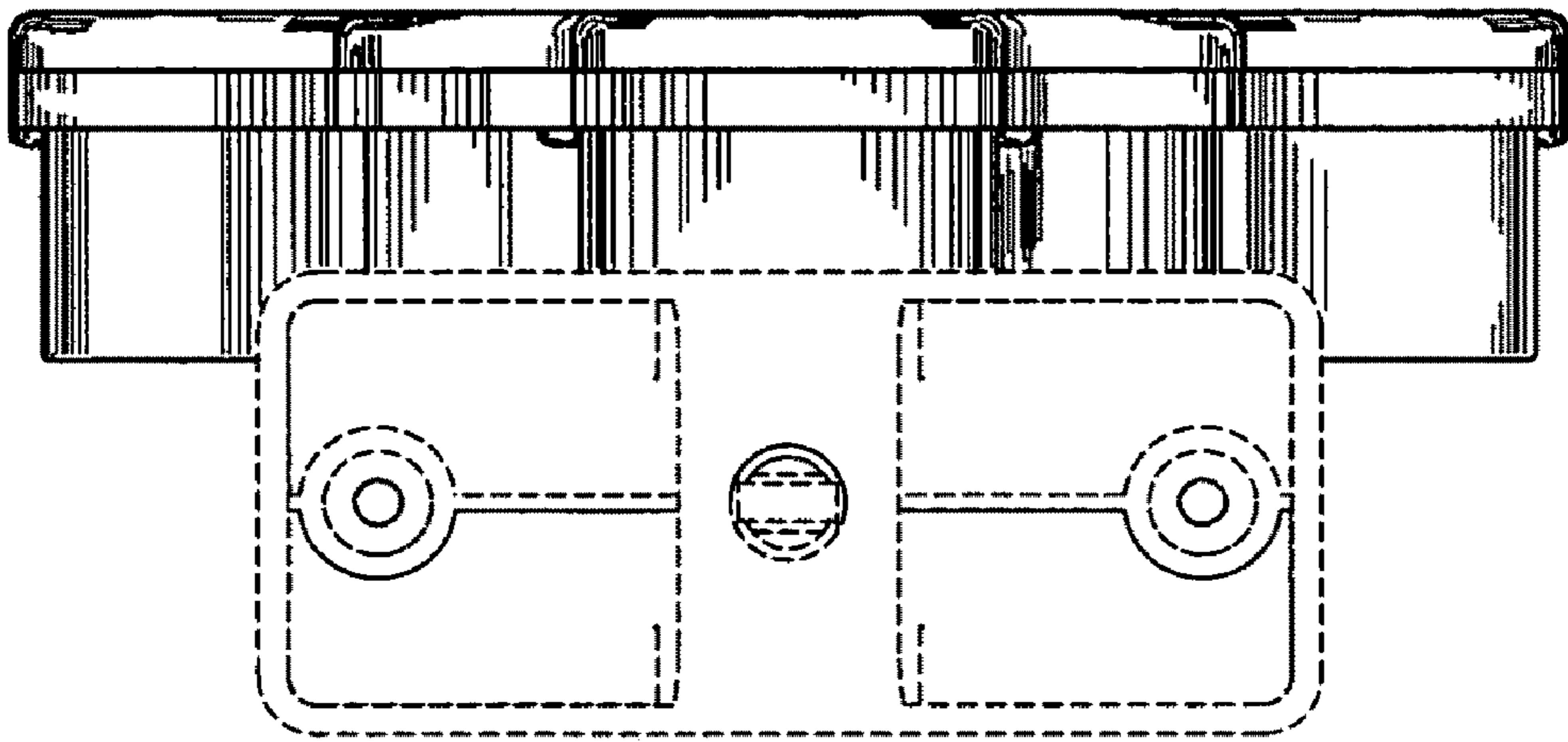


FIG. 14