

US00D634457S

(12) **United States Design Patent**  
**Yang**

(10) **Patent No.:** **US D634,457 B**

(45) **Date of Patent:** **\*\* \*Mar. 15, 2011**

(54) **AUTOMOTIVE LAMP**

(76) **Inventor:** **Hsiu Pen Yang, Taipei (TW)**

(\*) **Notice:** This patent is subject to a terminal disclaimer.

(\*\*) **Term:** **14 Years**

(21) **Appl. No.:** **29/269,795**

(22) **Filed:** **Dec. 8, 2006**

(51) **LOC (9) Cl.** ..... **26-06**

(52) **U.S. Cl.** ..... **D26/28**

(58) **Field of Classification Search** ..... D26/28-36;  
362/459-468, 475-478, 485-487

See application file for complete search history.

(56) **References Cited**

U.S. PATENT DOCUMENTS

D485,921	S *	1/2004	Liao	.....	D26/28
D490,916	S *	6/2004	Pien	.....	D26/28
D504,965	S *	5/2005	Lin	.....	D26/28

\* cited by examiner

*Primary Examiner* — Marcus A. Jackson

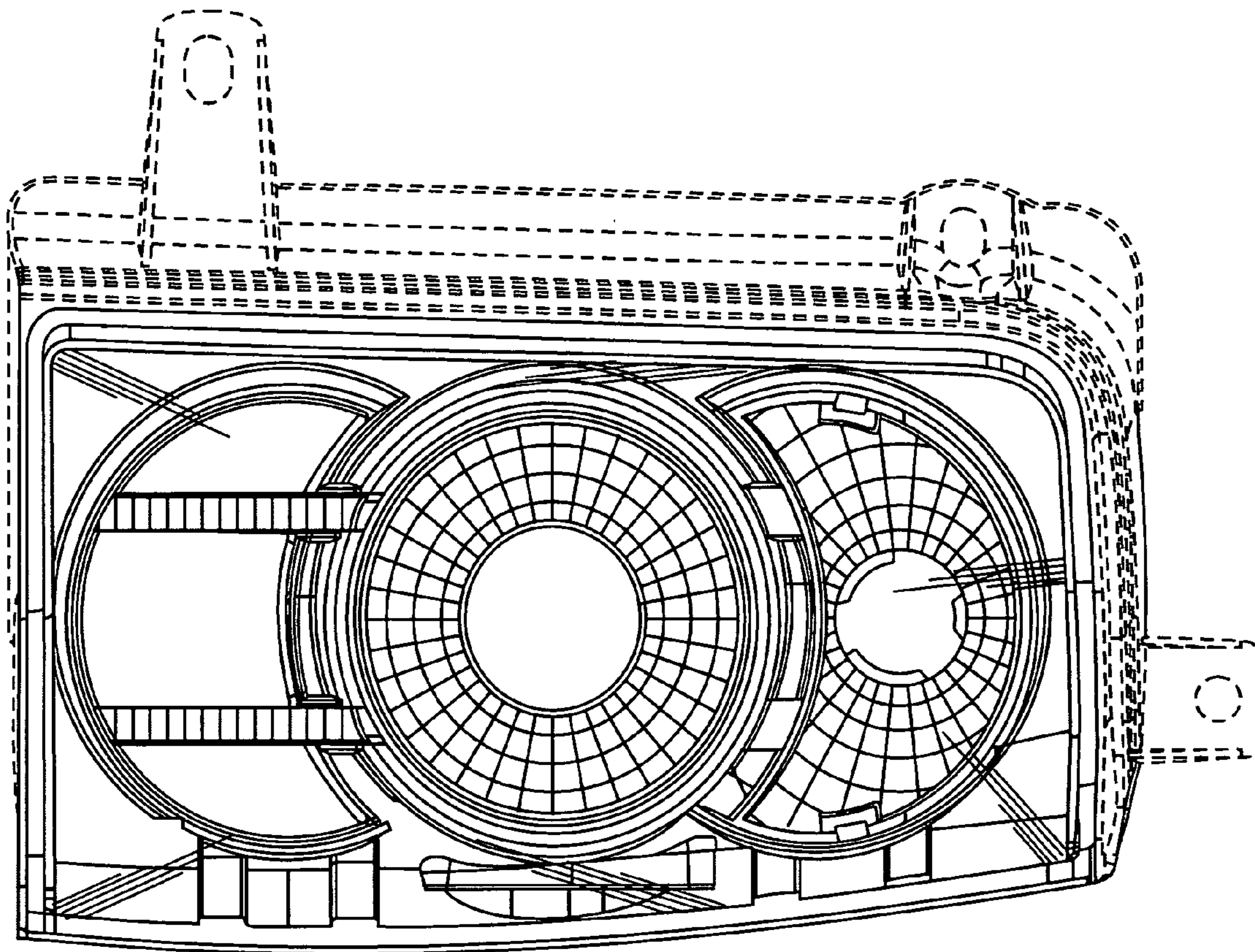
(57) **CLAIM**

I claim the ornamental design for the automotive lamp, as shown and described.

**DESCRIPTION**

FIG. 1 is a front elevational view thereof;  
FIG. 2 is a top plan view thereof;  
FIG. 3 is a bottom plan view thereof;  
FIG. 4 is a left side elevational view thereof; and,  
FIG. 5 is a right side elevational view.  
The portion of the invention not shown in the drawings forms no part of the claimed design.

**1 Claim, 4 Drawing Sheets**



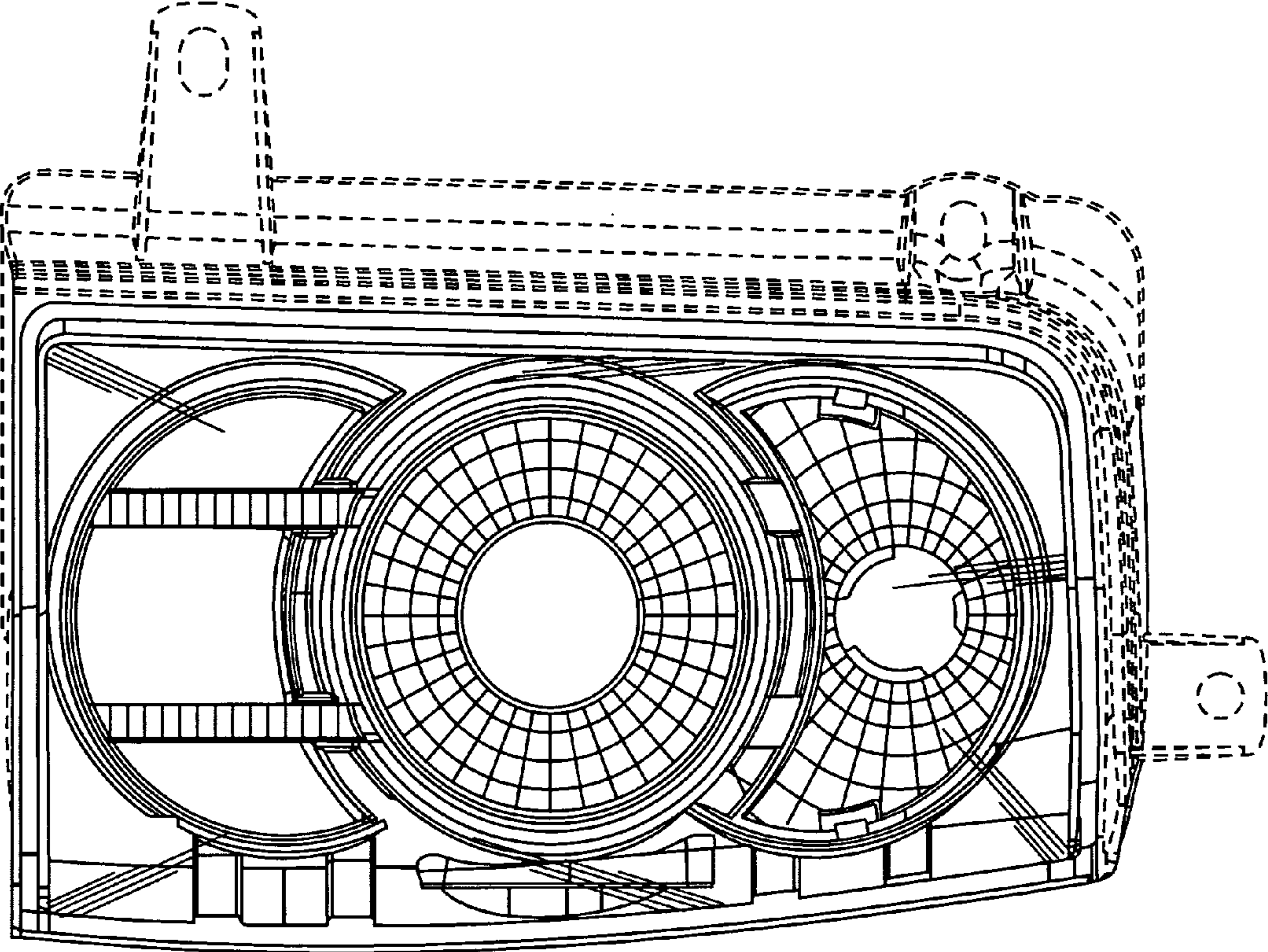


FIG. 1

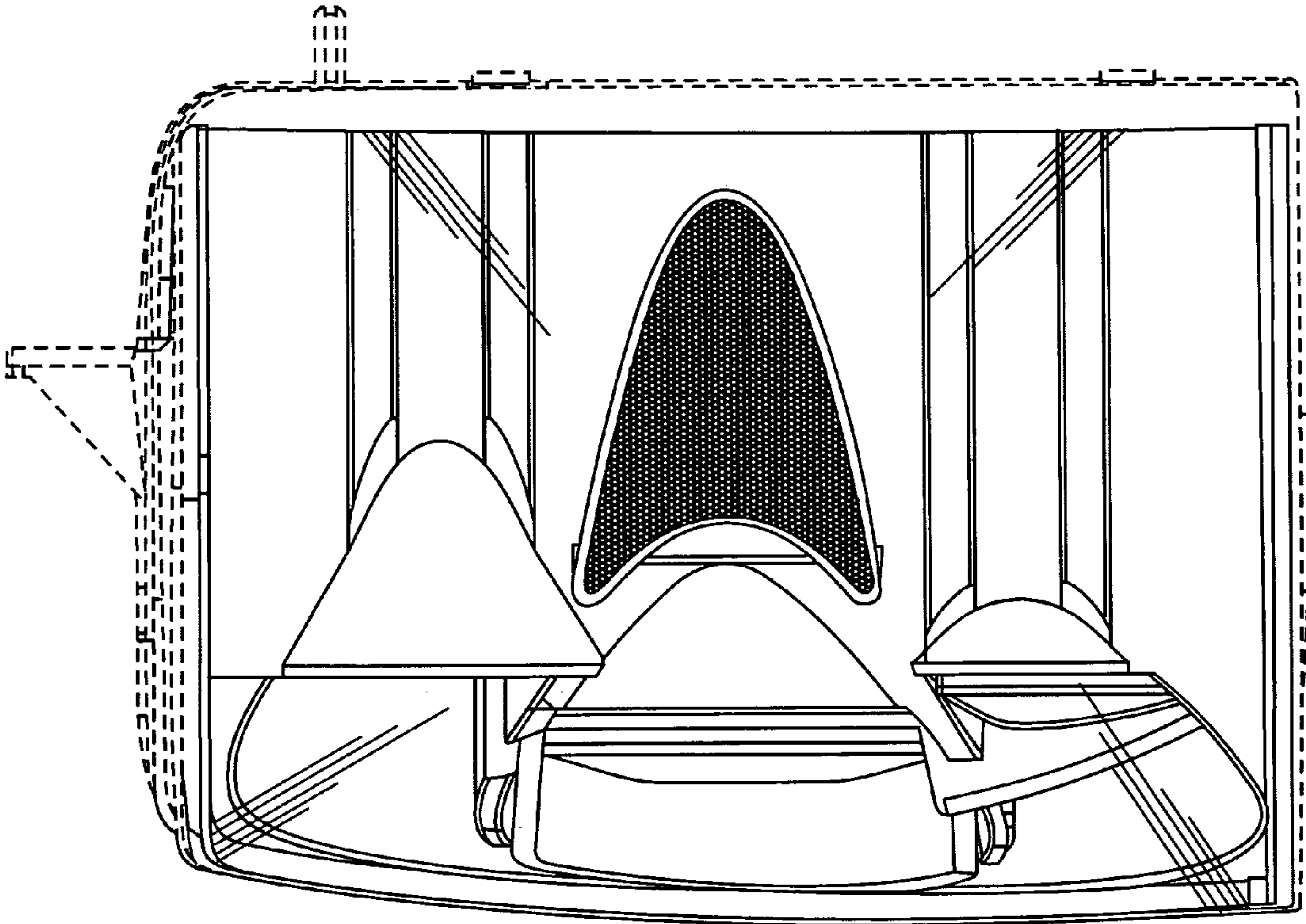


FIG. 2

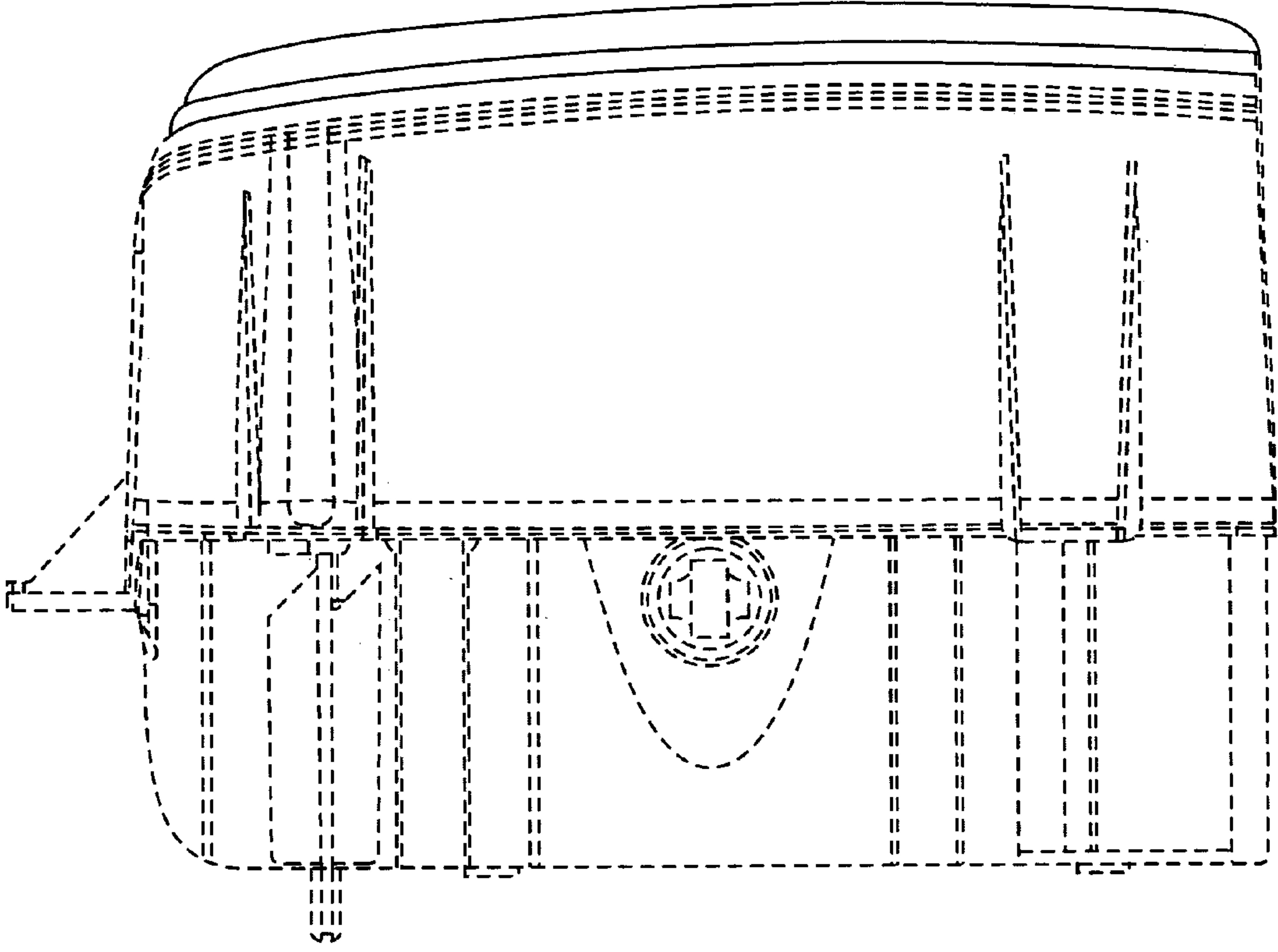


FIG. 3



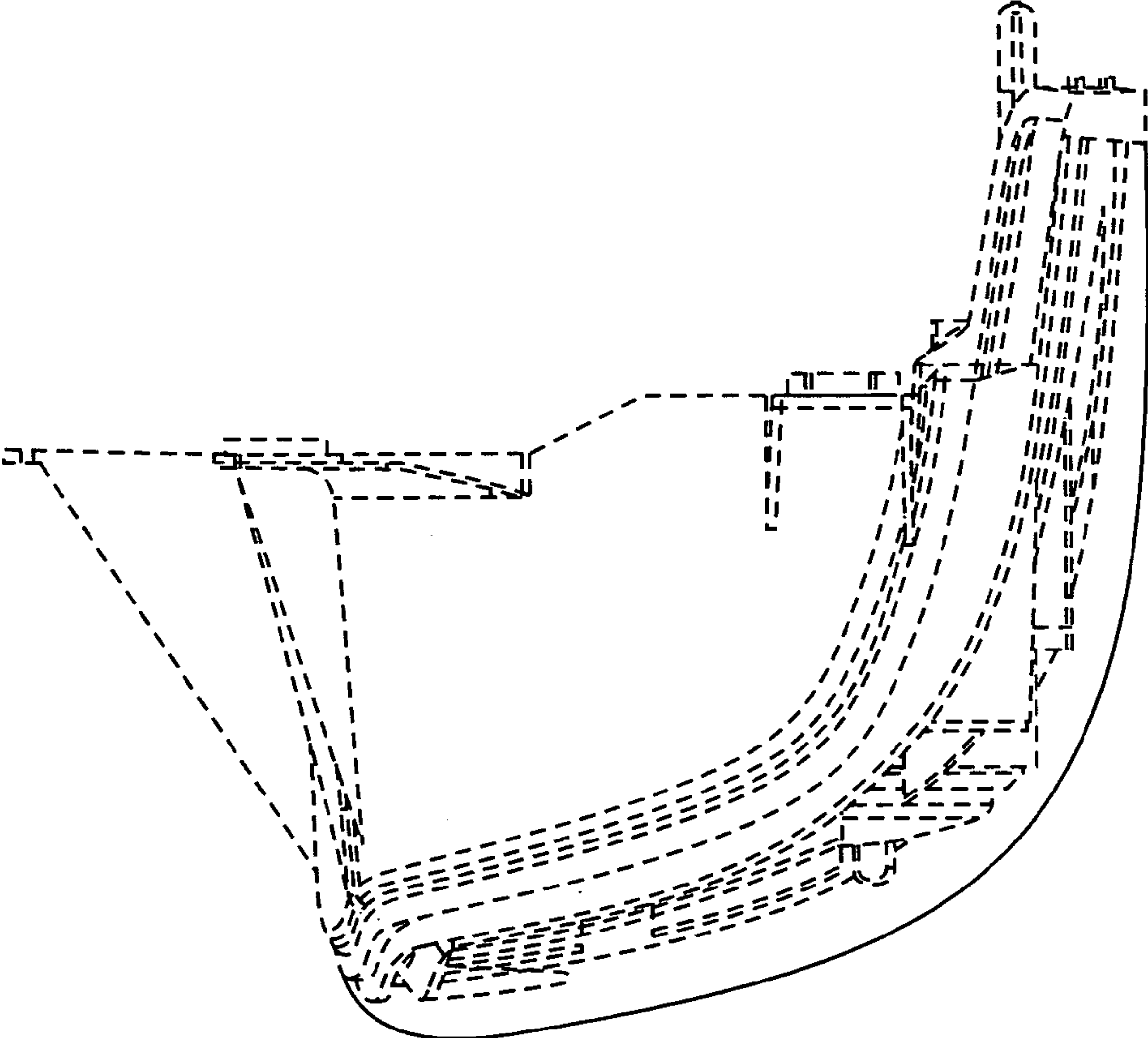


FIG. 4

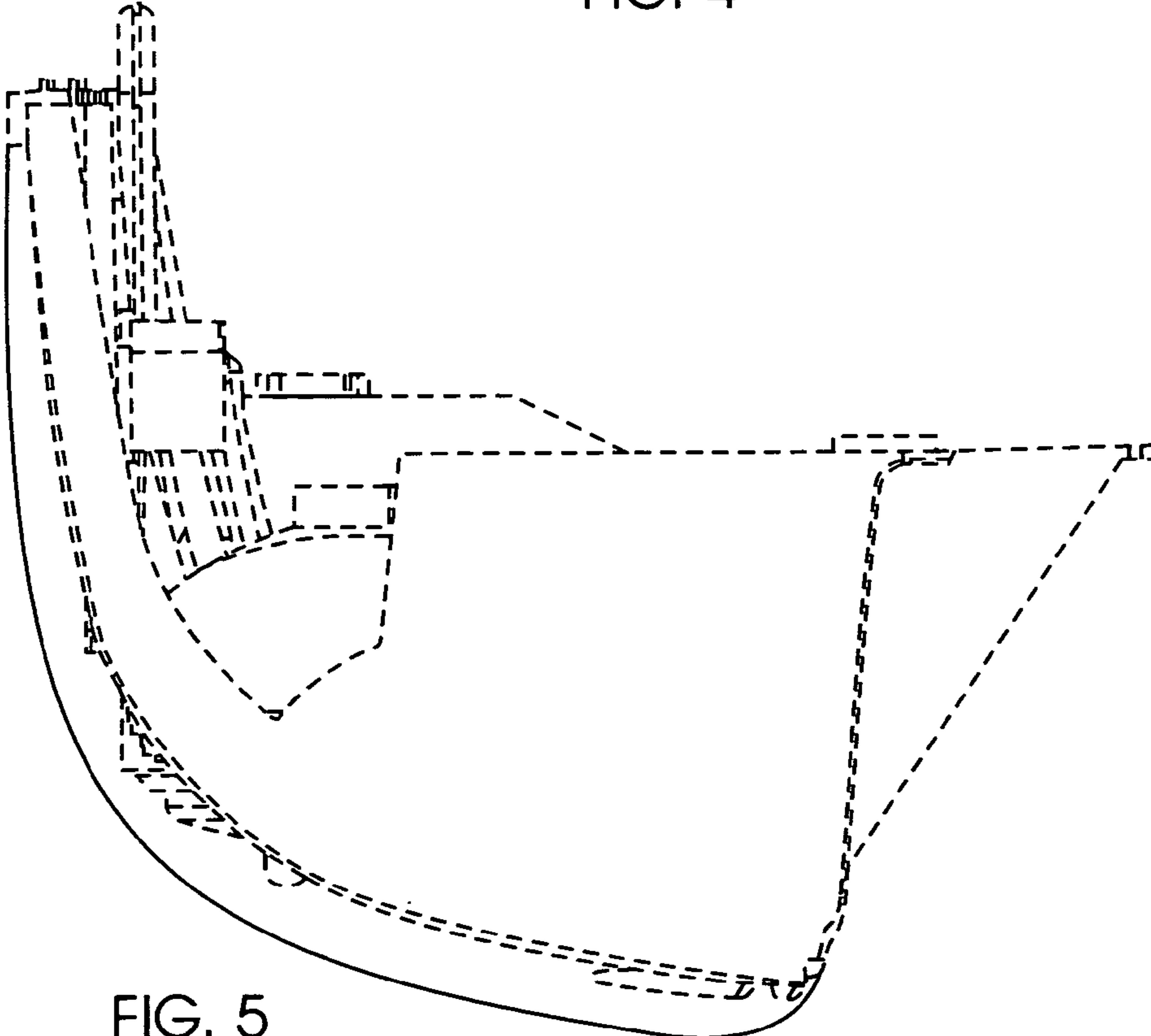


FIG. 5