



US00D634456S

(12) **United States Design Patent**
Jones

(10) **Patent No.:** **US D634,456 S**

(45) **Date of Patent:** **** Mar. 15, 2011**

(54) **ACCENT LIGHT**

(76) Inventor: **Wayne H. Jones**, Rigby, ID (US)

(**) Term: **14 Years**

(21) Appl. No.: **29/352,868**

(22) Filed: **Dec. 29, 2009**

(51) **LOC (9) Cl.** **26-05**

(52) **U.S. Cl.** **D26/24; D26/74**

(58) **Field of Classification Search** D26/24,
D26/26, 37, 46, 72, 85, 87, 88, 89, 93, 104,
D26/113, 118, 1, 2, 3, 28, 38, 60, 74; D10/111,
D10/114; D23/366, 367, 368; D13/107,
D13/108, 180, 182; 362/640, 641, 642, 643,
362/644, 652, 653, 655, 657, 249.02, 311.02,
362/800, 806, 555, 567, 116, 122, 123, 145,
362/147, 157, 183, 194, 195, 200
See application file for complete search history.

(56) **References Cited**

U.S. PATENT DOCUMENTS

D326,337 S * 5/1992 Miyazaki et al. D26/104
D366,721 S * 1/1996 Borden D26/110
D384,181 S * 9/1997 Borden D26/110

D443,713 S * 6/2001 Benensohn D26/72
D446,321 S * 8/2001 Lin D26/24
D465,299 S * 11/2002 Hsu D26/104
D510,149 S * 9/2005 Huang D26/28
D558,376 S * 12/2007 Posey et al. D26/72
D593,224 S * 5/2009 Hanley D26/2
D594,996 S * 6/2009 Yoon D26/2
D597,503 S * 8/2009 Maglica D13/182
D623,338 S * 9/2010 Mo D26/72
2010/0271823 A1 * 10/2010 Huang et al. 362/249.02

* cited by examiner

Primary Examiner — Angela J Lee

(74) *Attorney, Agent, or Firm* — W. Scott Carson

(57) **CLAIM**

The ornamental design for an accent light, as shown.

DESCRIPTION

FIG. 1 is a top perspective view of an accent light showing my new design;

FIG. 2 is a bottom perspective view thereof;

FIG. 3 is a top plan view thereof;

FIG. 4 is a front elevational view thereof;

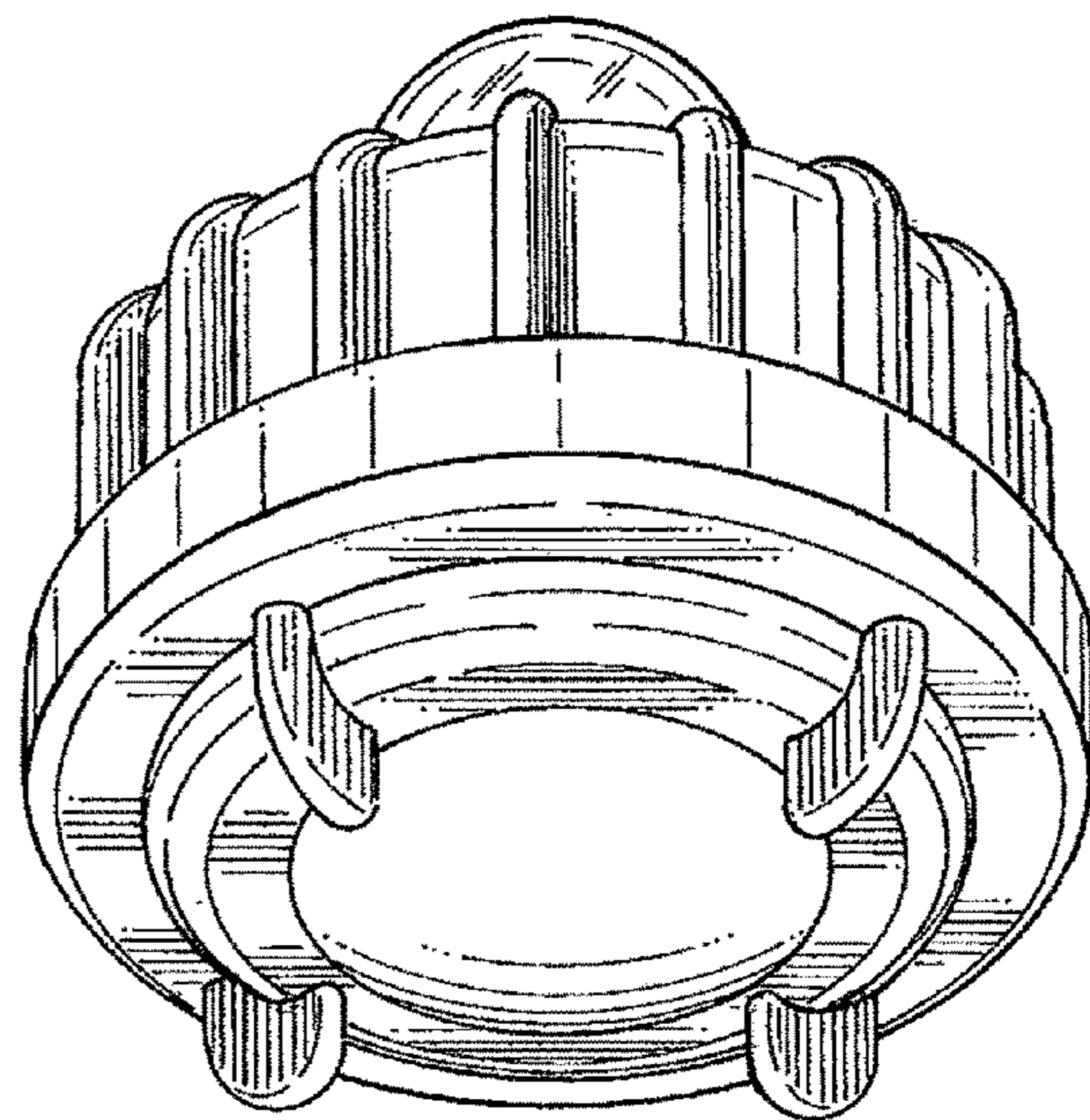
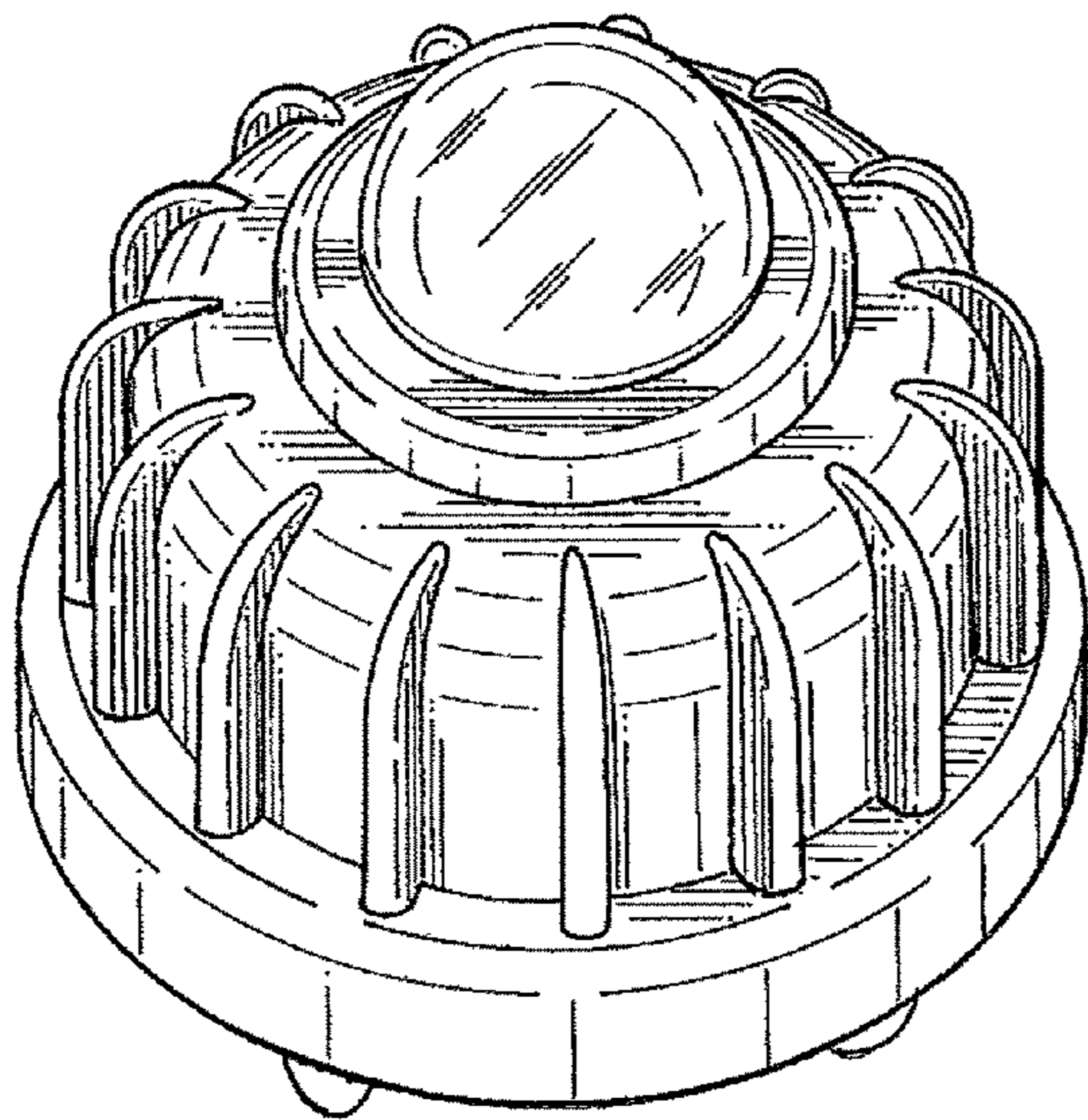
FIG. 5 is a rear elevational view thereof;

FIG. 6 is a bottom plan view thereof;

FIG. 7 is a left side elevational view thereof; and,

FIG. 8 is a right side elevational view thereof.

1 Claim, 4 Drawing Sheets



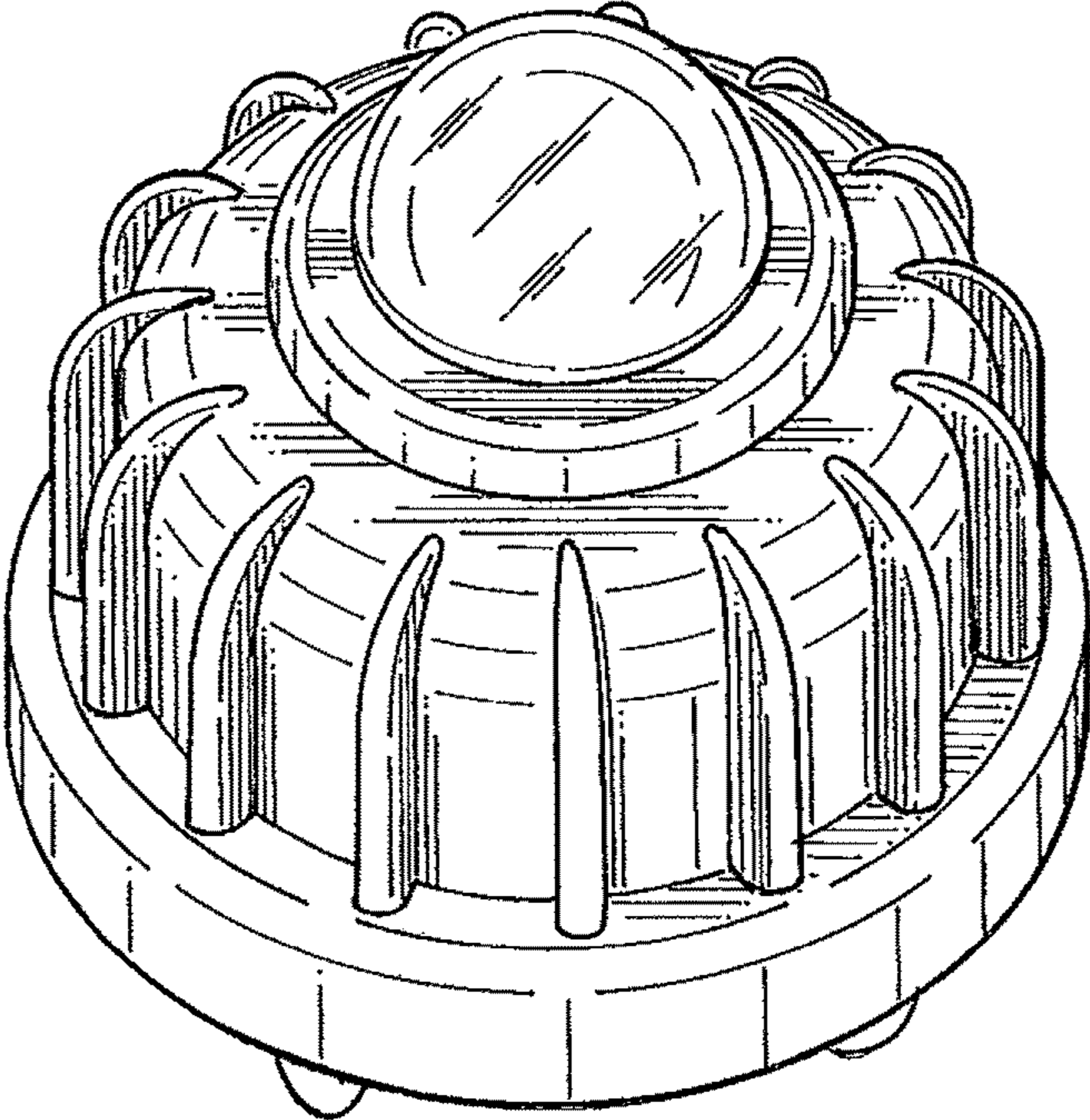


Fig. 1

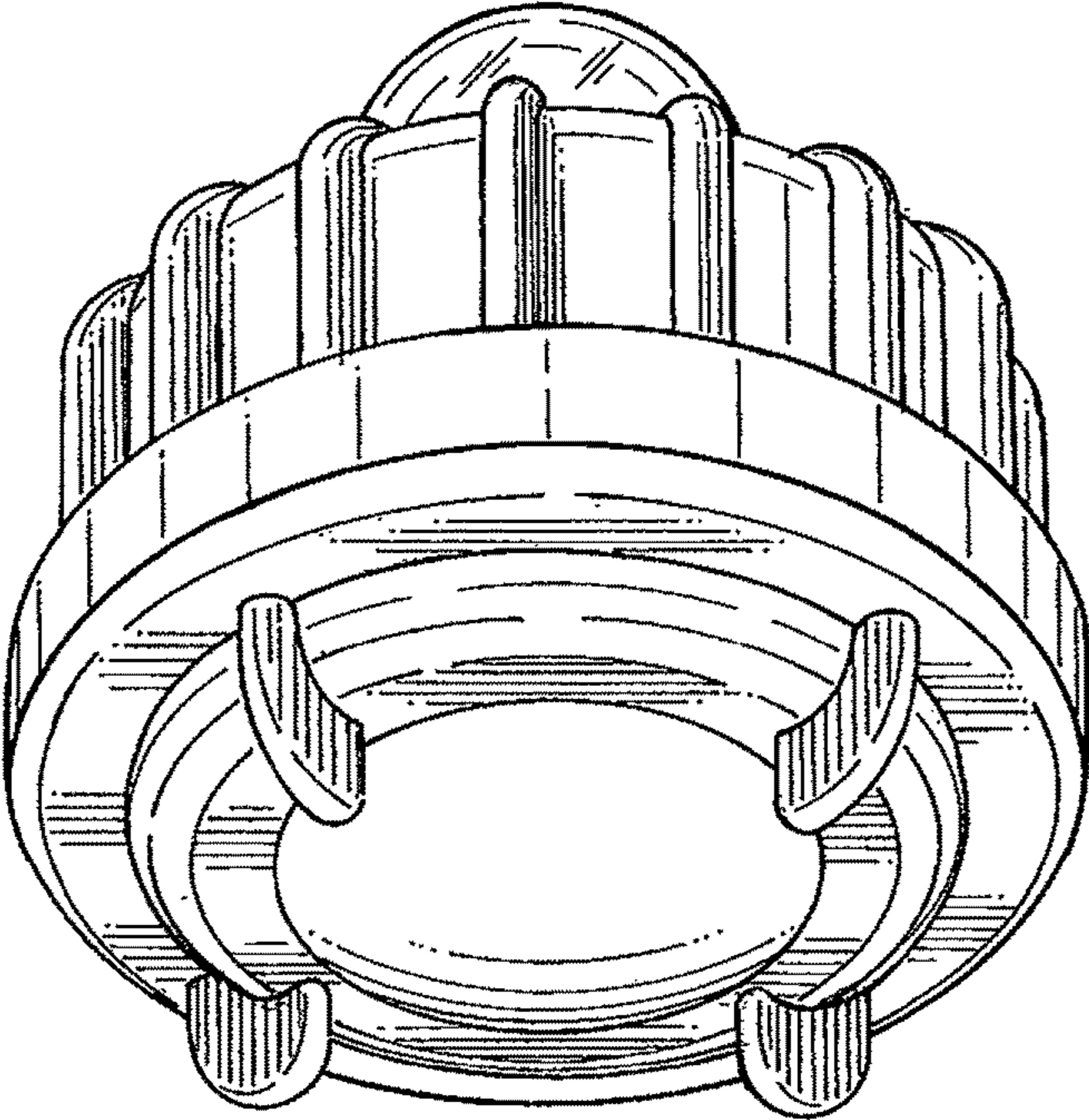


Fig. 2

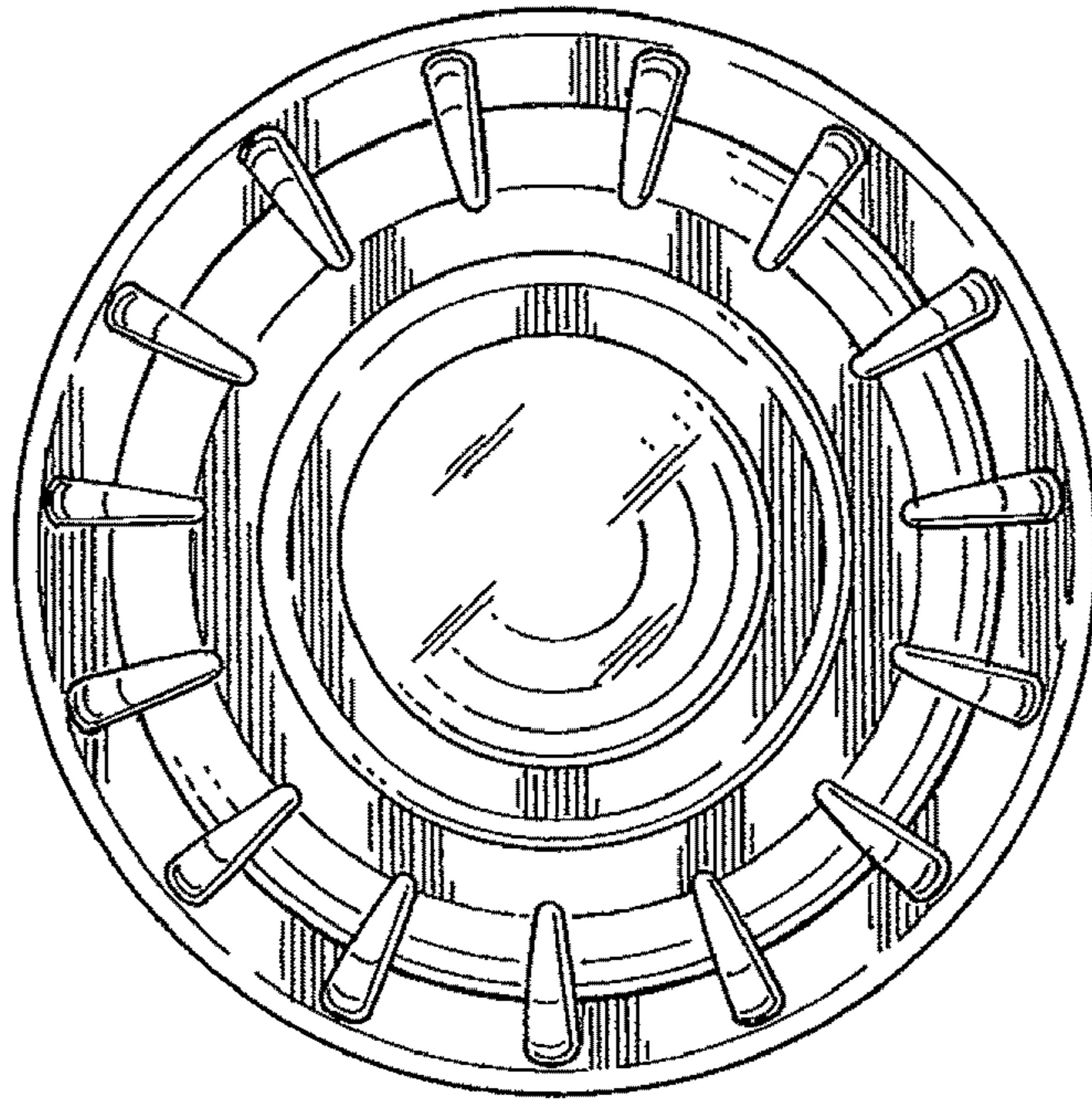


Fig. 3

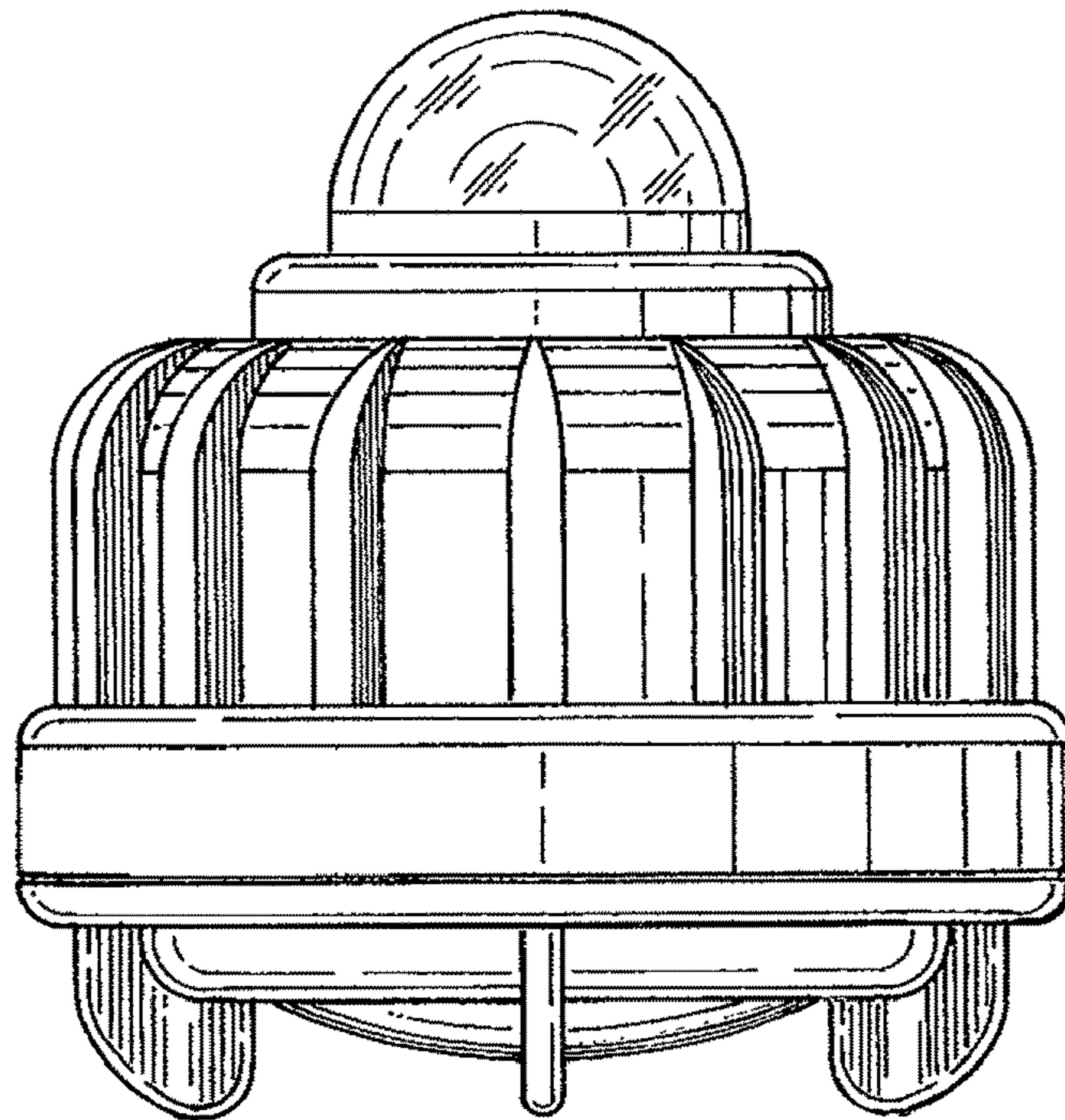


Fig. 4

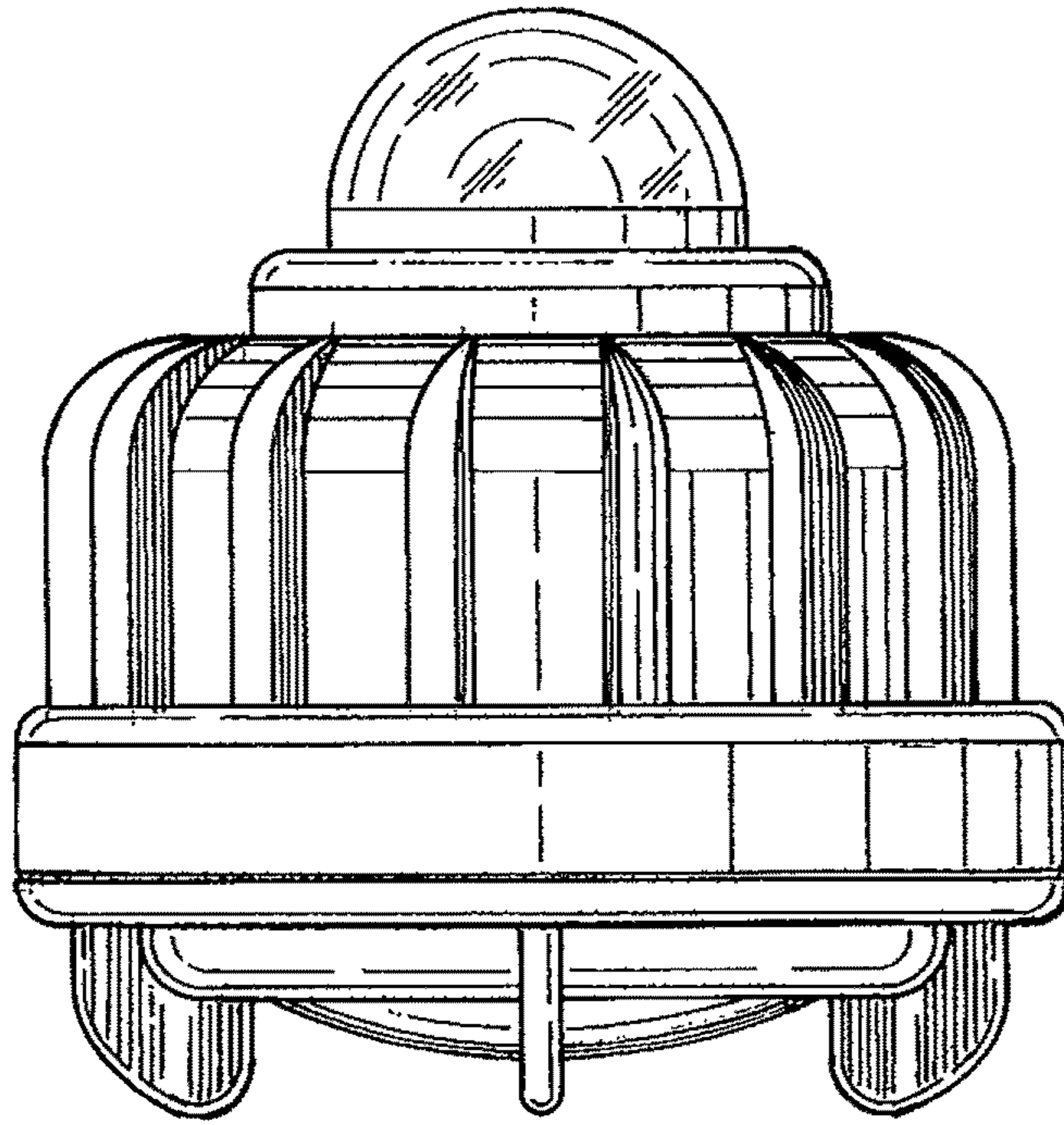


Fig. 5

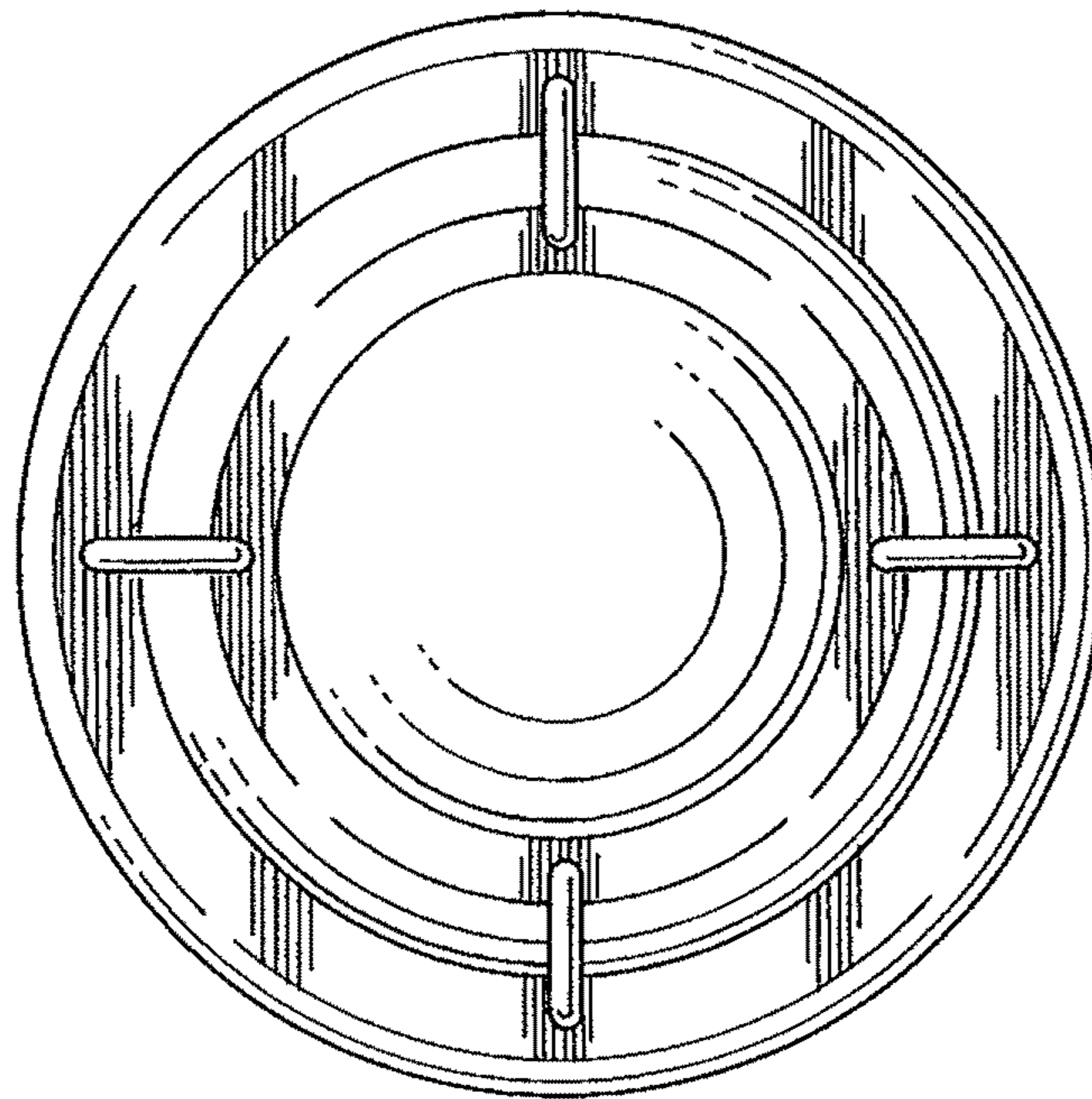


Fig. 6

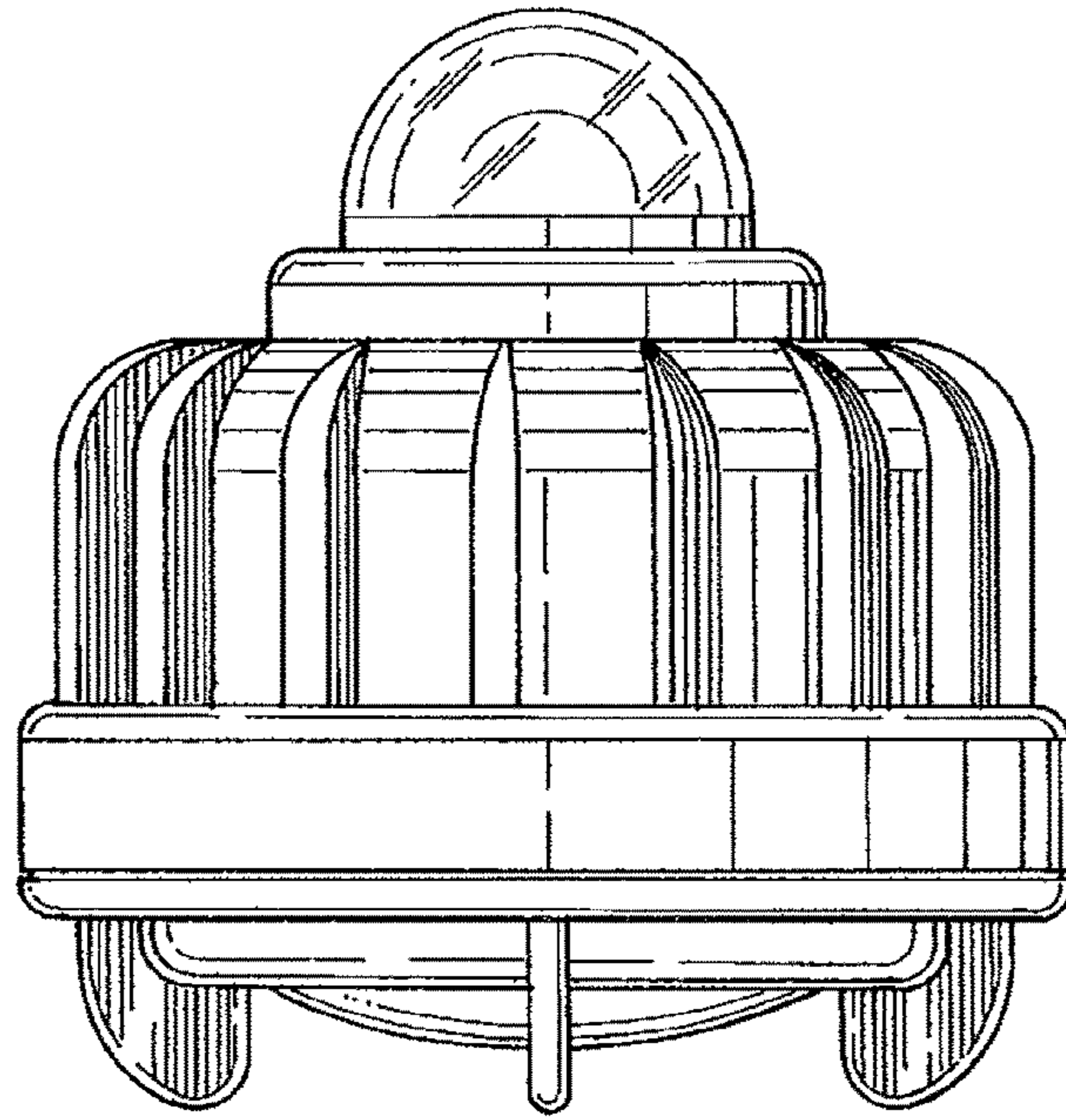


Fig. 7

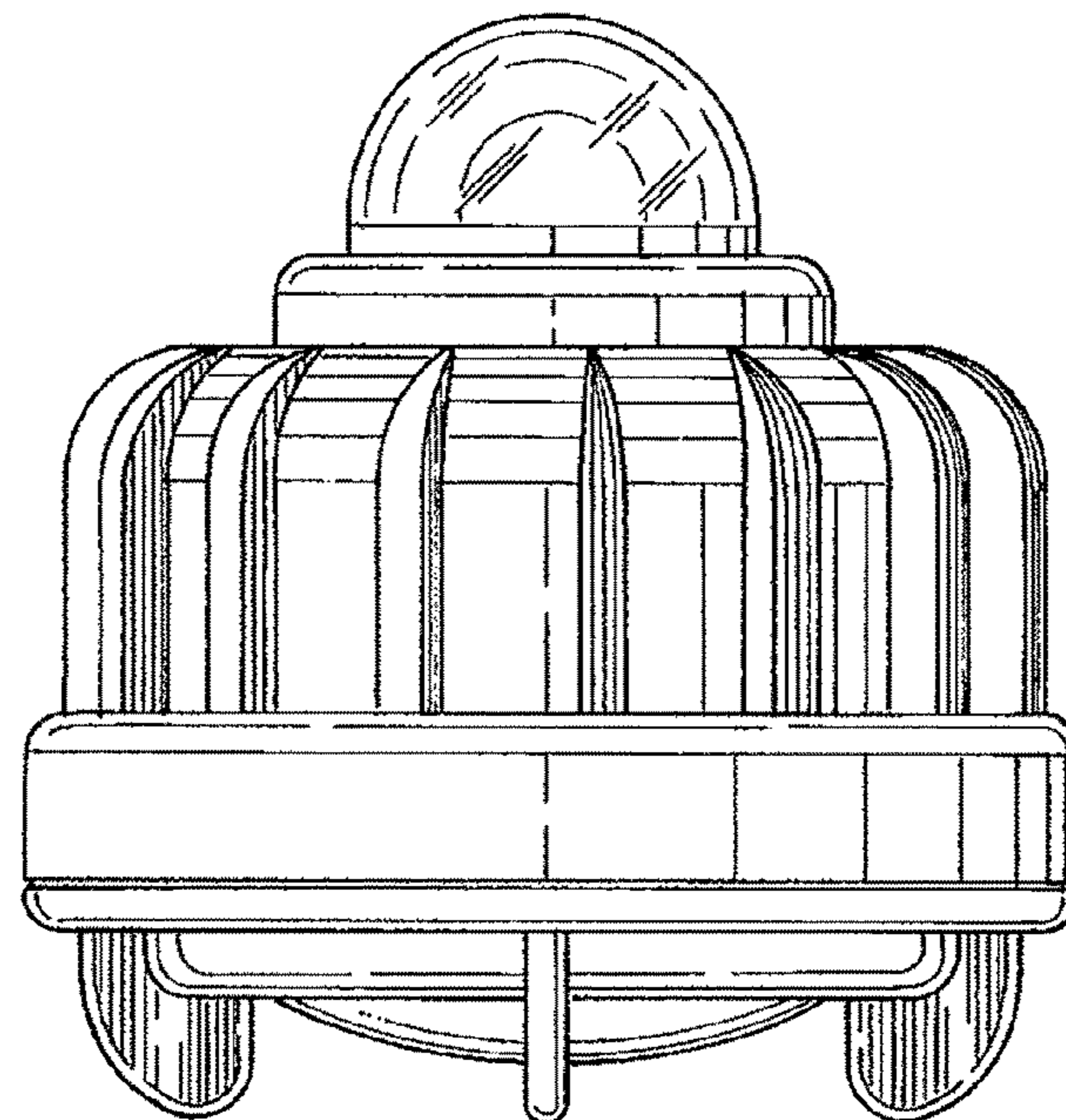


Fig. 8