



US00D634452S

(12) **United States Design Patent**
de Visser

(10) **Patent No.:** **US D634,452 S**

(45) **Date of Patent:** **** Mar. 15, 2011**

(54) **LED LIGHT**

D566,300 S * 4/2008 Lo D26/2
D570,504 S * 6/2008 Maxik et al. D26/2
D601,278 S * 9/2009 Takahashi D26/2

(76) Inventor: **Alexander Paul Johannus de Visser,**
Vierhouten (NL)

* cited by examiner

(**) Term: **14 Years**

Primary Examiner — Marcus A Jackson

(21) Appl. No.: **29/359,173**

(74) *Attorney, Agent, or Firm* — Porzio, Bromberg &
Newman, P.C.

(22) Filed: **Apr. 7, 2010**

(57) **CLAIM**

(51) **LOC (9) Cl.** **26-04**

I claim, the ornamental design for a LED light, as shown and
described.

(52) **U.S. Cl.** **D26/2**

(58) **Field of Classification Search** D26/1-4;
313/313, 315, 316, 317, 318, 493; 315/52,
315/53, 56, 57, 58

DESCRIPTION

See application file for complete search history.

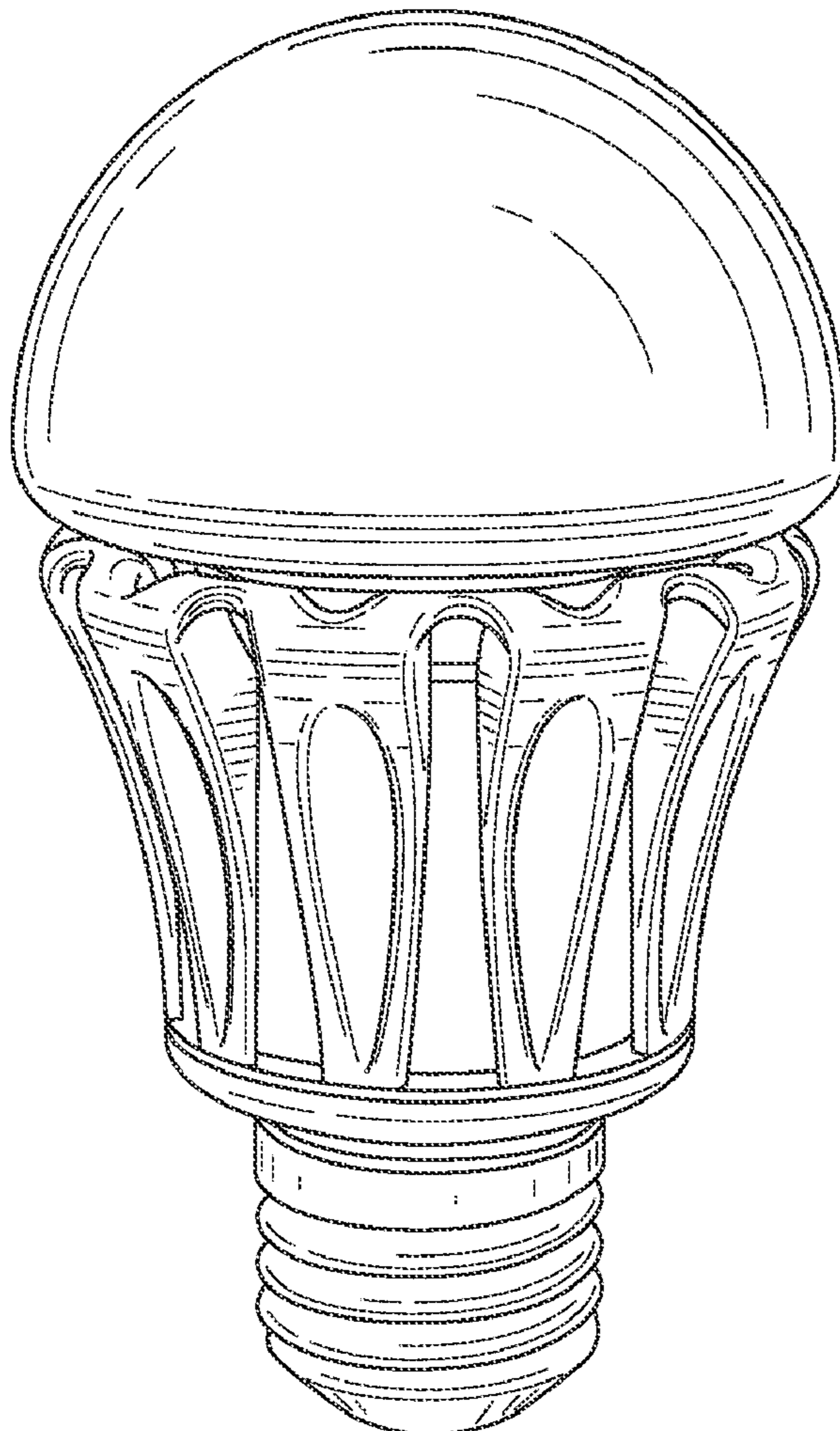
FIG. 1 is a perspective view, showing my new design;
FIG. 2 is a front view of FIG. 1;
FIG. 3 is back view of FIG. 1;
FIG. 4 is a side view taken from the right side of FIG. 1;
FIG. 5 is a side view taken from the left side of FIG. 1;
FIG. 6 is a top view of FIG. 1; and,
FIG. 7 is a bottom view of FIG. 1.

(56) **References Cited**

U.S. PATENT DOCUMENTS

D549,360 S * 8/2007 An D26/2
D553,267 S * 10/2007 Yuen D26/2
D560,286 S * 1/2008 Maxik et al. D26/2

1 Claim, 6 Drawing Sheets



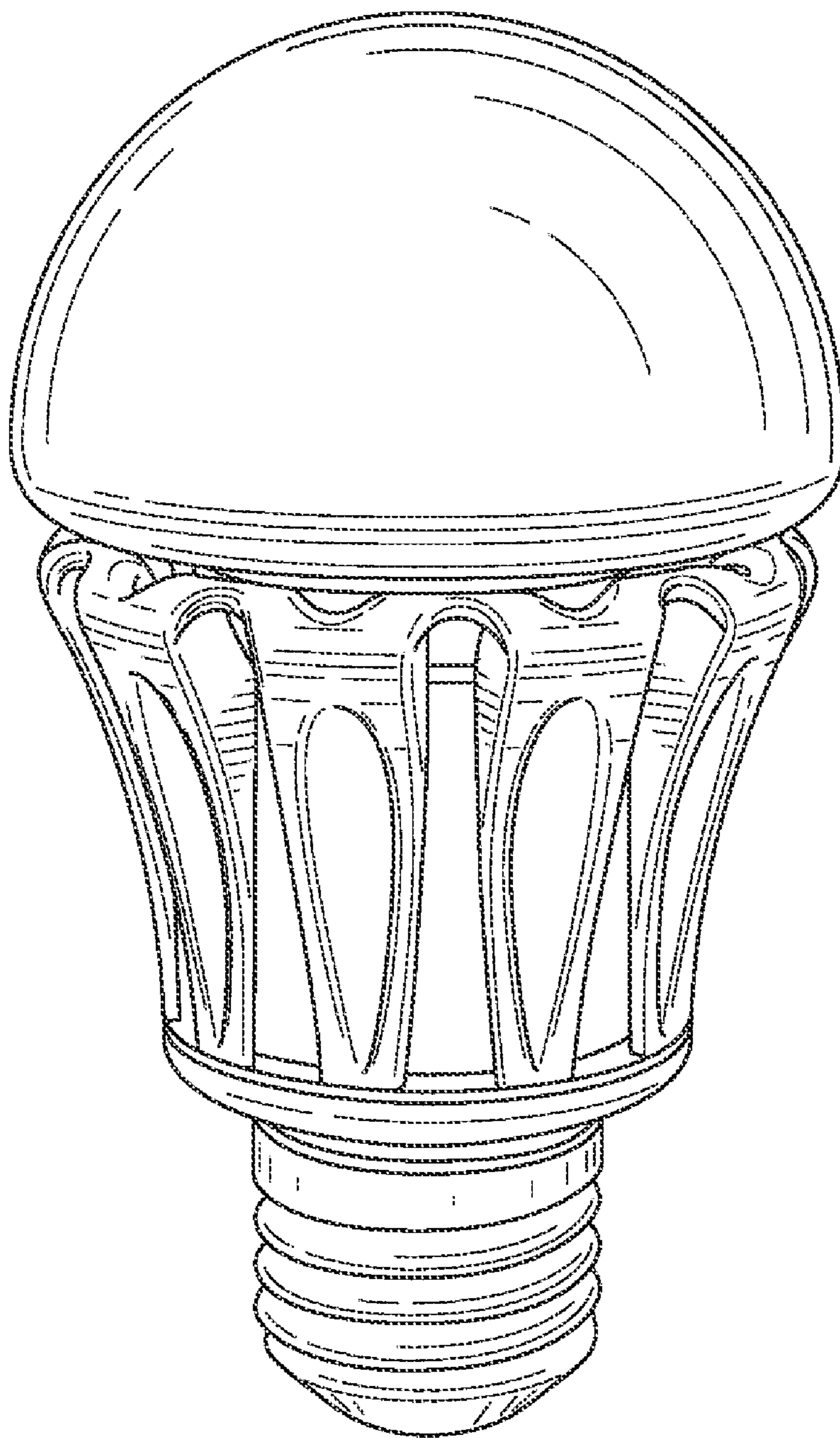


FIG. 1

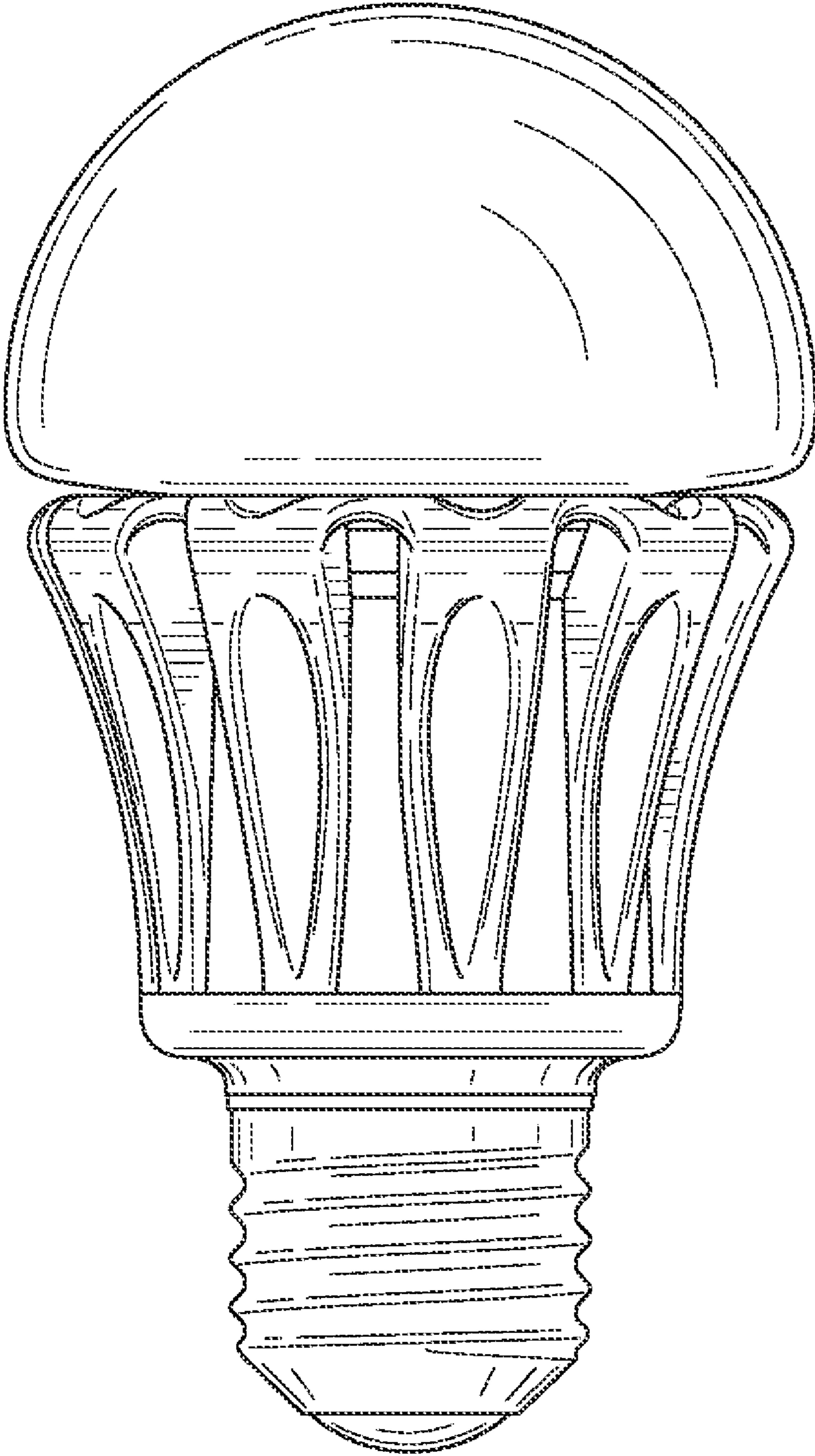


FIG. 2

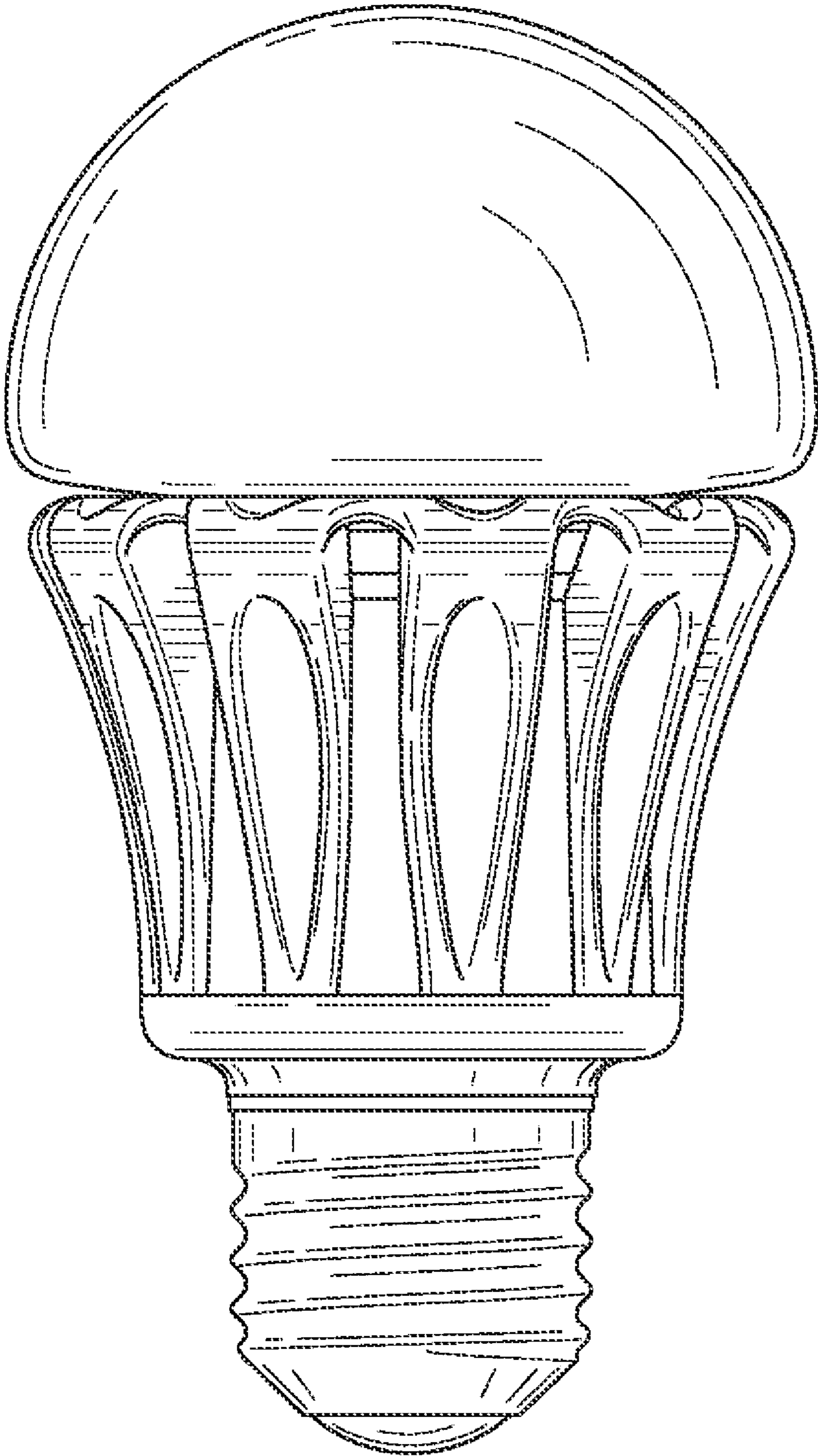


FIG. 3

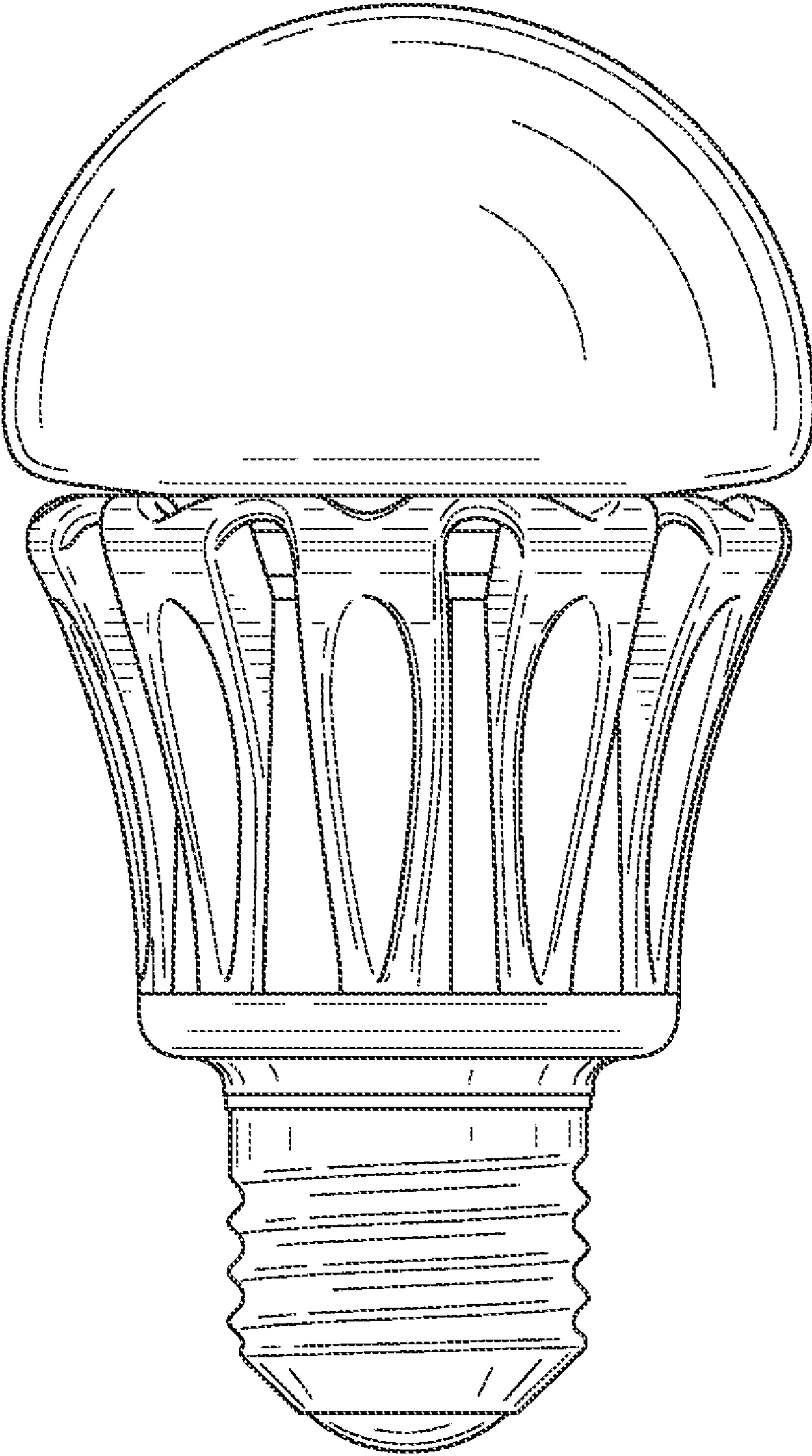


FIG. 4

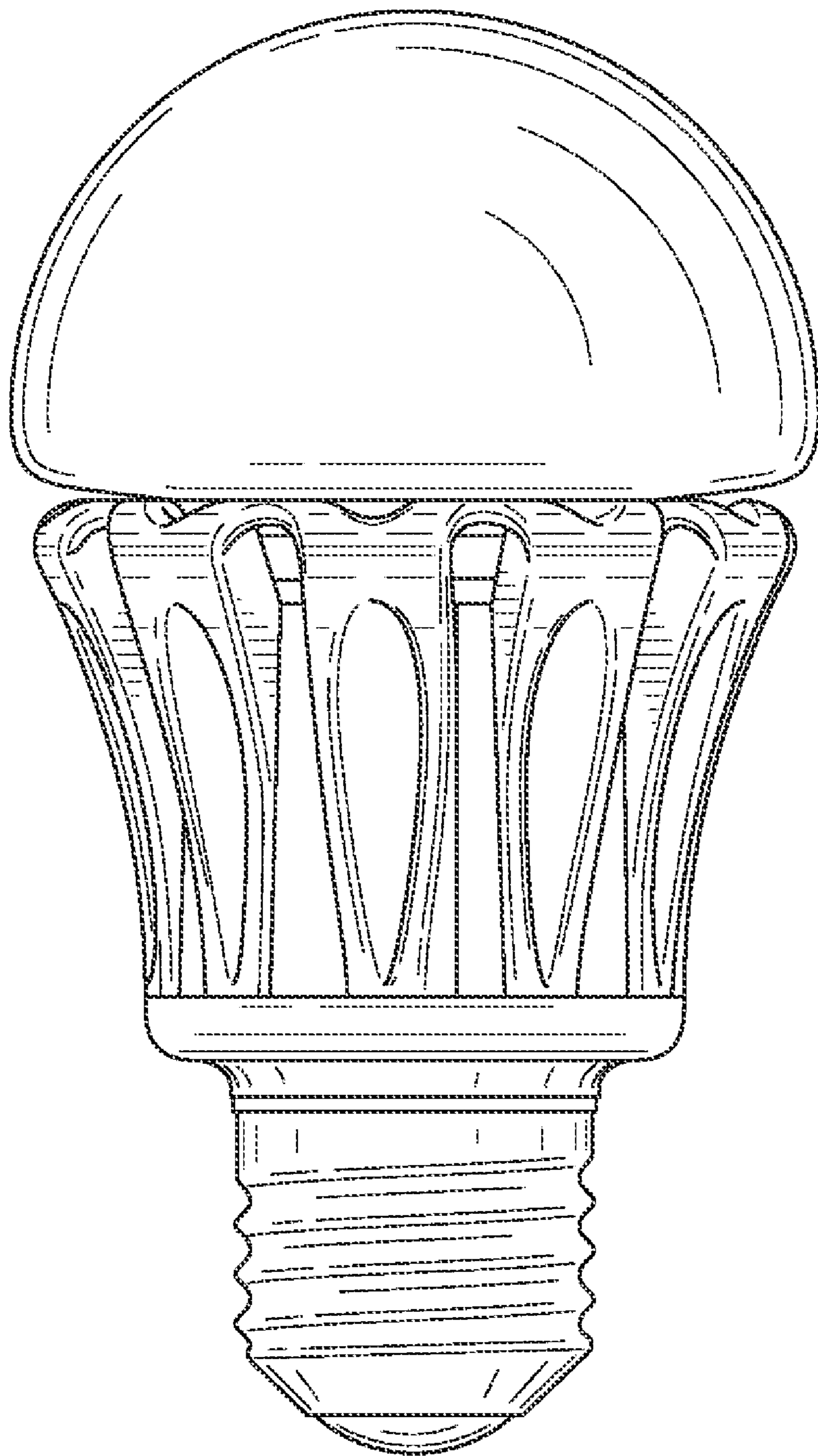


FIG. 5

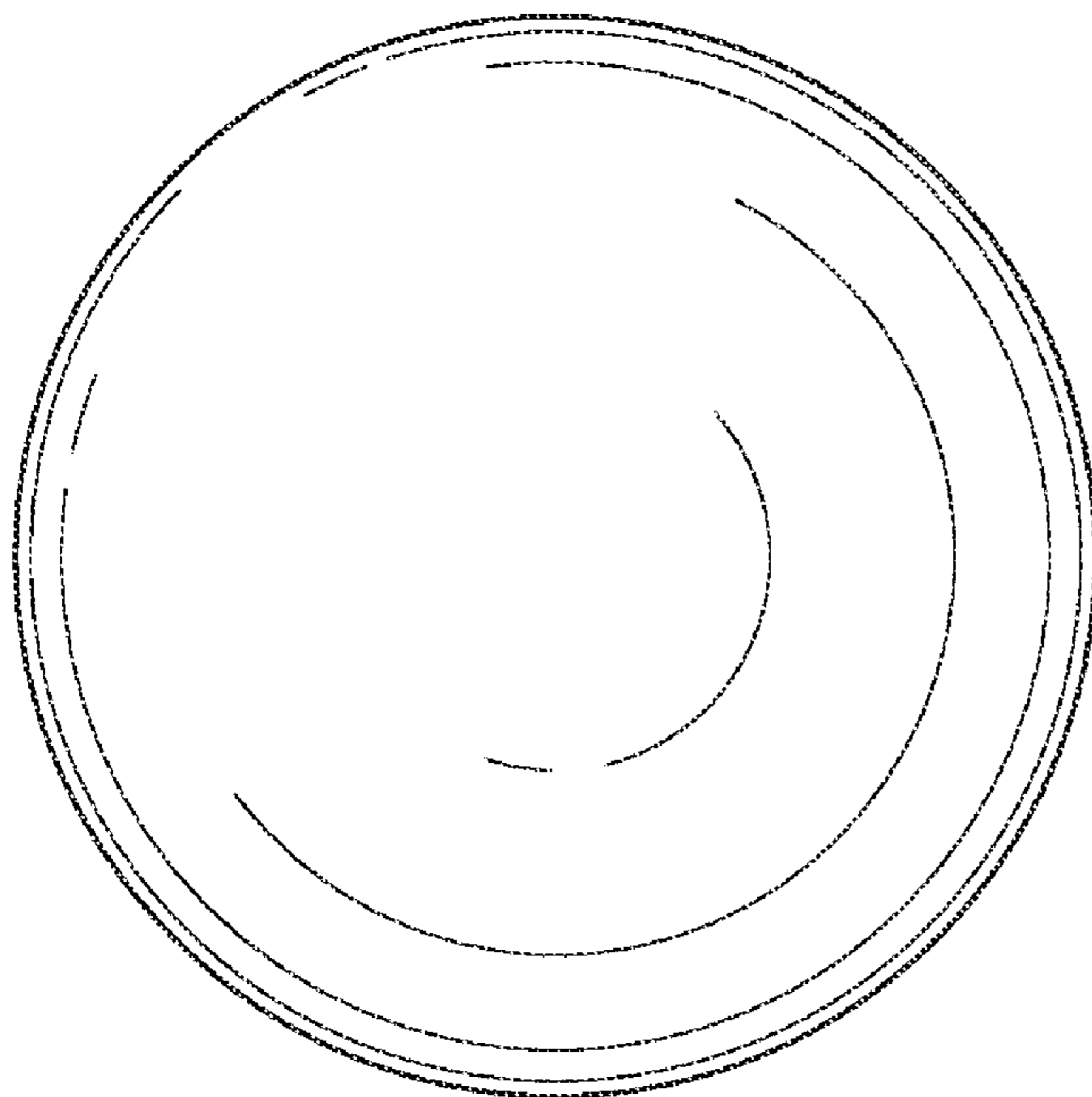


FIG. 6

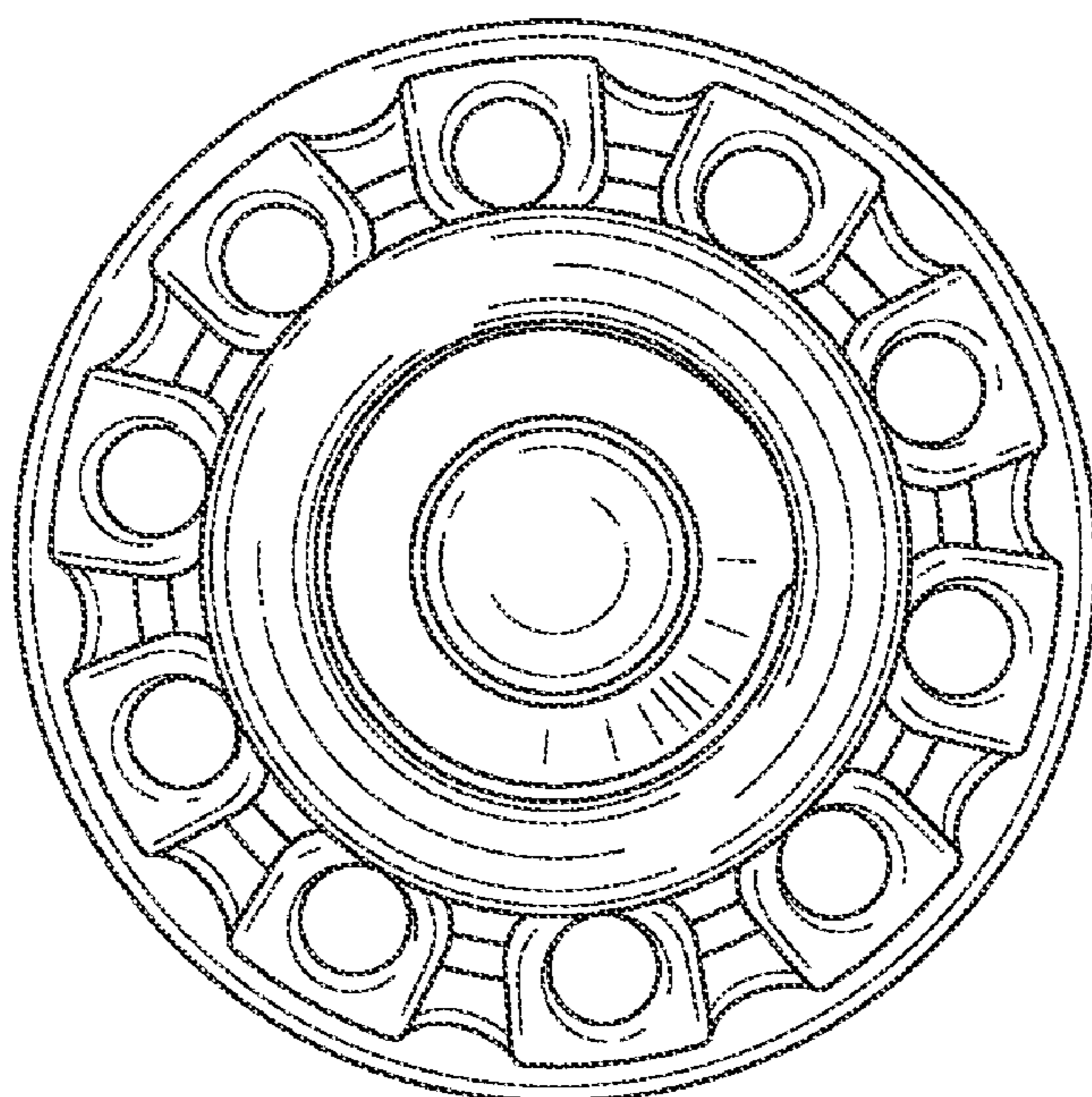


FIG. 7