



US00D634451S

(12) **United States Design Patent**  
**de Visser**

(10) **Patent No.:** **US D634,451 S**

(45) **Date of Patent:** **\*\* Mar. 15, 2011**

(54) **LED LIGHT**

D499,820 S \* 12/2004 Foo ..... D26/2  
D500,872 S \* 1/2005 Foo ..... D26/2  
D534,665 S \* 1/2007 Egawa et al. .... D26/2

(76) Inventor: **Alexander Paul Johannus de Visser,**  
Vierhouten (NL)

\* cited by examiner

(\*\*) Term: **14 Years**

*Primary Examiner* — Marcus A Jackson

(21) Appl. No.: **29/359,170**

(74) *Attorney, Agent, or Firm* — Porzio, Bromberg &  
Newman, P.C.

(22) Filed: **Apr. 7, 2010**

(57) **CLAIM**

(51) **LOC (9) Cl.** ..... **26-04**

I claim, the ornamental design for a LED light, as shown and described.

(52) **U.S. Cl.** ..... **D26/2**

(58) **Field of Classification Search** ..... D26/1-4;  
313/313, 315, 316, 317, 318, 493; 315/52,  
315/53, 56, 57, 58

**DESCRIPTION**

See application file for complete search history.

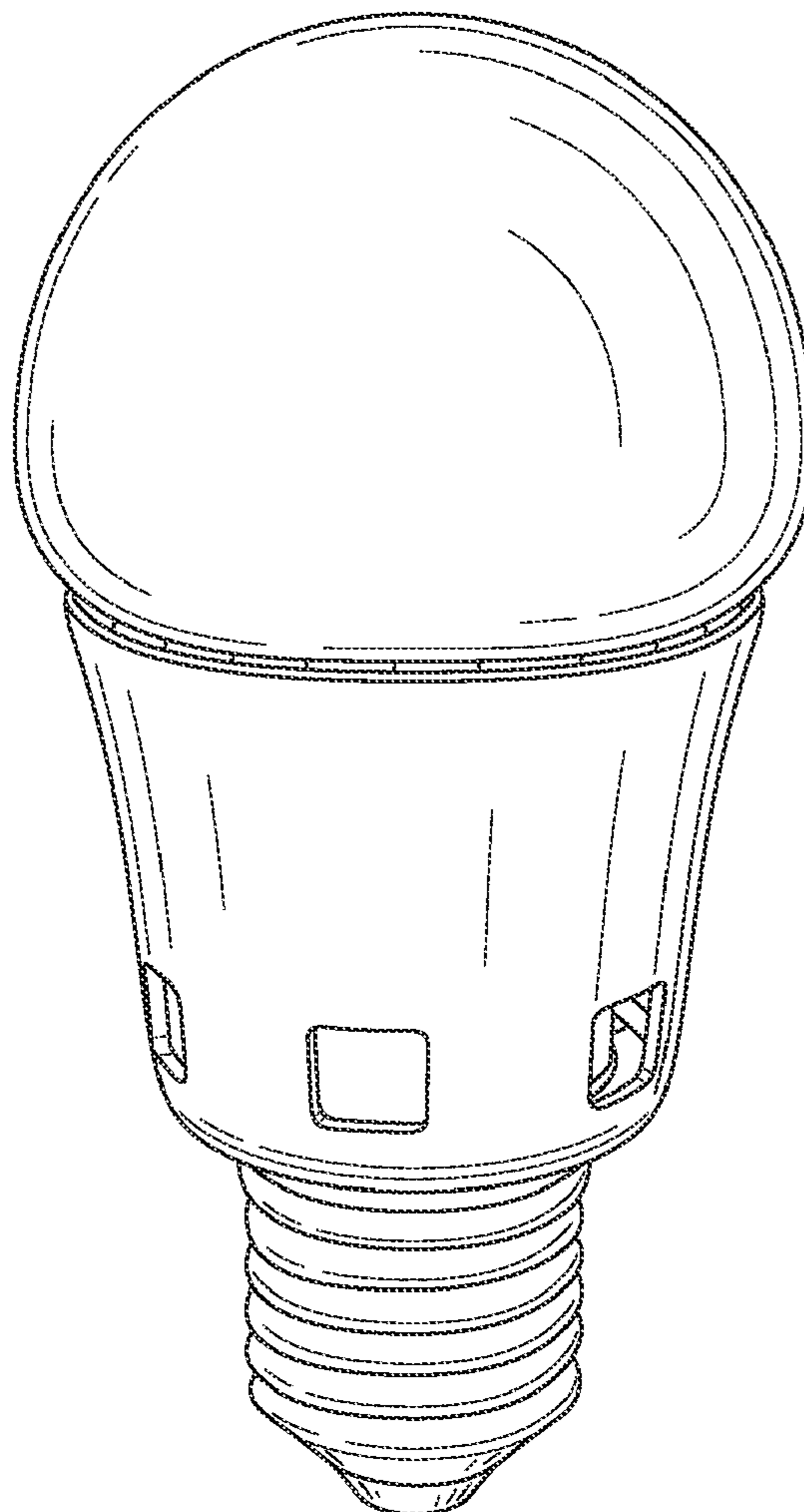
FIG. 1 is a perspective view, showing my new design;  
FIG. 2 is a front view of FIG. 1;  
FIG. 3 is back view of FIG. 1;  
FIG. 4 is a side view taken from the right side of FIG. 1;  
FIG. 5 is a side view taken from the left side of FIG. 1;  
FIG. 6 is a top view of FIG. 1; and,  
FIG. 7 is a bottom view of FIG. 1.

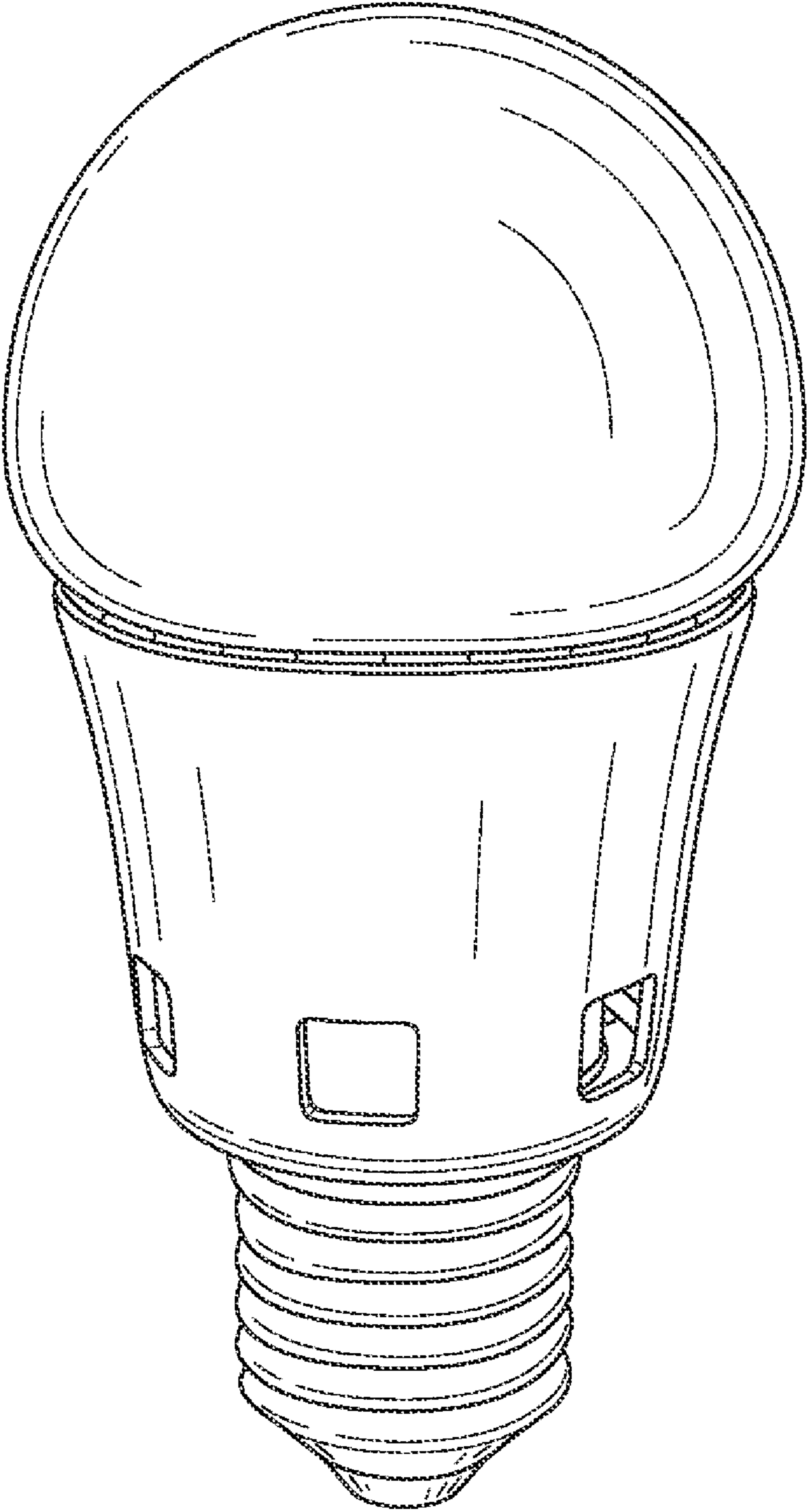
(56) **References Cited**

U.S. PATENT DOCUMENTS

D471,294 S \* 3/2003 Bobel ..... D26/2  
D487,939 S \* 3/2004 Smith ..... D26/2  
D494,688 S \* 8/2004 Van de Ven et al. .... D26/2

**1 Claim, 6 Drawing Sheets**





**FIG. 1**

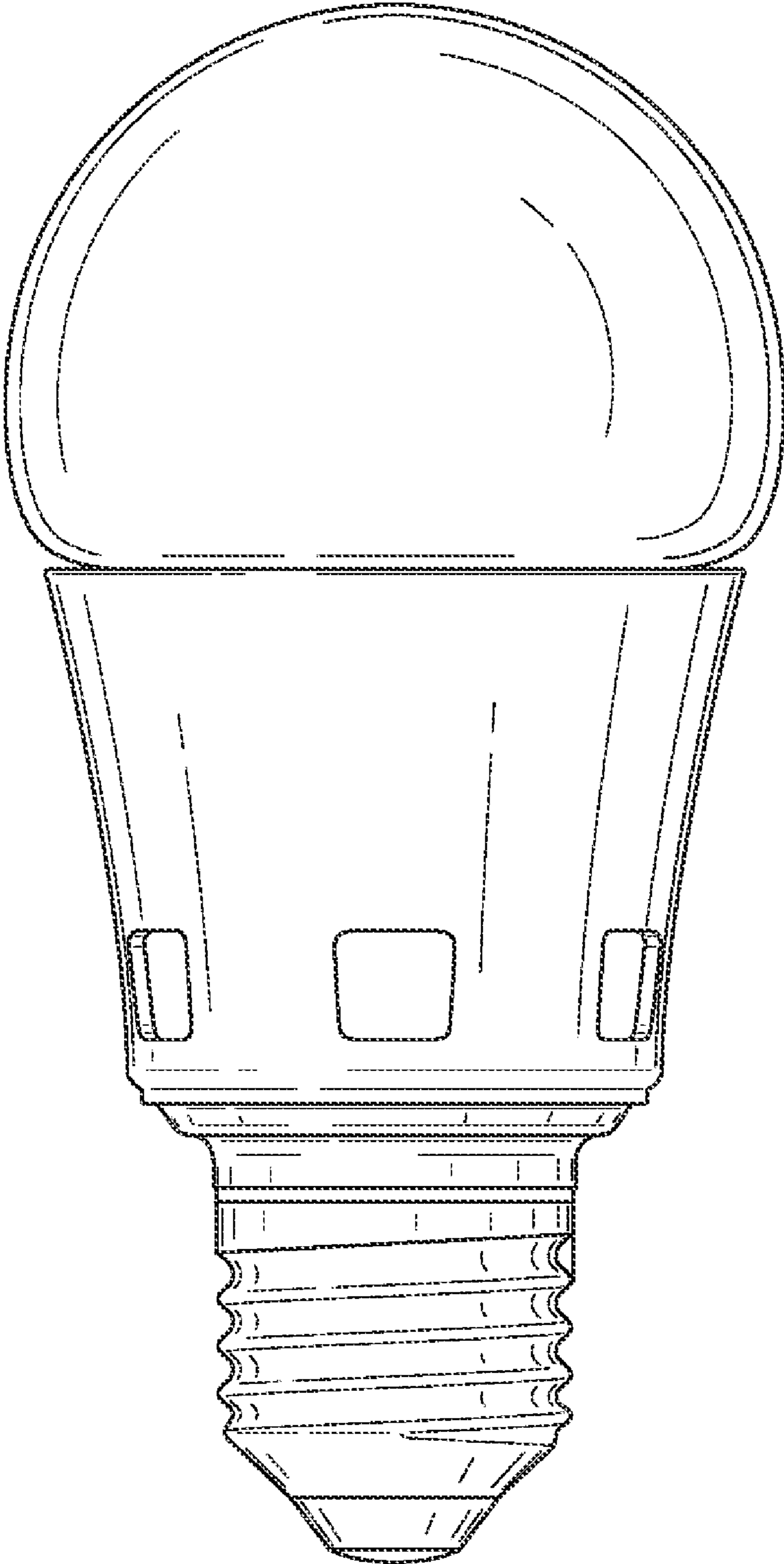
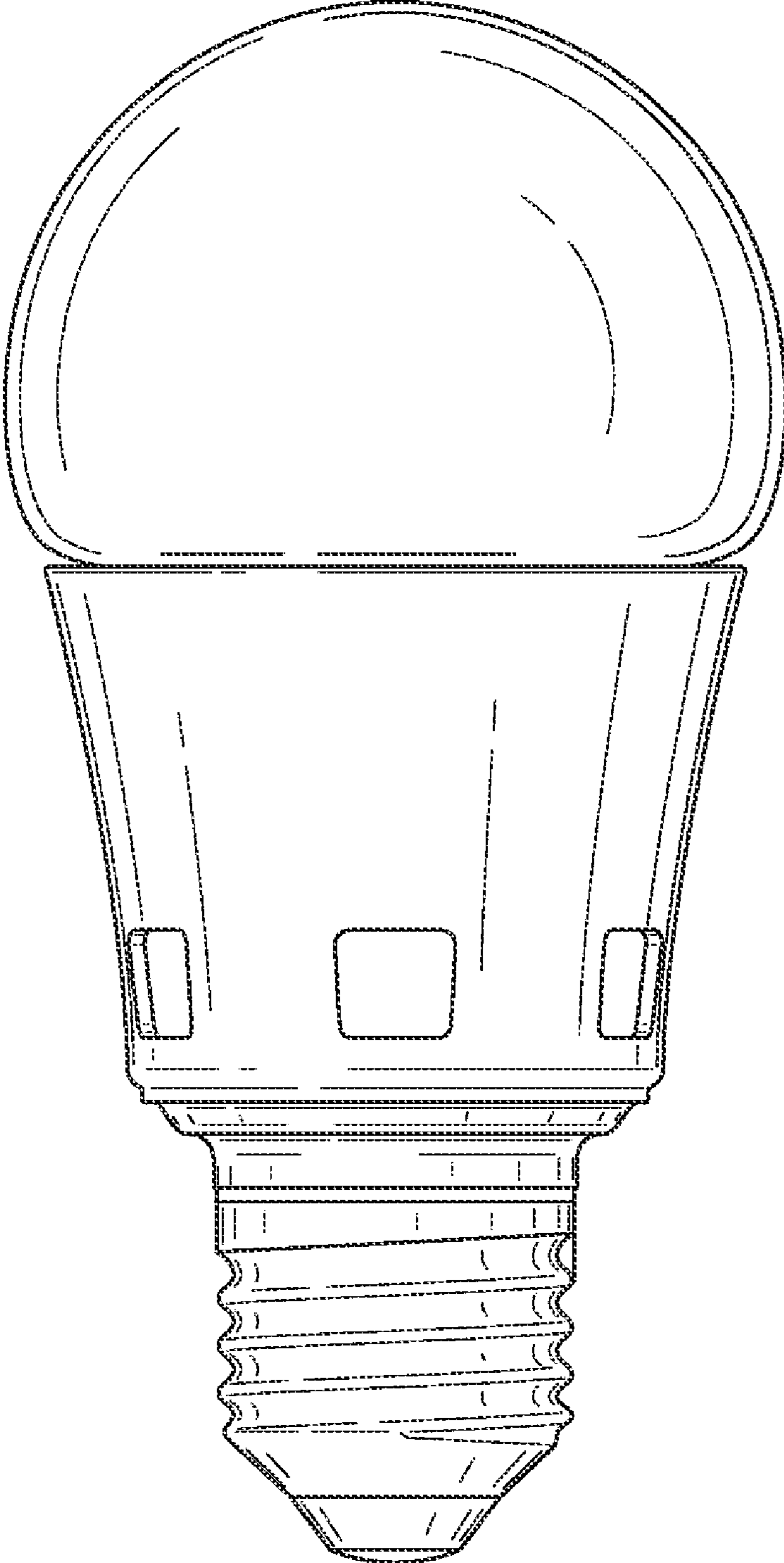
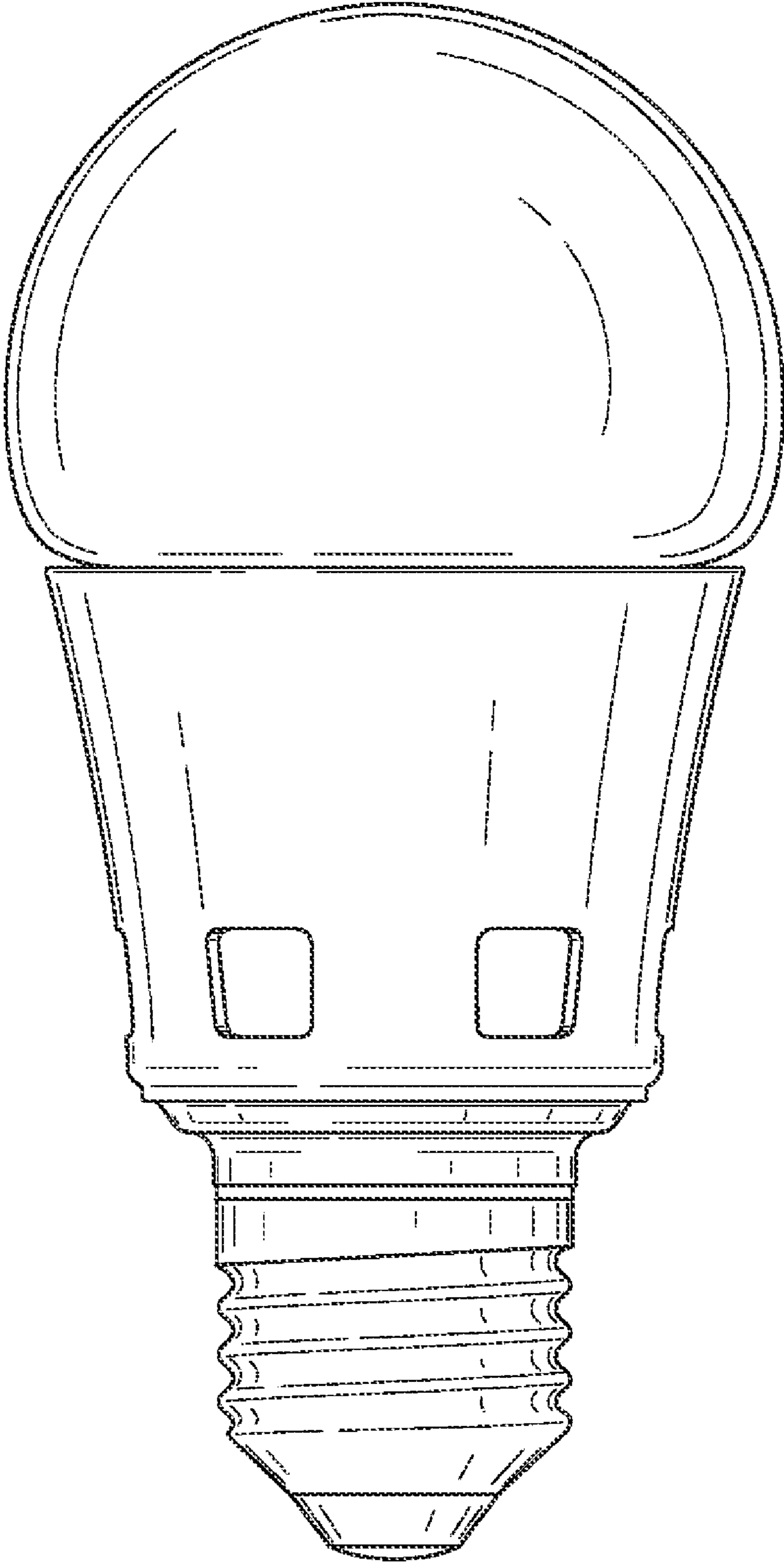


FIG. 2



**FIG. 3**



**FIG. 4**

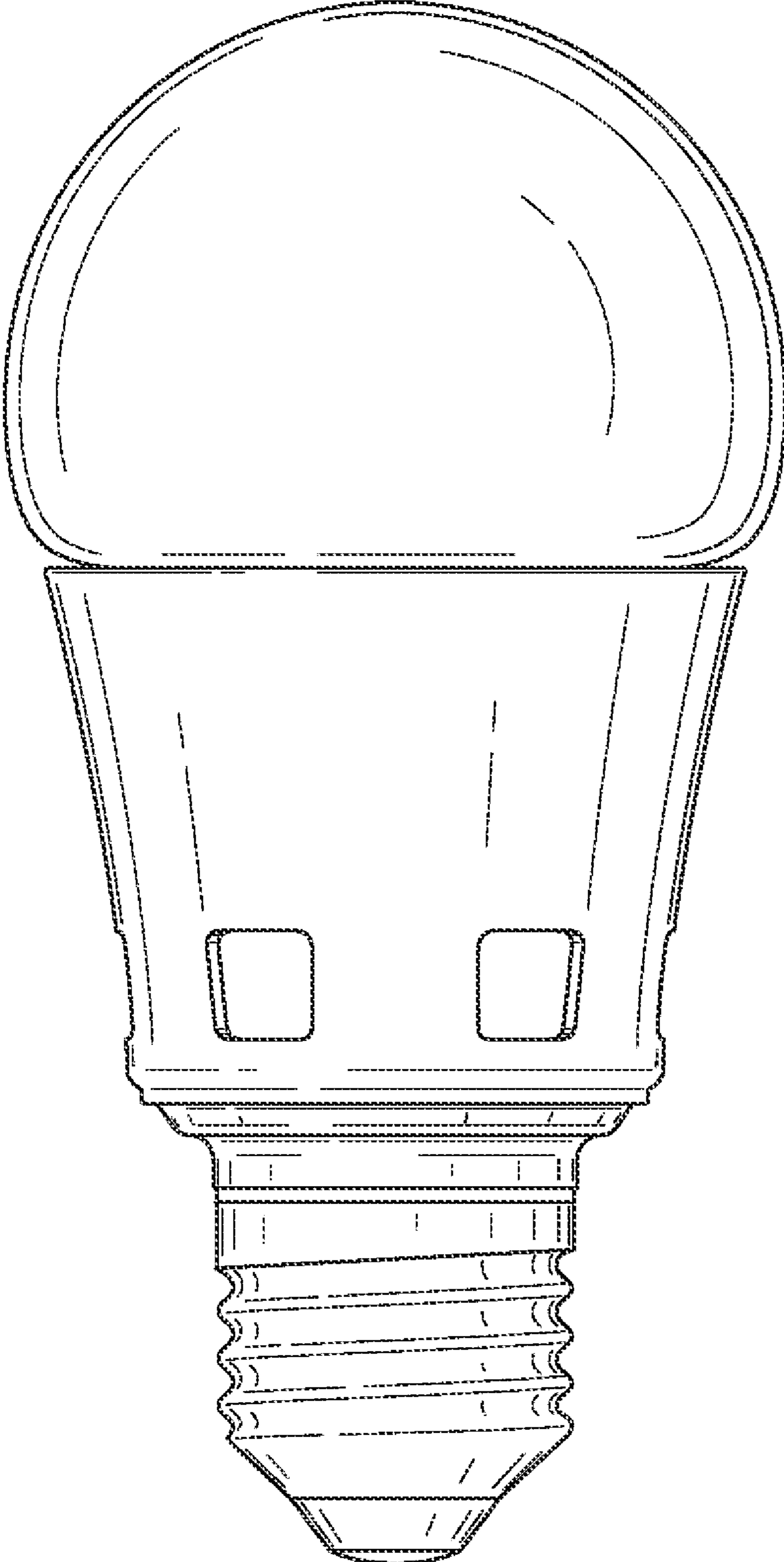
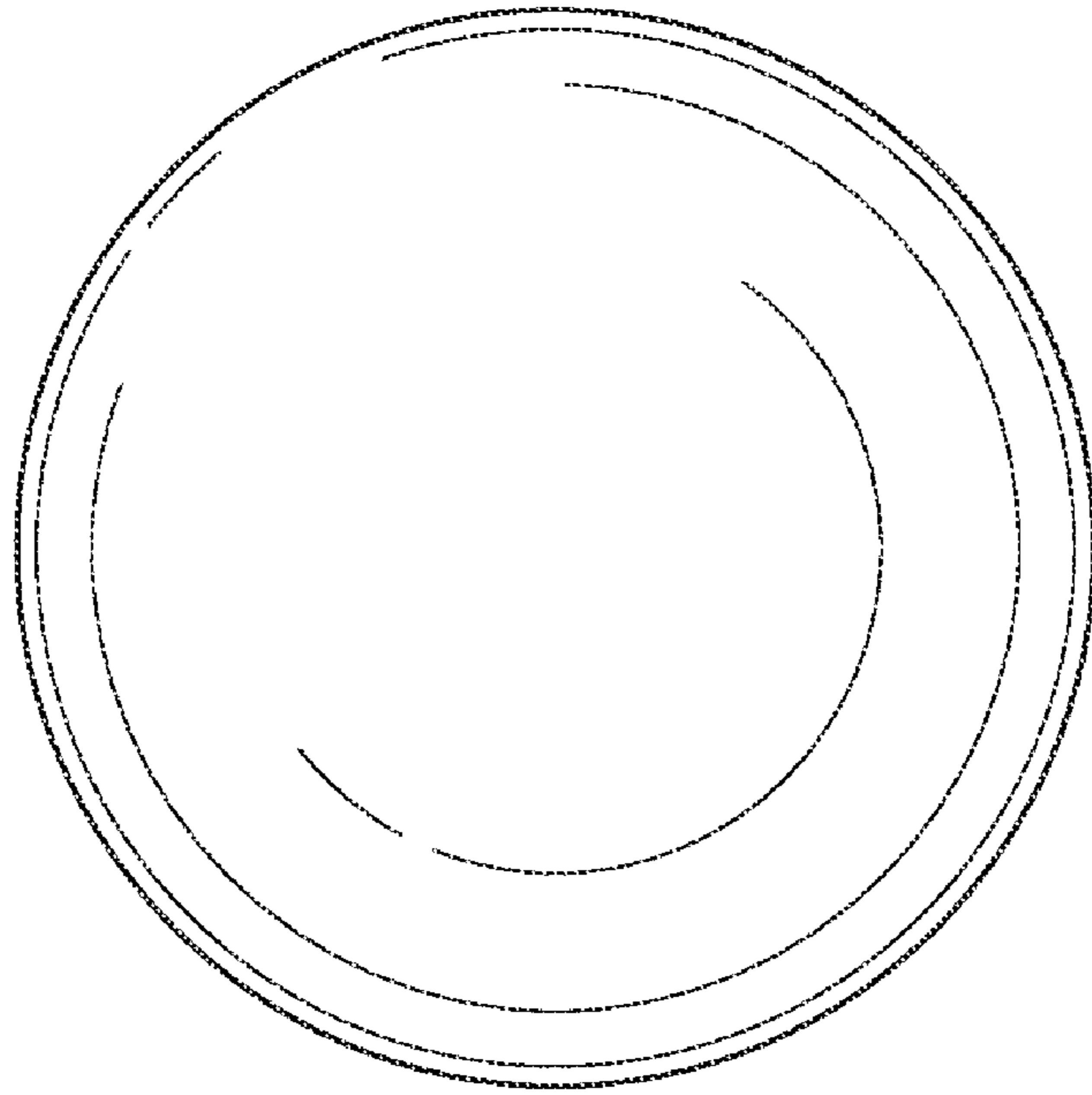
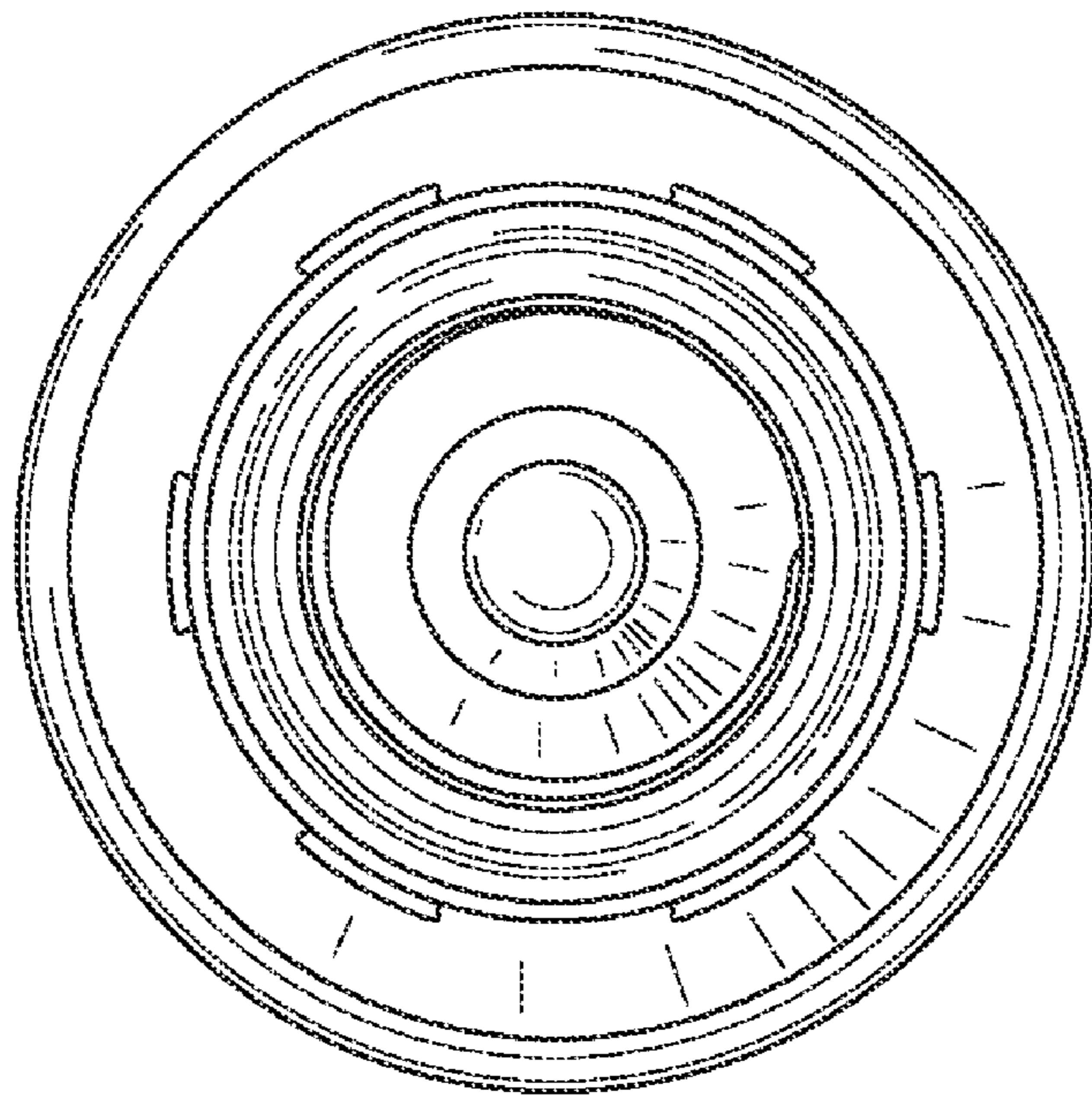


FIG. 5



**FIG. 6**



**FIG. 7**