



US00D634450S

(12) **United States Design Patent**
Stover

(10) **Patent No.:** **US D634,450 S**

(45) **Date of Patent:** **** Mar. 15, 2011**

(54) **FENCE POST TOP**

(76) Inventor: **Brian K. Stover**, New Hope, PA (US)

(**) Term: **14 Years**

(21) Appl. No.: **29/370,310**

(22) Filed: **Jun. 29, 2010**

(51) **LOC (9) Cl.** **25-01**

(52) **U.S. Cl.** **D25/135**

(58) **Field of Classification Search** D25/135;
52/300; 256/65.01, 1

See application file for complete search history.

(56) **References Cited**

U.S. PATENT DOCUMENTS

6,688,583 B2 * 2/2004 Merrick 256/1

D534,662 S * 1/2007 Quigley et al. D25/135

D580,830 S * 11/2008 Oakley D12/162

* cited by examiner

Primary Examiner — Doris Clark

(74) *Attorney, Agent, or Firm* — Armand M. Vozzo, Jr.

(57) **CLAIM**

I claim the design for a fence post top, as shown and described.

DESCRIPTION

FIG. 1 is a top perspective view of the fence post top according to the present invention;

FIG. 2 is a top plan view of the fence post top;

FIG. 3 is a bottom view of the fence post top;

FIG. 4 is a front side elevation view of the fence post top, the back side being a mirror image thereof; and,

FIG. 5 is a left side elevation view of the fence post top, the right side being a mirror image thereof.

The fence post top of my design has a generally square opening on the bottom and threaded cylindrical projection on the top.

1 Claim, 3 Drawing Sheets

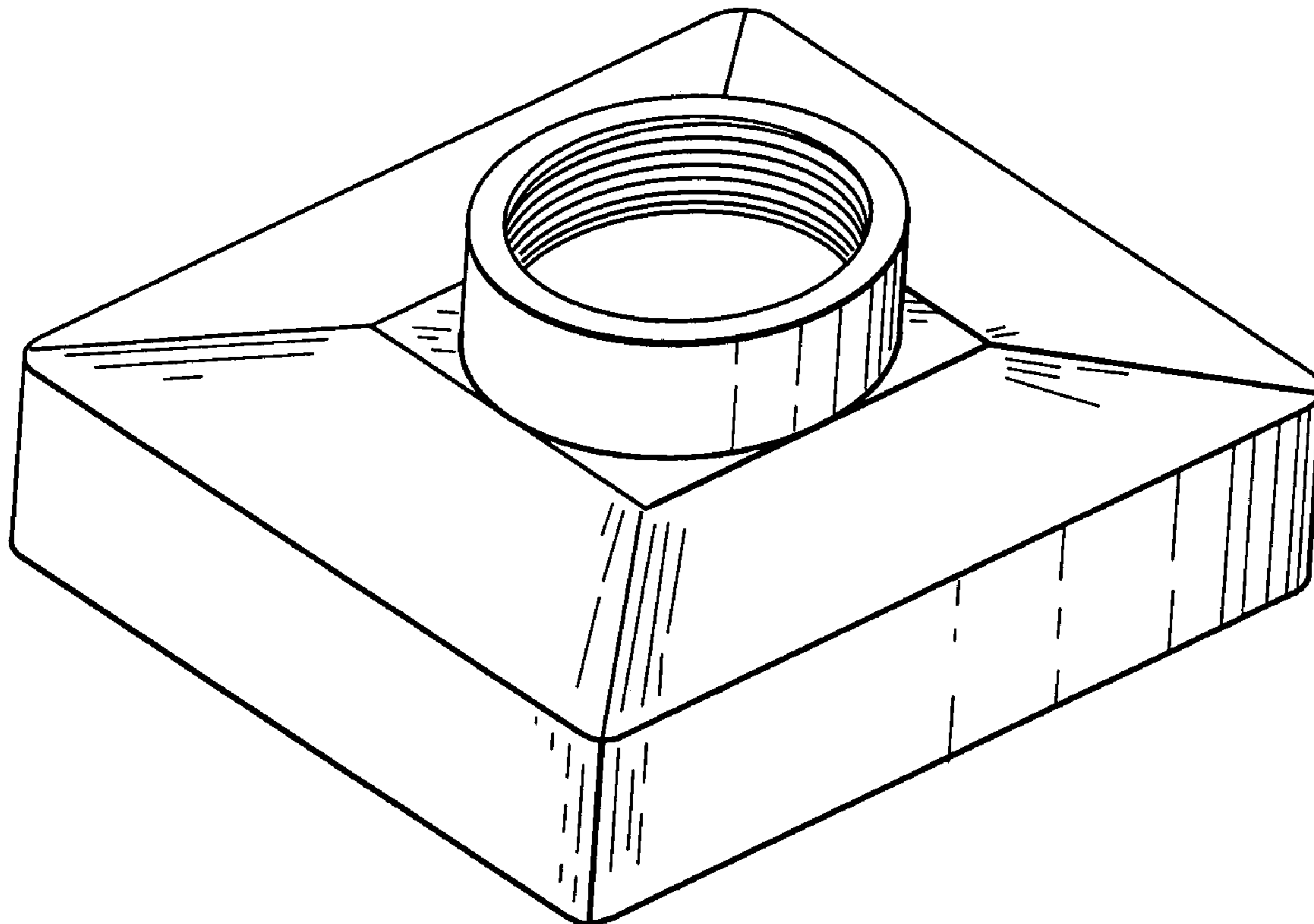
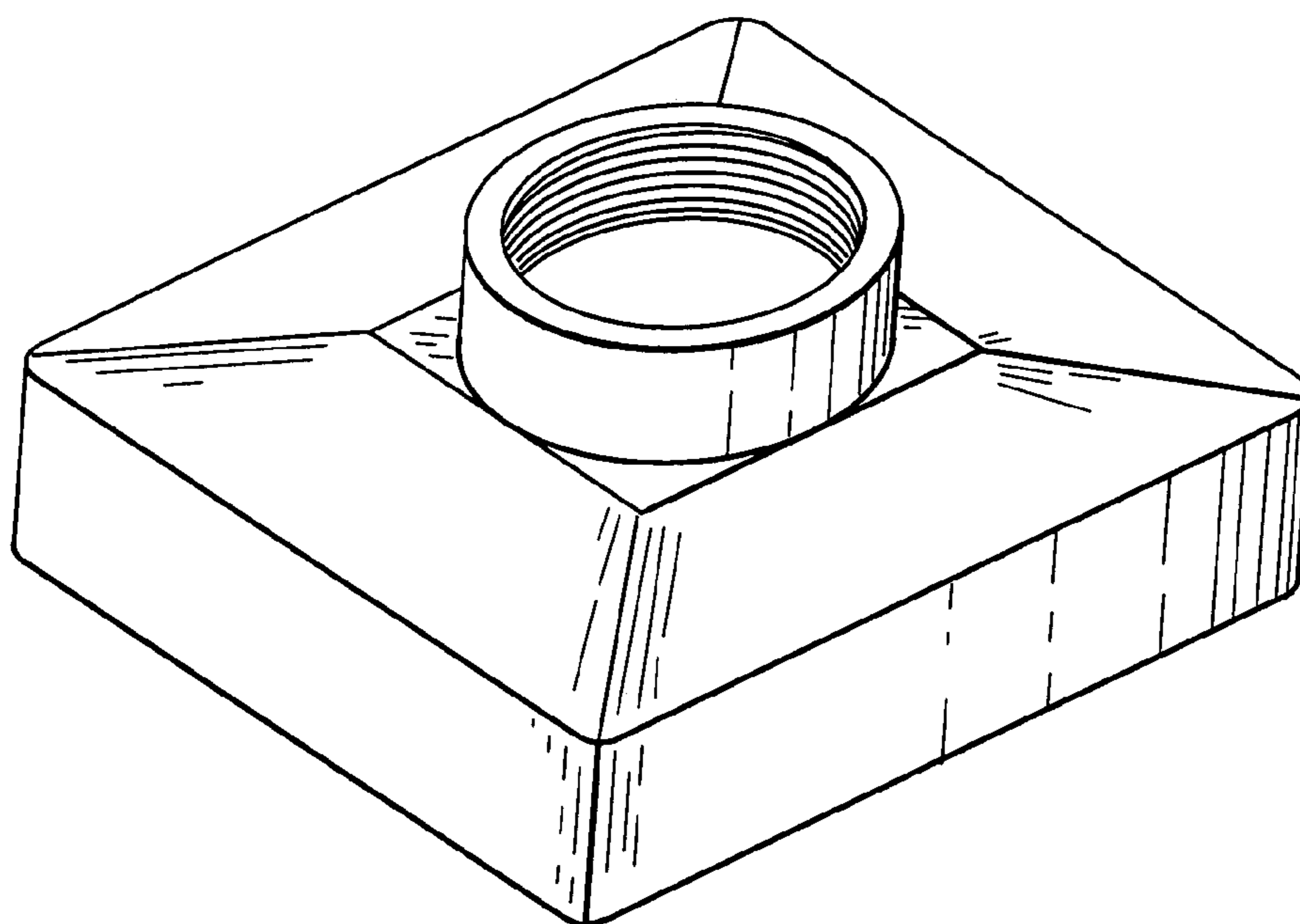


FIG. 1



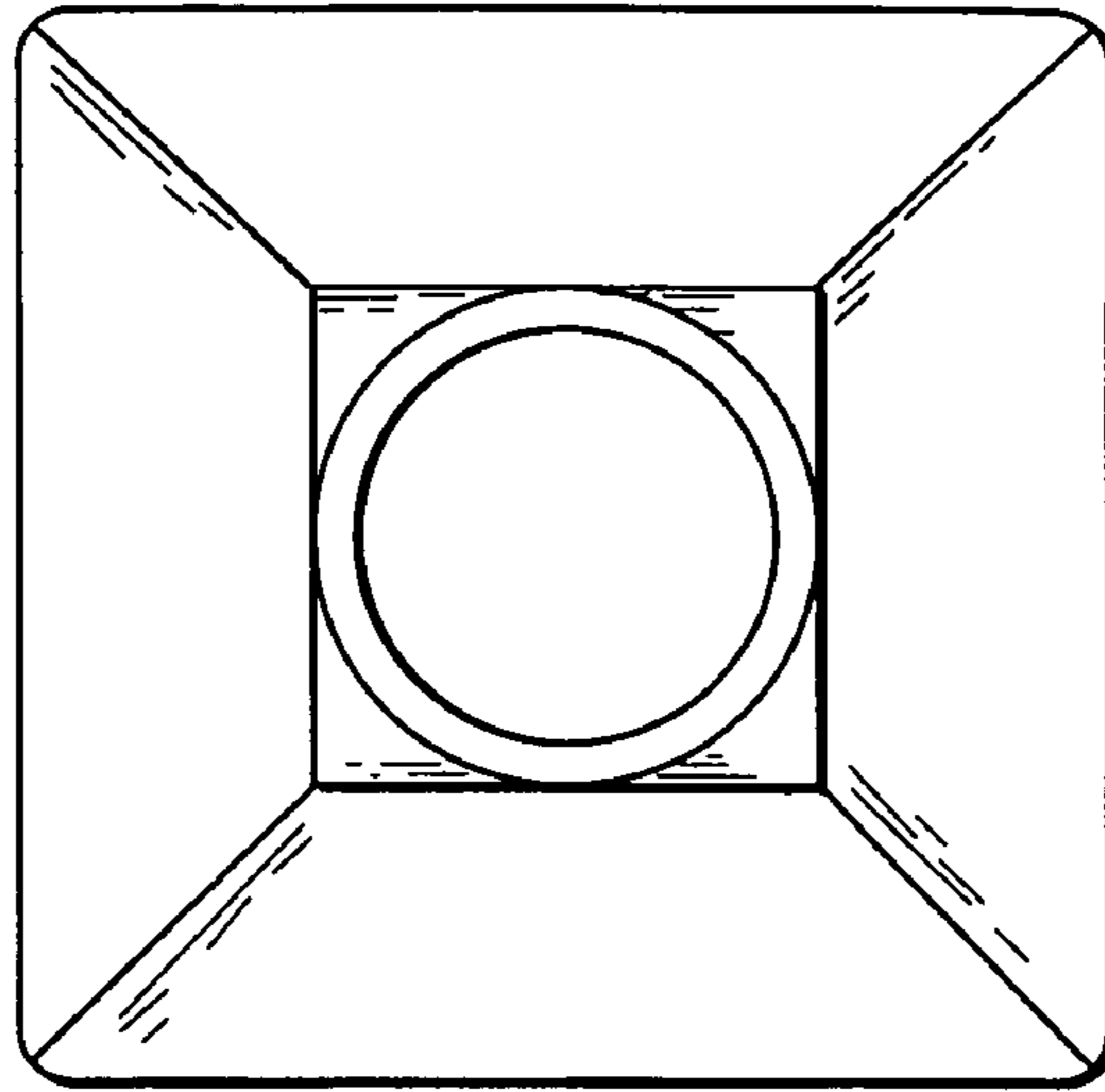


FIG. 2

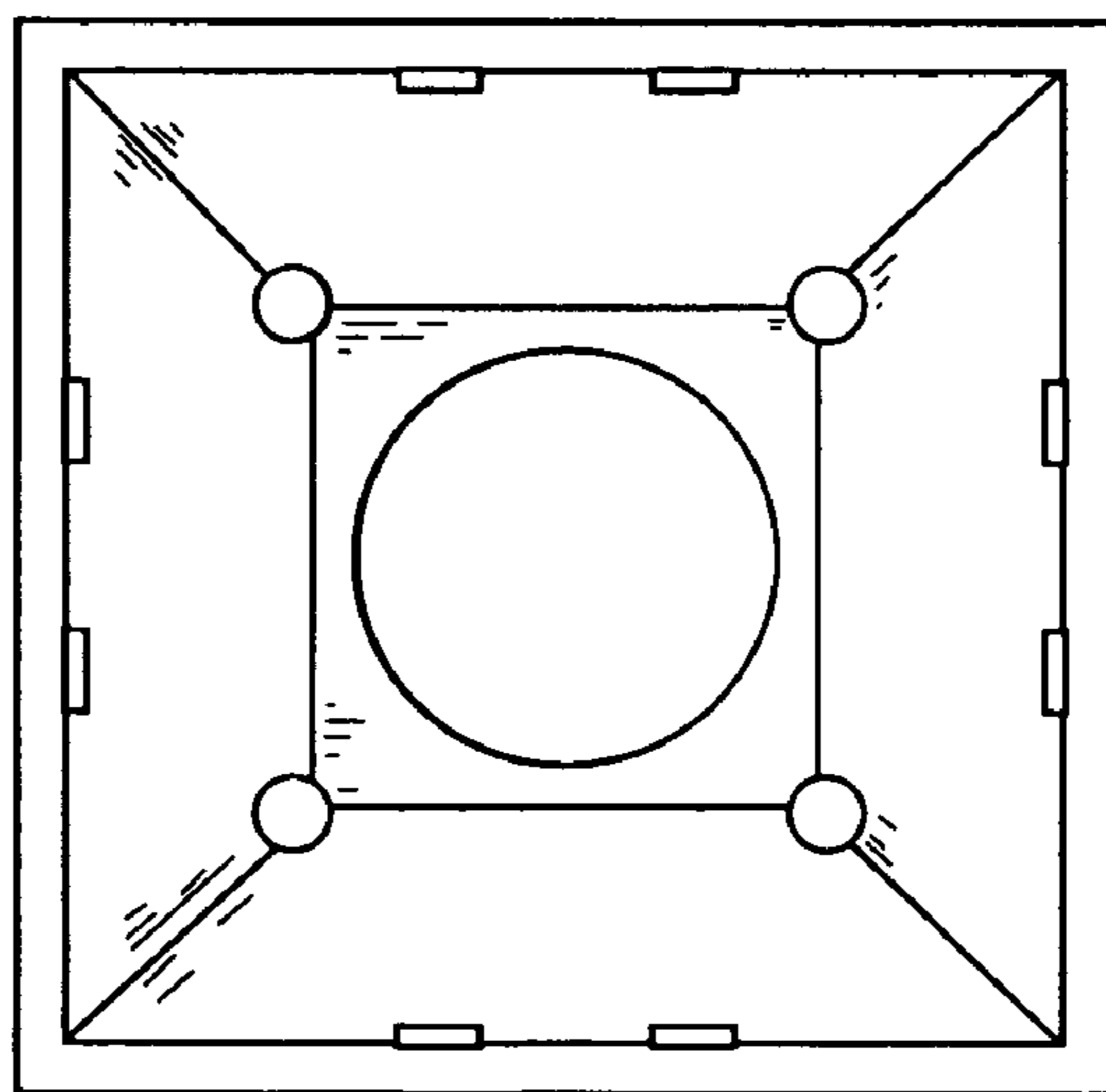


FIG. 3

FIG. 4

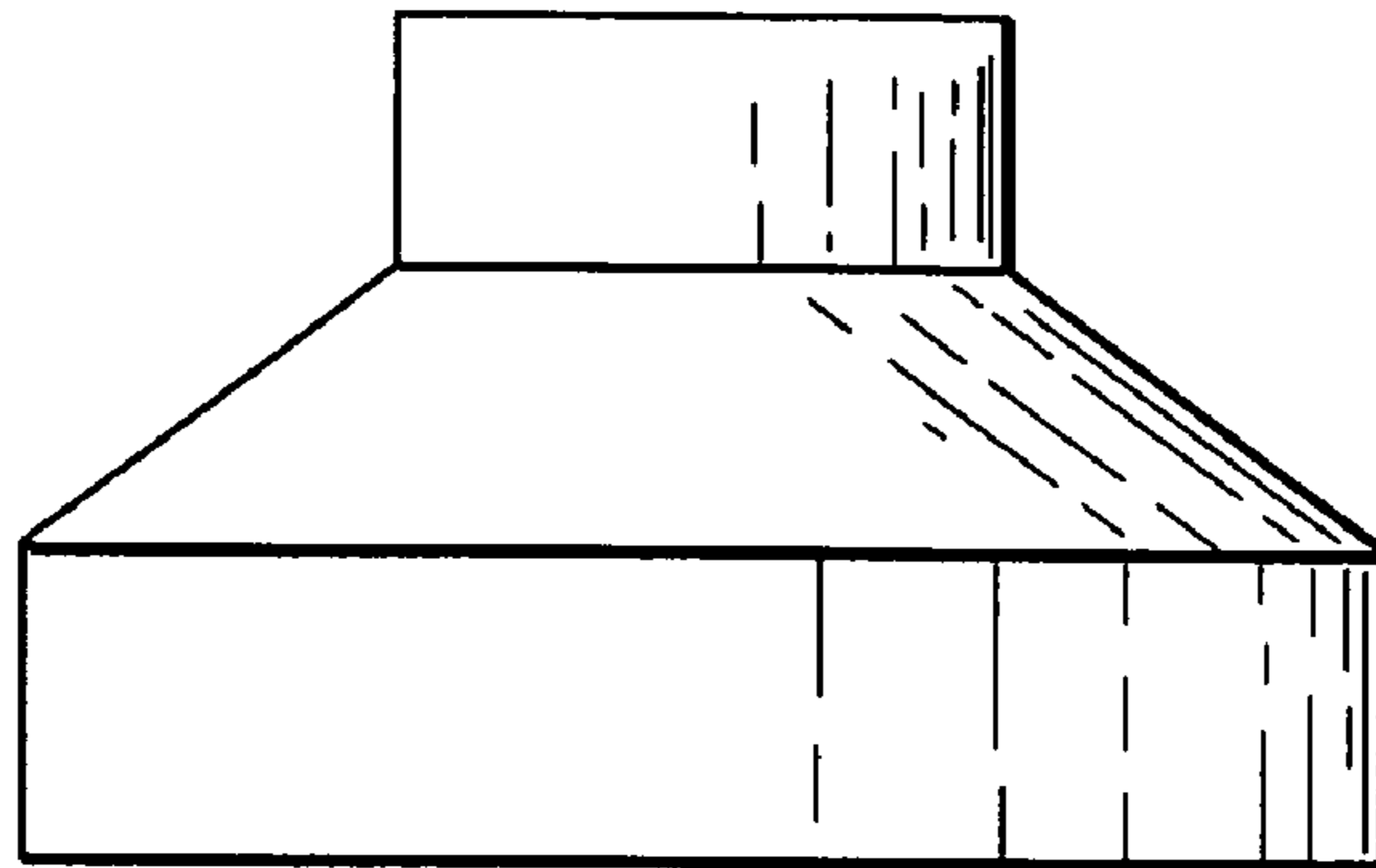


FIG. 5

