



US00D634448S

(12) **United States Design Patent**
Richmond

(10) **Patent No.:** **US D634,448 S**

(45) **Date of Patent:** **** Mar. 15, 2011**

(54) **WIDE LOWER FENCE RAIL RETAINER**

(76) Inventor: **Todd Richmond**, Muldrow, AR (US)

(**) Term: **14 Years**

(21) Appl. No.: **29/348,552**

(22) Filed: **Jan. 15, 2010**

(51) **LOC (9) Cl.** **25-01**

(52) **U.S. Cl.** **D25/133**

(58) **Field of Classification Search** D25/38,
D25/45, 131, 133, 134; 256/1, 32, 33, 35,
256/25

See application file for complete search history.

(56) **References Cited**

U.S. PATENT DOCUMENTS

351,109	A *	10/1886	Horrocks	256/33
1,764,284	A	6/1930	Barton		
2,877,600	A *	3/1959	Slate	47/33
3,724,145	A *	4/1973	Daniel	52/157
4,301,996	A	11/1981	Holyoak	256/1
4,570,906	A *	2/1986	Walden	256/34
D424,713	S *	5/2000	Blackwell	D25/131
D450,856	S *	11/2001	McNeill	D25/38
D471,291	S *	3/2003	Ammons	D25/131
6,621,008	B1 *	9/2003	McPhail	174/135

D486,250	S *	2/2004	Mettler et al.	D25/133
7,216,854	B2	5/2007	Bryan	256/25
7,562,453	B1	7/2009	Benner et al.	29/897.31

* cited by examiner

Primary Examiner — Doris Clark

(74) *Attorney, Agent, or Firm* — Keisling & Pieper PLC;
David B. Pieper

(57) **CLAIM**

The ornamental design for a wide lower fence rail retainer, as shown and described.

DESCRIPTION

FIG. 1 is a top view of a wide lower fence rail retainer showing my new design;

FIG. 2 is a left side view thereof;

FIG. 3 is a front view thereof;

FIG. 4 is a right side view thereof; and,

FIG. 5 is a bottom view thereof;

FIG. 6 is a back view thereof; and,

FIG. 7 is an isometric view thereof.

FIG. 8 is an environmental view thereof restraining a chain link fence to the ground. The chain link fence and ground shown in dashed lines are for illustrative purposes only and do not form part of the claimed design.

1 Claim, 3 Drawing Sheets

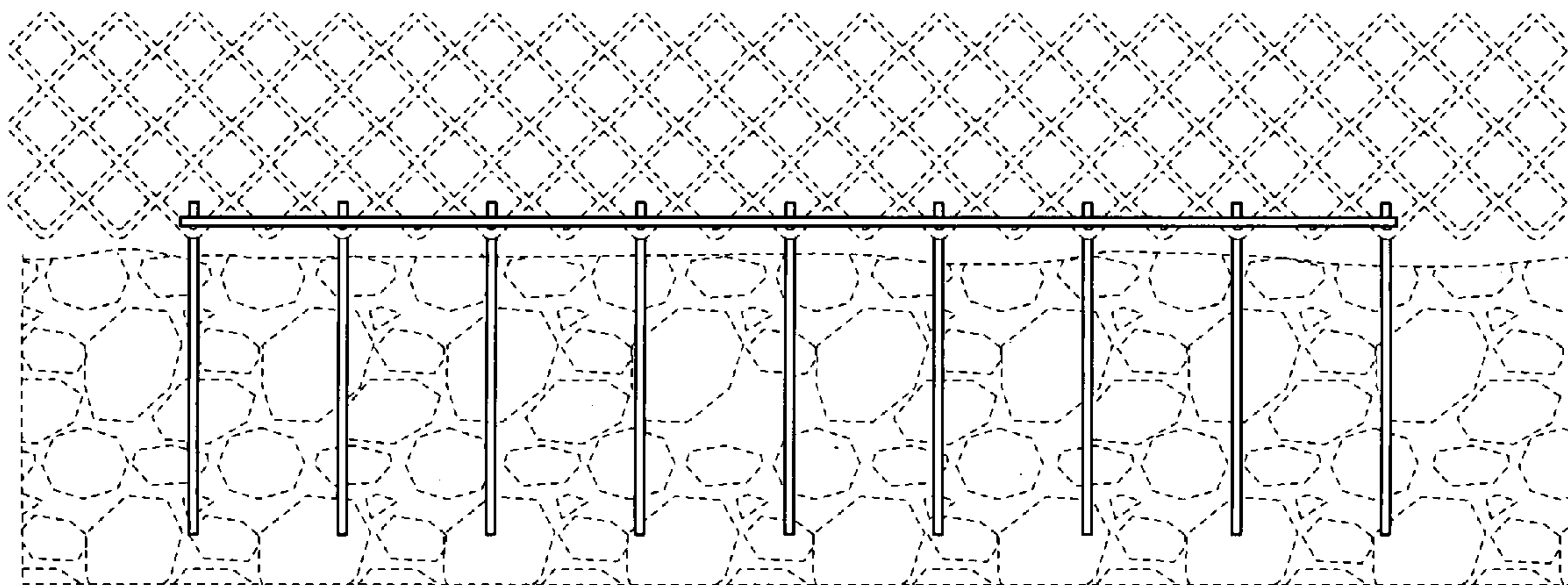




FIG. 1

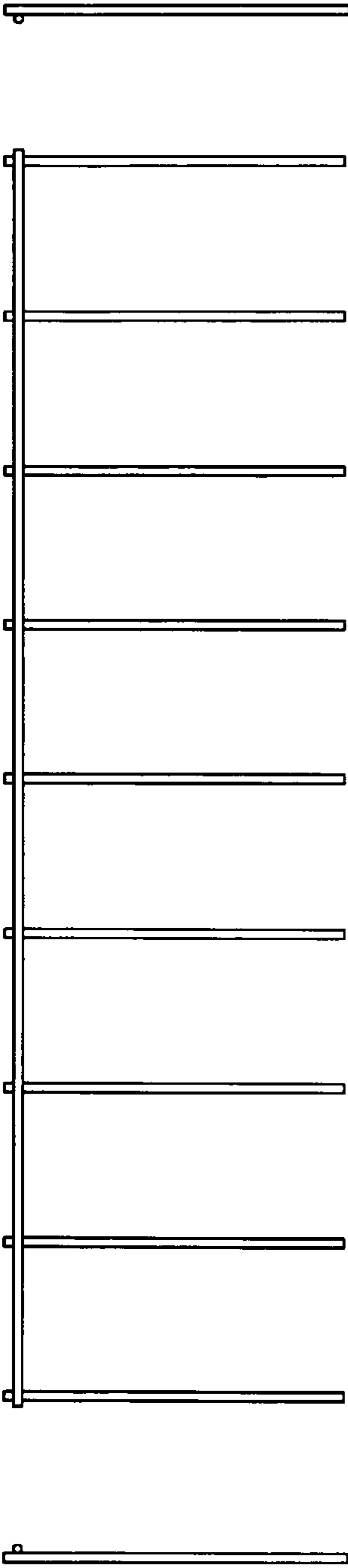


FIG. 2

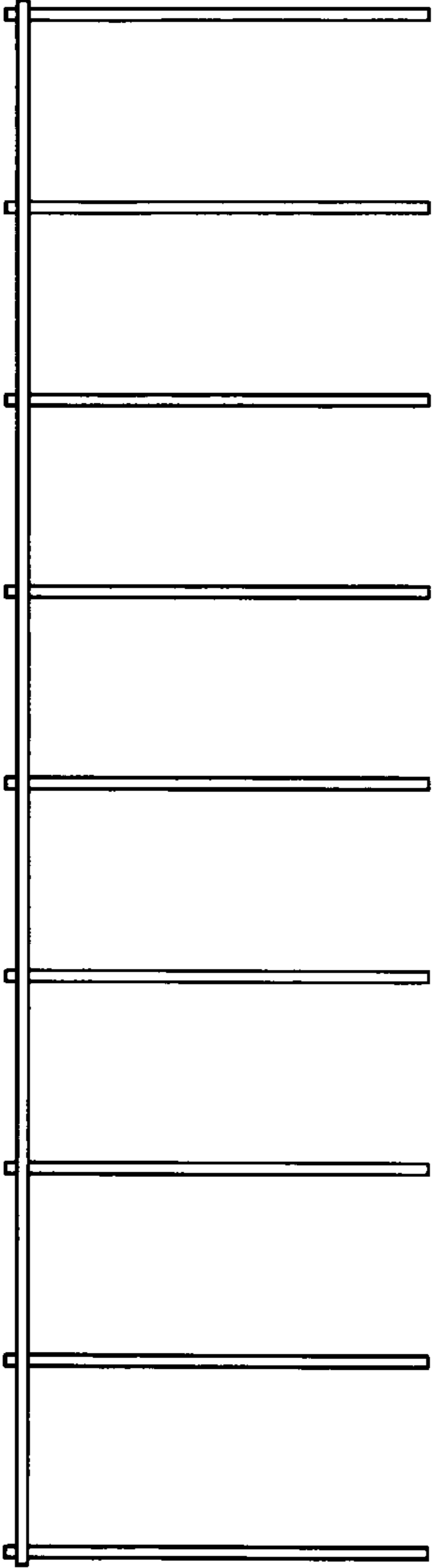


FIG. 3



FIG. 4



FIG. 5

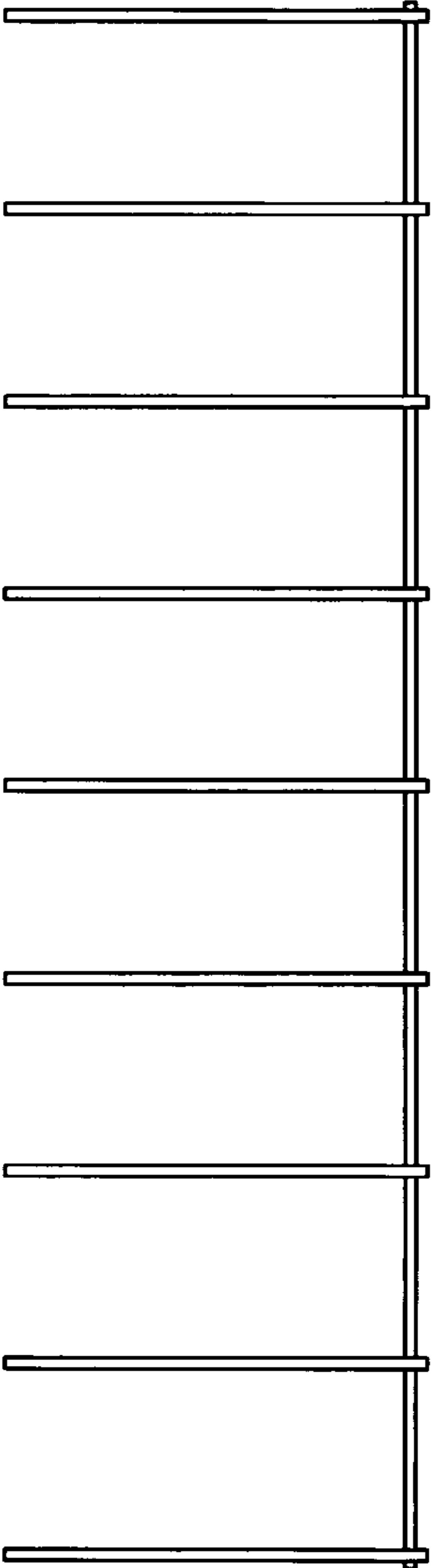


FIG. 6

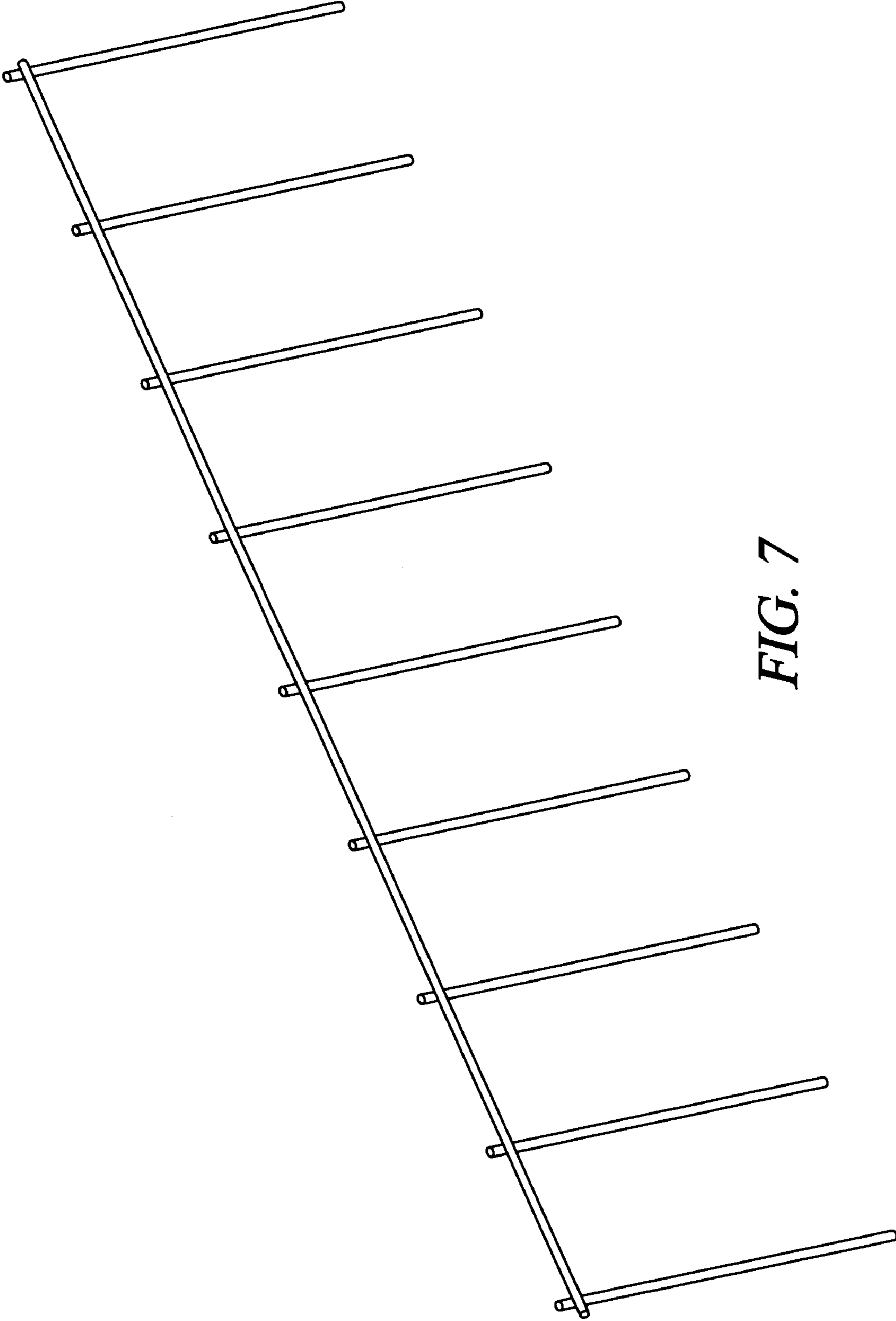


FIG. 7

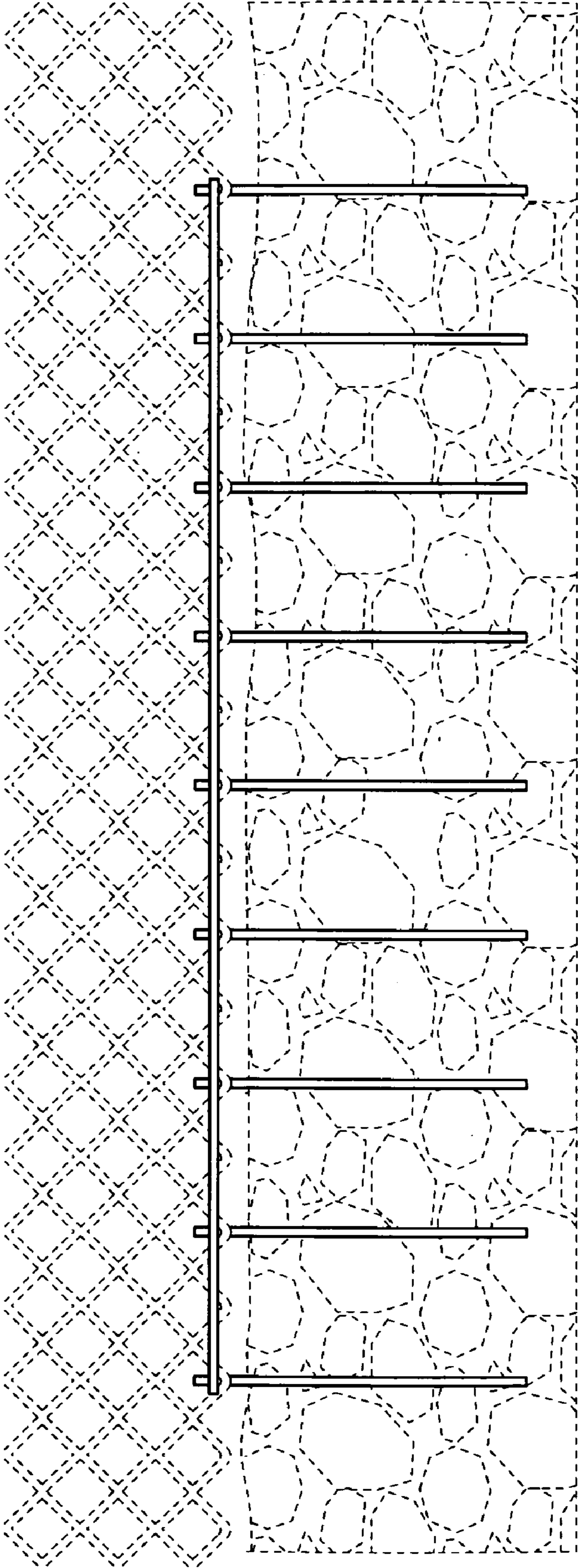


FIG. 8