



US00D634442S

(12) **United States Design Patent**  
**Tajima et al.**

(10) **Patent No.:** **US D634,442 S**

(45) **Date of Patent:** **\*\* Mar. 15, 2011**

(54) **APPARATUS FOR PROCESSING PROTEINS**

(75) Inventors: **Hideji Tajima**, Matsudo (JP); **Yoshinao Hirahara**, Matsudo (JP)

(73) Assignee: **Universal Bio Research Co., Ltd.**, Matsudo-Shi, Chiba (JP)

(\*\*) Term: **14 Years**

(21) Appl. No.: **29/299,804**

(22) Filed: **Jan. 4, 2008**

(51) **LOC (9) Cl.** ..... **24-02**

(52) **U.S. Cl.** ..... **D24/232**

(58) **Field of Classification Search** ..... D24/158,  
D24/163, 169, 176, 186, 216, 231-232; D10/81;  
422/50, 56, 58, 61, 62, 63, 69, 99, 102; 436/65,  
436/66; 600/300, 301, 368, 372, 481, 529,  
600/544, 554, 561

See application file for complete search history.

(56) **References Cited**

**U.S. PATENT DOCUMENTS**

D339,639 S *	9/1993	Ohnuma et al. ....	D24/186
D387,164 S *	12/1997	Barnett et al. ....	D24/163
D399,959 S *	10/1998	Prokop et al. ....	D24/169
D402,369 S *	12/1998	Prokop et al. ....	D24/169
D404,488 S *	1/1999	Raimann ..... ..	D24/163
D430,304 S *	8/2000	Oonuma et al. ....	D24/233
D474,279 S *	5/2003	Mayer et al. ....	D24/231
D494,680 S *	8/2004	Takahashi ..... ..	D24/158
D508,999 S *	8/2005	Fanning et al. ....	D10/81
D515,707 S *	2/2006	Shinohara et al. ....	D24/216
D527,464 S *	8/2006	Ina et al. .... ..	D24/232
D535,403 S *	1/2007	Isozaki et al. ....	D24/232
D549,338 S *	8/2007	Kondo ..... ..	D24/158

D549,827 S *	8/2007	Maeno et al. ....	D24/169
D554,757 S *	11/2007	Haymann et al. ....	D24/176
D568,477 S *	5/2008	Takahashi et al. ....	D24/158
D571,474 S *	6/2008	Sjo-Gaber et al. ....	D24/186
D571,480 S *	6/2008	Beck et al. .... ..	D24/232
D588,276 S *	3/2009	Isozaki et al. ....	D24/232
D591,864 S *	5/2009	Schmidt ..... ..	D24/216
D599,234 S *	9/2009	Ito ..... ..	D10/81
D607,575 S *	1/2010	Walsh ..... ..	D24/216

\* cited by examiner

*Primary Examiner* — T. Chase Nelson

*Assistant Examiner* — Mark Cavanna

(74) *Attorney, Agent, or Firm* — Haynes and Boone, LLP

(57) **CLAIM**

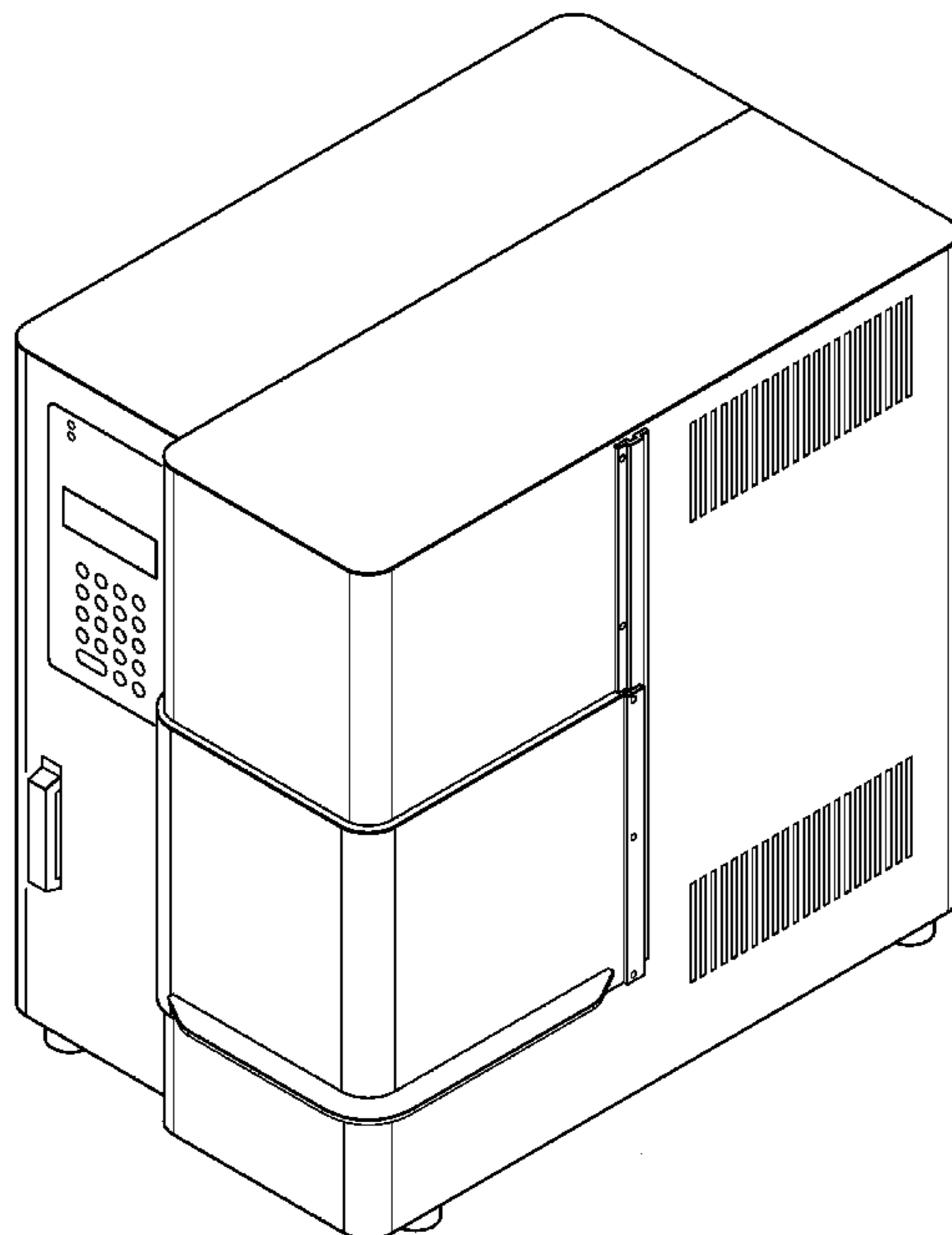
The ornamental design for an apparatus for processing proteins, as shown and described.

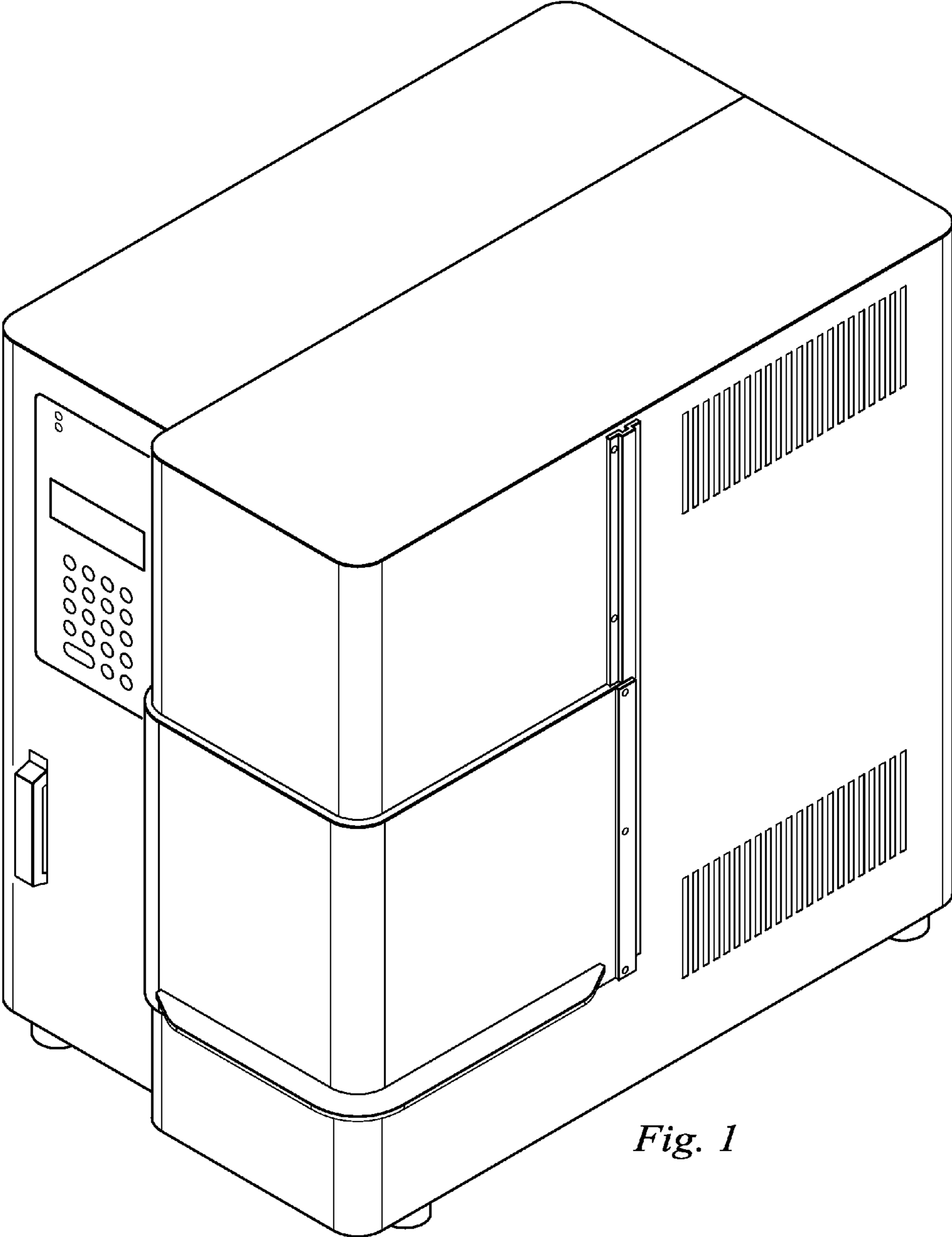
**DESCRIPTION**

FIG. 1 is a perspective view of the apparatus for processing proteins showing our new design;  
FIG. 2 is a front elevational view thereof;  
FIG. 3 is a rear elevational view thereof;  
FIG. 4 is a left side elevational view thereof;  
FIG. 5 is a right side elevational view thereof;  
FIG. 6 is a top plan view thereof; and,  
FIG. 7 is a bottom plan view thereof.

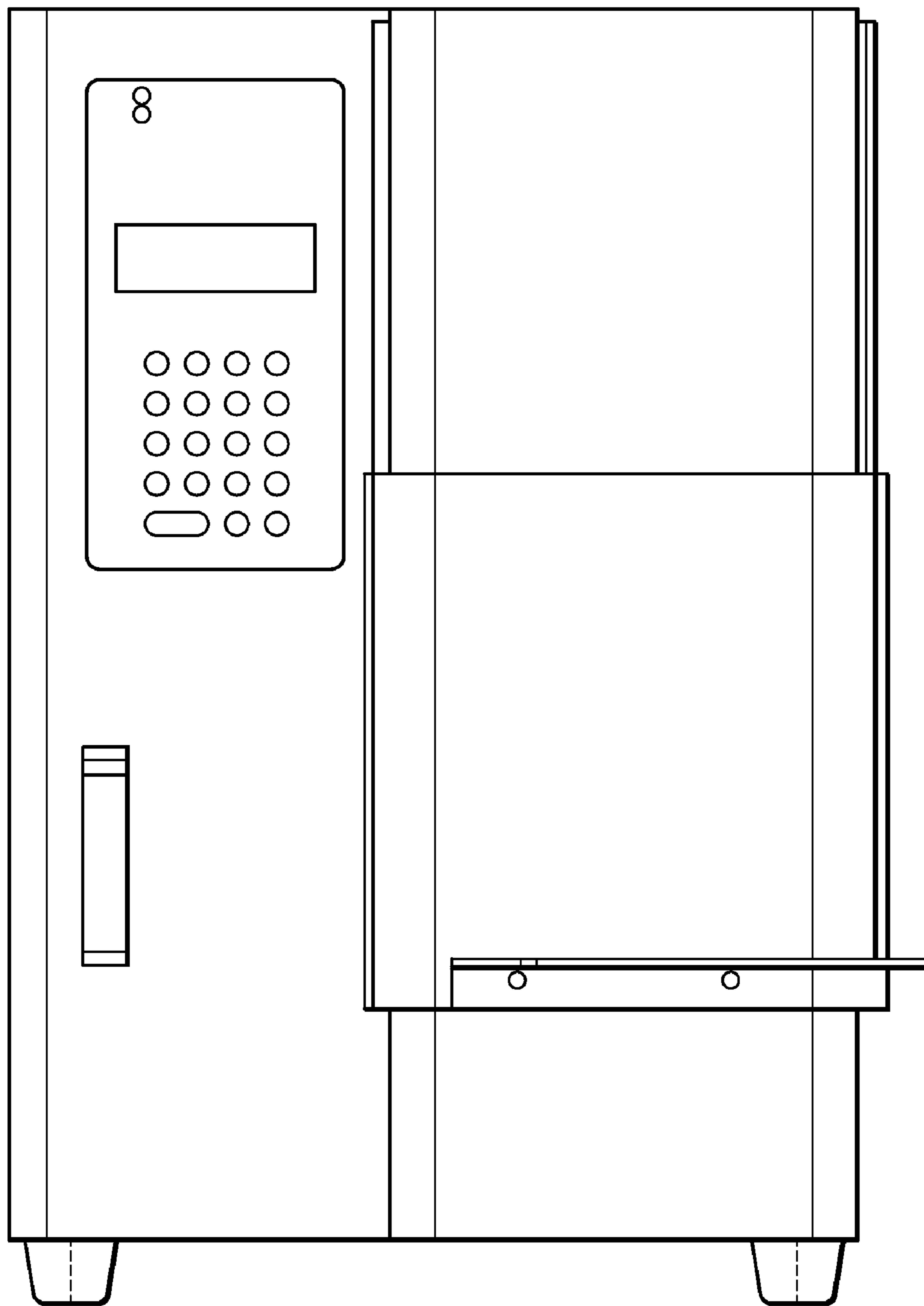
Any broken line illustration of environmental structure in the drawings is not part of the design sought to be patented. The broken lines are included for the purpose of illustrating unclaimed portions of the apparatus for processing proteins and form no part of the claimed design.

**1 Claim, 7 Drawing Sheets**

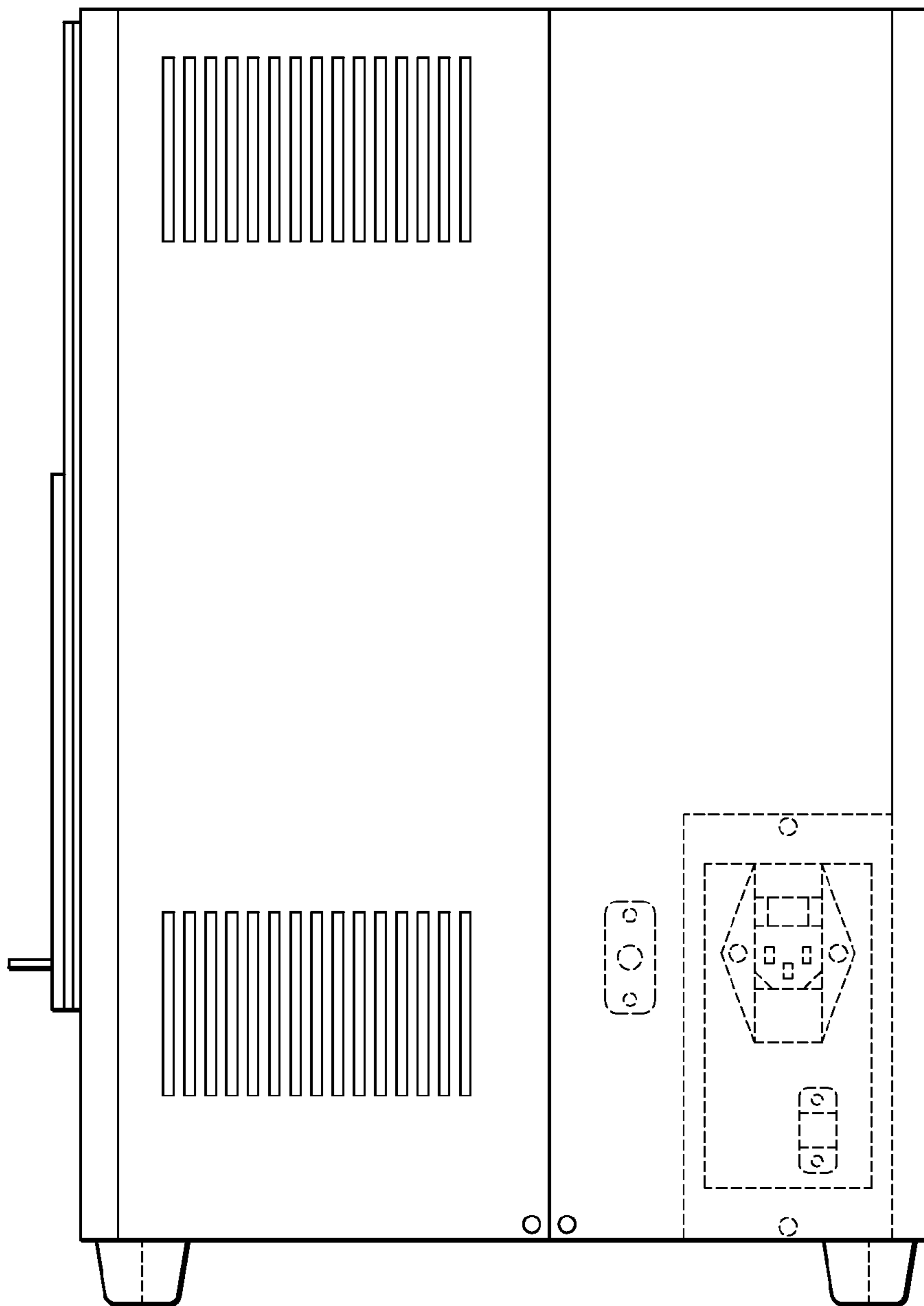




*Fig. 1*



*Fig. 2*



*Fig. 3*

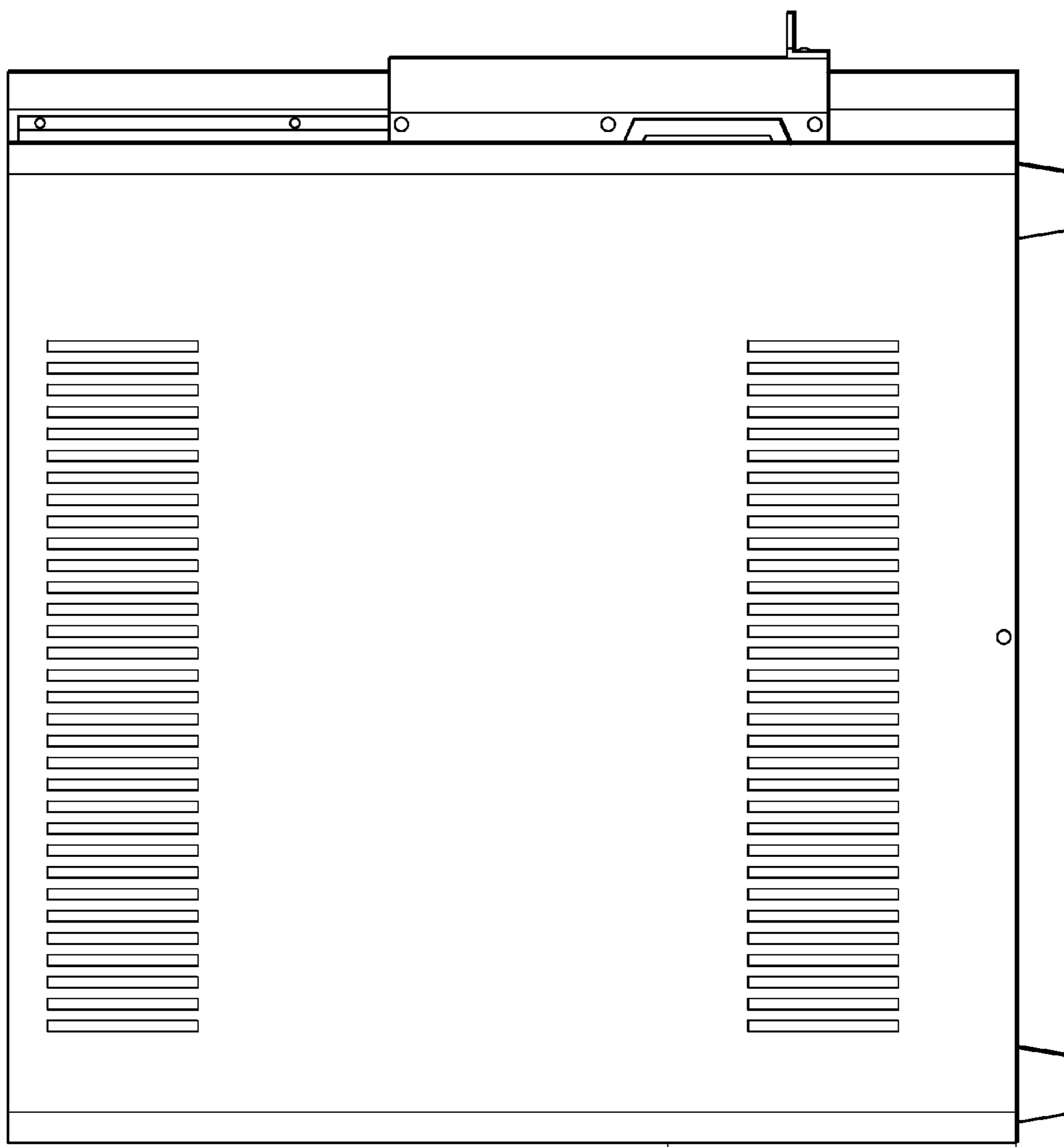


Fig. 4

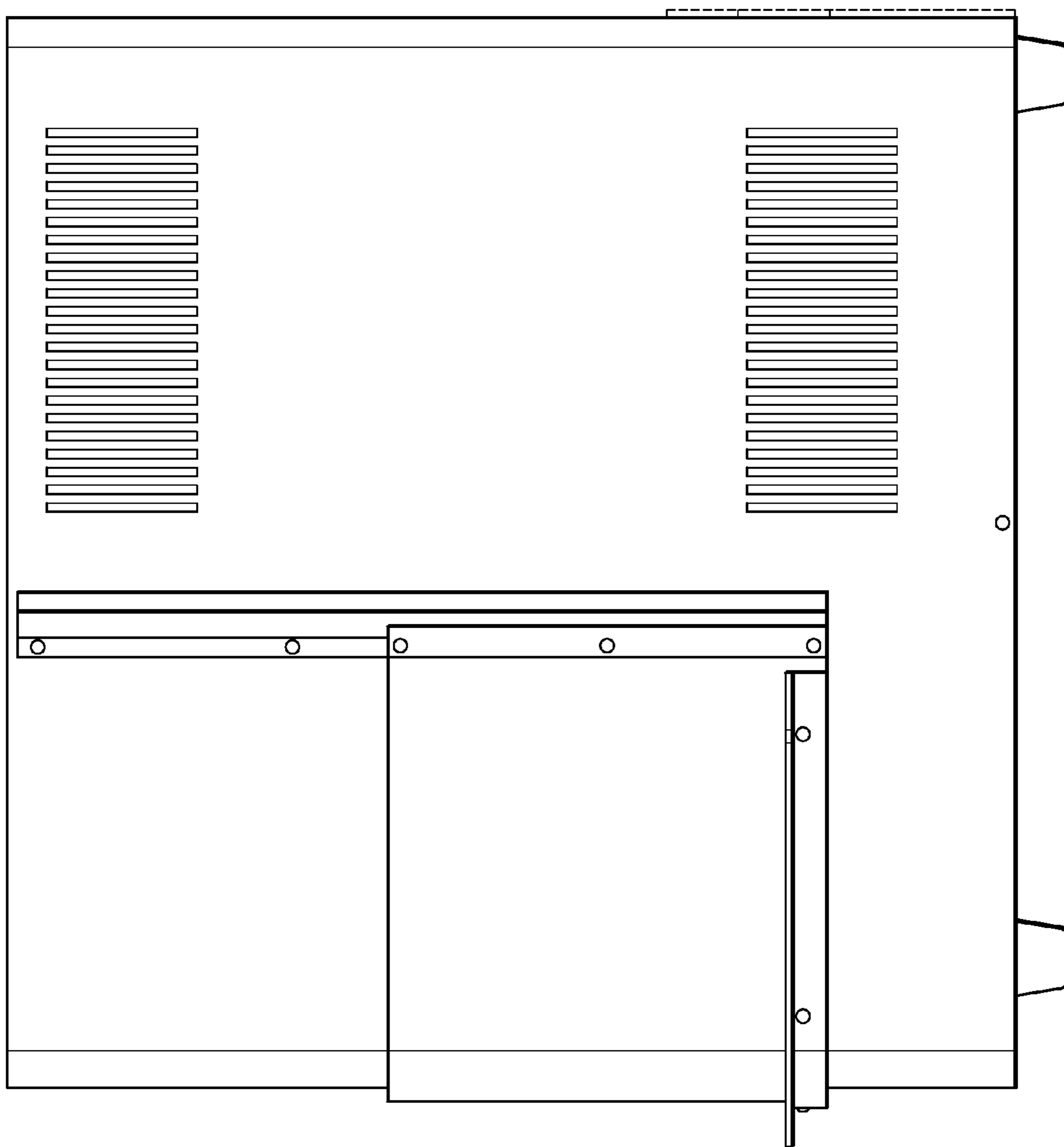
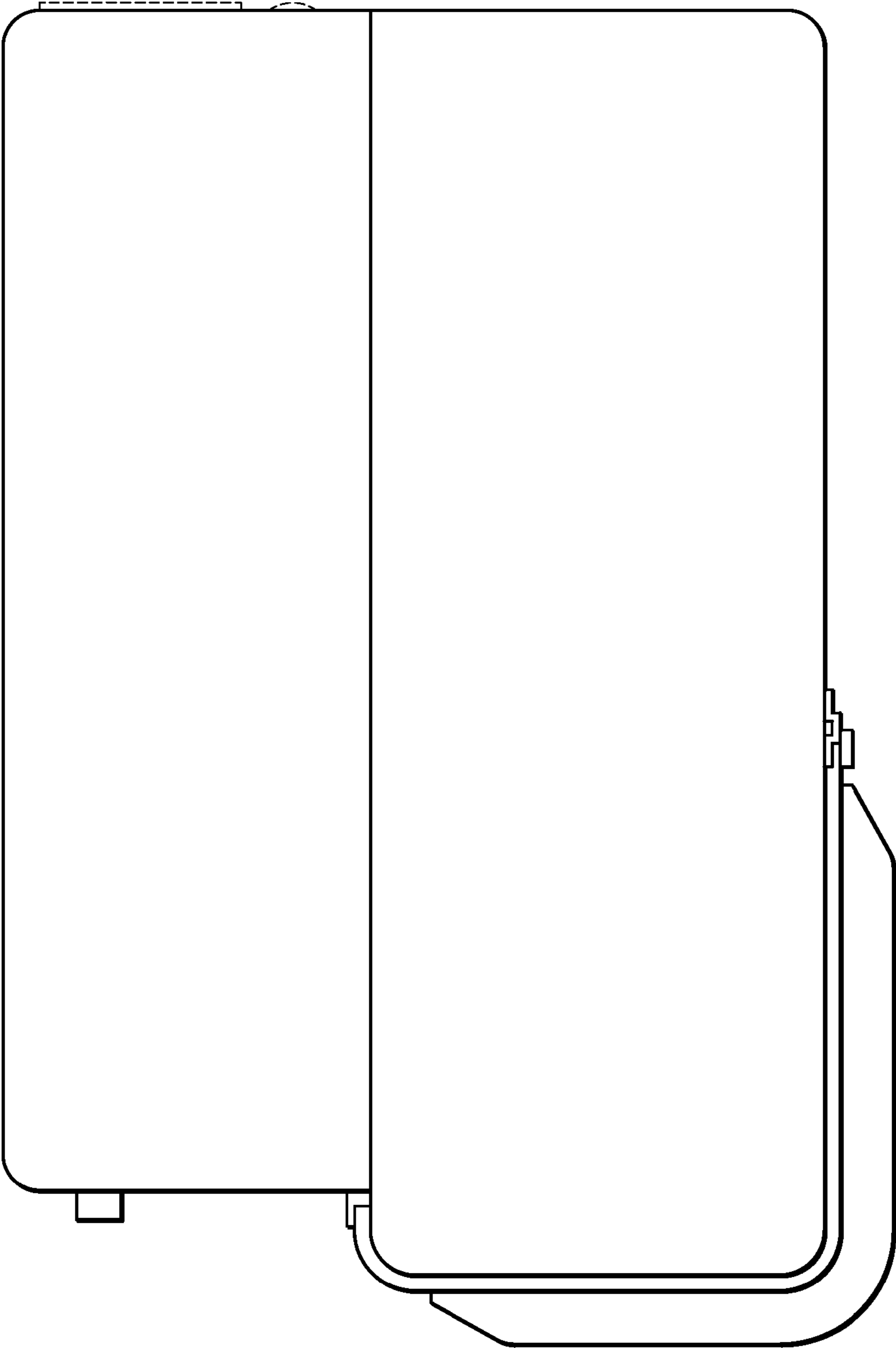
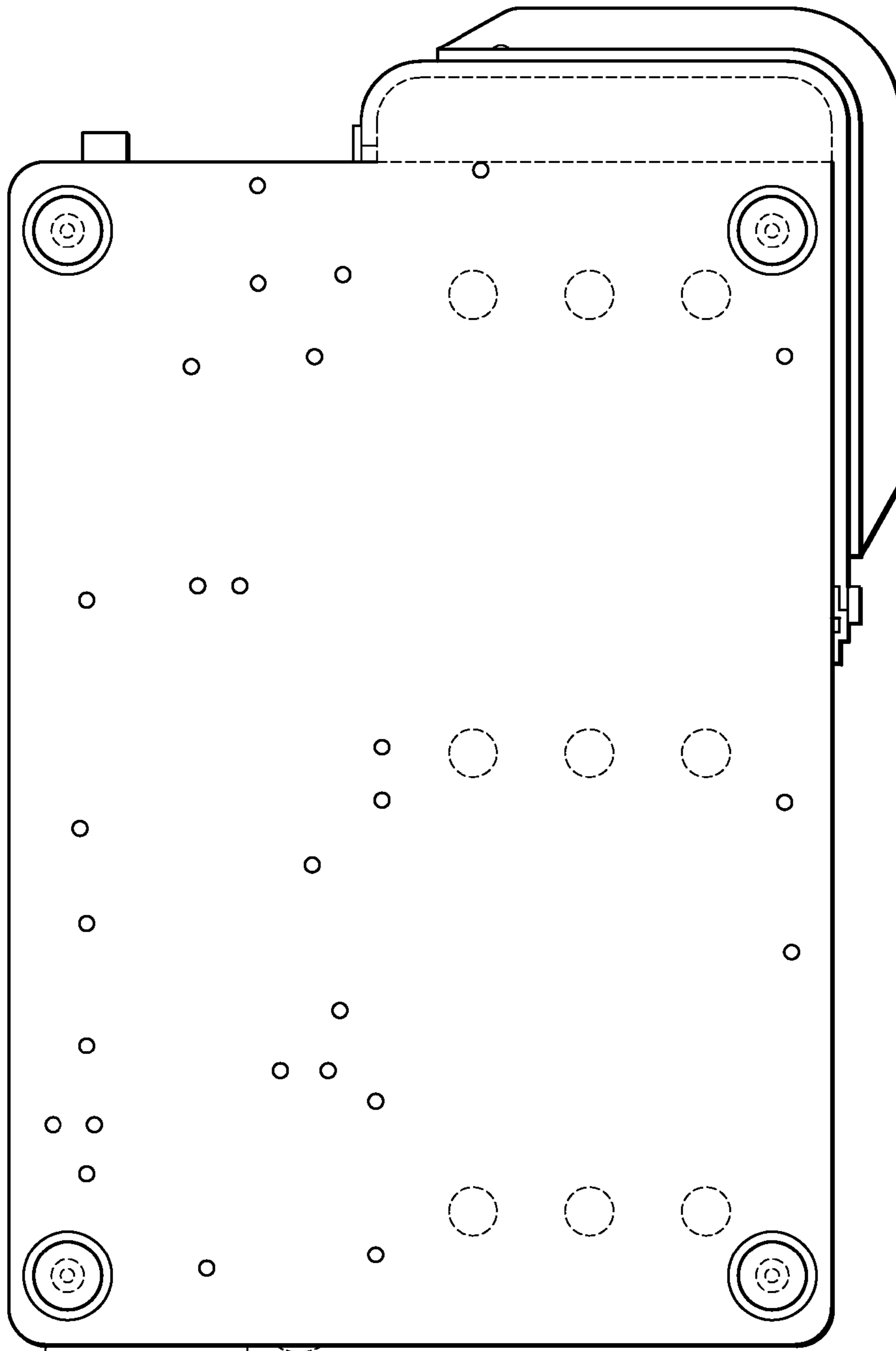


Fig. 5



*Fig. 6*



*Fig. 7*



UNITED STATES PATENT AND TRADEMARK OFFICE  
**CERTIFICATE OF CORRECTION**

PATENT NO. : D634,442 S  
APPLICATION NO. : 29/299804  
DATED : March 15, 2011  
INVENTOR(S) : Hideji Tajima et al.

Page 1 of 1

It is certified that error appears in the above-identified patent and that said Letters Patent is hereby corrected as shown below:

Title Page

Please add the following foreign priority

(30) Foreign Priority Application Data

Jul. 11, 2007 (JP) 2007-18884

Signed and Sealed this  
Twenty-seventh Day of September, 2011

A handwritten signature in black ink that reads "David J. Kappos". The signature is written in a cursive style with a large initial "D" and "K".

David J. Kappos  
*Director of the United States Patent and Trademark Office*