



US00D634441S

(12) **United States Design Patent**  
**Sattler et al.**

(10) **Patent No.:** **US D634,441 S**  
(45) **Date of Patent:** **\*\* Mar. 15, 2011**

(54) **REAGENT HOLDER TUBE**  
(75) Inventors: **Stephan Sattler**, Starnberg (DE);  
**Reinhold Kraemer**, Peissenberg (DE)  
(73) Assignee: **Roche Diagnostics Operations, Inc.**,  
Indianapolis, IN (US)  
(\*\*) Term: **14 Years**  
(21) Appl. No.: **29/356,134**  
(22) Filed: **Feb. 19, 2010**

5,604,101 A 2/1997 Hanley et al.  
D380,555 S \* 7/1997 Kurosaki et al. .... D24/224  
5,735,418 A 4/1998 Erb et al.  
D400,263 S 10/1998 Shugart  
D401,700 S \* 11/1998 Gray et al. .... D24/224  
5,862,934 A 1/1999 Sattler et al.  
6,372,293 B1 \* 4/2002 Mathus et al. .... 422/102  
6,511,634 B1 \* 1/2003 Bradshaw et al. .... 422/102  
6,827,904 B2 12/2004 Kitagawa  
7,018,587 B2 3/2006 Heath et al.  
7,731,903 B2 6/2010 Sattler et al.  
2002/0073647 A1 6/2002 Heath et al.  
2003/0044323 A1 3/2003 Diamond et al.  
2005/0142040 A1 6/2005 Hanawa et al.  
2010/0080732 A1 4/2010 Mototsu et al.

(30) **Foreign Application Priority Data**  
Feb. 19, 2009 (EP) ..... 001159404  
Aug. 19, 2009 (EM) ..... 001 159 404-0029  
Aug. 19, 2009 (EM) ..... 001 159 404-0030  
(51) **LOC (9) Cl.** ..... **24-01**  
(52) **U.S. Cl.** ..... **D24/224**  
(58) **Field of Classification Search** ..... D24/216,  
D24/222-226, 231, 232; D10/81; D3/203.1-203.8;  
422/99, 102; D9/503, 504, 505, 520, 529,  
D9/549; 435/288.1, 288.3, 288.4, 304.1,  
435/305.1, 305.3, 305.4; D7/509  
See application file for complete search history.

**OTHER PUBLICATIONS**

US Notice of Allowance dated Oct. 19, 2010 pertaining to U.S. Appl. No. 29/356,128.  
US Office Action dated Oct. 20, 2010 pertaining to U.S. Appl. No. 29/356,132.

\* cited by examiner

*Primary Examiner* — T. Chase Nelson  
*Assistant Examiner* — Anhdao Doan  
(74) *Attorney, Agent, or Firm* — Dinsmore & Shohl LLP

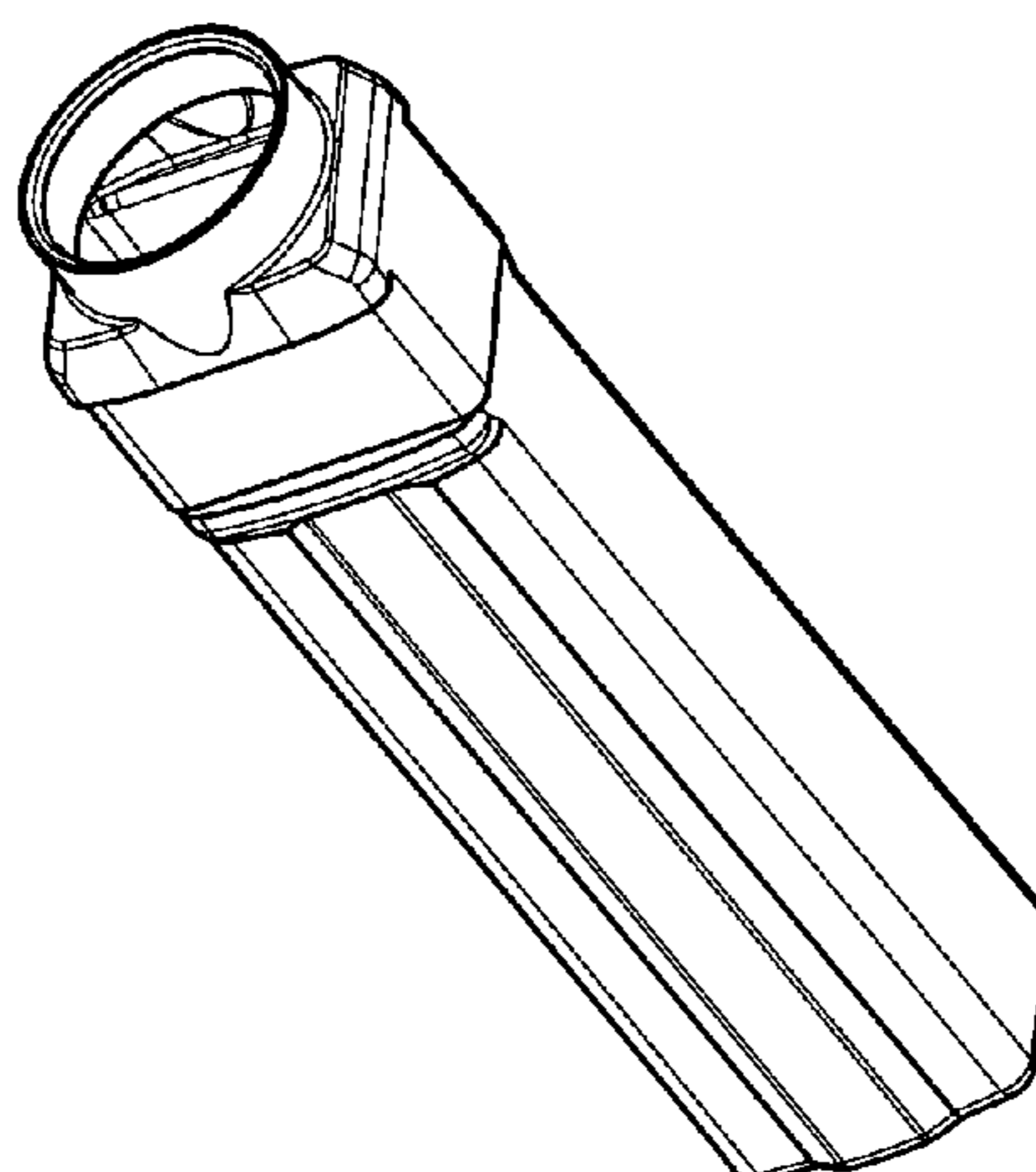
(57) **CLAIM**  
The ornamental design for a reagent holder tube, as shown and described.

(56) **References Cited**  
**U.S. PATENT DOCUMENTS**  
4,487,324 A 12/1984 Ostrowsky  
4,713,219 A 12/1987 Gerken et al.  
4,849,177 A 7/1989 Jordan  
4,956,103 A 9/1990 Jessop et al.  
5,145,646 A 9/1992 Tyranski  
D342,140 S 12/1993 Sakagami et al.  
D342,793 S \* 12/1993 Balmer ..... D24/224  
D344,138 S \* 2/1994 Nagata ..... D24/224  
5,305,900 A 4/1994 Maguire et al.  
D355,260 S 2/1995 Tomasso  
5,571,479 A \* 11/1996 Koch ..... 422/102

**DESCRIPTION**

FIG. 1 is a front, top perspective view of a reagent holder tube; FIG. 2 is a front, upper perspective view thereof; FIG. 3 is a bottom view thereof; FIG. 4 is a right side view thereof; FIG. 5 is a front view thereof; FIG. 6 is a left side view thereof; FIG. 7 is a back view thereof; and, FIG. 8 is a top view thereof.

**1 Claim, 2 Drawing Sheets**



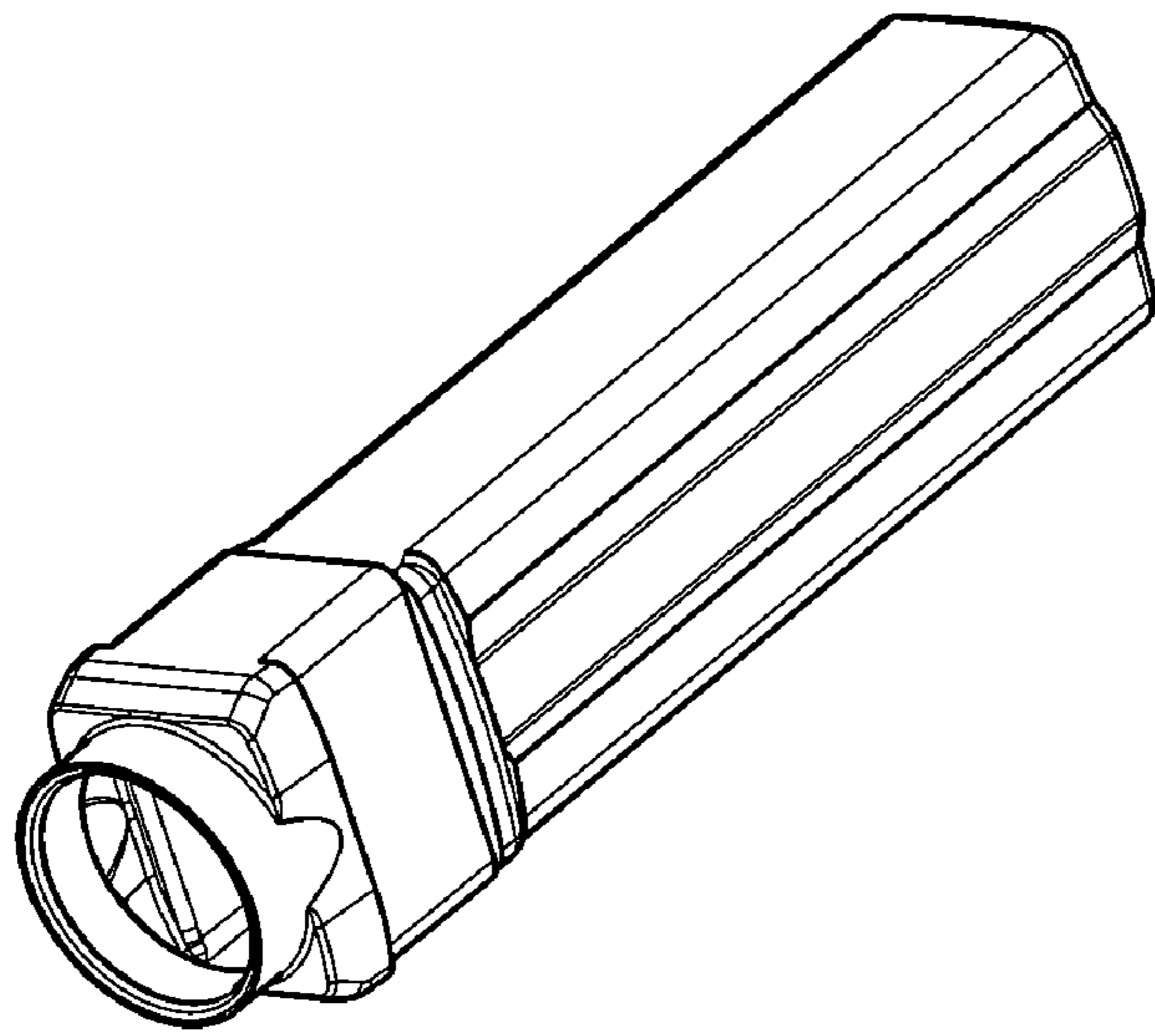


FIG. 2

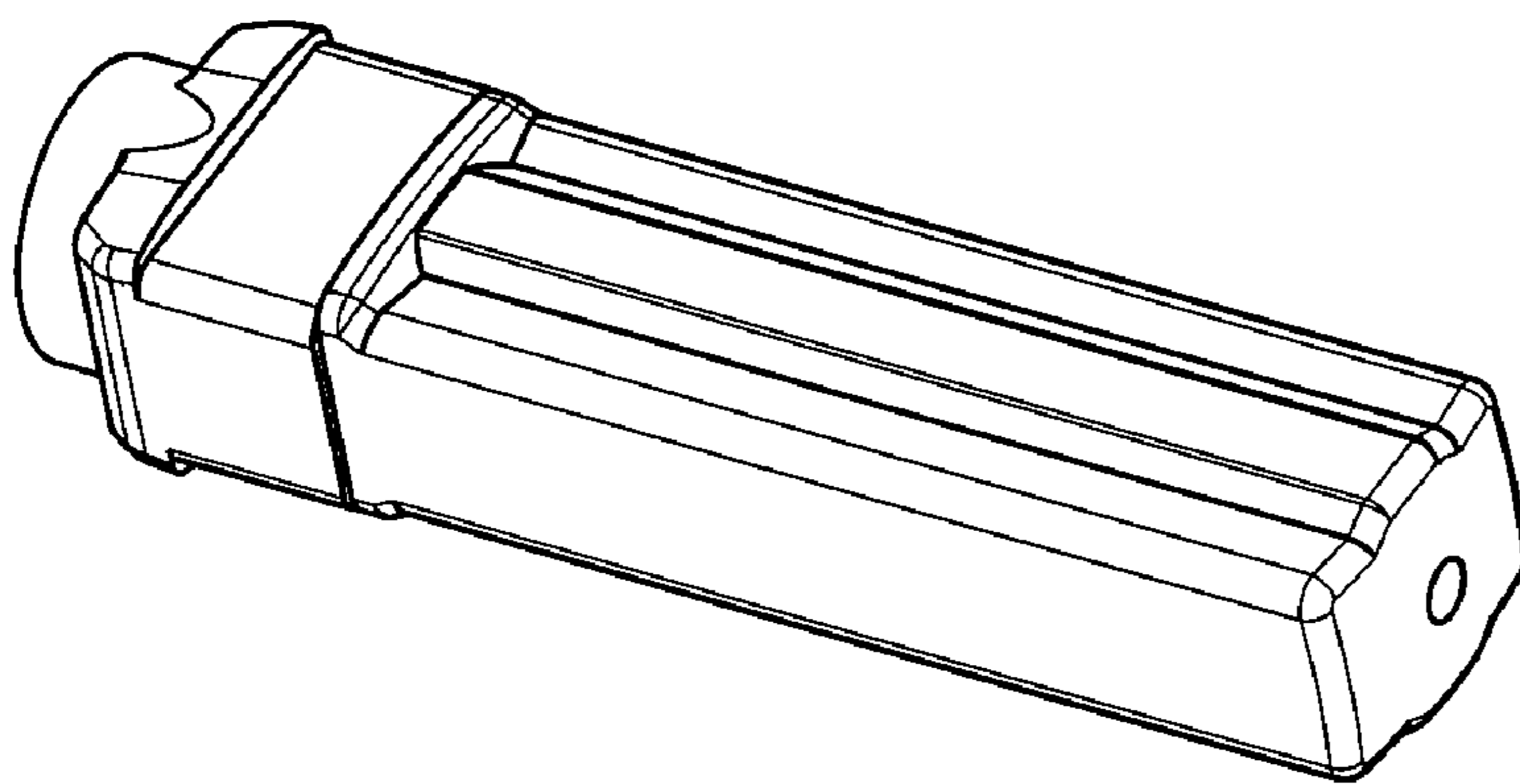


FIG. 1

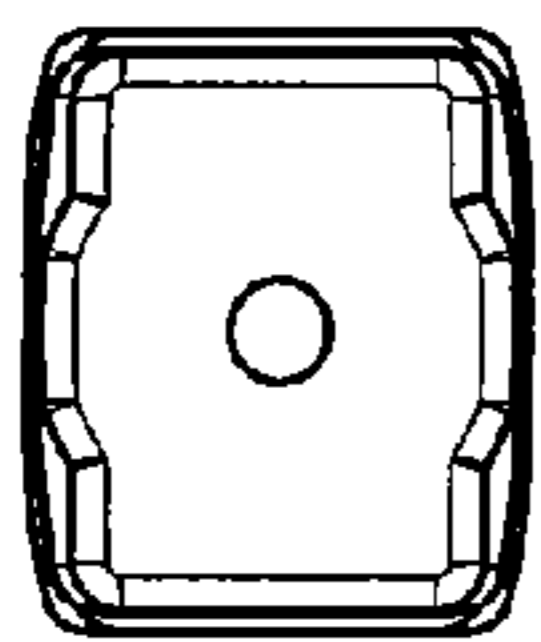


FIG. 3

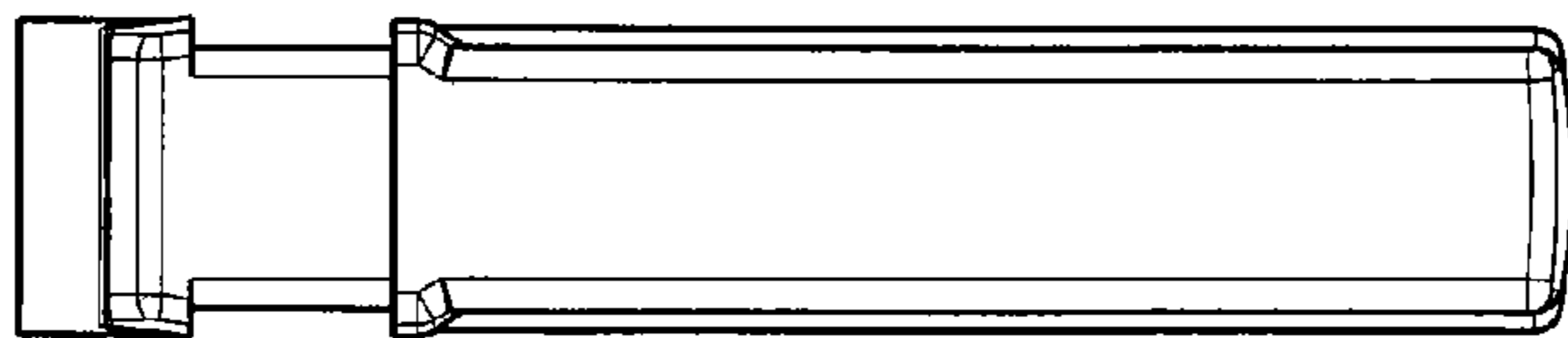


FIG. 4

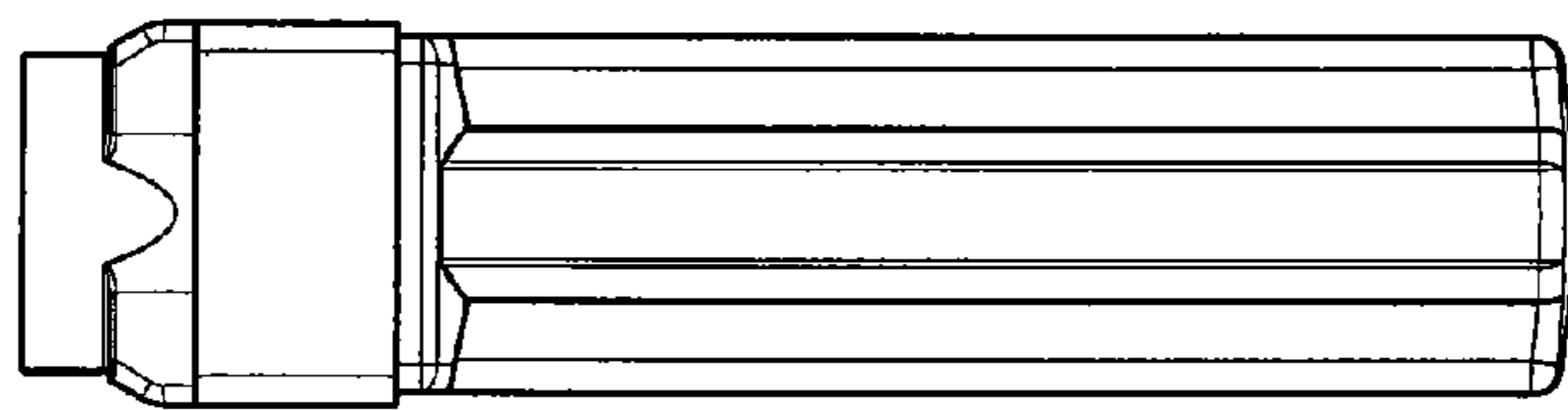


FIG. 5

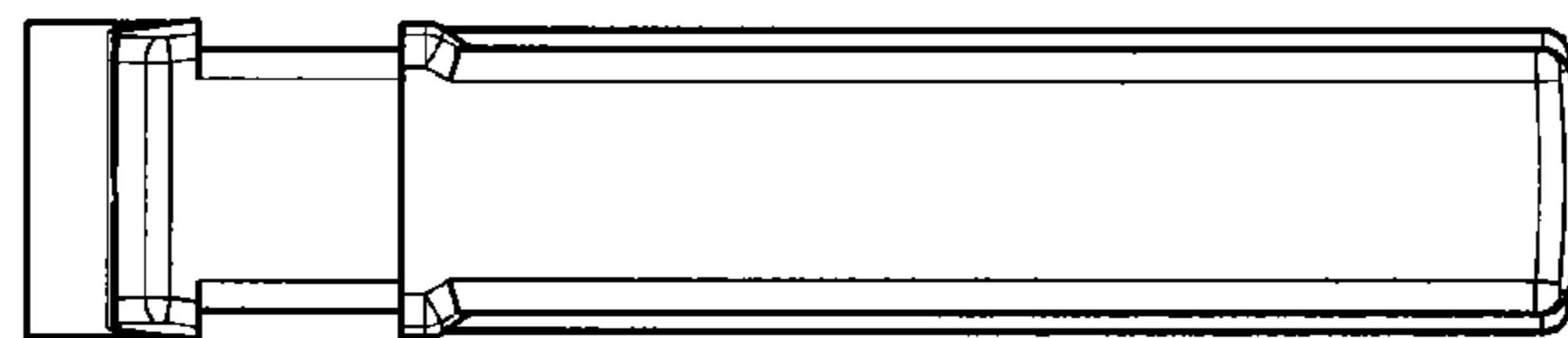


FIG. 6

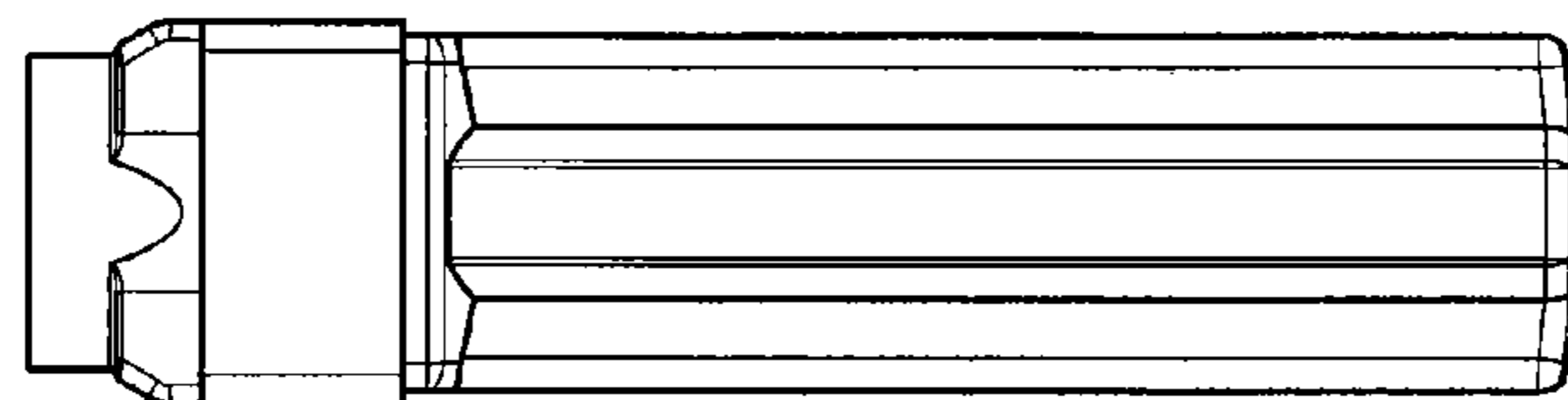


FIG. 7

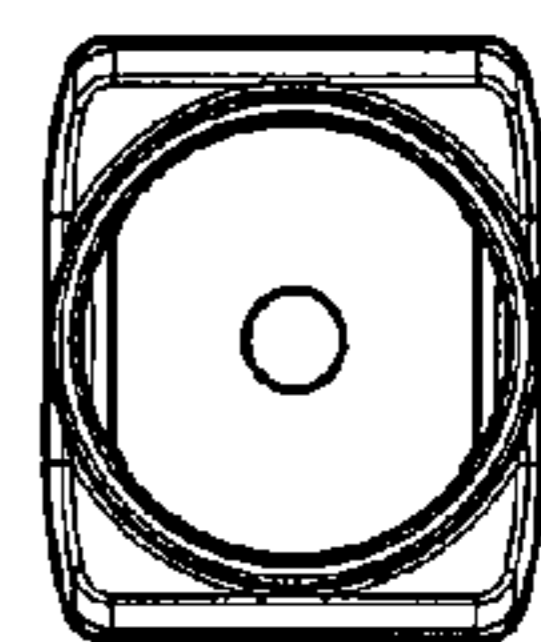


FIG. 8