



US00D634436S

(12) **United States Design Patent**
Potts et al.

(10) **Patent No.:** **US D634,436 S**
(45) **Date of Patent:** **** Mar. 15, 2011**

(54) **NEUROSTIMULATOR ASSEMBLY**
(75) Inventors: **Dennis Potts**, Scotts Valley, CA (US);
Dunagan Pearson, Mountain View, CA
(US); **Joseph Vandenburg**, Sunnyvale,
CA (US); **C. Lance Boling**, San Jose,
CA (US); **Paul Paspas**, Los Gatos, CA
(US)
(73) Assignee: **NeuroPace, Inc.**, Mountain View, CA
(US)

D478,990 S 8/2003 Kroll
D523,144 S 6/2006 Wenger et al.
D559,987 S 1/2008 Strother et al.
D598,552 S 8/2009 Potts et al.
D598,553 S 8/2009 Potts et al.
D599,910 S 9/2009 Potts et al.
D606,204 S 12/2009 Potts et al.
D610,261 S 2/2010 Strother et al.
D613,868 S 4/2010 Lhuillery et al.
7,774,066 B2 * 8/2010 Deininger et al. 607/36
7,813,797 B2 * 10/2010 Bardy et al. 607/5
7,813,809 B2 * 10/2010 Strother et al. 128/899
2008/0208267 A1 * 8/2008 Alexander et al. 607/2

(**) Term: **14 Years**
(21) Appl. No.: **29/368,682**
(22) Filed: **Aug. 26, 2010**

Related U.S. Application Data

(62) Division of application No. 29/313,006, filed on Nov.
26, 2008, now Pat. No. Des. 625,016.
(51) **LOC (9) Cl.** **24-01**
(52) **U.S. Cl.** **D24/187; D24/155**
(58) **Field of Classification Search** D24/155,
D24/156, 167, 187, 200, 231; 606/70-71,
606/166, 246-249, 258, 267, 280, 286, 283,
606/299, 396, 903, 905-906; 607/2, 5, 36;
623/17.11, 16.71
See application file for complete search history.

References Cited

U.S. PATENT DOCUMENTS

D261,552 S 10/1981 Borada
D316,145 S 4/1991 Ware
D318,539 S 7/1991 Challard
5,107,836 A 4/1992 Fenster
5,144,946 A 9/1992 Weinberg et al.
D337,820 S 7/1993 Hooper et al.
D338,731 S 8/1993 Byland et al.
D343,901 S 2/1994 Anderson

OTHER PUBLICATIONS

Carlson, K. (Aug. 25, 2008). "Better Control of Epilepsy is Under the
Scalp," located at <<http://www.modbee.com/local/v-print/story405487.html>>, last visited on Aug. 25, 2008, five pages.

(Continued)

Primary Examiner — T. Chase Nelson
Assistant Examiner — Mark Cavanna

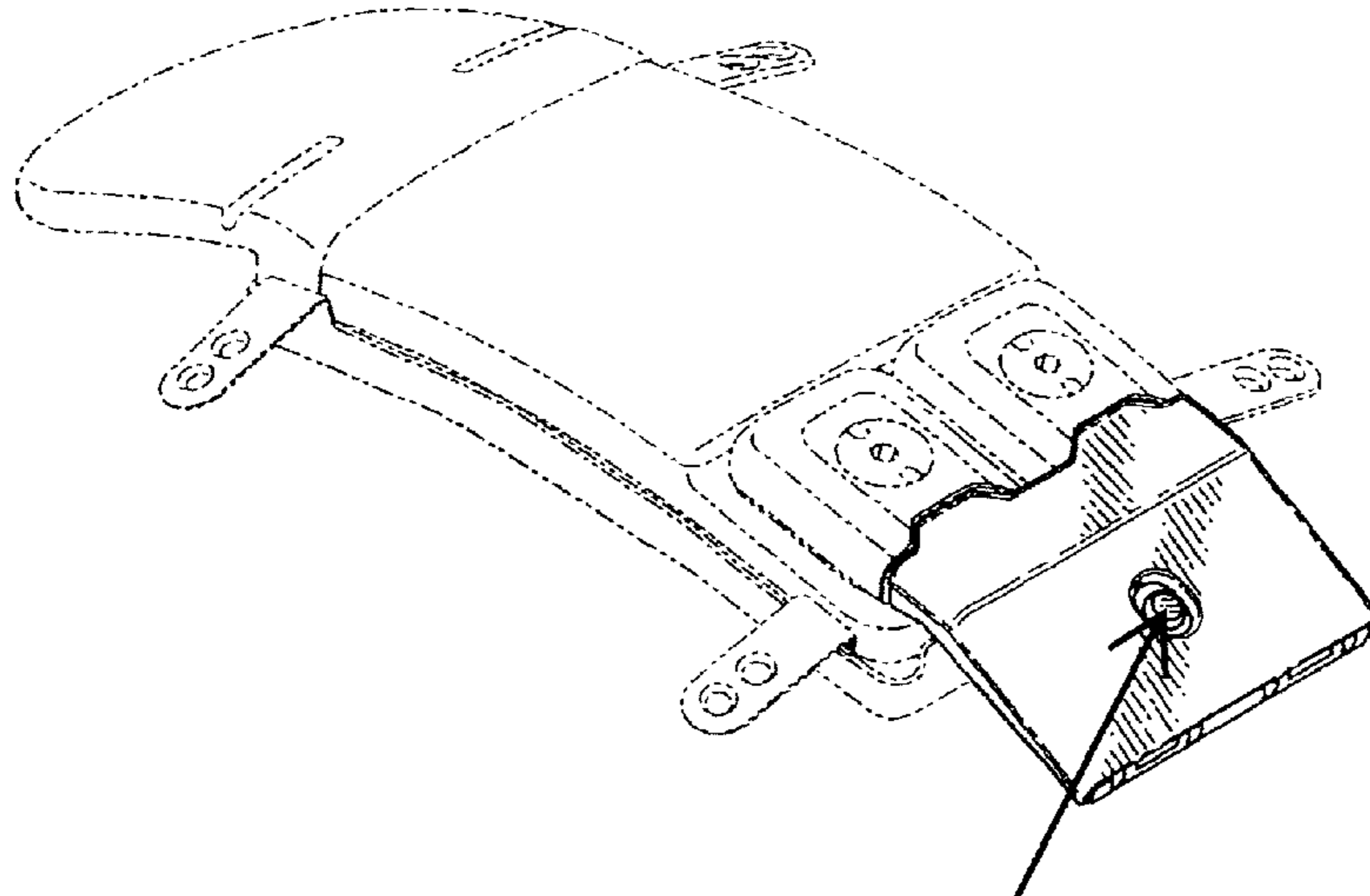
(57) **CLAIM**

The ornamental design for a neurostimulator assembly, as
shown and described.

DESCRIPTION

FIG. 1 is a perspective view of a neurostimulator assembly
showing our new design;
FIG. 2 is a top plan view thereof.
FIG. 3 is a bottom plan view thereof.
FIG. 4 is a right side elevational view thereof.
FIG. 5 is a left side elevational view thereof; and,
FIG. 6 is a rear elevational view thereof.
With reference to FIGS. 1-6, the broken lines which define the
bounds of the claimed design form no part thereof.

1 Claim, 5 Drawing Sheets



Reduce screw (a) to broken line.

OTHER PUBLICATIONS

Furey, C. (Mar. 2008). "Alternative Treatment for Patients with Epilepsy Offered in Clinical Trial at Shands at UF," Physician's Practice, two pages. Neuropace (2008). "Responsive Neurostimulation for the Treatment of Epilepsy," "Company Overview" and "Product Overview" located at <http://www.neuropace.com/about/overview.html>, two pages.

Neuropace. (2008). "Responsive Neurostimulation for the Treatment of Epilepsy," "Clinical Trials" located at <http://www.neuropace.com/product/overview.html>, five pages.

Stacey, W.C. et al. (2008, e-published Feb. 28, 2008). "Technology Insight: Neuroengineering and Epilepsy—Designing Devices for Seizure Control," Nature Clinical Practice Neurology, pp. 1-12.

* cited by examiner

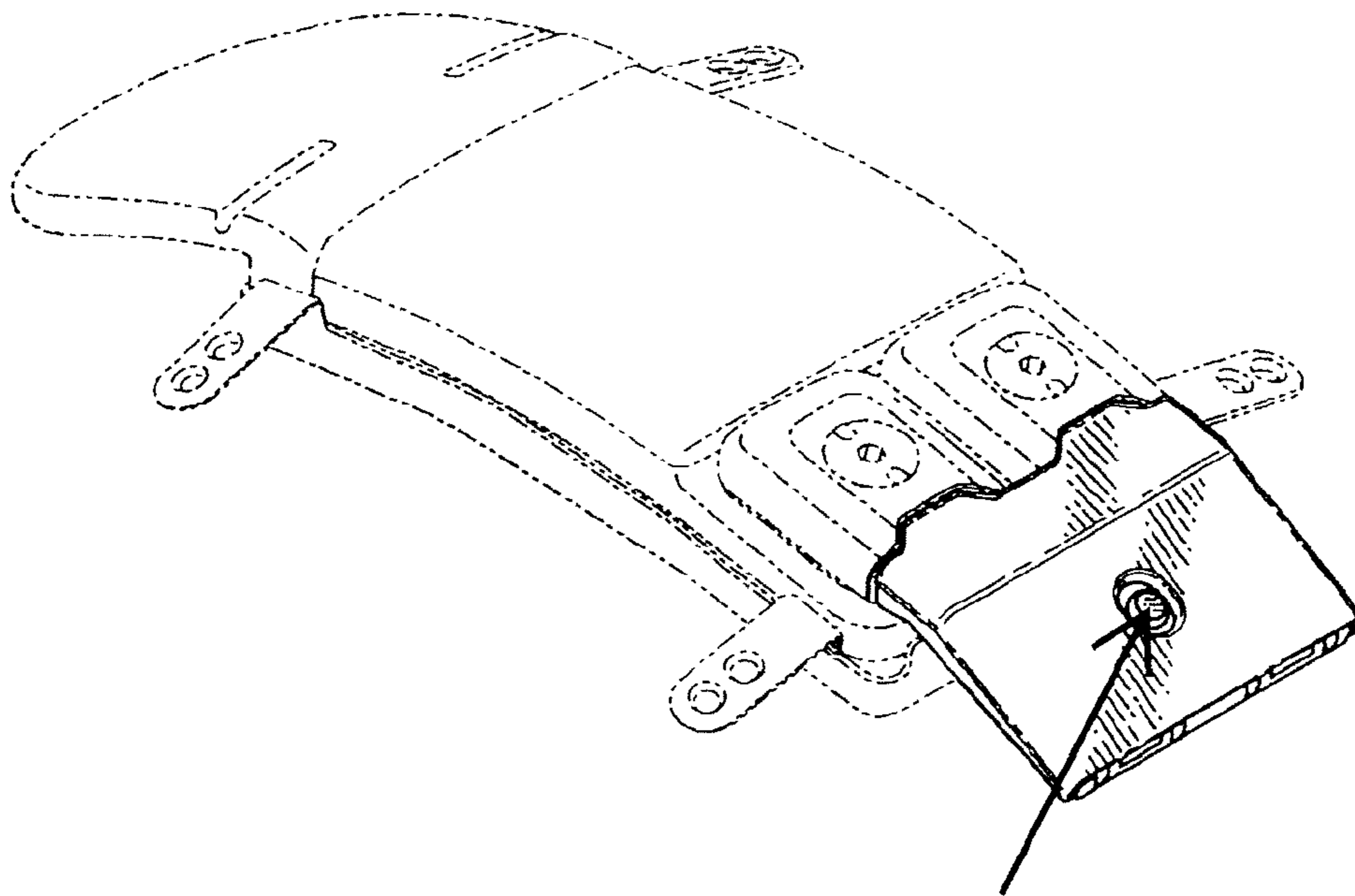


FIG. 1

Reduce screw (a) to broken line.

Reduce screw (a) to broken line.

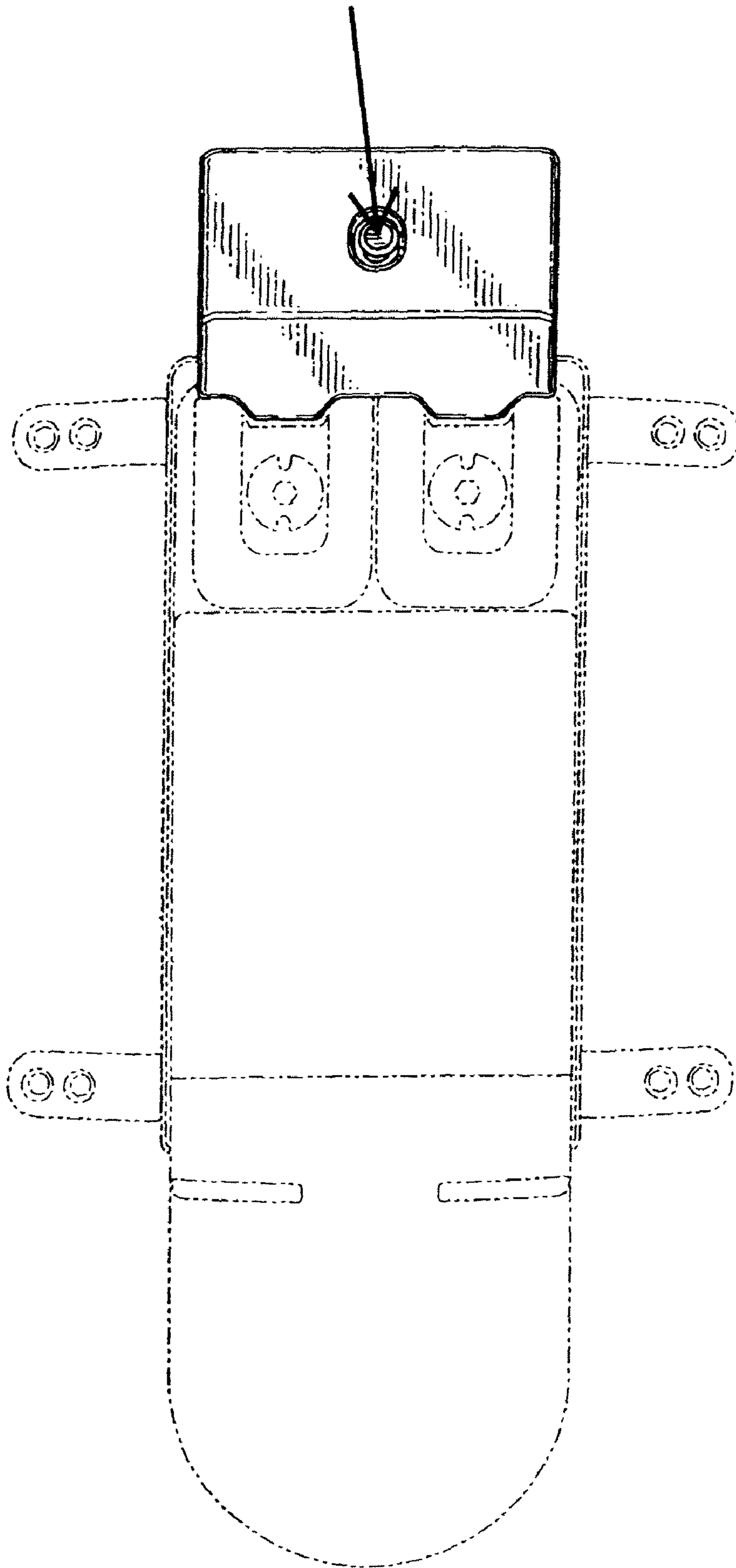


FIG. 2

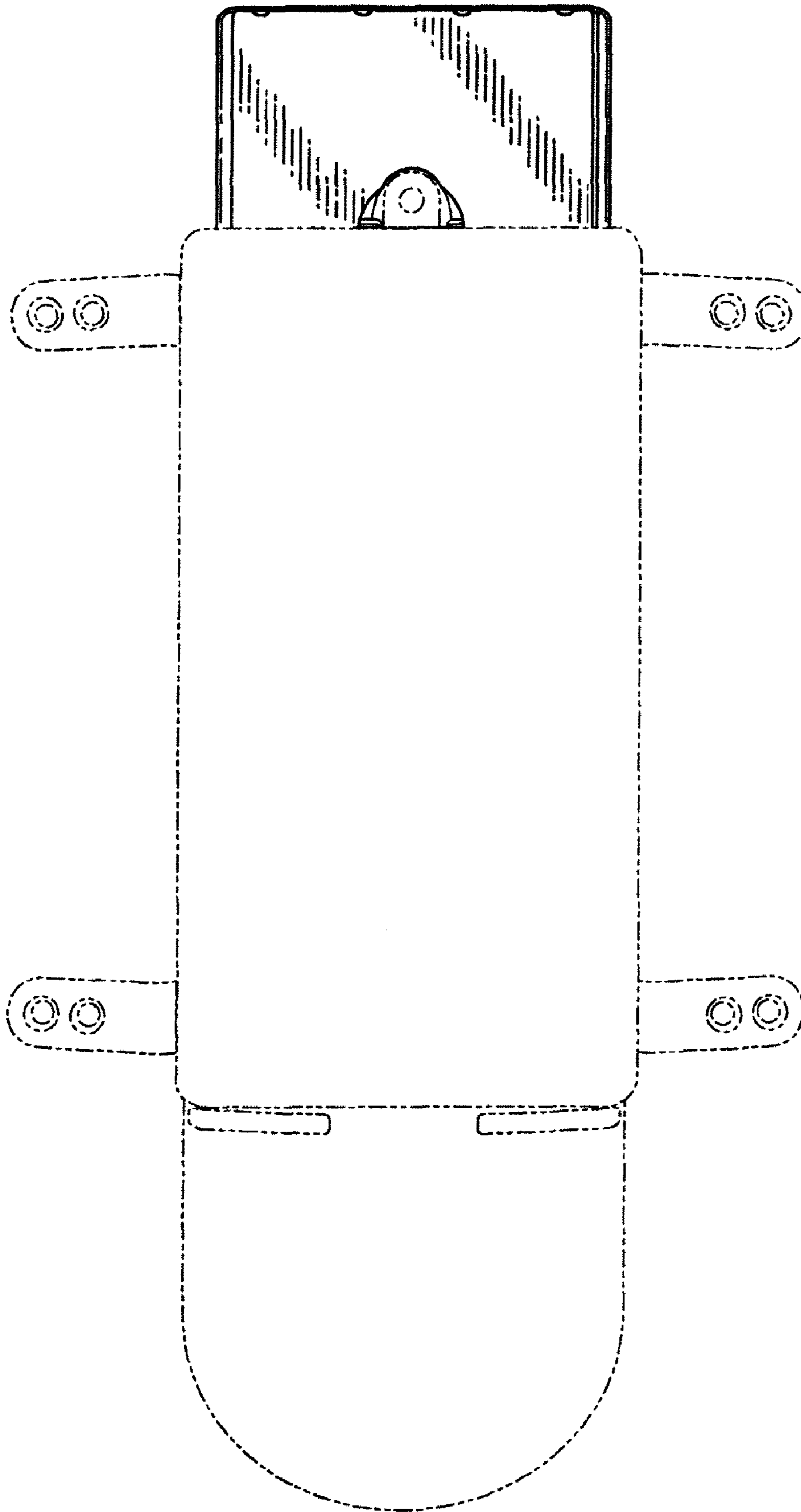


FIG. 3

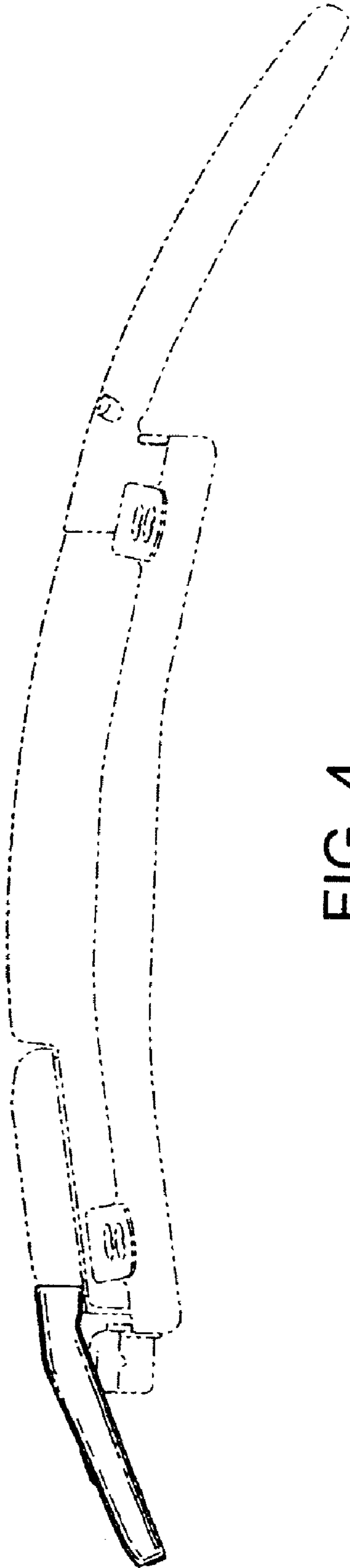


FIG. 4

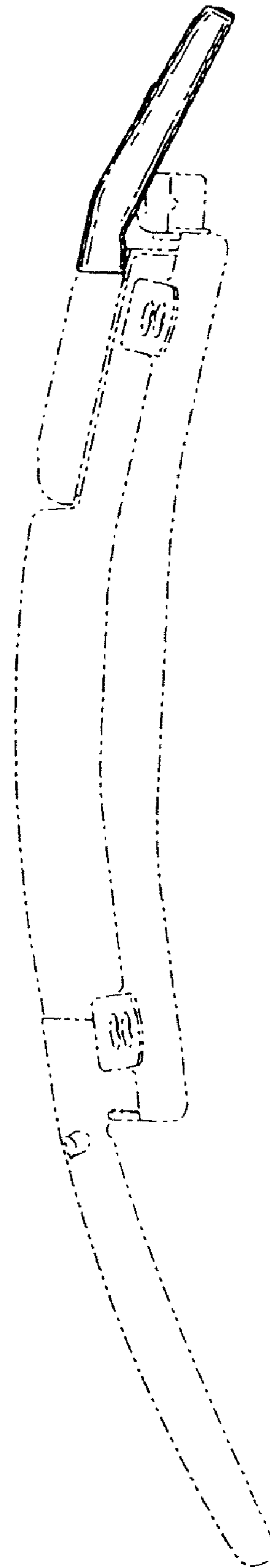


FIG. 5

Reduce screw (a) to broken line.

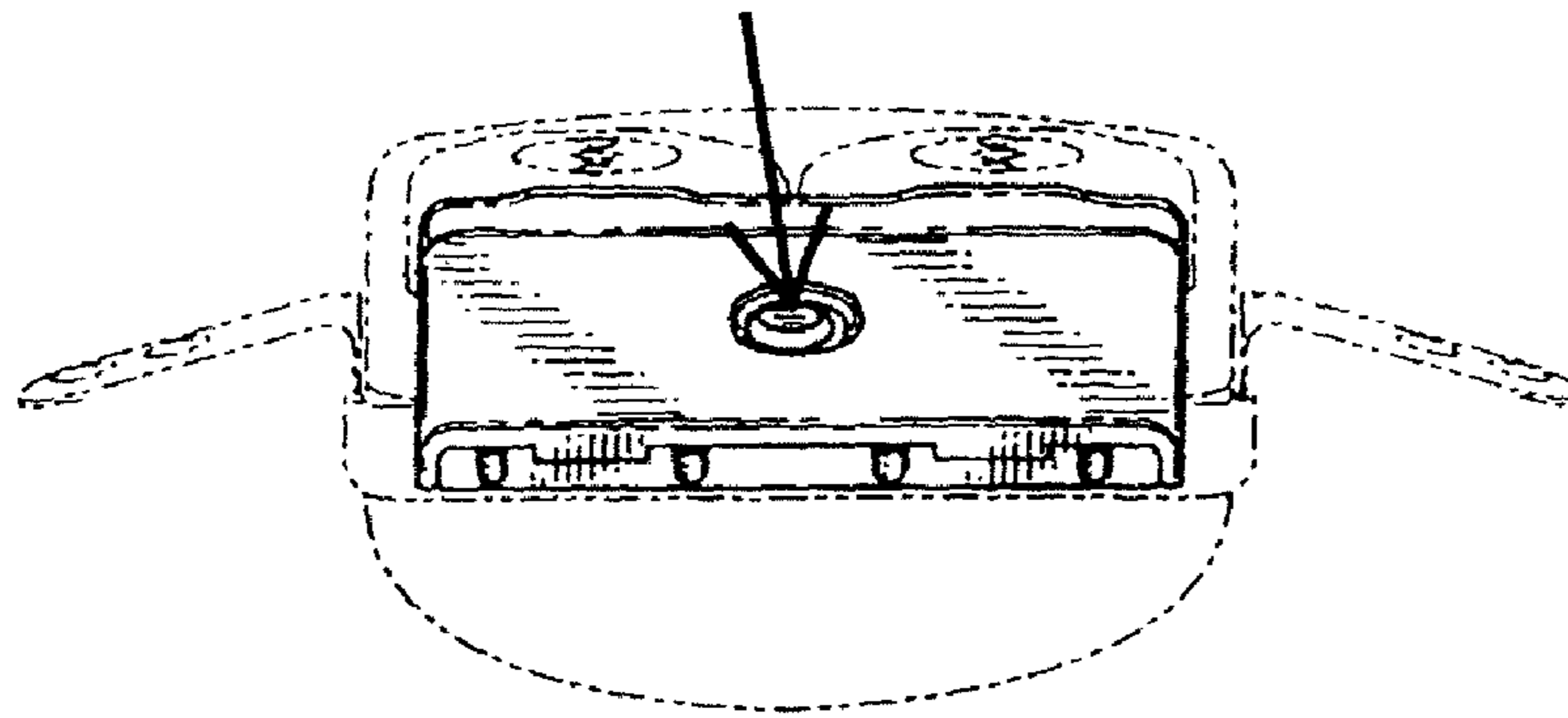


FIG. 6