



US00D634435S

(12) **United States Design Patent**  
**Chua et al.**

(10) **Patent No.:** **US D634,435 S**  
(45) **Date of Patent:** **\*\* Mar. 15, 2011**

(54) **SKIN ANALYZING DEVICE**  
(75) Inventors: **Cony Nan-Sing Chua**, Edison, NJ (US);  
**Sandy Lam**, Singapore (SG); **Kukizo**  
**Miyamoto**, Ashiya (JP); **Takashi Yoshii**,  
Yasu (JP)  
(73) Assignee: **The Procter & Gamble Company**,  
Cincinnati, OH (US)  
(\*\*) Term: **14 Years**

D550,364 S 9/2007 Glover et al.  
D553,248 S \* 10/2007 Nguyen ..... D24/186  
D554,266 S \* 10/2007 Striepe et al. .... D24/186  
D557,422 S 12/2007 Arbogast et al.  
D567,687 S \* 4/2008 Elrod ..... D10/79  
D569,001 S 5/2008 Omaki  
D569,521 S 5/2008 Omaki  
D583,950 S 12/2008 Itonaga et al.  
D590,509 S 4/2009 Costa  
D597,211 S \* 7/2009 Ewing et al. .... D24/200  
D597,216 S 7/2009 McGuigan et al.  
D598,109 S 8/2009 Collins et al.  
D598,113 S 8/2009 Flaction et al.

(21) Appl. No.: **29/365,326**  
(22) Filed: **Jul. 8, 2010**

**Related U.S. Application Data**

(62) Division of application No. 29/315,174, filed on Jun. 2,  
2009, now Pat. No. Des. 621,515.  
(51) **LOC (9) Cl.** ..... **23-01**  
(52) **U.S. Cl.** ..... **D24/186**  
(58) **Field of Classification Search** ..... D24/107,  
D24/158, 164, 165, 167, 186-187, 231, 169,  
D24/200; 300/300, 301, 368, 372, 481, 529,  
300/544, 554, 561; 422/1, 61, 68.1, 99-104,  
422/129; D10/46, 75, 81, 78-79; D13/168;  
D14/496; 436/518

See application file for complete search history.

(56) **References Cited**

**U.S. PATENT DOCUMENTS**

D390,666 S 2/1998 Lagerlof  
D396,657 S \* 8/1998 Nagai et al. .... D10/79  
D414,870 S 10/1999 Saltzstein et al.  
D502,655 S 3/2005 Huang  
D514,005 S \* 1/2006 Gregorec et al. .... D10/79  
D525,710 S \* 7/2006 Kobayashi et al. .... D24/165  
D535,031 S 1/2007 Barrett et al.  
D537,164 S 2/2007 Shigemori et al.  
D547,454 S 7/2007 Hsieh  
D548,745 S \* 8/2007 Andre et al. .... D14/496  
D549,830 S 8/2007 Behar et al.

(Continued)

**OTHER PUBLICATIONS**

U.S. Appl. No. 29/315,174, filed Jun. 2, 2006, Cony Nan-Sing Chua.

(Continued)

*Primary Examiner* — T. Chase Nelson

*Assistant Examiner* — Mark Cavanna

(74) *Attorney, Agent, or Firm* — Eric T. Addington; James  
Vago

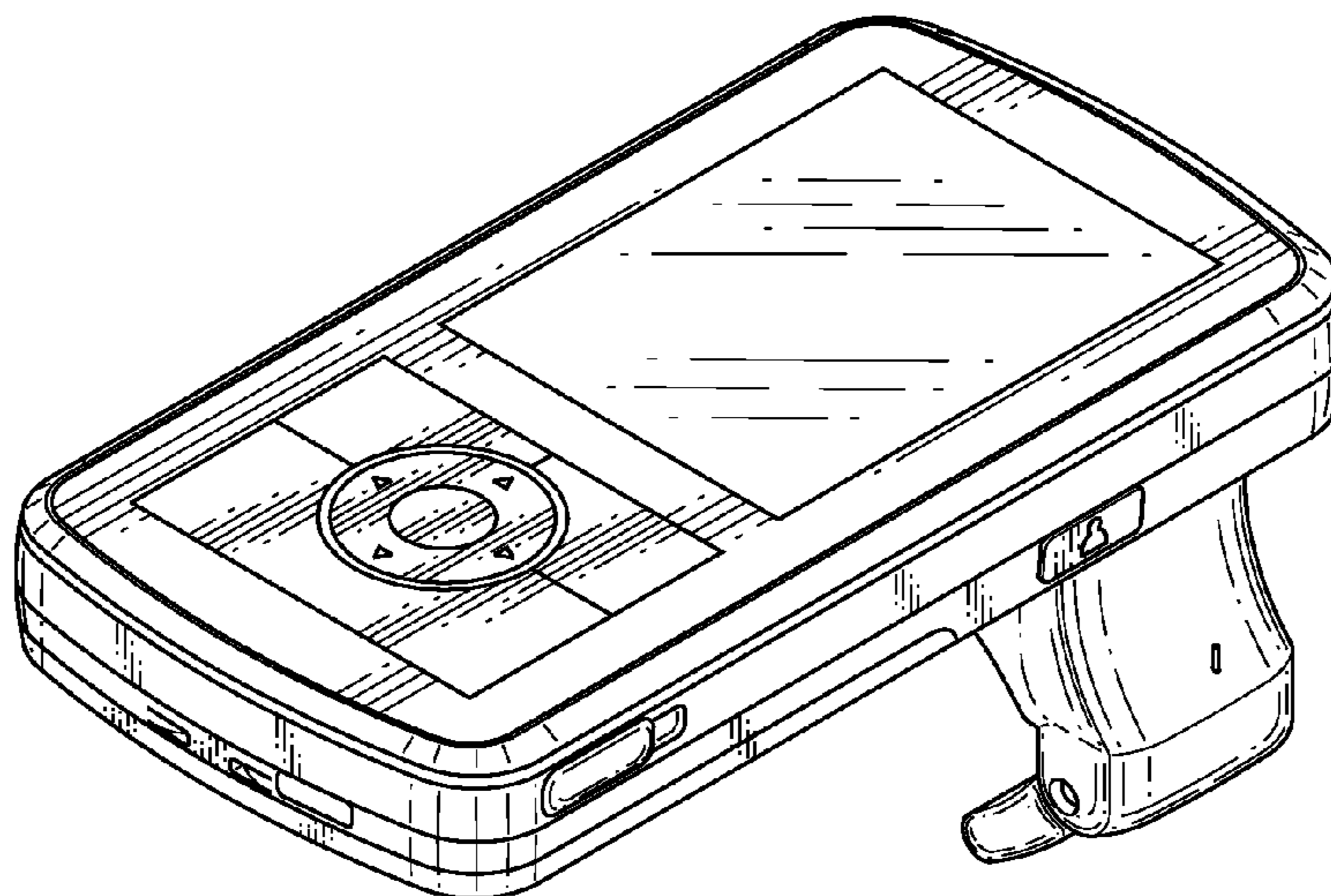
(57) **CLAIM**

The ornamental design for skin analyzing device, as shown  
and described.

**DESCRIPTION**

FIG. 1 is a perspective view of skin analyzing device,  
embodying our new design;  
FIG. 2 is a front view thereof;  
FIG. 3 is a back view thereof;  
FIG. 4 is a left side view thereof;  
FIG. 5 is a right side view thereof;  
FIG. 6 is a top plan view thereof; and,  
FIG. 7 is a bottom view thereof.  
The broken lines shown are included for the purpose of illus-  
trating portions of the skin analyzing device that form no part  
of the claimed design.

**1 Claim, 2 Drawing Sheets**



# US D634,435 S

Page 2

---

## U.S. PATENT DOCUMENTS

D601,257 S 9/2009 Berlinger et al.  
D606,659 S 12/2009 Kiani et al.  
D609,197 S 2/2010 Koskela et al.  
D611,151 S 3/2010 Lei  
D611,991 S 3/2010 Slowey et al.  
D612,274 S 3/2010 Heidemann et al.  
2005/0260769 A1\* 11/2005 Jonsson et al. .... 436/518

## OTHER PUBLICATIONS

Office Action rejections/objections from co-pending application  
Case No. AD258F, U.S. Appl. No. 29/315,174, filed Jun. 2, 2009,  
Cony Nan-Sing Chua et al., date mailed Apr. 6, 2010, 9 pages.

\* cited by examiner

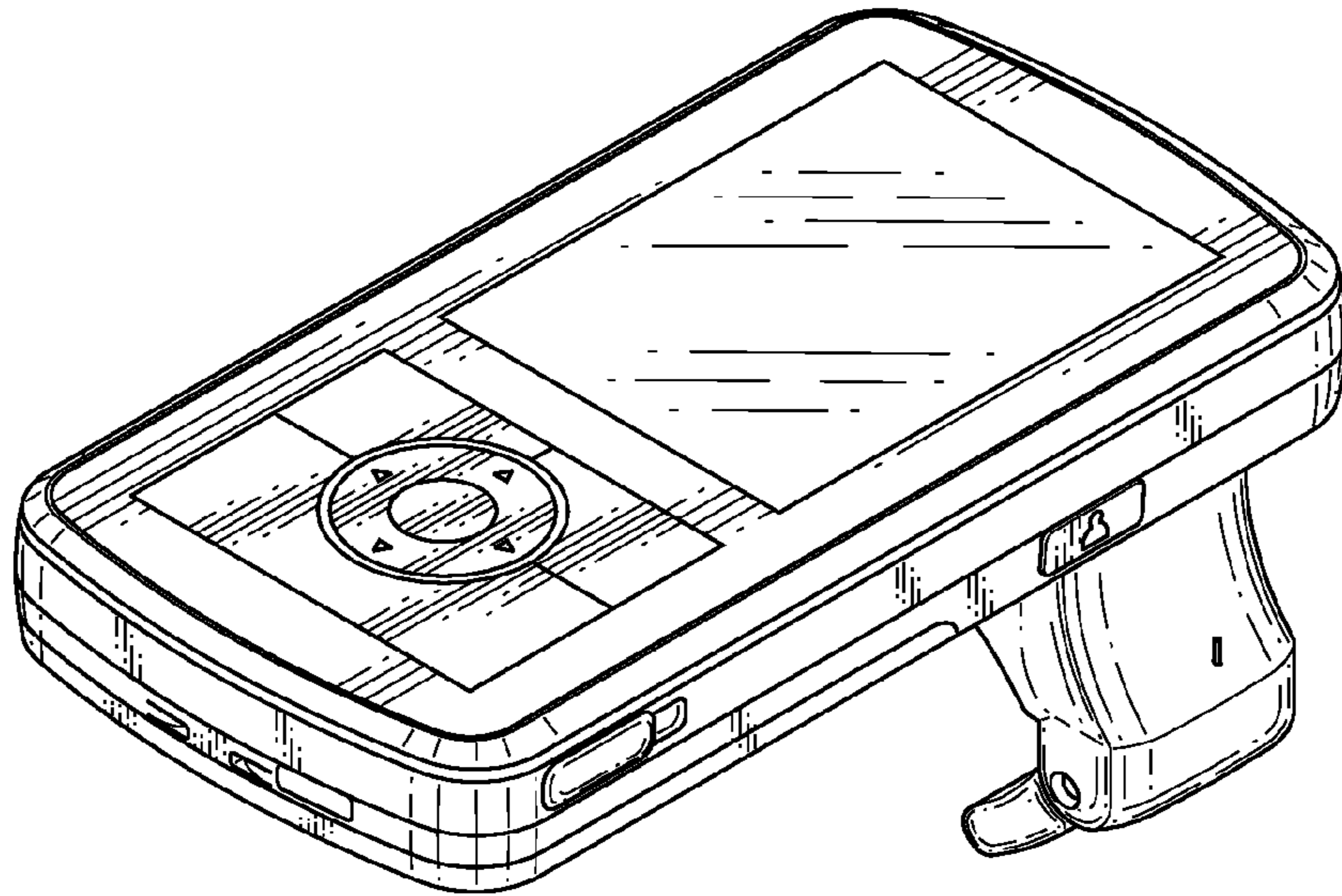


Fig. 1

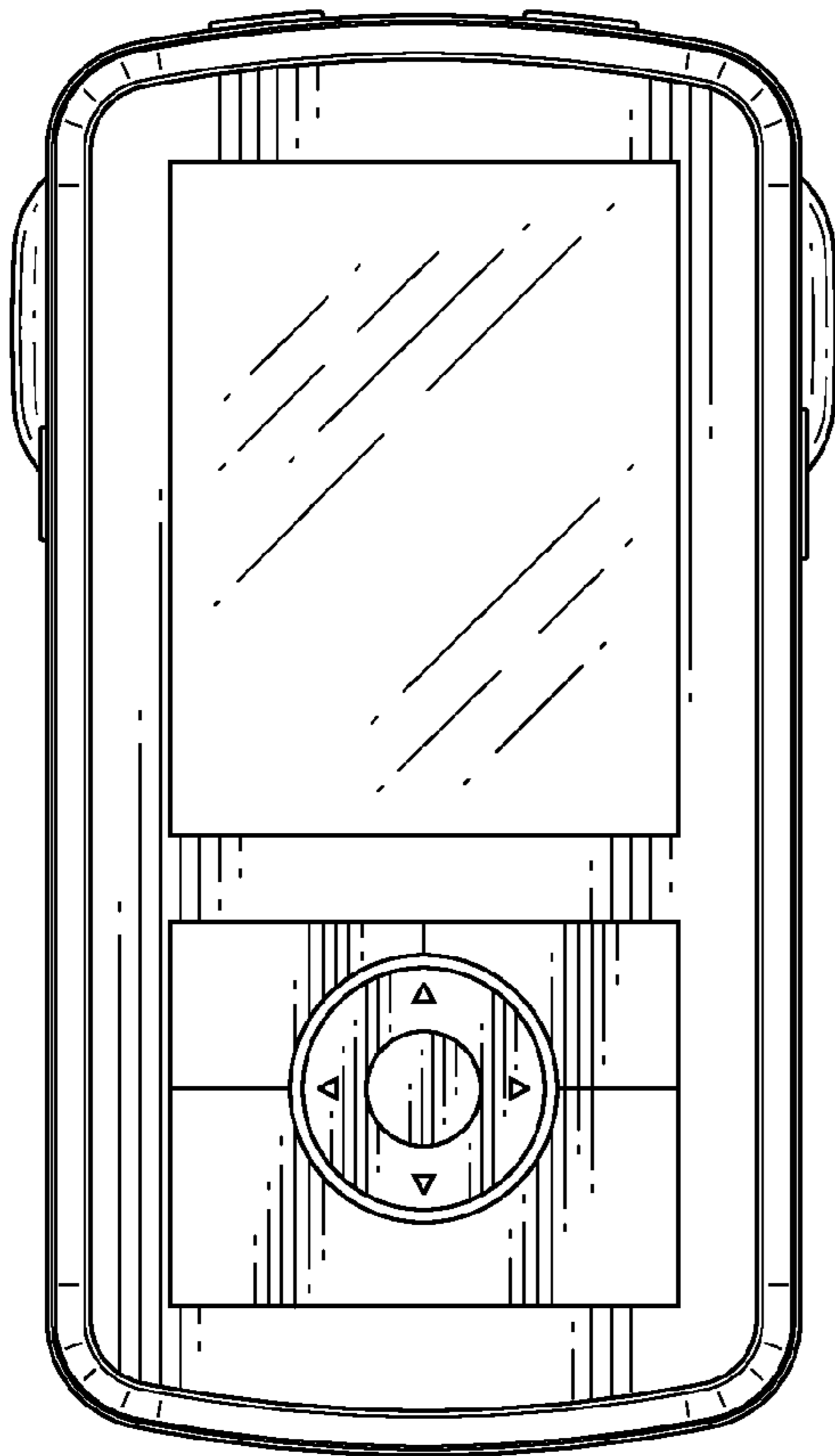


Fig. 2

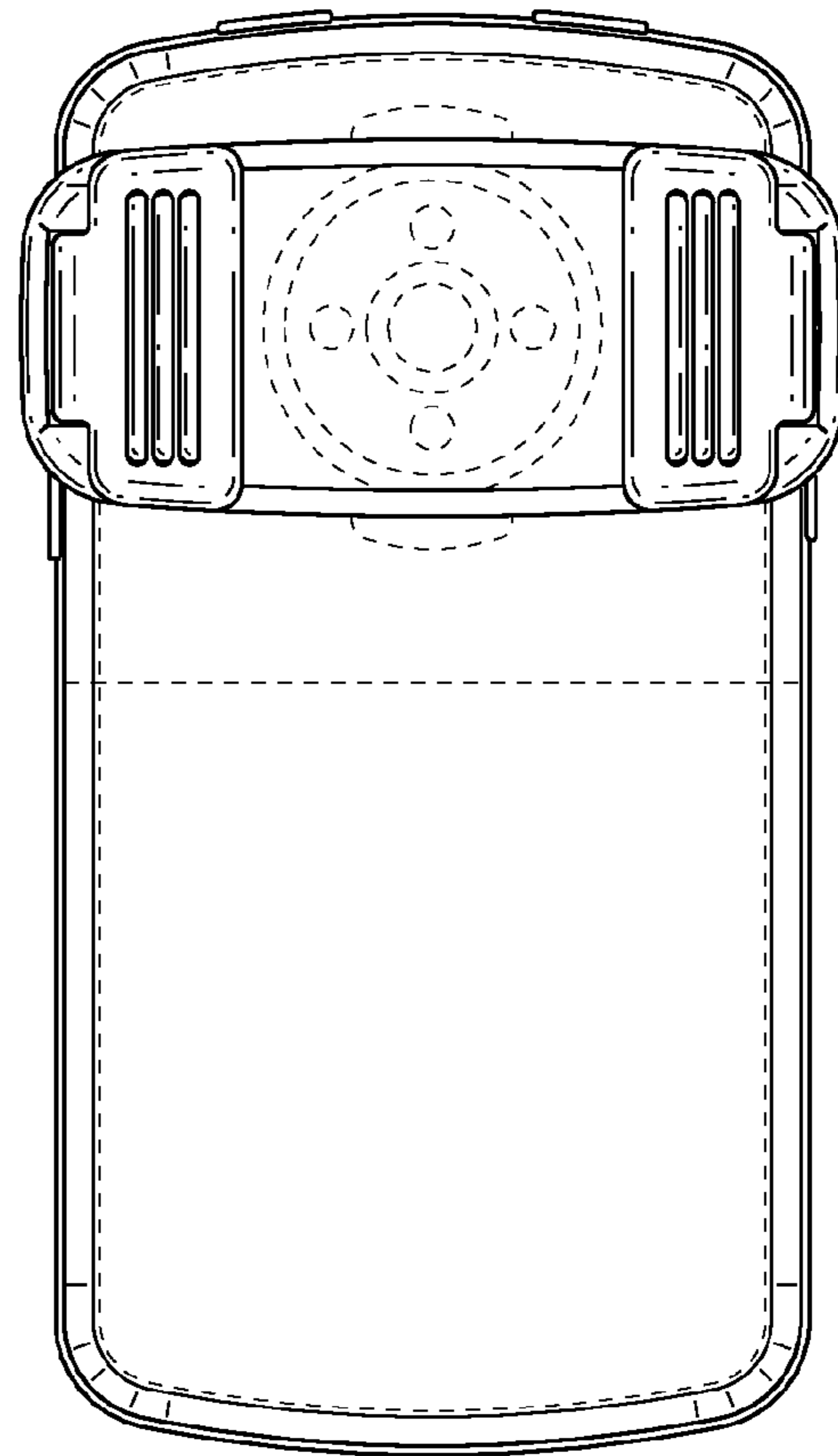


Fig. 3

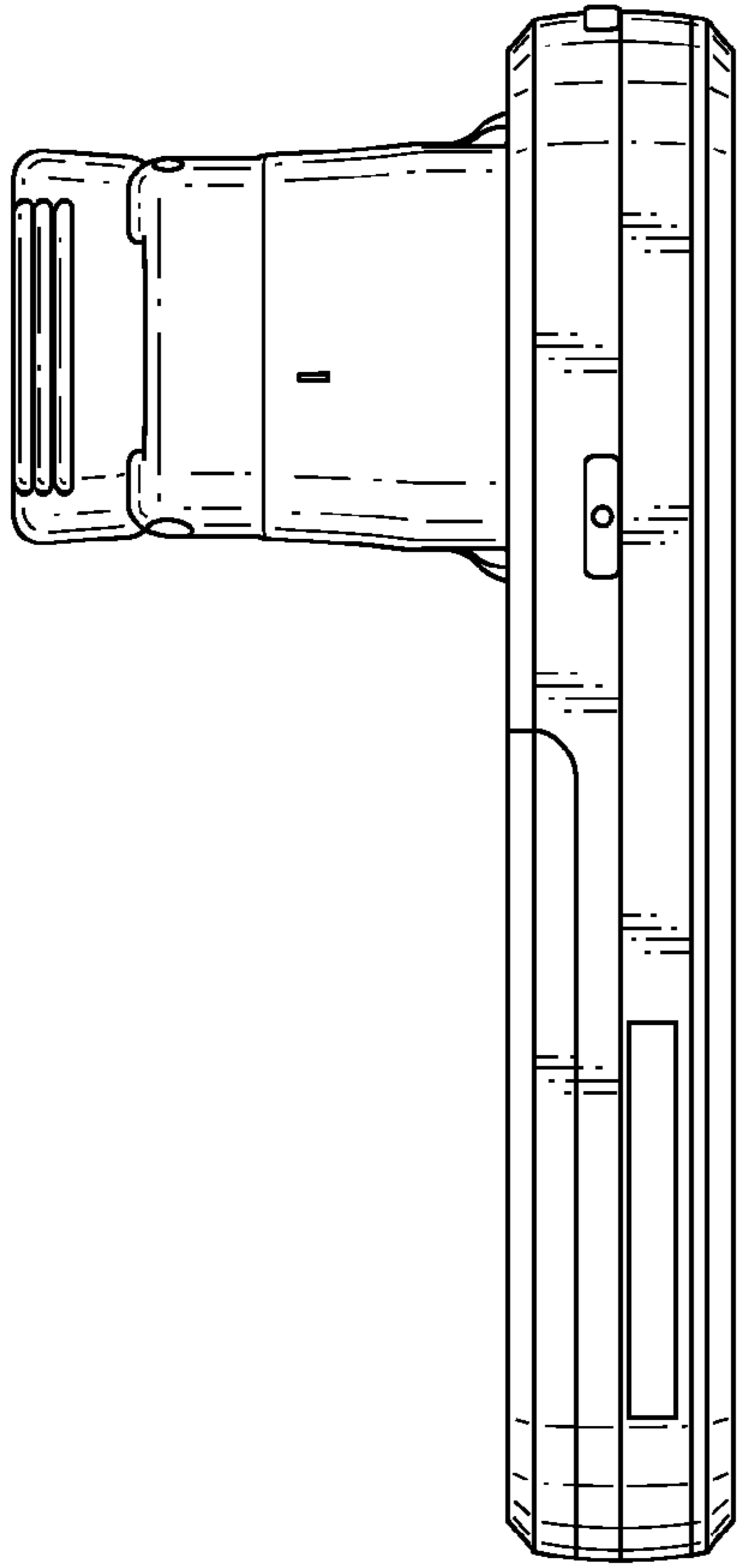


Fig. 4

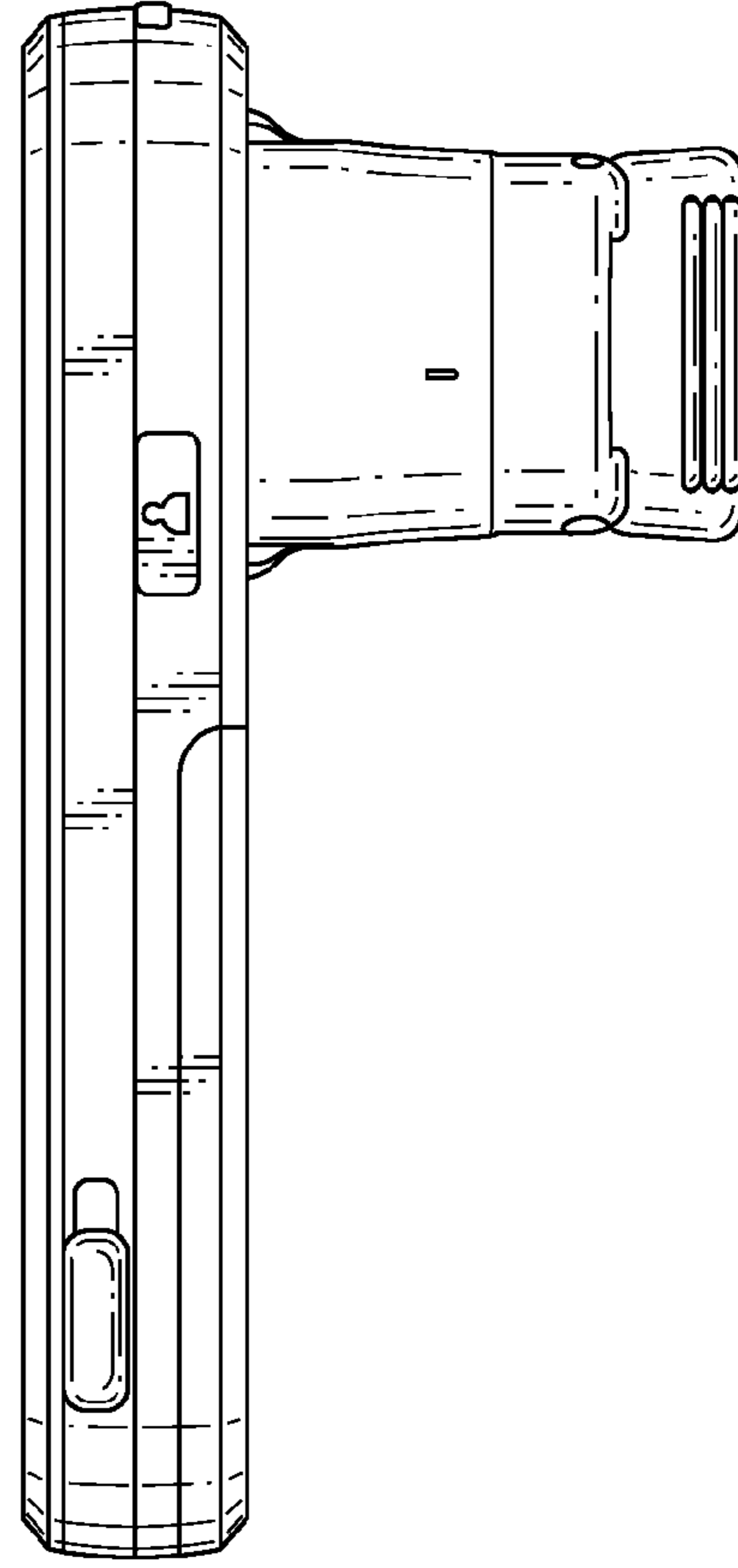


Fig. 5

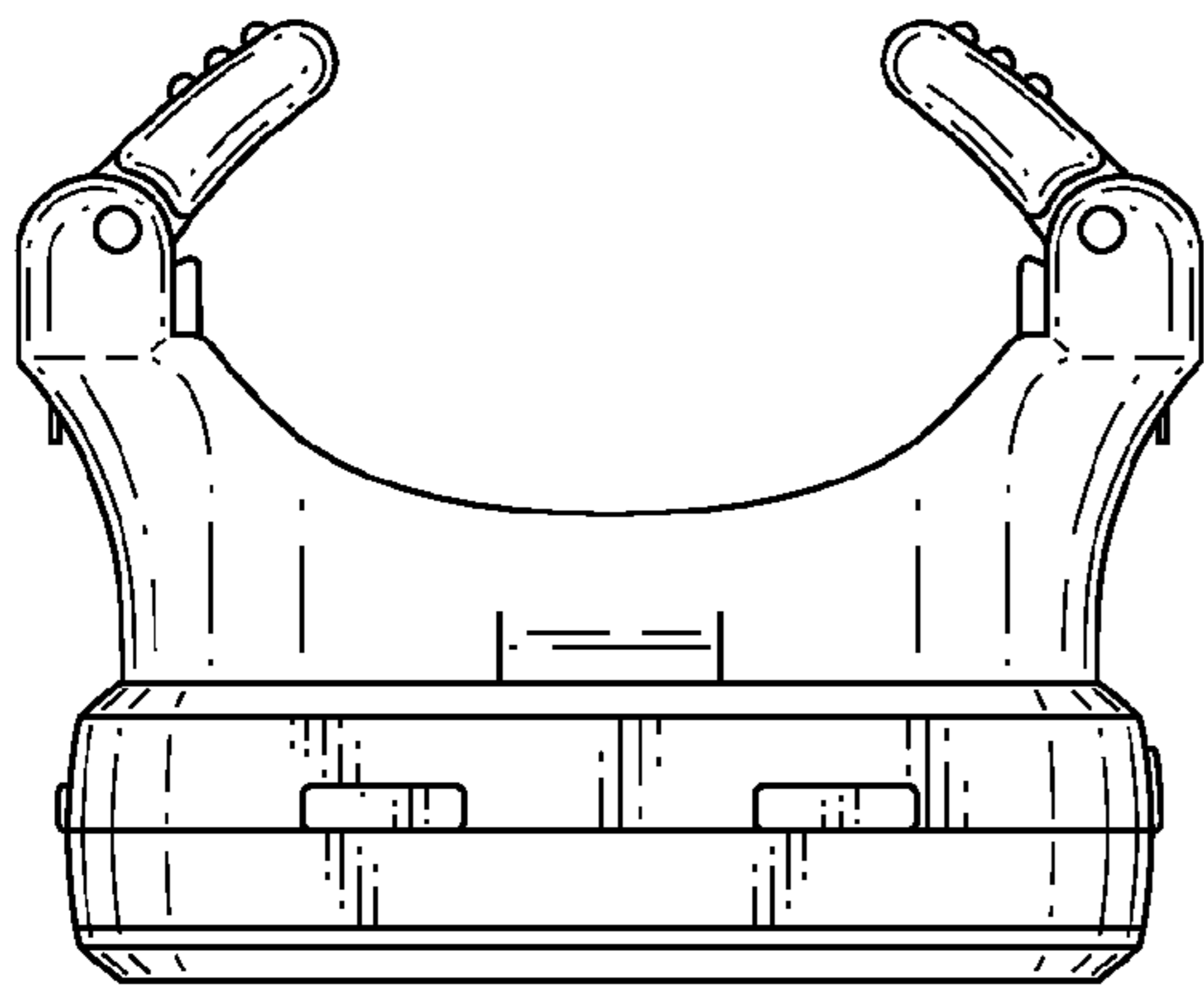


Fig. 6

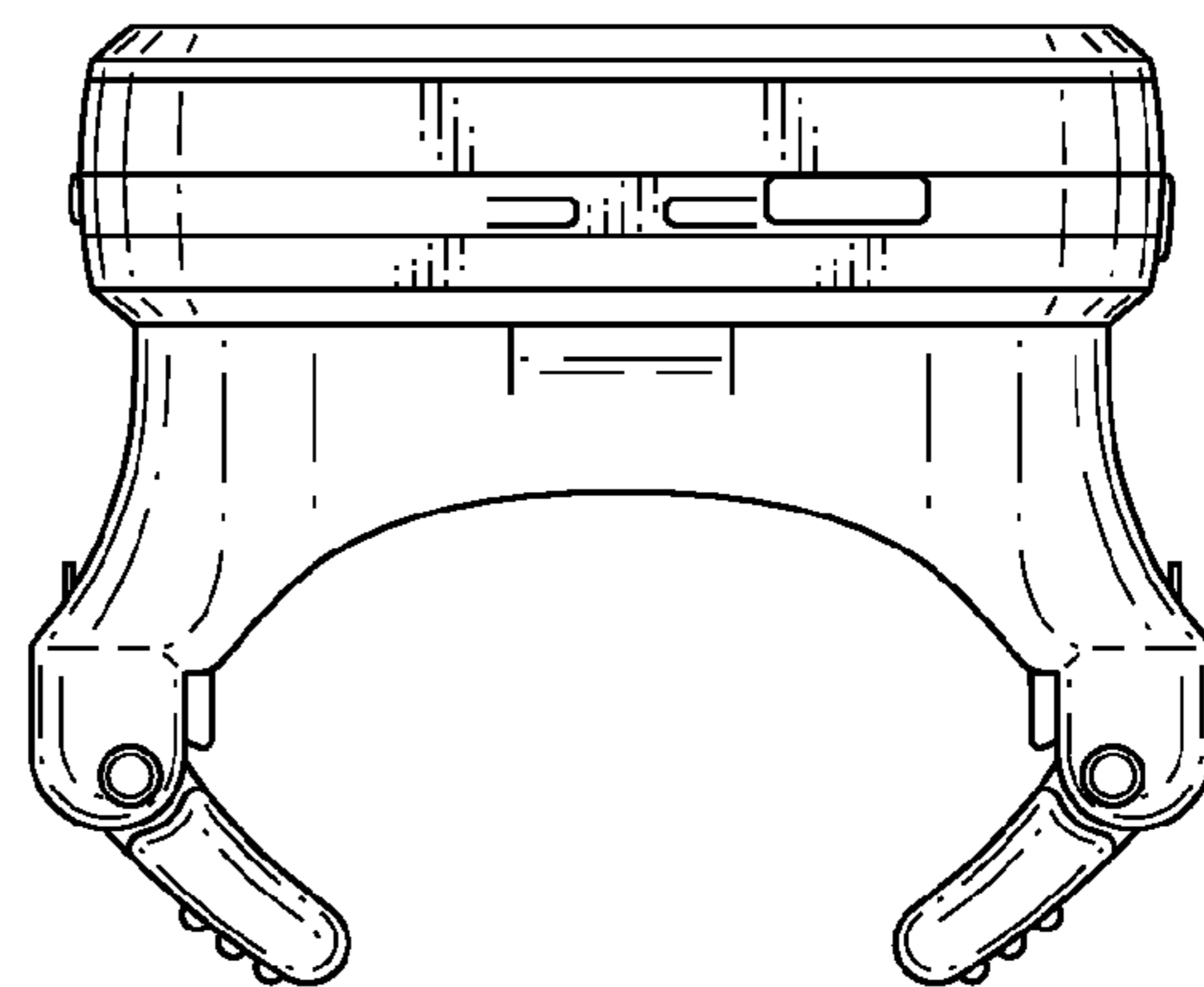


Fig. 7