



US00D634434S

(12) **United States Design Patent**
Pukall et al.

(10) **Patent No.:** **US D634,434 S**
(45) **Date of Patent:** **** Mar. 15, 2011**

(54) **CLIP FOR HEARING AID**

(75) Inventors: **Britta Pukall**, Mannedorf (CH);
Therese Naef, Wettingen (CH); **Florian Wassermann**, Zurich (CH); **Jan Angst**, Hirzel (CH); **Erich Dittli**, Reichenburg (CH); **Paul Portmann**, Schindellegi (CH)

(73) Assignee: **Phonak AG**, Stafa (CH)

(**) Term: **14 Years**

(21) Appl. No.: **29/353,288**

(22) Filed: **Jan. 6, 2010**

Related U.S. Application Data

(62) Division of application No. 29/306,506, filed on Apr. 10, 2008, now Pat. No. Des. 615,205.

(30) **Foreign Application Priority Data**

Oct. 12, 2007 (CH) 134 470

(51) **LOC (9) Cl.** **24-99**

(52) **U.S. Cl.** **D24/174**

(58) **Field of Classification Search** D24/173-175,
D24/106; D14/205, 223, 224, 249; 381/23.1,
381/312, 322-324, 328-330, 334, 151, 380,
381/381; 181/129, 130, 135, 137

See application file for complete search history.

(56) **References Cited**

U.S. PATENT DOCUMENTS

D251,852 S	5/1979	Guice	
4,335,281 A *	6/1982	Scott et al.	379/430
D294,862 S *	3/1988	Diefenbach	D24/174
D322,126 S *	12/1991	van Mourik	D24/174
D346,026 S	4/1994	Shubert et al.	
D363,487 S *	10/1995	Thurnau	D14/224
D421,755 S	3/2000	Pitel	
D471,536 S *	3/2003	Rath et al.	D14/223
D480,073 S	9/2003	Jensen et al.	
D518,816 S	4/2006	Naito et al.	
D562,983 S	2/2008	Jurkiewicz	

D573,137 S	7/2008	Polito
D589,152 S	3/2009	Champkins
D597,069 S	7/2009	Wengreen
D599,329 S	9/2009	Champkins

* cited by examiner

Primary Examiner — T. Chase Nelson

Assistant Examiner — Anhdao Doan

(74) *Attorney, Agent, or Firm* — Rankin, Hill & Clark LLP

(57) **CLAIM**

We claim the ornamental design for a clip for hearing aid, as shown and described.

DESCRIPTION

FIG. 1 is a perspective view of a clip for hearing aid embodying our design;

FIG. 2 is a side elevational view of the clip for hearing aid shown in FIG. 1;

FIG. 3 is a rear view of the clip for hearing aid shown in FIG. 1;

FIG. 4 is a top view of the clip for hearing aid shown in FIG. 1;

FIG. 5 is an opposite side elevational view of the clip for hearing aid shown in FIG. 2;

FIG. 6 is a bottom view of the clip for hearing aid shown in FIG. 1;

FIG. 7 is a front view of the clip for hearing aid shown in FIG. 1;

FIG. 8 is a perspective view of another embodiment of a clip for hearing aid embodying our design;

FIG. 9 is a side elevational view of the clip for hearing aid shown in FIG. 8;

FIG. 10 is a rear view of the clip for hearing aid shown in FIG. 8;

FIG. 11 is a top view of the clip for hearing aid shown in FIG. 8;

FIG. 12 is an opposite side elevational view of the clip for hearing aid shown in FIG. 9;

FIG. 13 is a bottom view of the clip for hearing aid shown in FIG. 8;

FIG. 14 is a front view of the clip for hearing aid shown in FIG. 8;

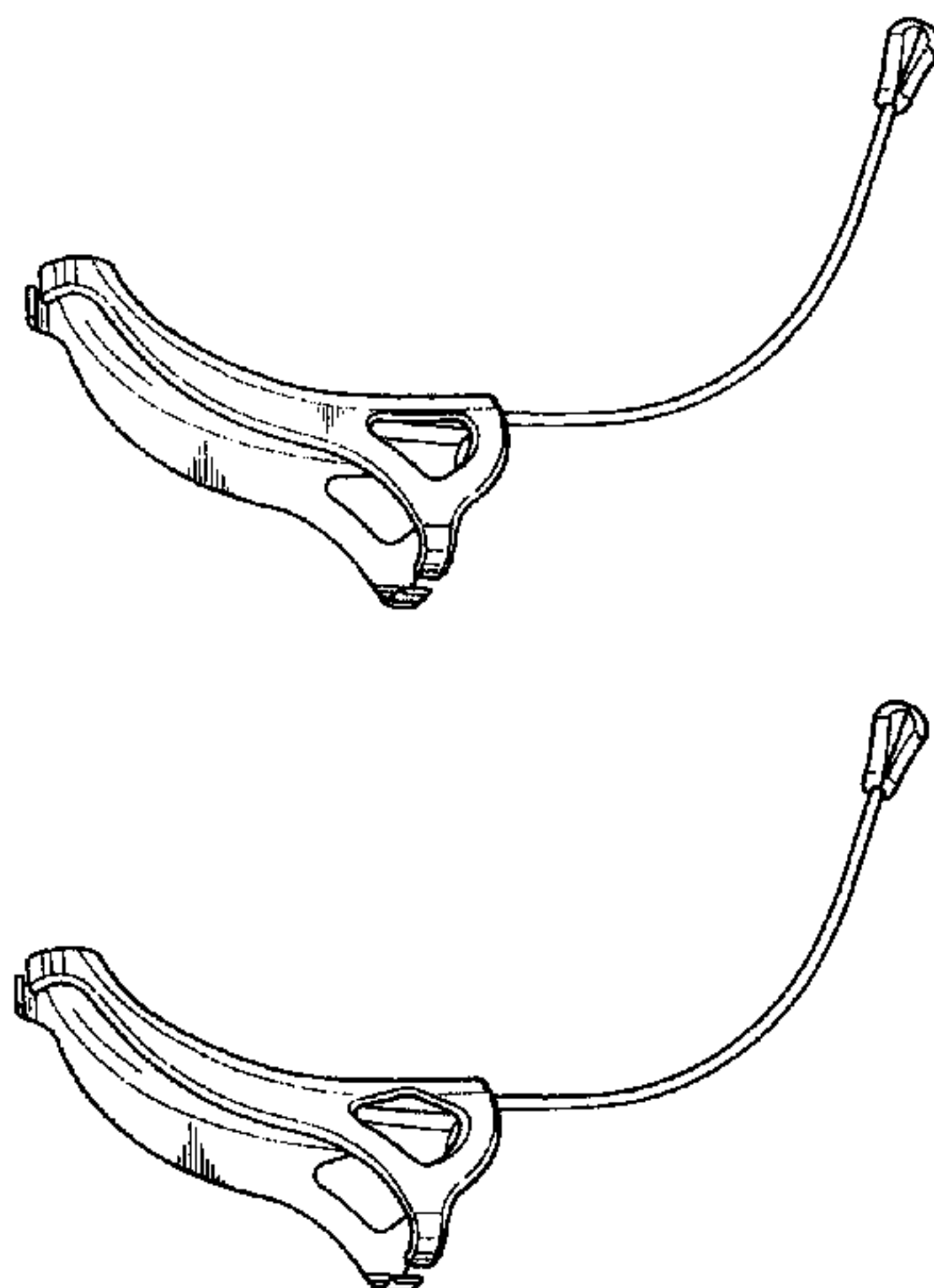


FIG. **15** is a perspective view of yet another embodiment of a clip for hearing aid embodying our design;

FIG. **16** is a side elevational view of the clip for hearing aid shown in FIG. **15**;

FIG. **17** is a rear view of the clip for hearing aid shown in FIG. **15**;

FIG. **18** is a top view of the clip for hearing aid shown in FIG. **15**;

FIG. **19** is an opposite side elevational view of the clip for hearing aid shown in FIG. **16**;

FIG. **20** is a bottom view of the clip for hearing aid shown in FIG. **15**;

FIG. **21** is a front view of the clip for hearing aid shown in FIG. **15**;

FIG. **22** is a perspective view of yet another embodiment of a clip for hearing aid embodying our design;

FIG. **23** is a side elevational view of the clip for hearing aid shown in FIG. **22**;

FIG. **24** is a rear view of the clip for hearing aid shown in FIG. **22**;

FIG. **25** is a top view of the clip for hearing aid shown in FIG. **22**;

FIG. **26** is an opposite side elevational view of the clip for hearing aid shown in FIG. **23**;

FIG. **27** is a bottom view of the clip for hearing aid shown in FIG. **22**; and,

FIG. **28** is a front view of the clip for hearing aid shown in FIG. **22**.

1 Claim, 8 Drawing Sheets

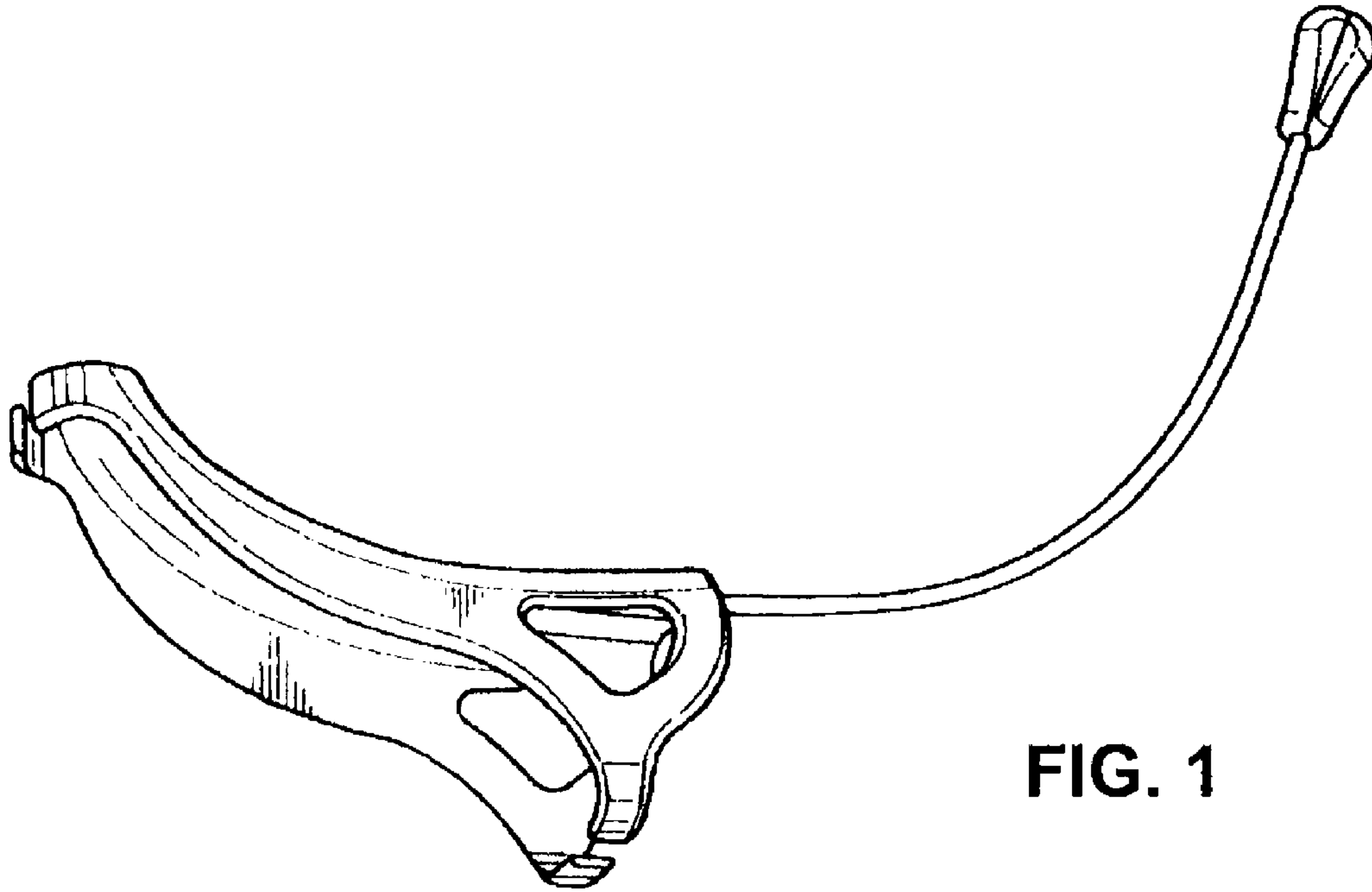


FIG. 1

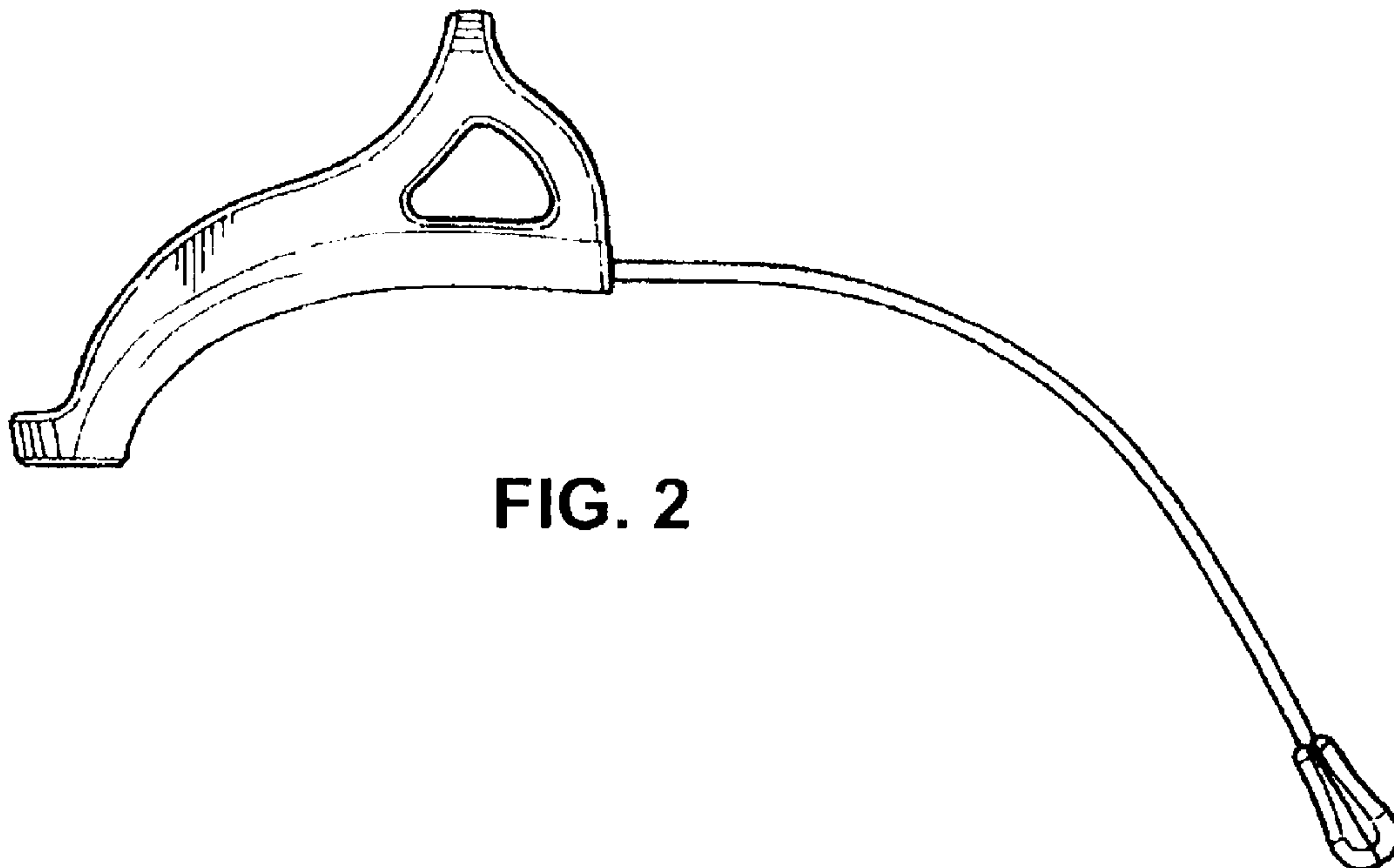


FIG. 2

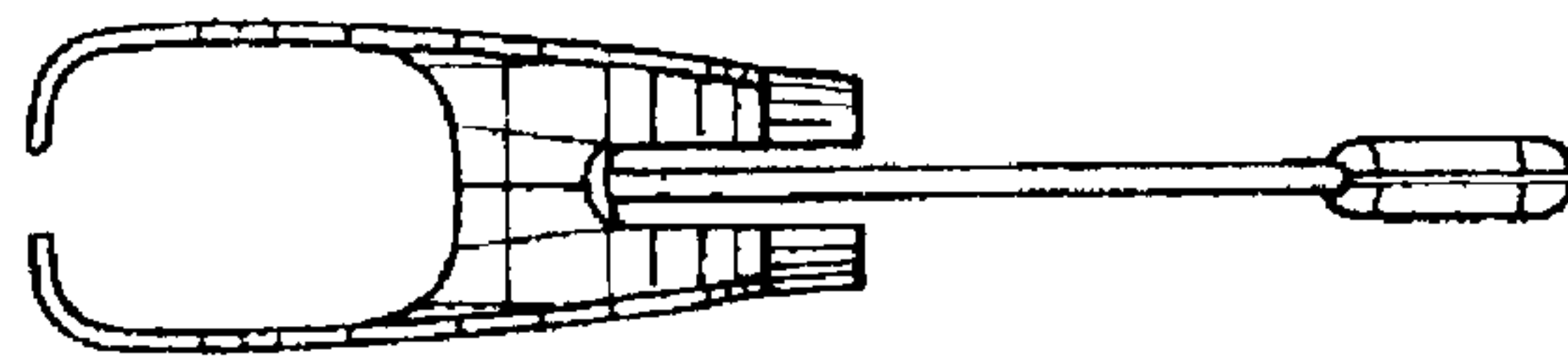


FIG. 3

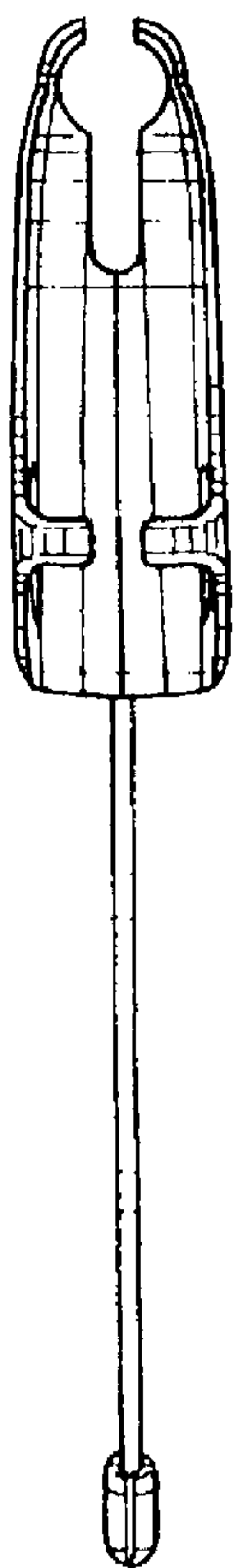


FIG. 4

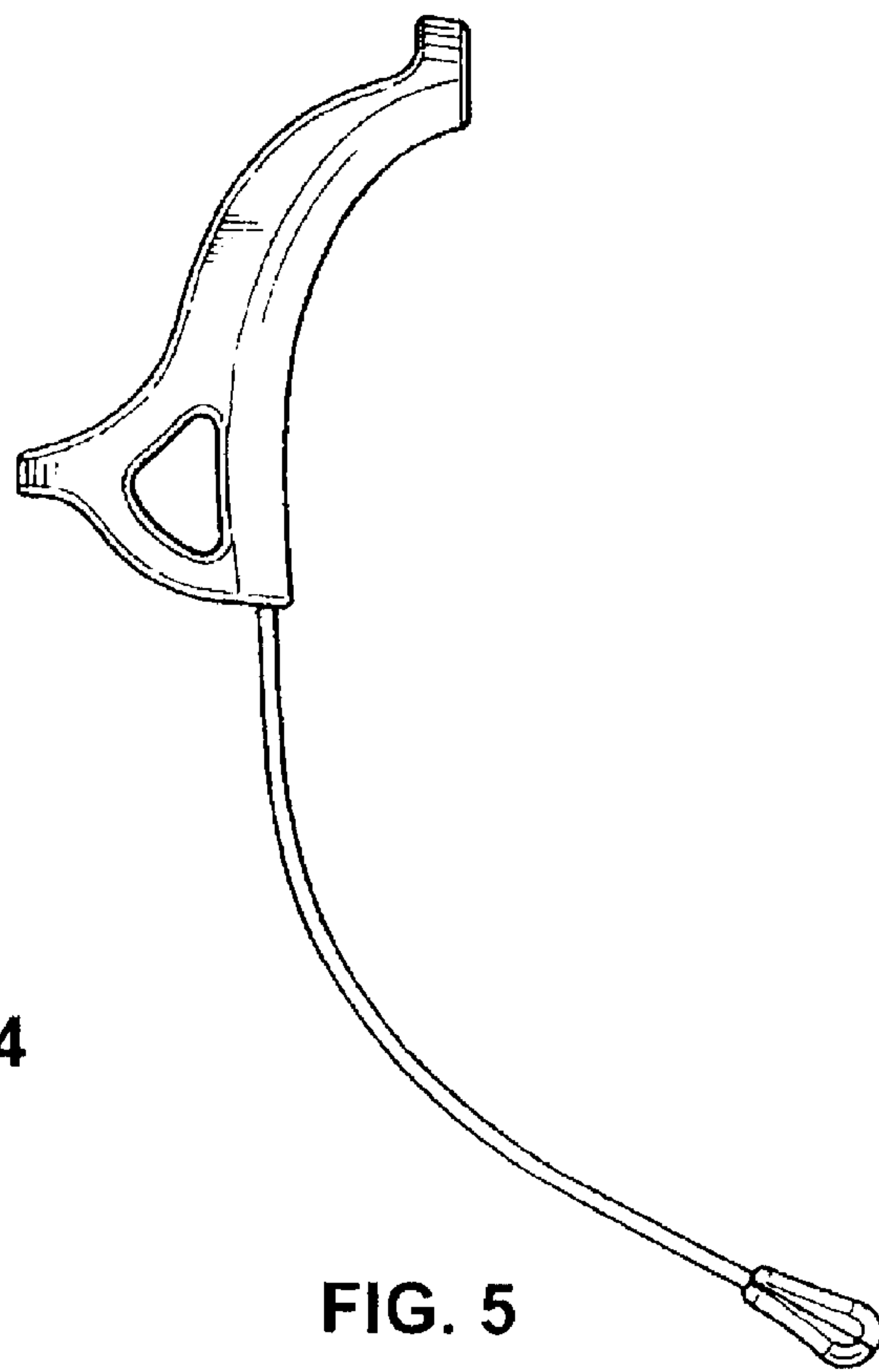


FIG. 5

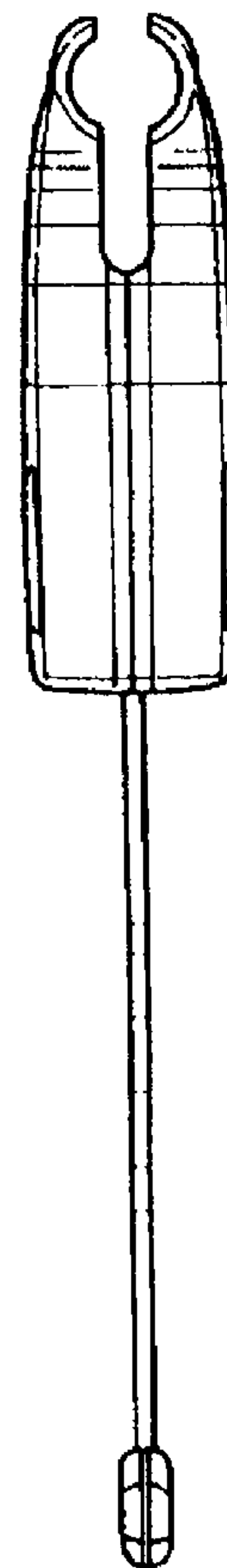


FIG. 6

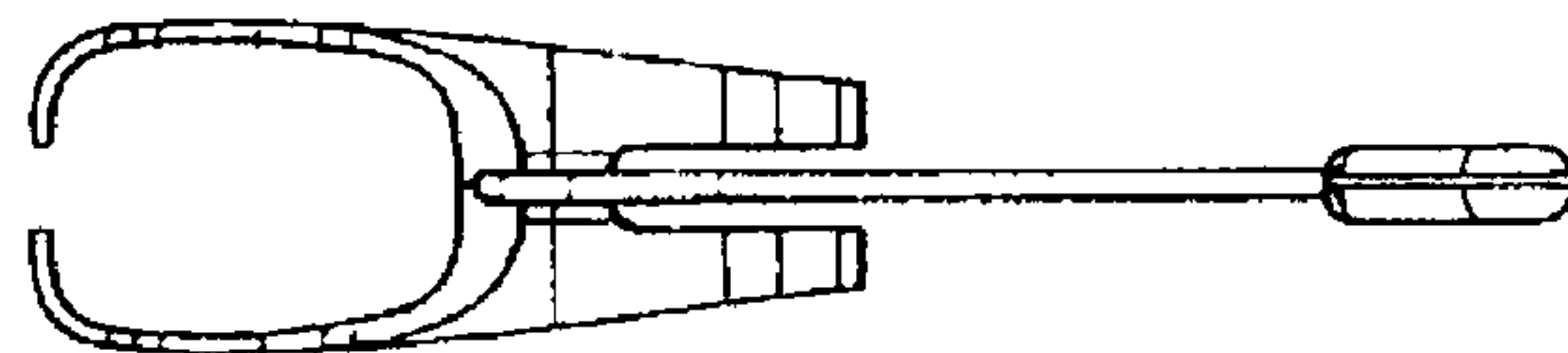


FIG. 7

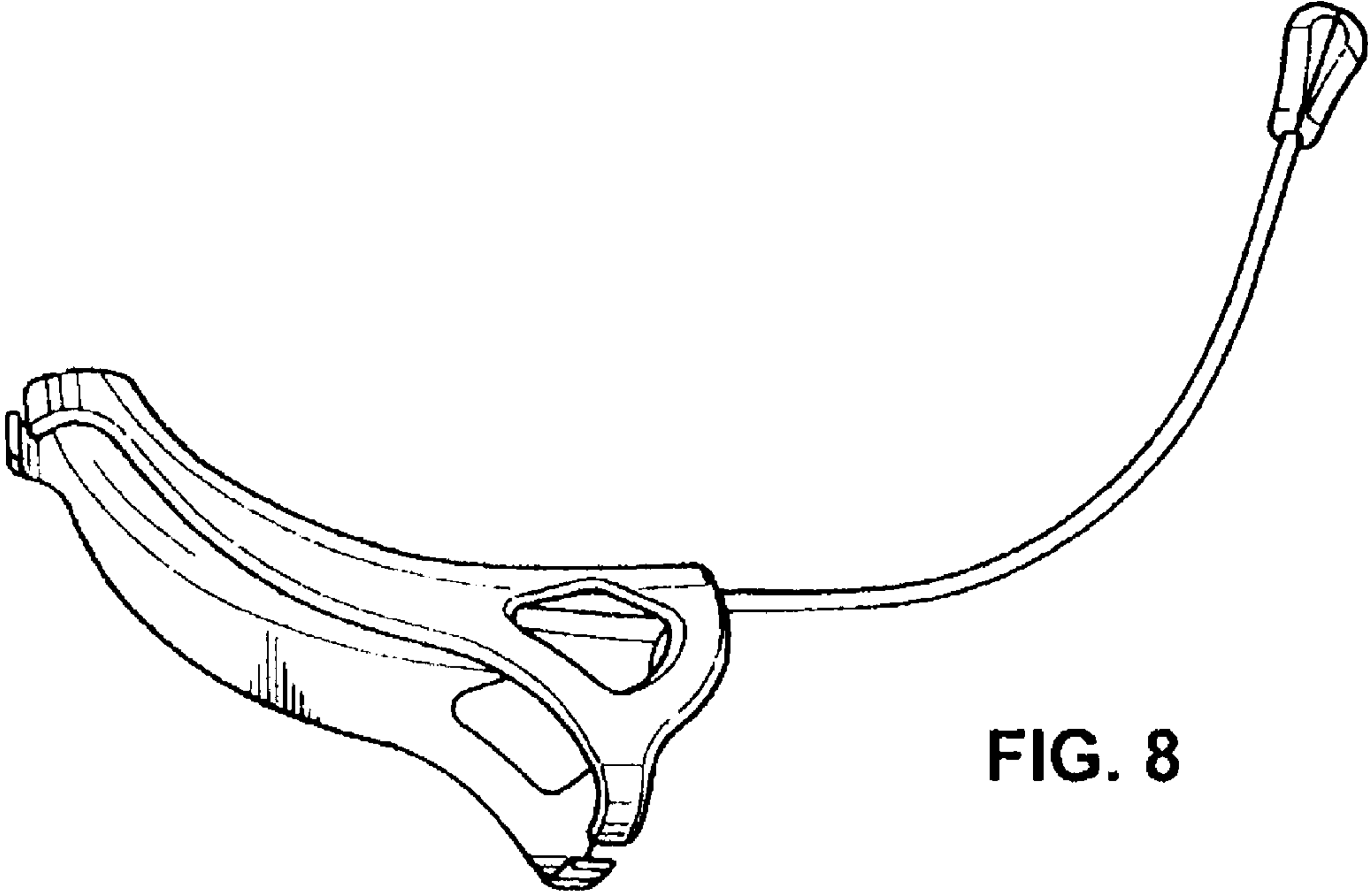


FIG. 8

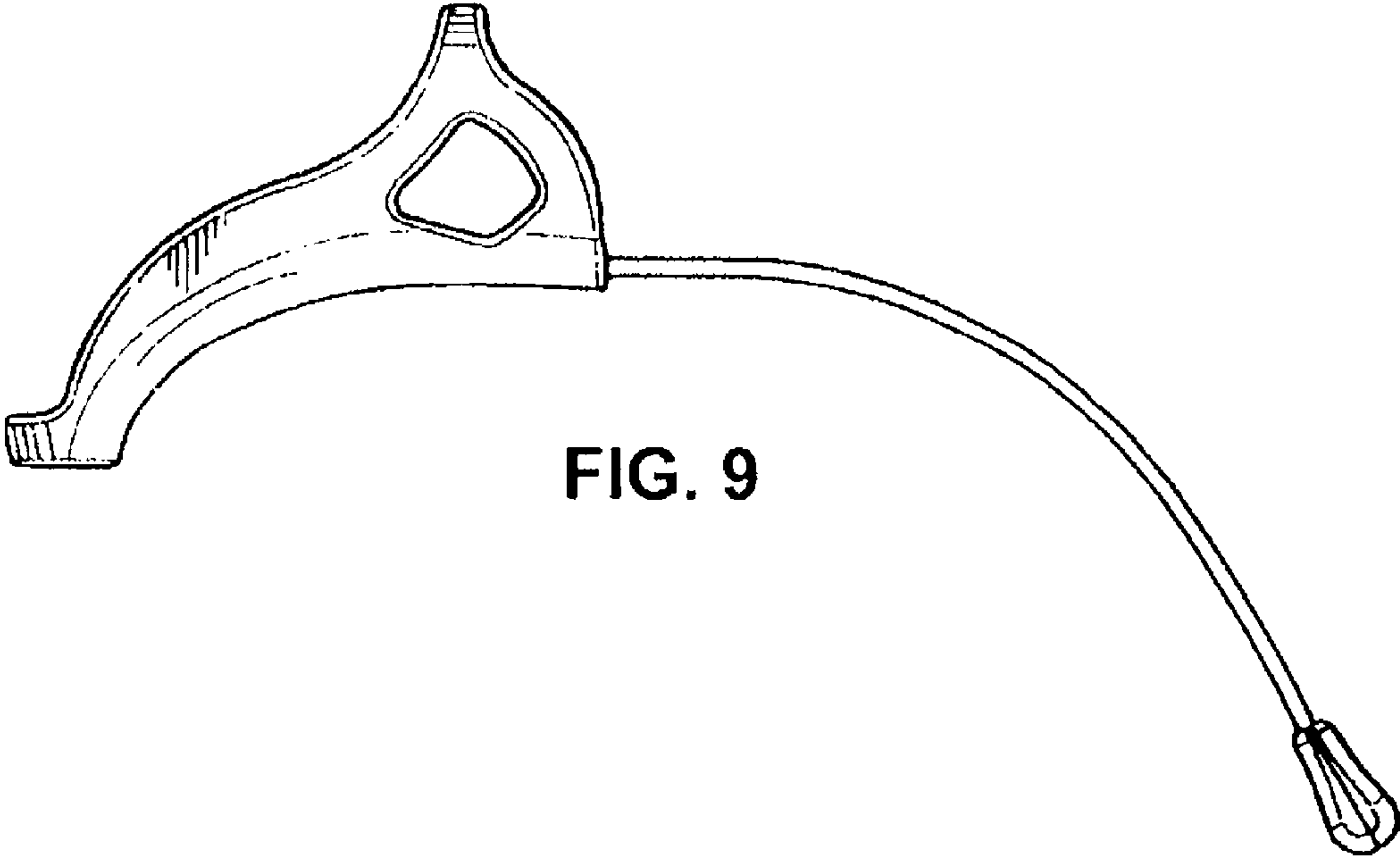


FIG. 9

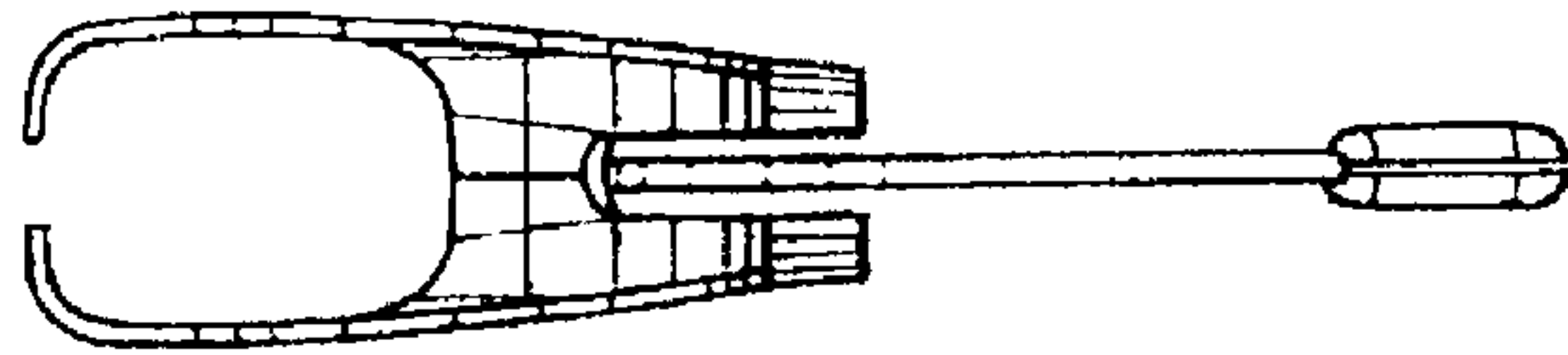


FIG. 10

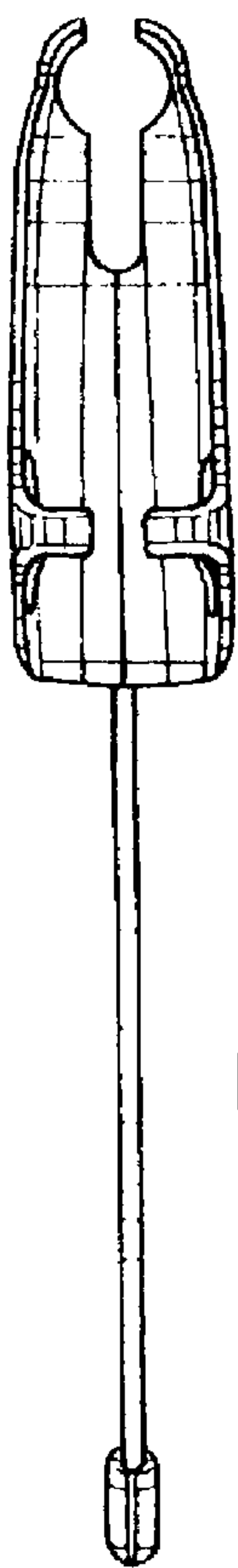


FIG. 11

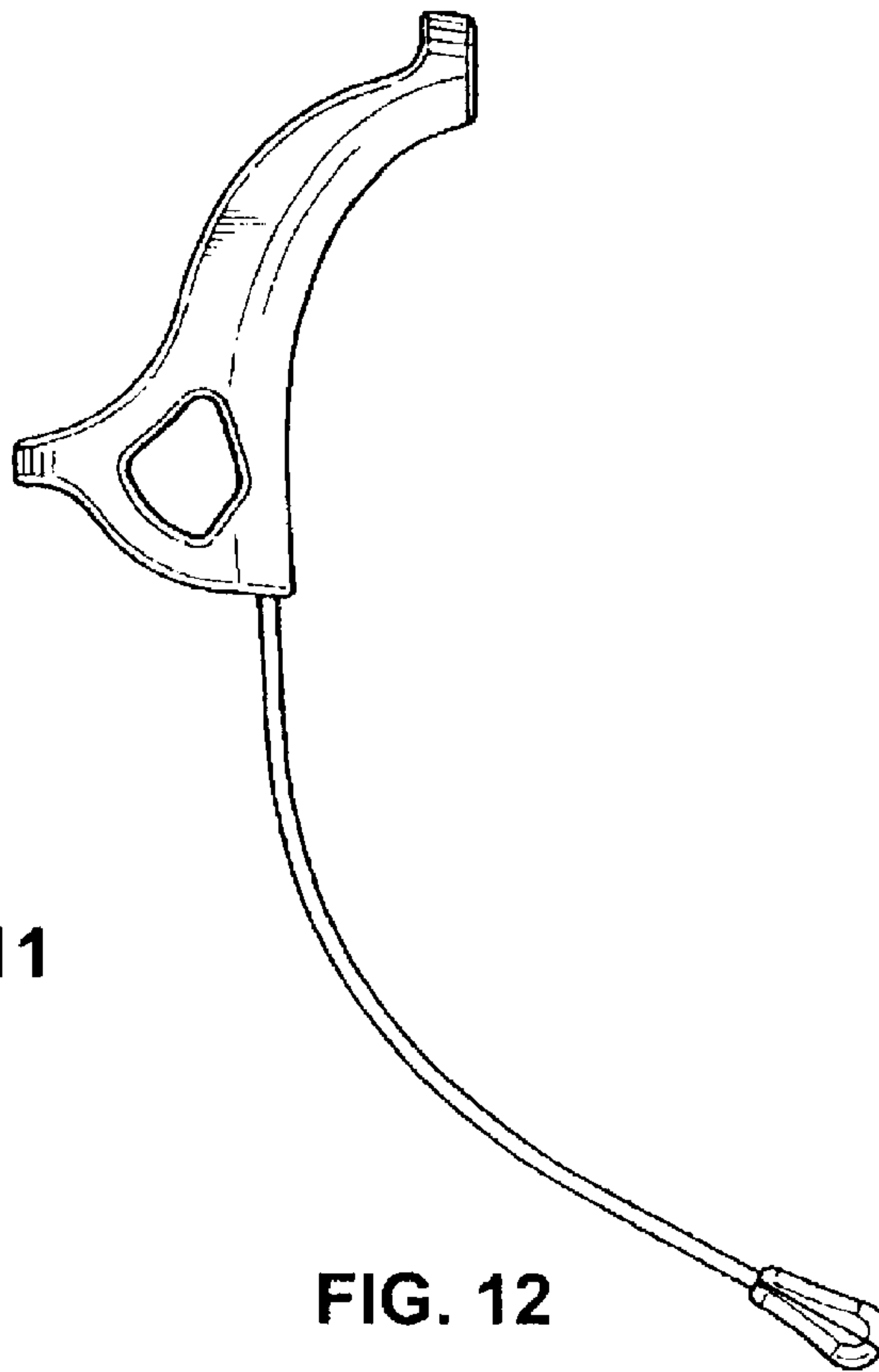


FIG. 12

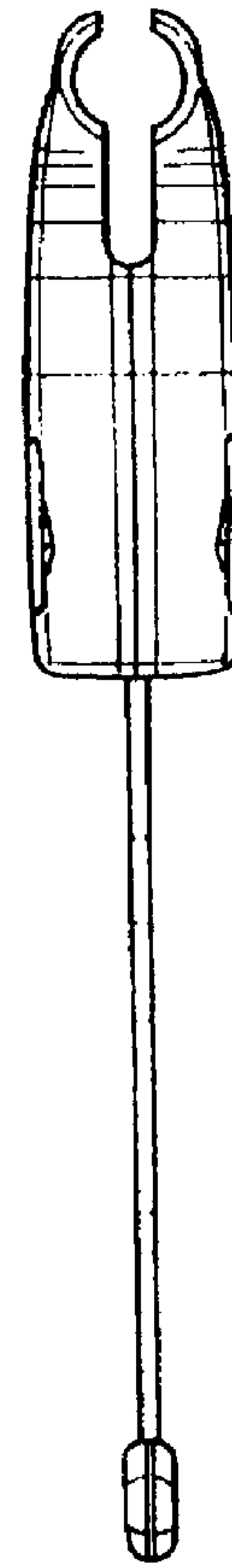


FIG. 13

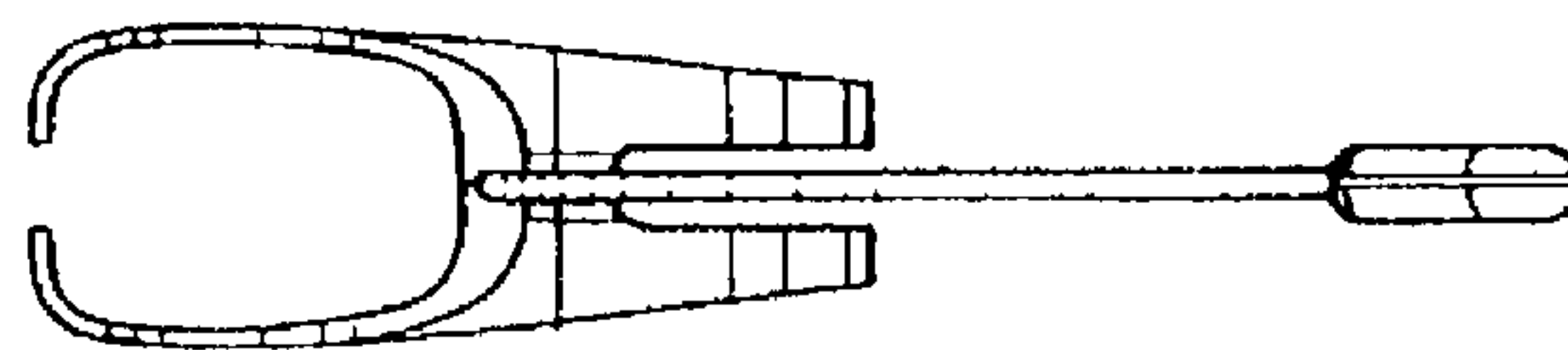


FIG. 14

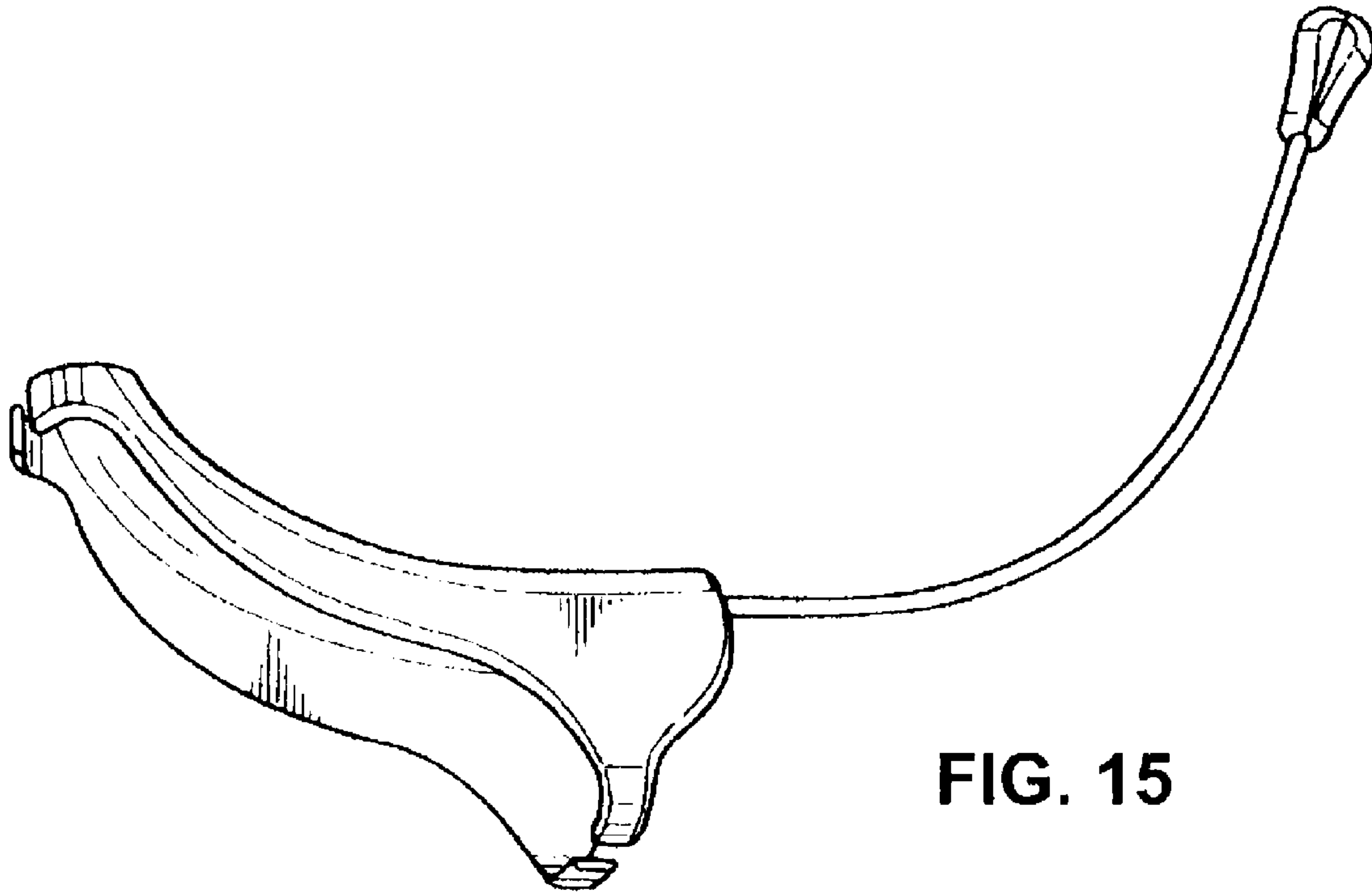


FIG. 15

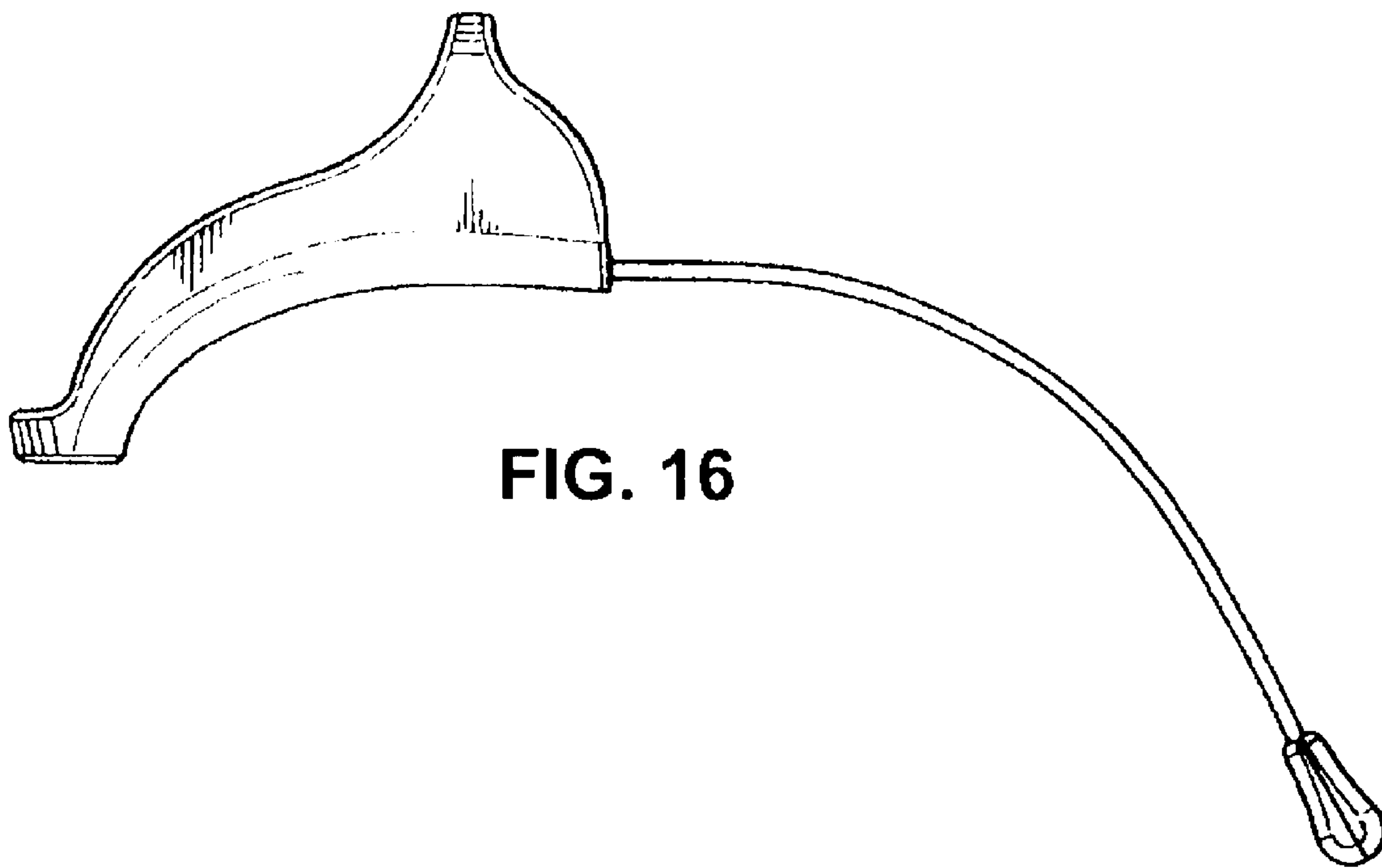


FIG. 16

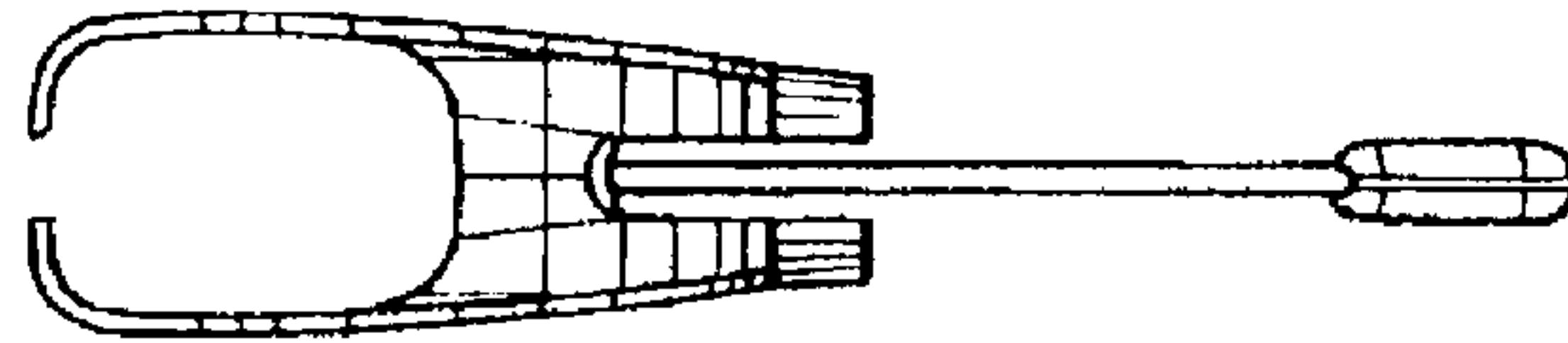


FIG. 17

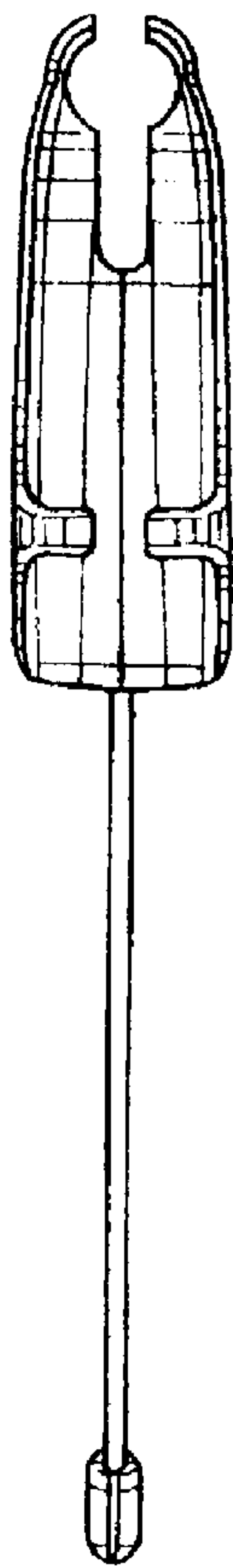


FIG. 18

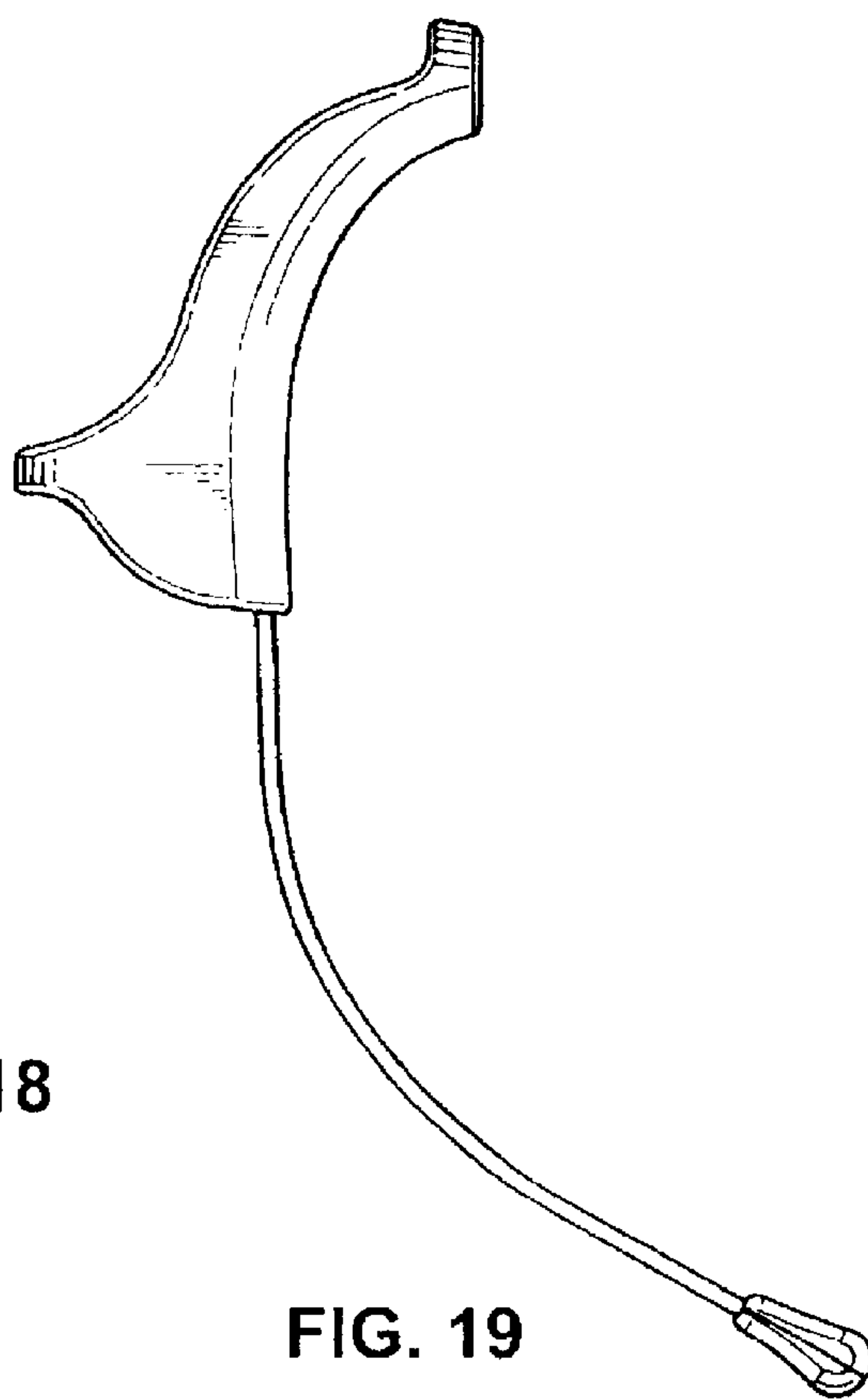


FIG. 19

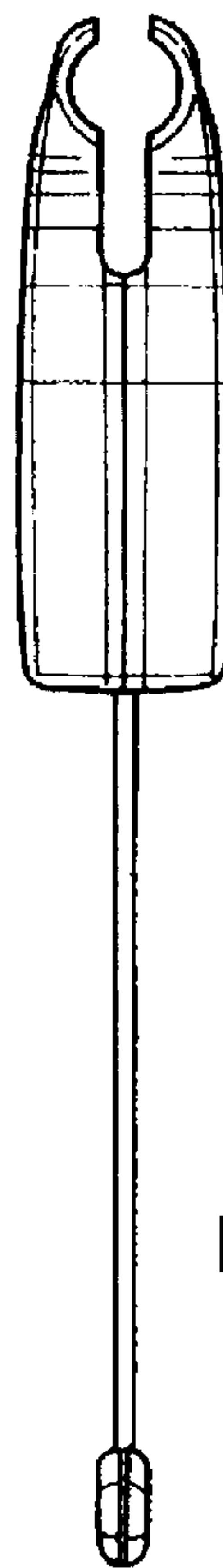


FIG. 20

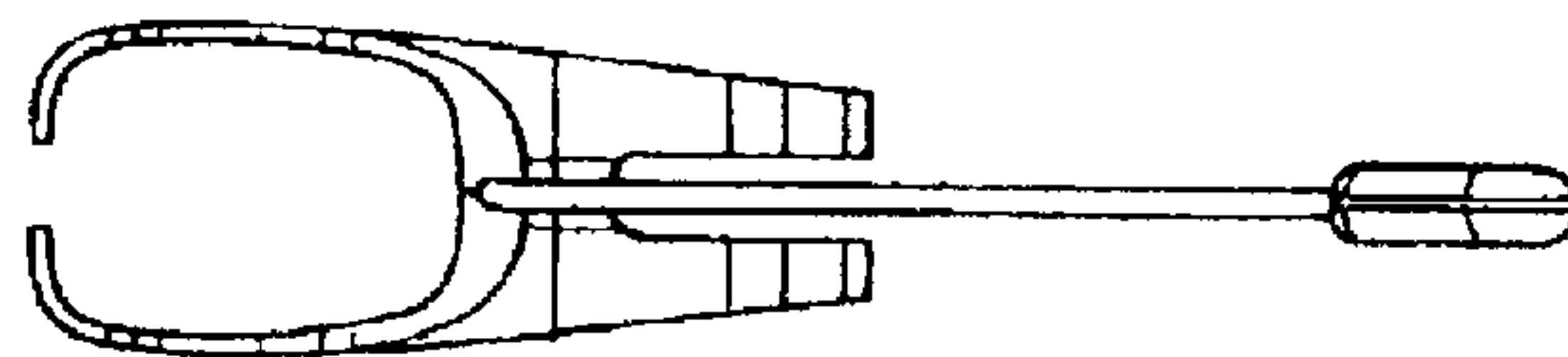


FIG. 21

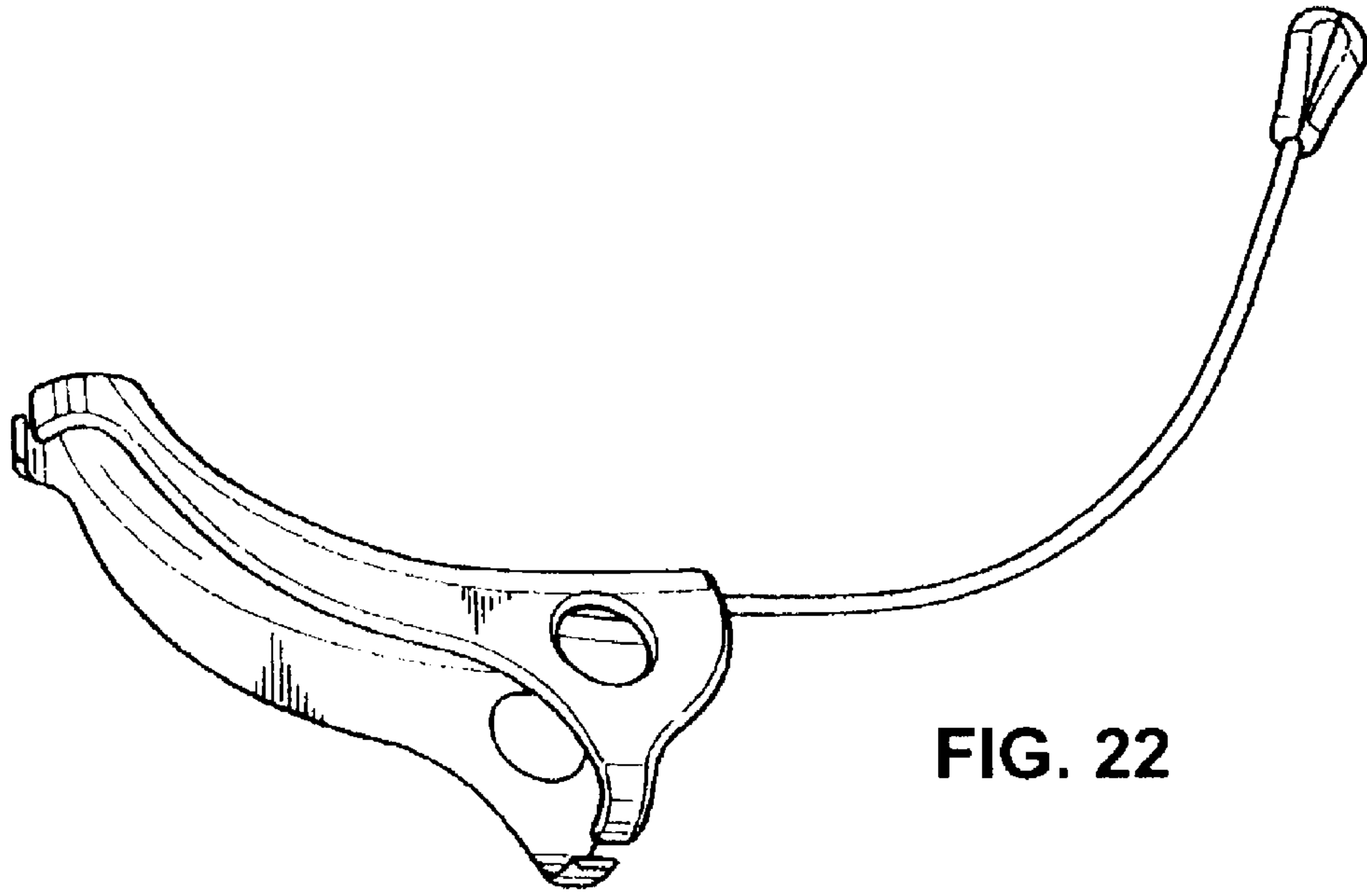


FIG. 22

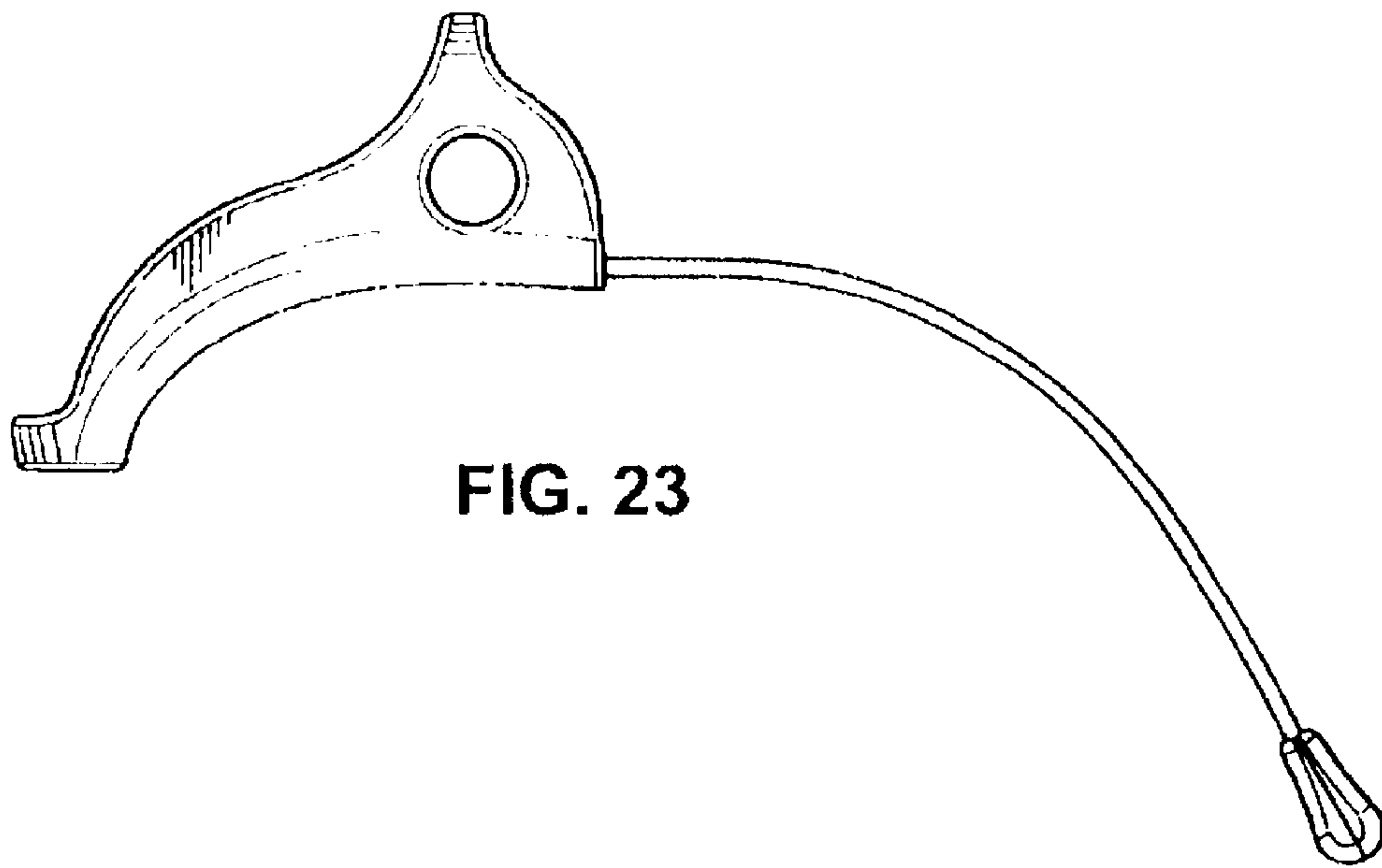


FIG. 23

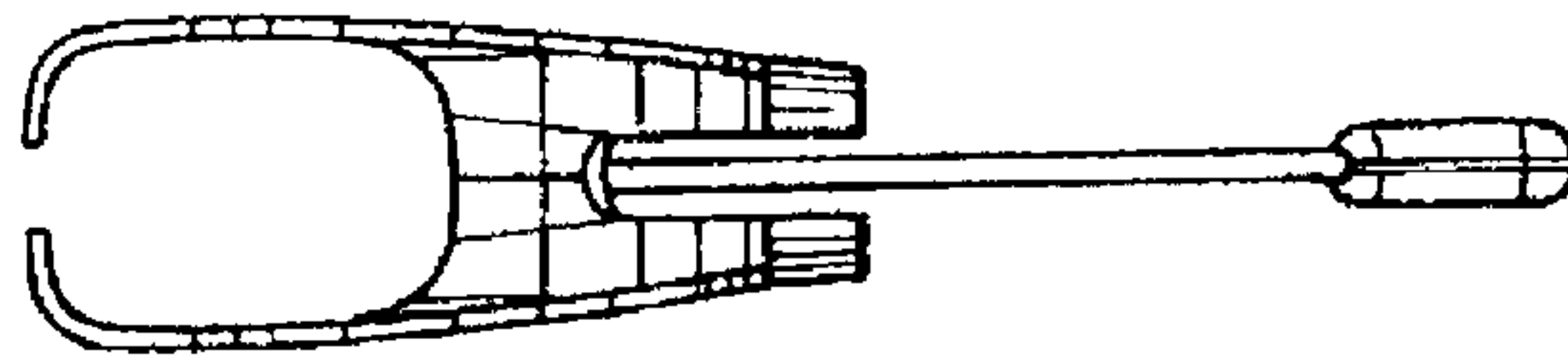


FIG. 24

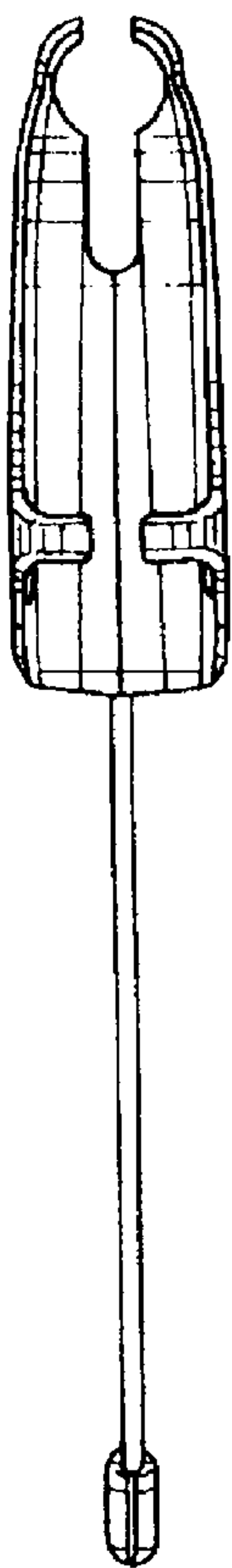


FIG. 25

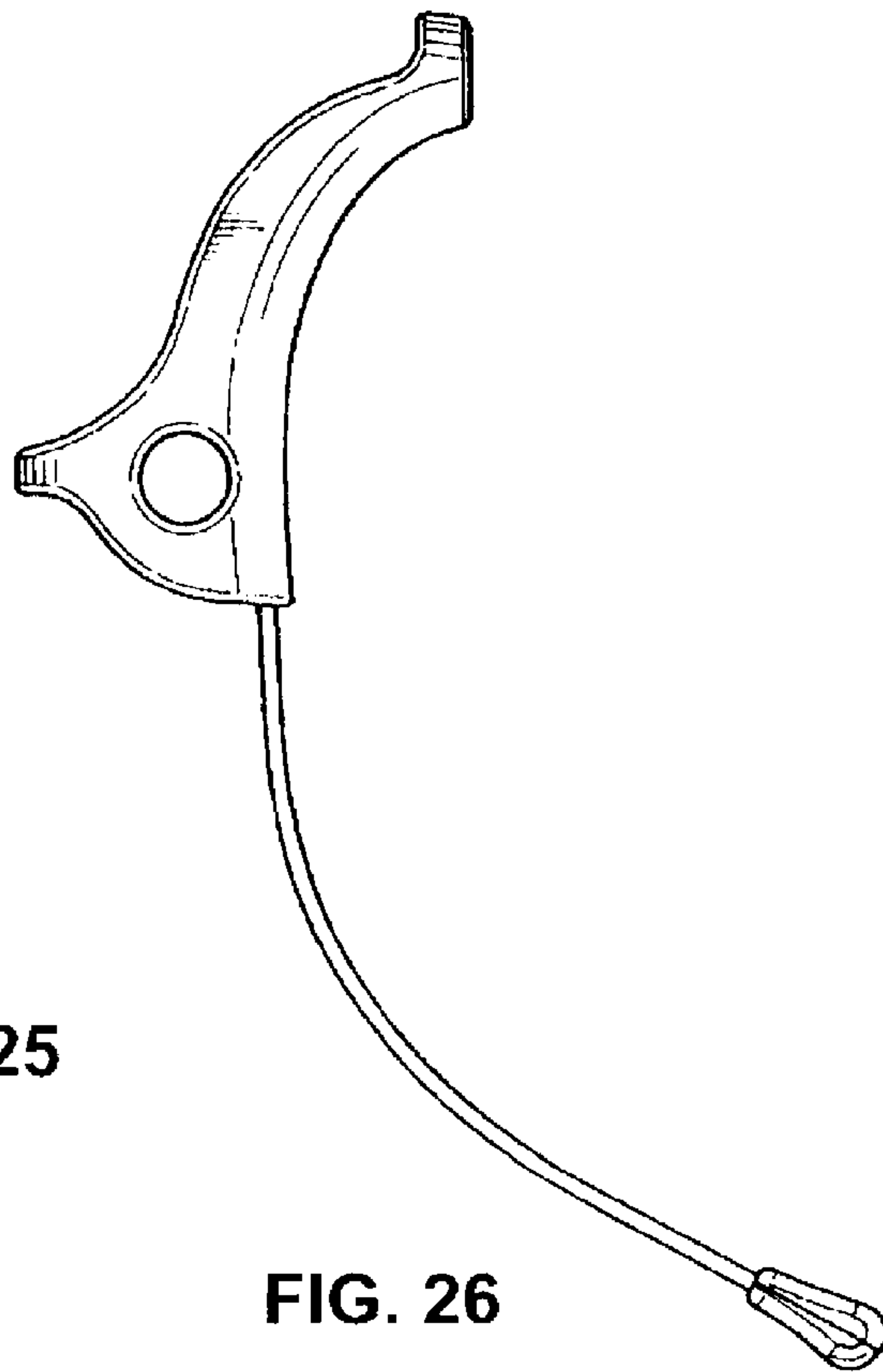


FIG. 26

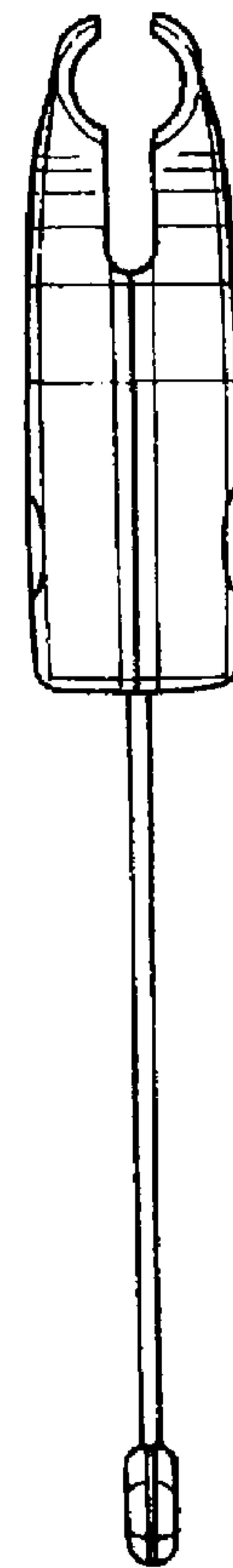


FIG. 27

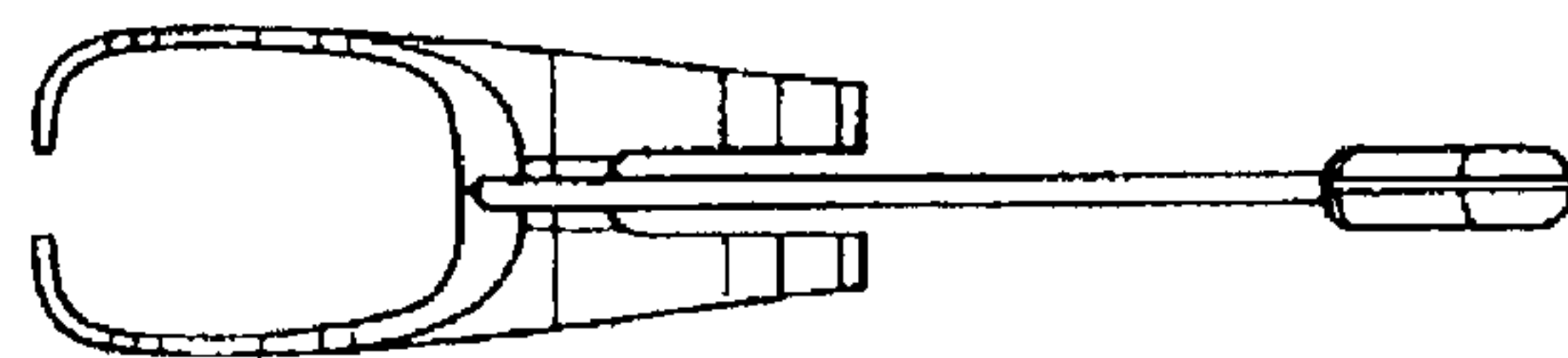


FIG. 28