

US00D634429S

(12) **United States Design Patent**  
**Nordgren et al.**

(10) **Patent No.:** **US D634,429 S**  
(45) **Date of Patent:** **\*\* Mar. 15, 2011**

(54) **ABSORBER OF A MEDICAL DEVICE**

(75) Inventors: **Peter Nordgren**, Stockholm (SE); **Stina Juhlin**, Gustavsberg (SE); **Magnus Olsson**, Stockholm (SE)

(73) Assignee: **Maquet Critical Care AB** (SE)

(\*\*) Term: **14 Years**

(21) Appl. No.: **29/356,410**

(22) Filed: **Feb. 25, 2010**

**Related U.S. Application Data**

(62) Division of application No. 29/318,052, filed on May 12, 2008.

(30) **Foreign Application Priority Data**

Nov. 13, 2007 (EM) ..... 000825658

(51) **LOC (9) Cl.** ..... **24-01**

(52) **U.S. Cl.** ..... **D24/164**

(58) **Field of Classification Search** ..... D24/107,  
D24/110, 110.6, 111, 115, 127, 131, 162,  
D24/164, 216, 217, 231; 128/200.24, 204.22,  
128/205.27–205.29; 95/131; 206/7

See application file for complete search history.

(56) **References Cited**

**U.S. PATENT DOCUMENTS**

- D109,355 S \* 4/1938 Temple ..... D24/110
- 2,386,092 A 10/1945 Cornish
- D194,033 S 11/1962 Graham et al.
- D198,232 S 5/1964 Maier et al.
- D209,885 S \* 1/1968 Mahon et al. .... D24/110
- 3,451,738 A 6/1969 Hobson
- 4,053,193 A 10/1977 Grover et al.
- D252,820 S 9/1979 Olson
- 4,475,322 A 10/1984 Russo et al.
- D287,624 S 1/1987 Landan et al.

- 4,836,486 A 6/1989 Vossoughi et al.
- 5,107,636 A 4/1992 Schindele et al.
- 5,184,601 A 2/1993 Putman
- D361,379 S \* 8/1995 Sancoff et al. .... D24/111
- D384,415 S \* 9/1997 Maloney et al. .... D24/162
- D386,158 S 11/1997 Rosen et al.
- 5,826,575 A \* 10/1998 Lall ..... 128/205.12

(Continued)

**FOREIGN PATENT DOCUMENTS**

WO WO 2009/062547 A1 5/2009

**OTHER PUBLICATIONS**

“U.S. Appl. No. 29/318,052 Notice of Allowance mailed Aug. 4, 2010”, 4 pgs.

(Continued)

*Primary Examiner* — Mary Ann Calabrese

(74) *Attorney, Agent, or Firm* — Schwegman, Lundberg & Woessner, P.A.

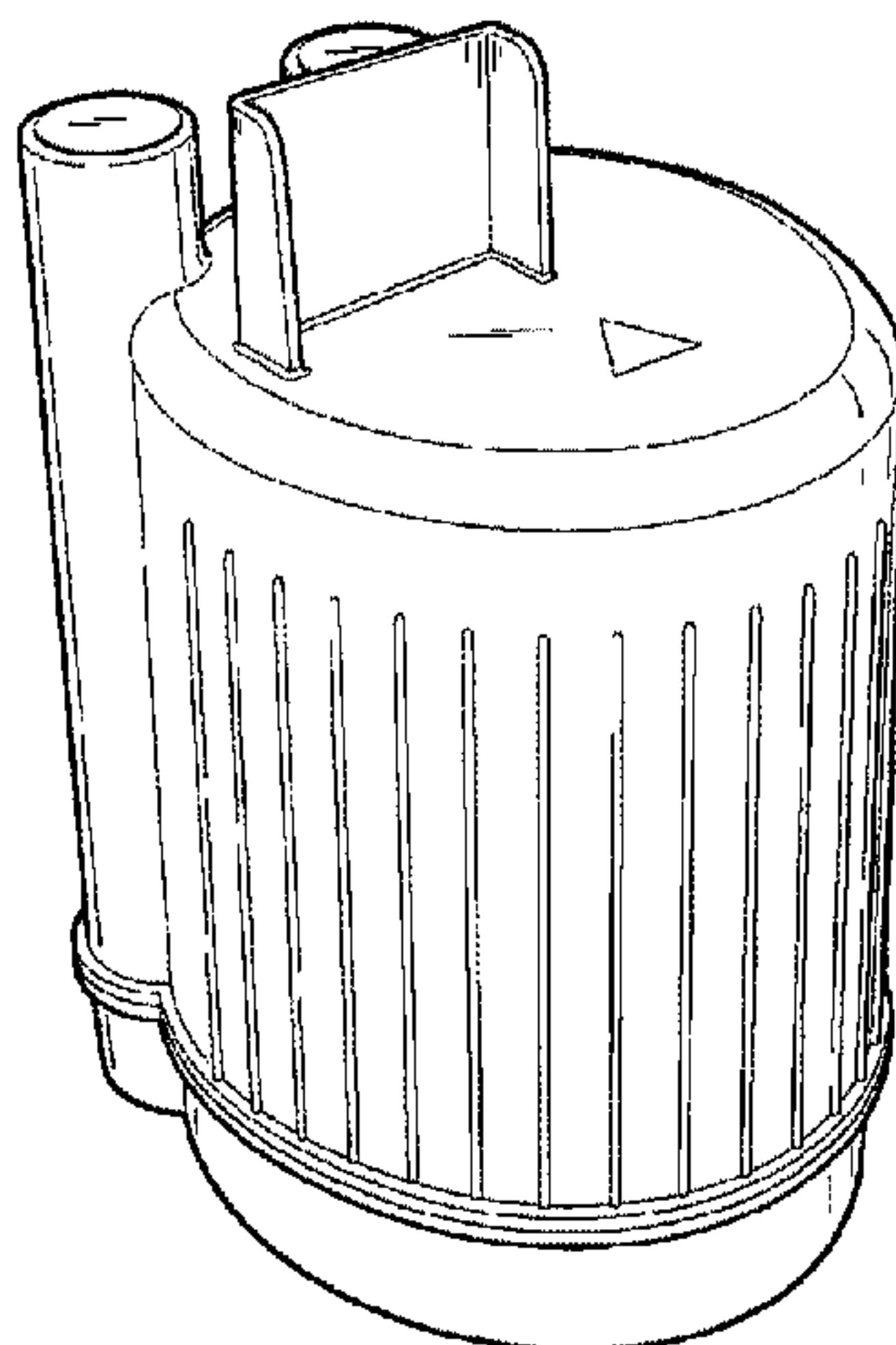
(57) **CLAIM**

The ornamental design for an absorber of a medical device, as shown and described.

**DESCRIPTION**

FIG. 1 is a front, top, left side perspective view of an absorber of a medical device showing our new design;  
 FIG. 2 is a front view thereof;  
 FIG. 3 is a right side view thereof;  
 FIG. 4 is a left side view thereof;  
 FIG. 5 is a rear view thereof, with the broken lines being portions of the absorber of a medical device that form no part of the claimed design;  
 FIG. 6 is a top, plan view thereof; and,  
 FIG. 7 is a bottom, plan view thereof, with the broken lines being portions of the absorber of a medical device that form no part of the claimed design.

**1 Claim, 3 Drawing Sheets**



# US D634,429 S

Page 2

## U.S. PATENT DOCUMENTS

5,878,536 A 3/1999 Demmitt et al.  
5,893,944 A \* 4/1999 Dong ..... 96/114  
6,096,025 A 8/2000 Borders  
D434,502 S 11/2000 Gallant  
D435,852 S 1/2001 Oddsen  
6,179,263 B1 1/2001 Rosen et al.  
6,296,689 B1 \* 10/2001 Zhang et al. .... 95/131  
D452,911 S \* 1/2002 Danielsson ..... D24/110  
D453,830 S \* 2/2002 McDowell et al. .... D24/111  
D472,636 S \* 4/2003 Haynes ..... D24/162  
D486,915 S 2/2004 Warschewske et al.  
D493,220 S \* 7/2004 Burge et al. .... D24/110  
D497,989 S \* 11/2004 Myrick et al. .... D24/110.6  
D517,768 S 3/2006 Arceta  
D532,953 S 11/2006 Lauer et al.  
D534,746 S 1/2007 Rossini et al.  
D556,972 S 12/2007 Whiteside et al.  
D559,662 S 1/2008 Sculler et al.  
D570,068 S 5/2008 Dukes  
D576,373 S 9/2008 Whiteside et al.  
D592,669 S 5/2009 Malisse et al.  
D594,622 S 6/2009 Kissun  
D600,873 S 9/2009 Banasik et al.  
D602,342 S 10/2009 Brassard  
D610,323 S 2/2010 Saladino  
2005/0151336 A1 7/2005 Neuman  
2006/0060735 A1 3/2006 Oddsen et al.

2006/0103092 A1 5/2006 Strahler et al.  
2007/0272245 A1 \* 11/2007 Ripple et al. .... 128/205.28  
2008/0251395 A1 \* 10/2008 Defedericis ..... 206/7  
2009/0015116 A1 1/2009 Arceta et al.  
2009/0070936 A1 3/2009 Henderson et al.  
2009/0173860 A1 7/2009 Remy  
2010/0060114 A1 3/2010 Baird

## OTHER PUBLICATIONS

"U.S. Appl. No. 29/318,052, Non-Final Office Action mailed Mar. 17, 2010", 6 pgs.  
"U.S. Appl. No. 29/318,052, Response filed Jan. 22, 2010 to Restriction Requirement mailed Nov. 25, 2009", 5 pgs.  
"U.S. Appl. No. 29/318,052, Response filed Jul. 19, 2010 to Non Final Office Action mailed Mar. 17, 2010", 5 pgs.  
"U.S. Appl. No. 29/318,052, Restriction Requirement mailed Nov. 25, 2009", 5 pgs.  
"U.S. Appl. No. 29/356,401, Non-Final Office Action mailed May 26, 2010", 5 pgs.  
"U.S. Appl. No. 29/356,401, Notice of Allowance mailed Sep. 15, 2010", 4 pgs.  
"U.S. Appl. No. 29/356,401, Response filed Aug. 25, 2010 to Non Final Office Action mailed May 26, 2010", 5 pgs.  
"U.S. Appl. No. 29/356,402, Notice of Allowance mailed Jun. 17, 2010", 6 pgs.  
"U.S. Appl. No. 29/356,405, Notice of Allowance mailed Jul. 15, 2010", 7 pgs.

\* cited by examiner

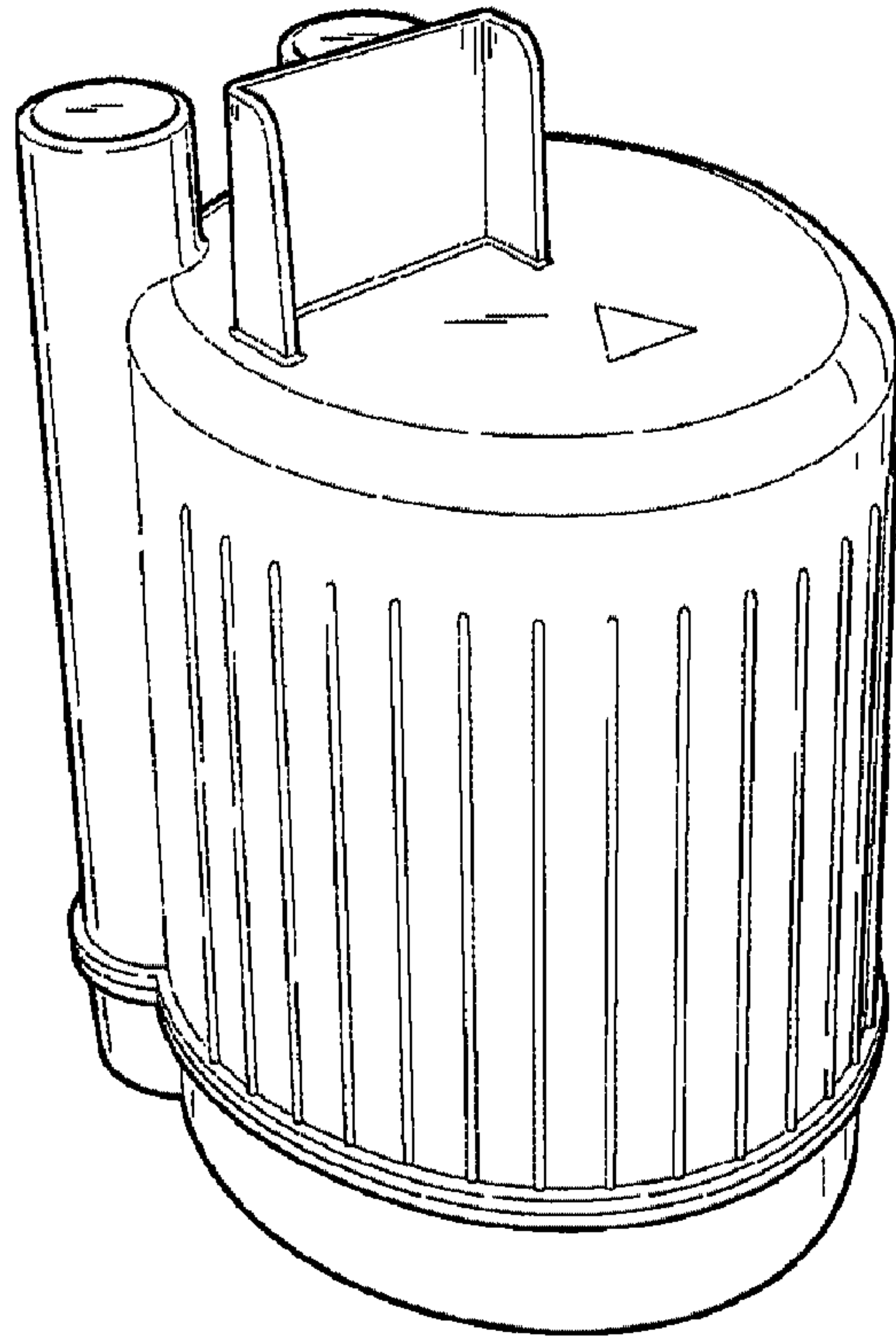


FIG. 1

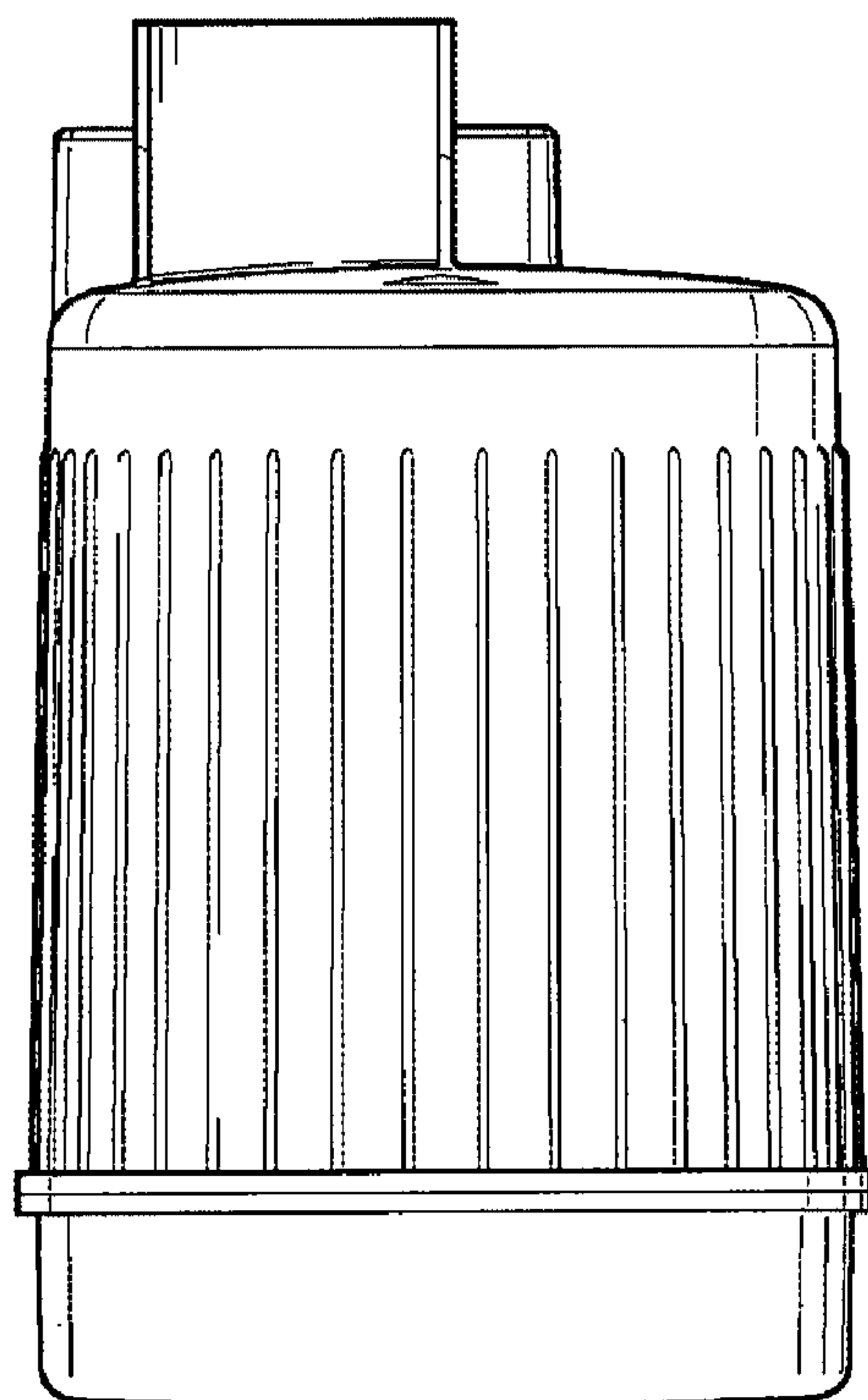


FIG. 2

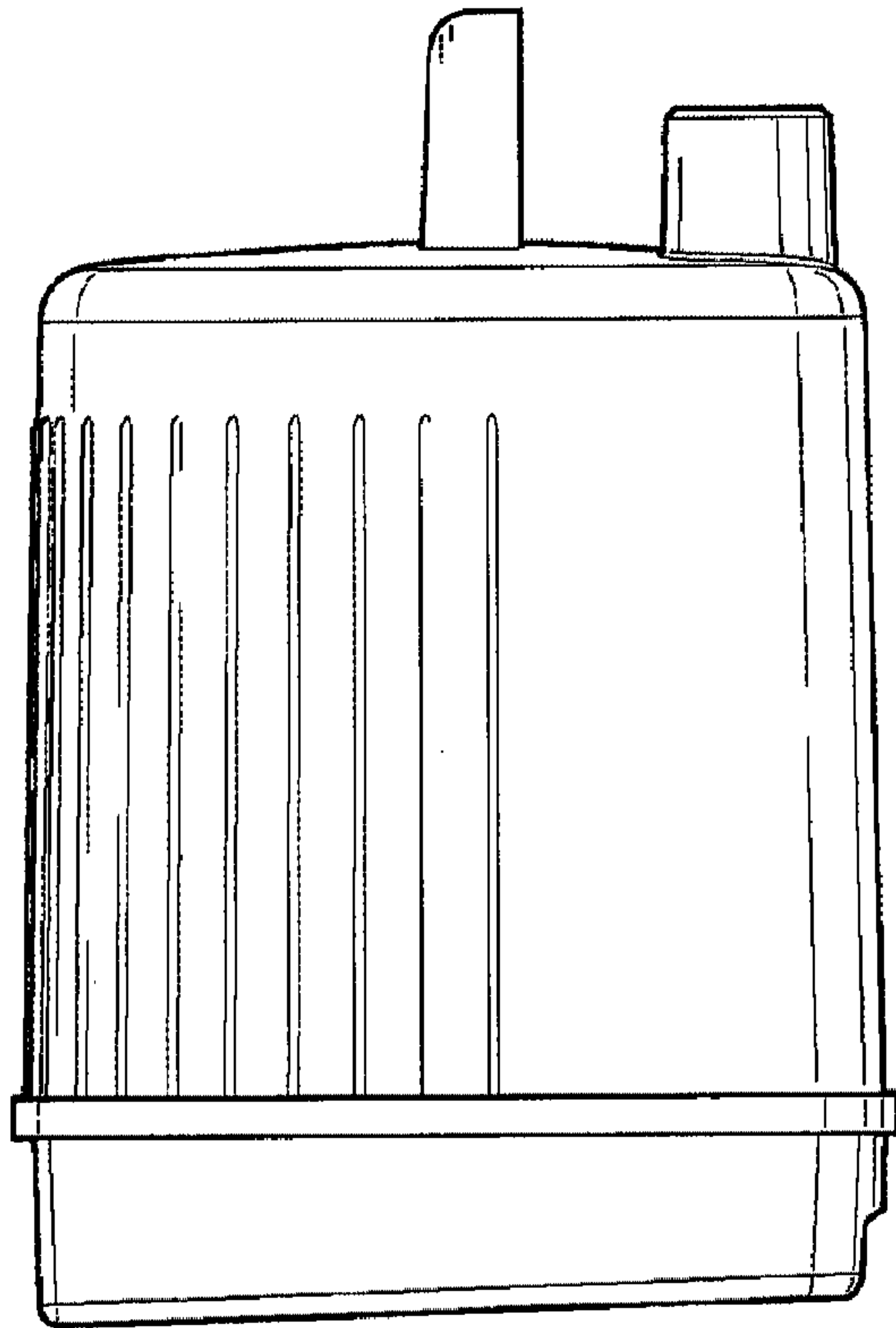


FIG. 3

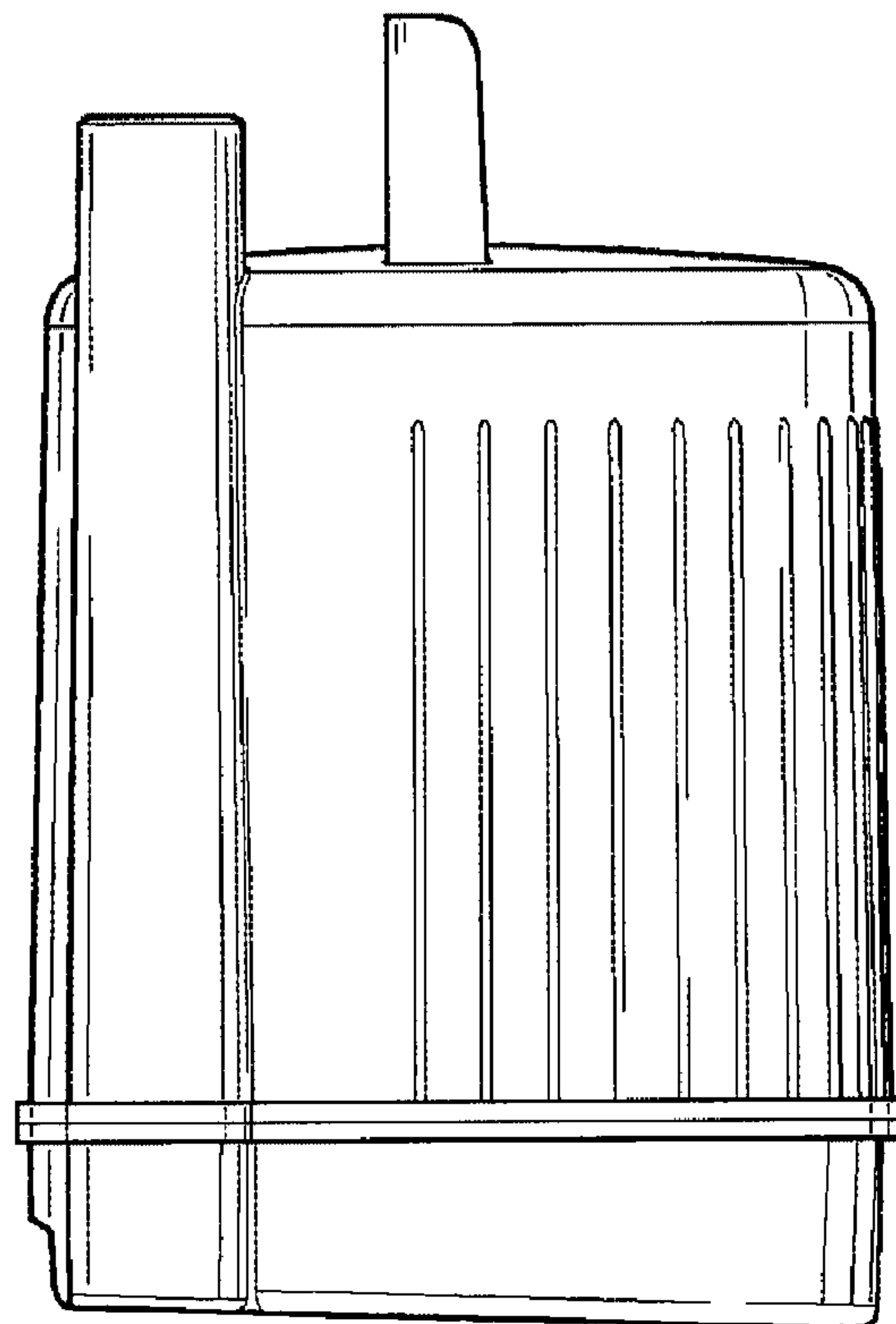


FIG. 4

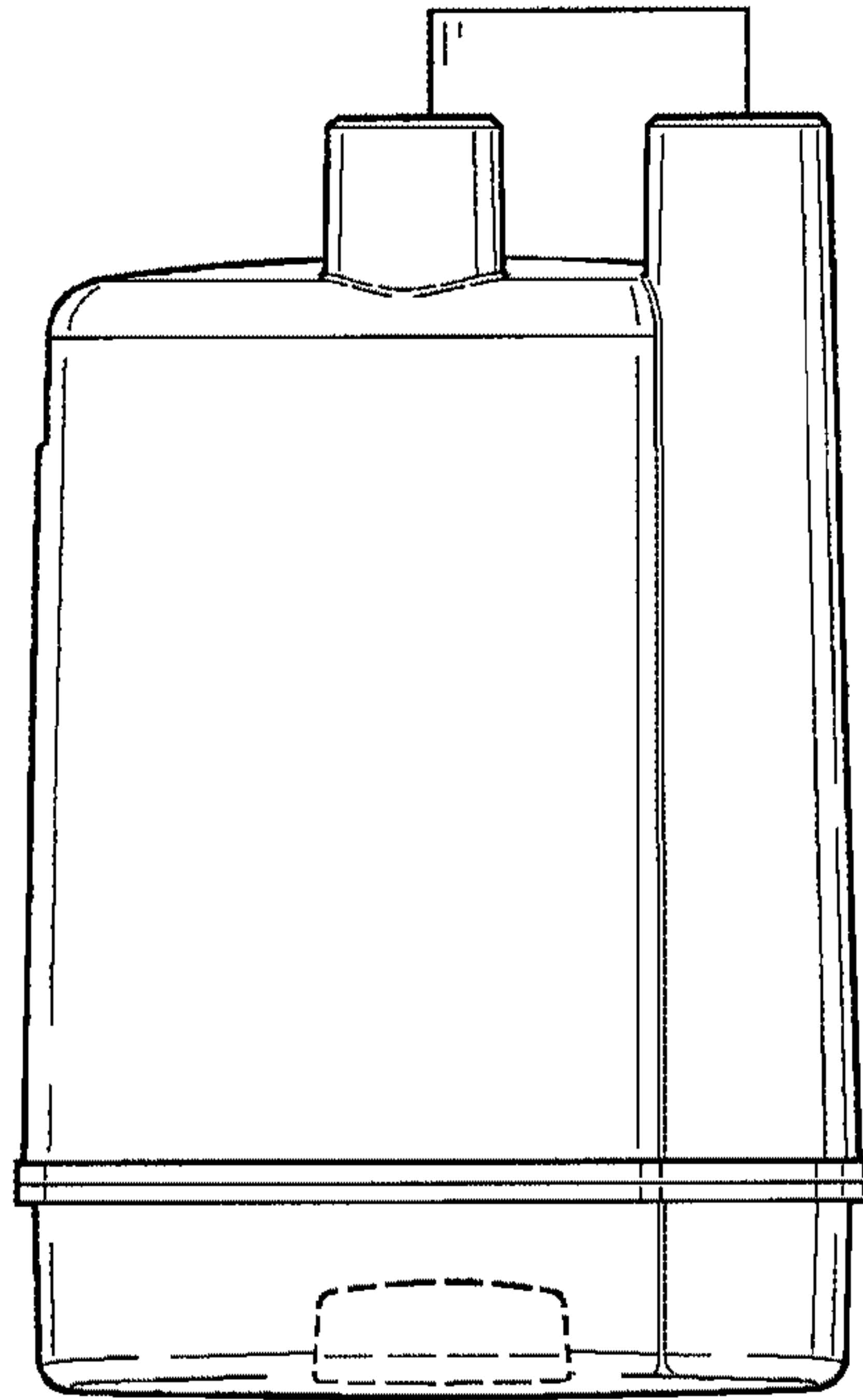


FIG. 5

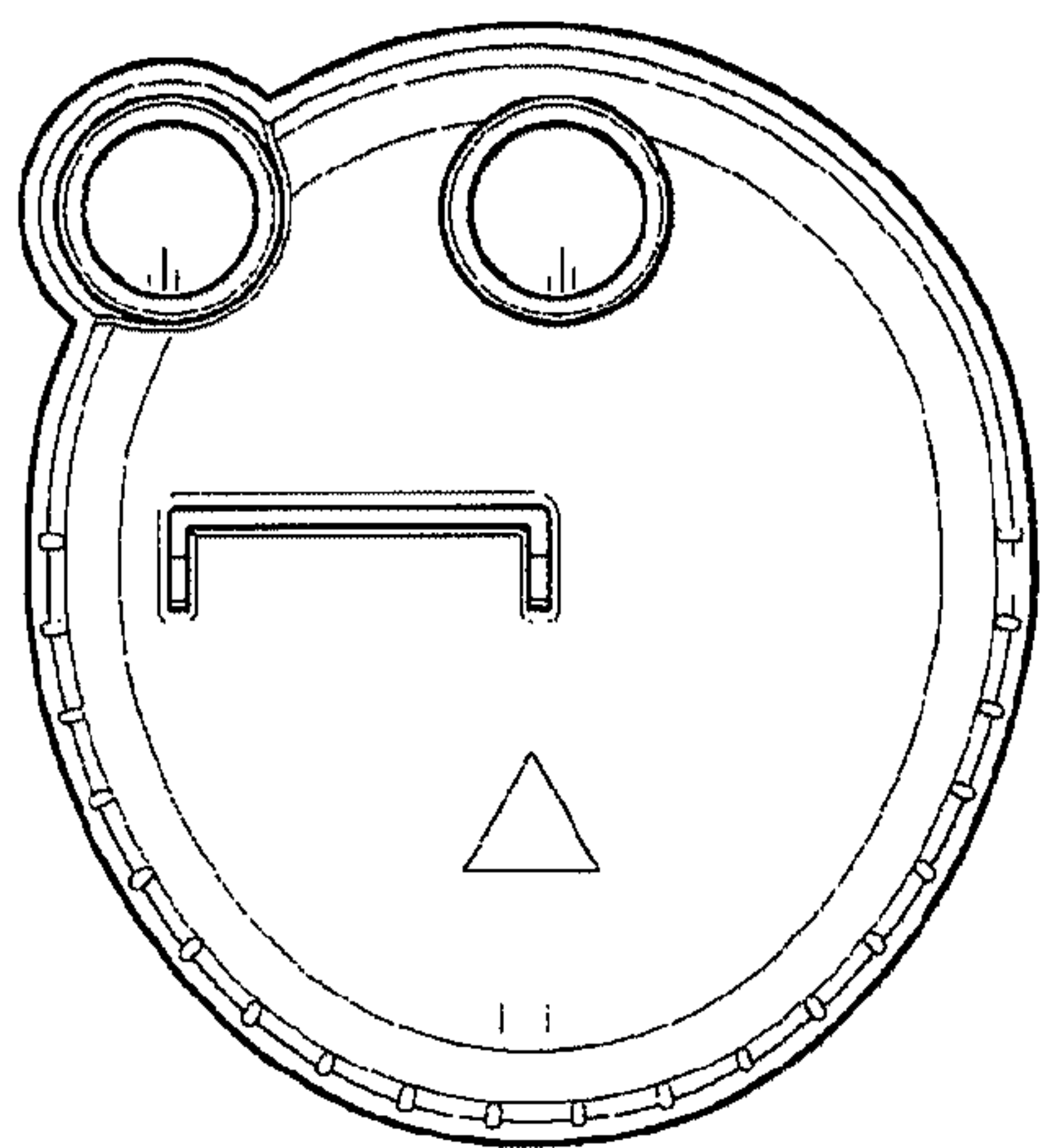


FIG. 6

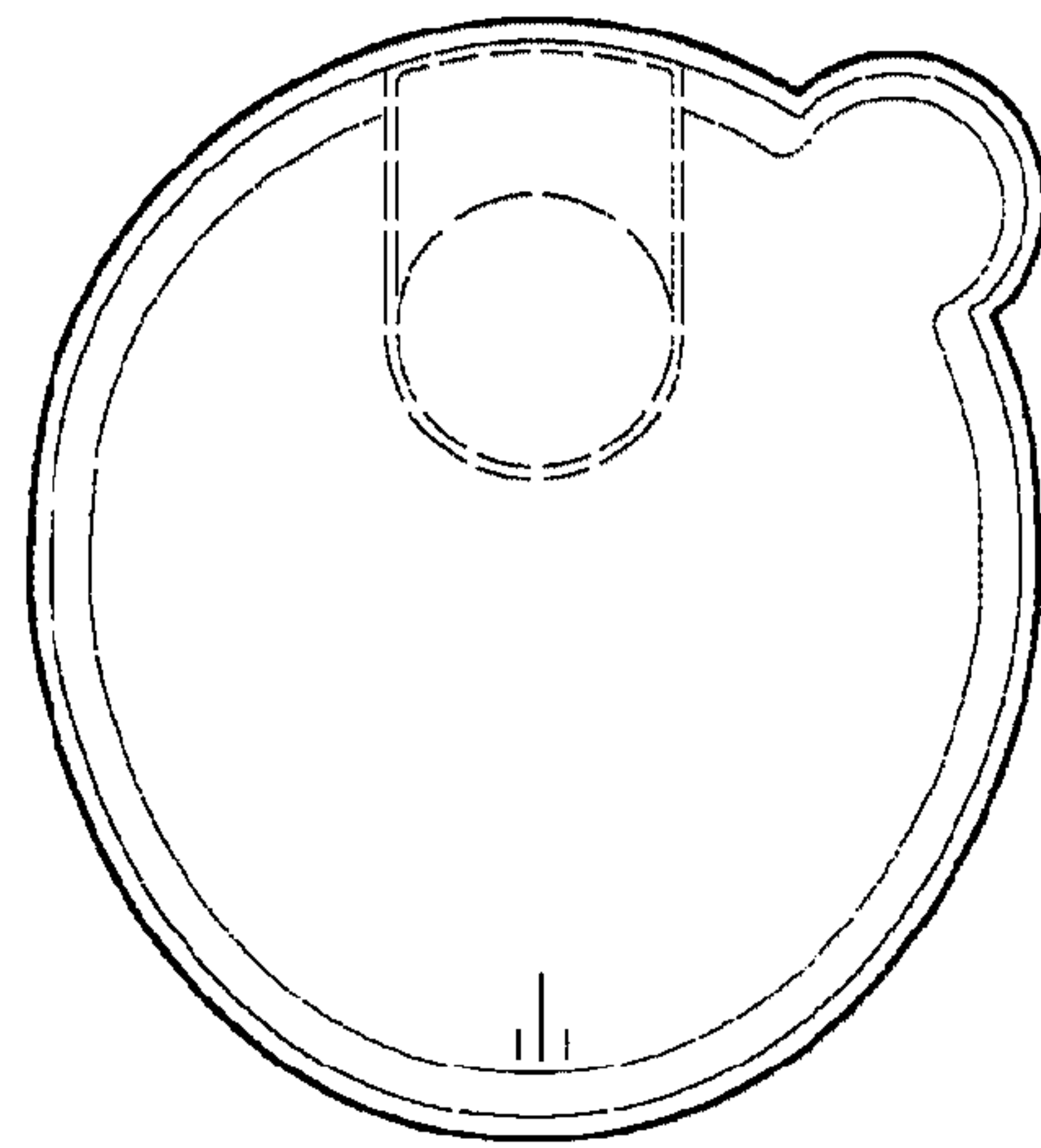


FIG. 7