



US00D634428S

(12) **United States Design Patent**
Anderson et al.

(10) **Patent No.:** **US D634,428 S**
(45) **Date of Patent:** **** Mar. 15, 2011**

(54) **EQUINE DENTAL LIGHT**

(75) Inventors: **Mark L. Anderson**, Spring Valley, WI (US); **Jim Wait**, Colfax, WI (US); **Mark Toycen**, Colfax, WI (US)

(73) Assignee: **Mark L. Anderson**

(**) Term: **14 Years**

(21) Appl. No.: **29/352,438**

(22) Filed: **Dec. 21, 2009**

(51) **LOC (9) Cl.** **24-02**

(52) **U.S. Cl.** **D24/152**

(58) **Field of Classification Search** D24/152,
D24/210, 176-177, 180, 182, 156, 133; D26/37-38,
D26/113, 120, 61; 433/1, 29, 32; D30/138,
D30/199; 119/859, 174, 650, 833; 362/804,
362/267, 270, 300, 310, 296.05, 311.02,
362/311.06; 600/241, 245; 607/1, 88, 99,
607/145, 150

See application file for complete search history.

(56) **References Cited**

U.S. PATENT DOCUMENTS

D247,756	S	*	4/1978	Nagelkerke	D24/210
4,364,104	A	*	12/1982	Holahan et al.	D26/37
4,592,344	A	*	6/1986	Scheer	600/245
D360,685	S	*	7/1995	Olsson et al.	D24/176
6,733,290	B2	*	5/2004	West et al.	433/29
7,172,415	B2	*	2/2007	Harvey et al.	433/1
D543,280	S	*	5/2007	Khubani	D24/152

OTHER PUBLICATIONS

Speculum Lights "Spec BiteLite™", 1 page. Retrieved on Oct. 28, 2010. <URL> [http://www.harltens.com/speculums_\\$_restraint.htm](http://www.harltens.com/speculums_$_restraint.htm).*

Google Image Result for http://www.shopmedvet.com/images/uploads/11847_10200_large.jpg. 1 page. Retrieved on Oct. 28, 2010.*

Google Image Result for http://www.instconcept.co.uk/equine/images/light_thumb.jpg. 1 page. Retrieved on Oct. 28, 2010.*

* cited by examiner

Primary Examiner — Ian Simmons

Assistant Examiner — Wan Laymon

(74) *Attorney, Agent, or Firm* — Skinner and Associates

(57) **CLAIM**

The ornamental design for an equine dental light, as shown and described.

DESCRIPTION

FIG. 1 is a top and front perspective view of an equine dental light showing our invention.

FIG. 2 is a bottom and front perspective view thereof.

FIG. 3 is a back view thereof.

FIG. 4 is a top view thereof.

FIG. 5 is a front view thereof.

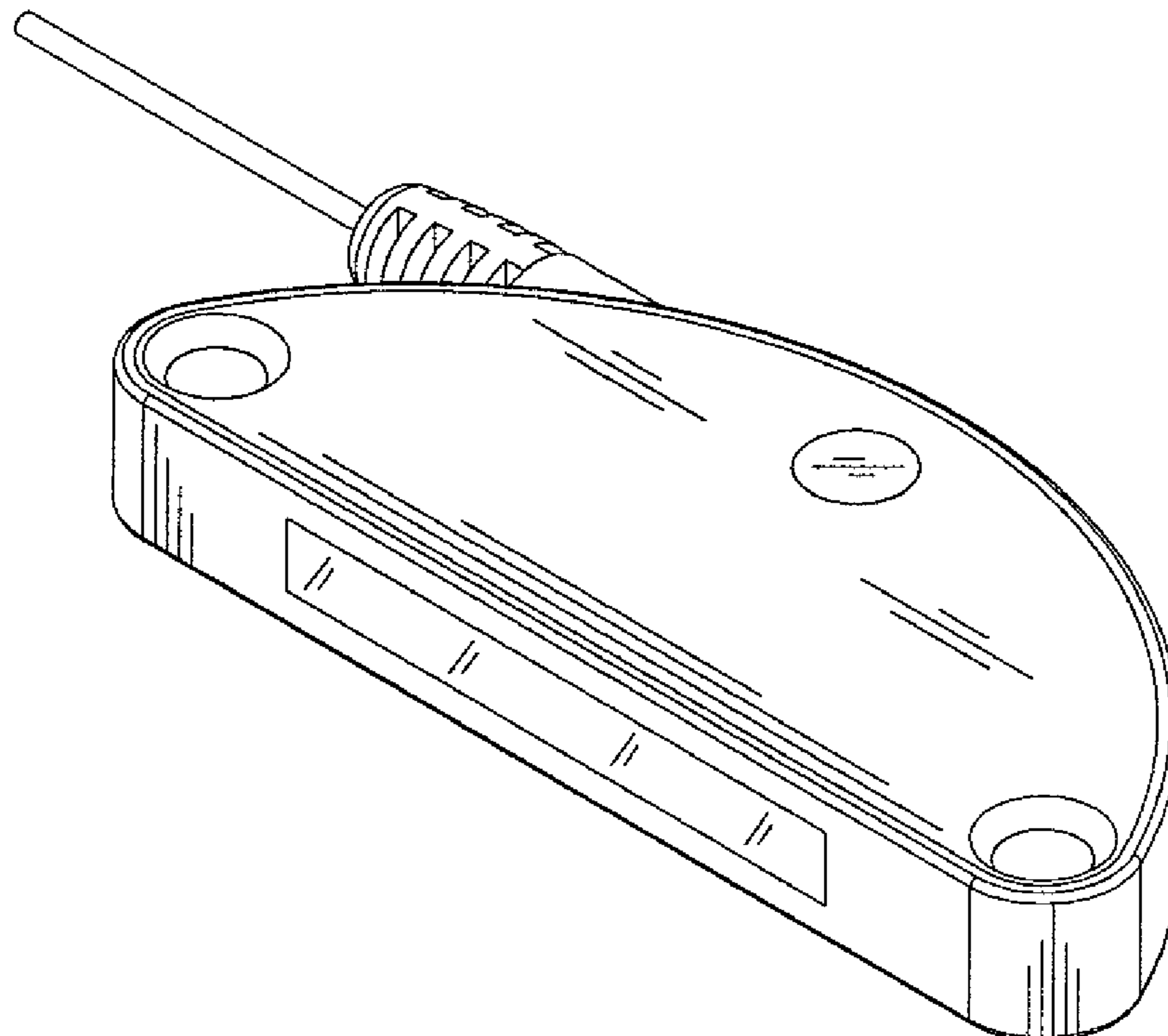
FIG. 6 is a bottom view thereof.

FIG. 7 is a first end view thereof; and,

FIG. 8 is a second end view thereof.

The design is for a light that attaches to the bite plate of an equine dental speculum.

1 Claim, 3 Drawing Sheets



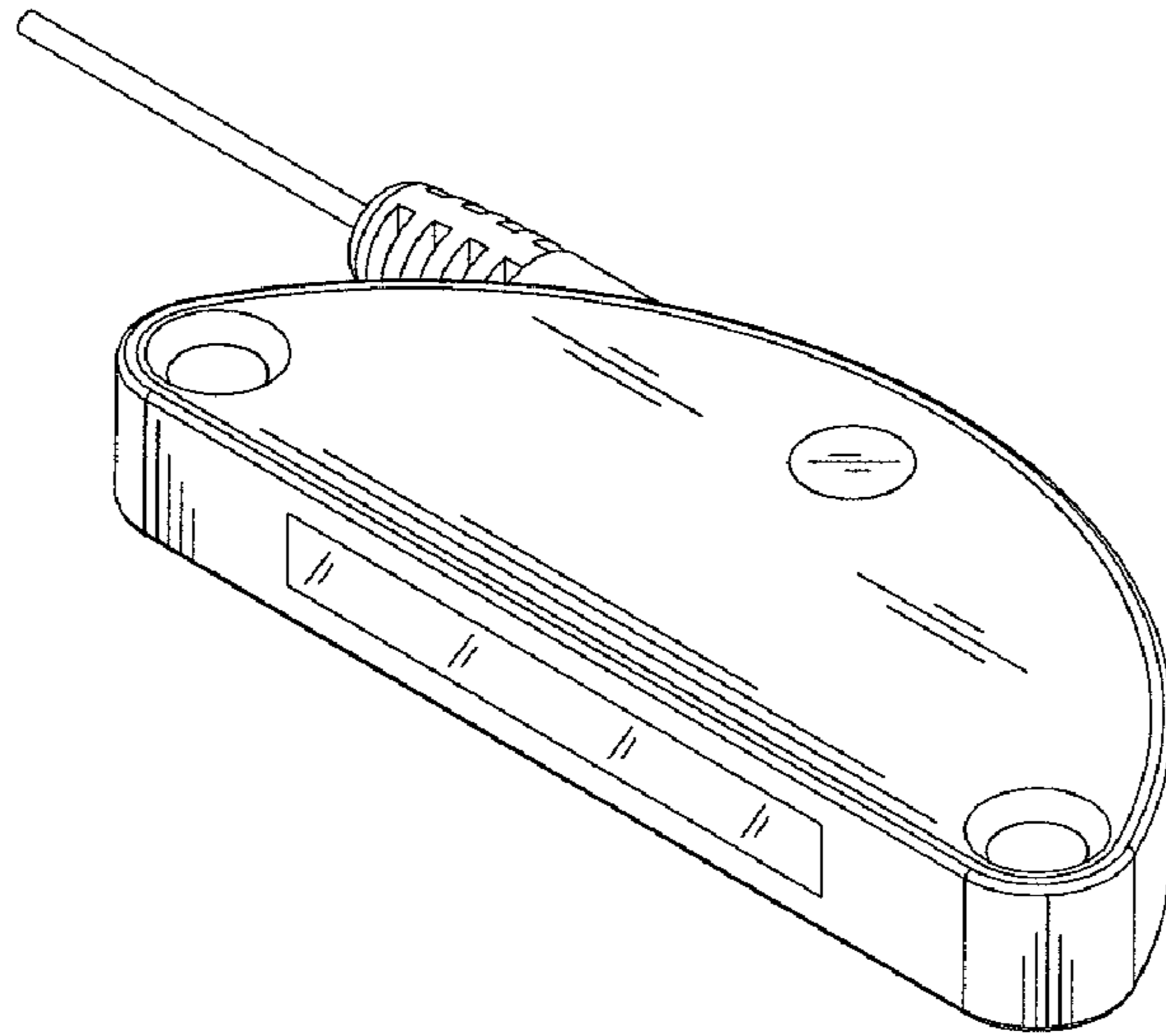


FIG. 1

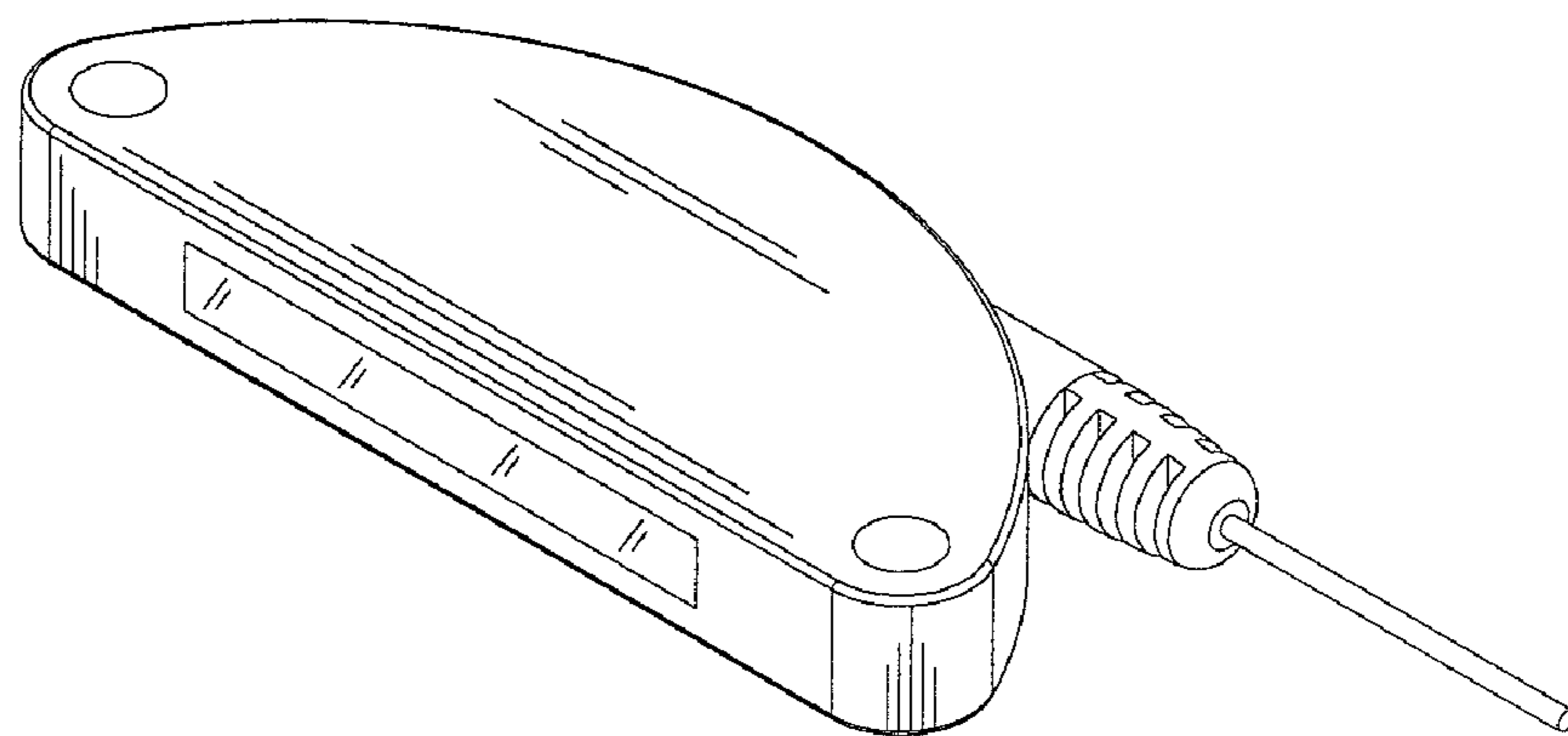


FIG. 2

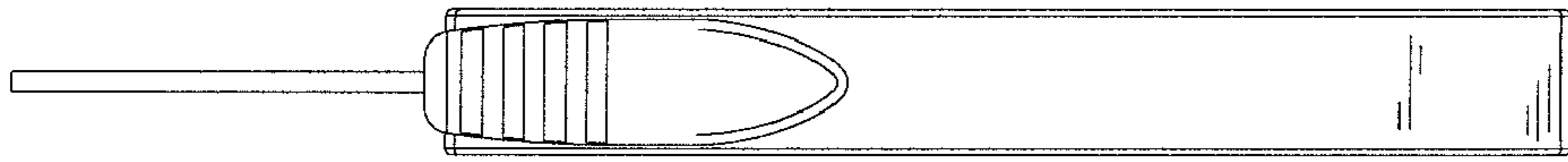


FIG. 3

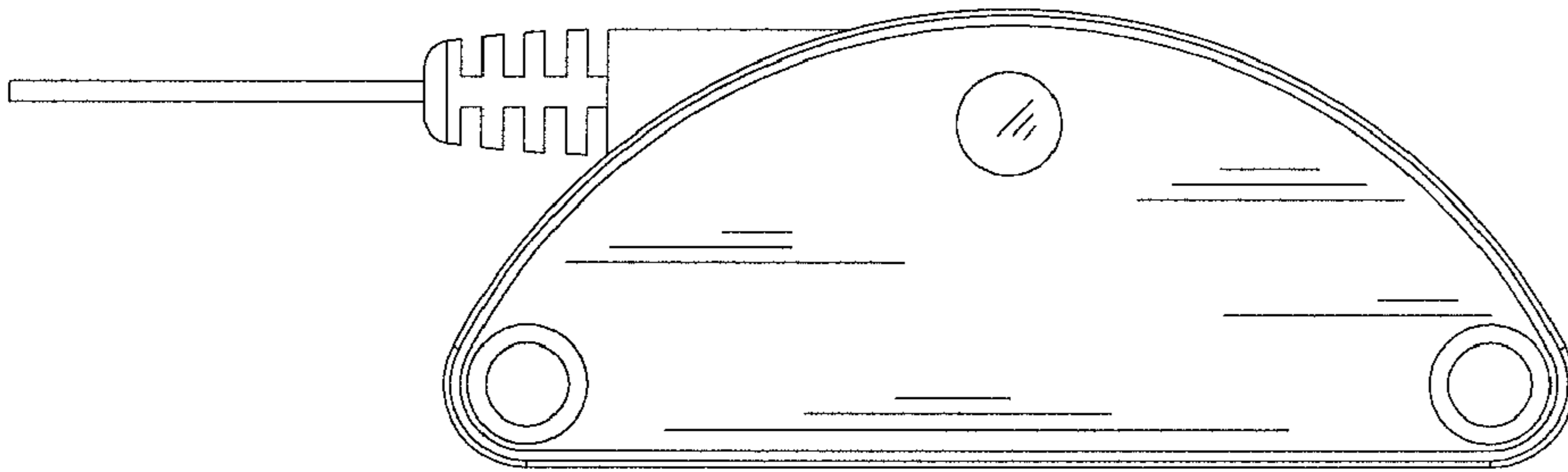


FIG. 4

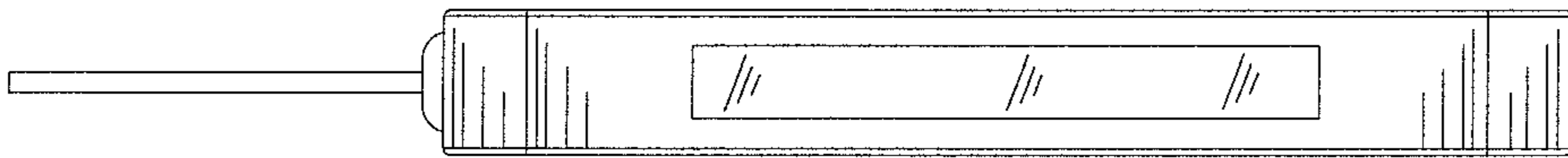


FIG. 5

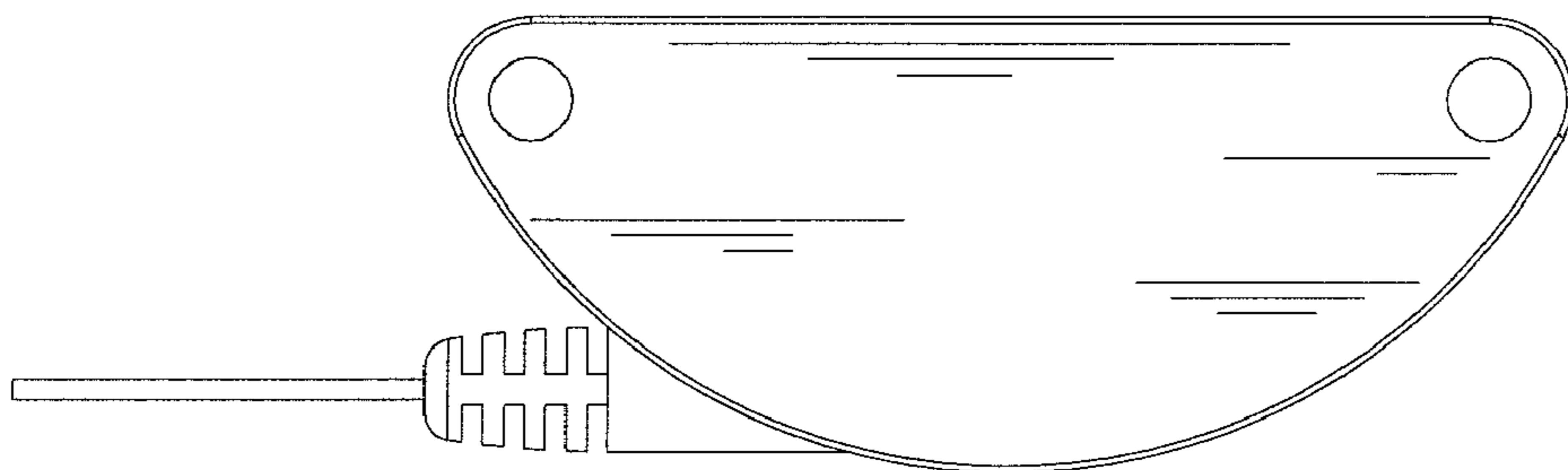


FIG. 6

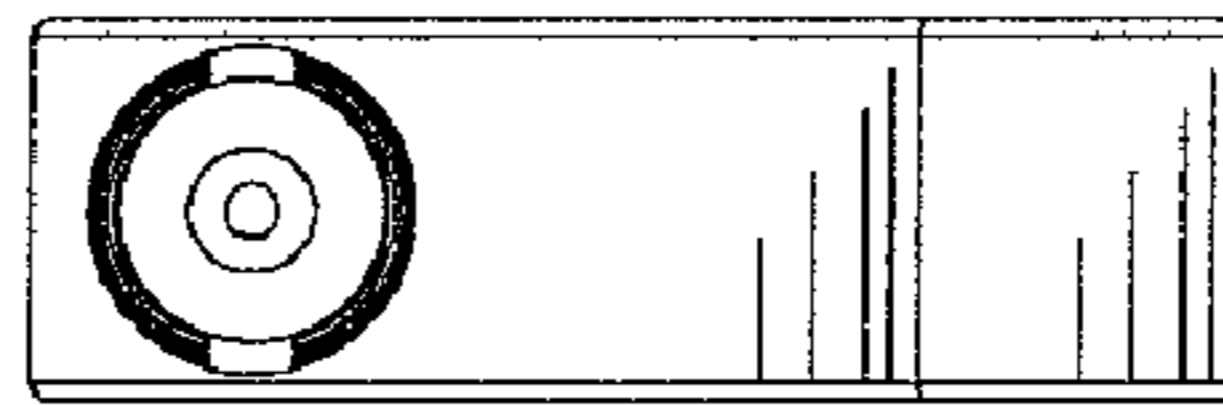


FIG. 7



FIG. 8