



US00D634427S

(12) **United States Design Patent**
Nishimura

(10) **Patent No.:** **US D634,427 S**
(45) **Date of Patent:** **** Mar. 15, 2011**

(54) **TREATING INSTRUMENT FOR AN ENDOSCOPE**

(75) Inventor: **Miyuki Nishimura**, Okaya (JP)

(73) Assignee: **River Seiko Limited Company**, Okaya-Shi, Nagano (JP)

(**) Term: **14 Years**

(21) Appl. No.: **29/347,823**

(22) Filed: **Jun. 17, 2010**

(30) **Foreign Application Priority Data**

Mar. 4, 2010 (JP) 2010-005291

(51) **LOC (9) Cl.** **24-02**

(52) **U.S. Cl.** **D24/148**

(58) **Field of Classification Search** D24/133,
D24/137, 141, 144, 146-148; 606/190, 166-170,
606/184; 600/101, 210, 129

See application file for complete search history.

(56) **References Cited**

U.S. PATENT DOCUMENTS

3,166,071 A * 1/1965 Mayer 606/120
D438,965 S * 3/2001 Porat D24/133

D535,027 S * 1/2007 James et al. D24/148
D538,932 S * 3/2007 Malik D24/143
D541,418 S * 4/2007 Schechter et al. D24/148
D590,944 S * 4/2009 Watanabe D24/143
D598,547 S * 8/2009 Stefan D24/143

* cited by examiner

Primary Examiner — Charles A Rademaker

Assistant Examiner — Carissa C Fitts

(74) *Attorney, Agent, or Firm* — Bacon & Thomas, PLLC

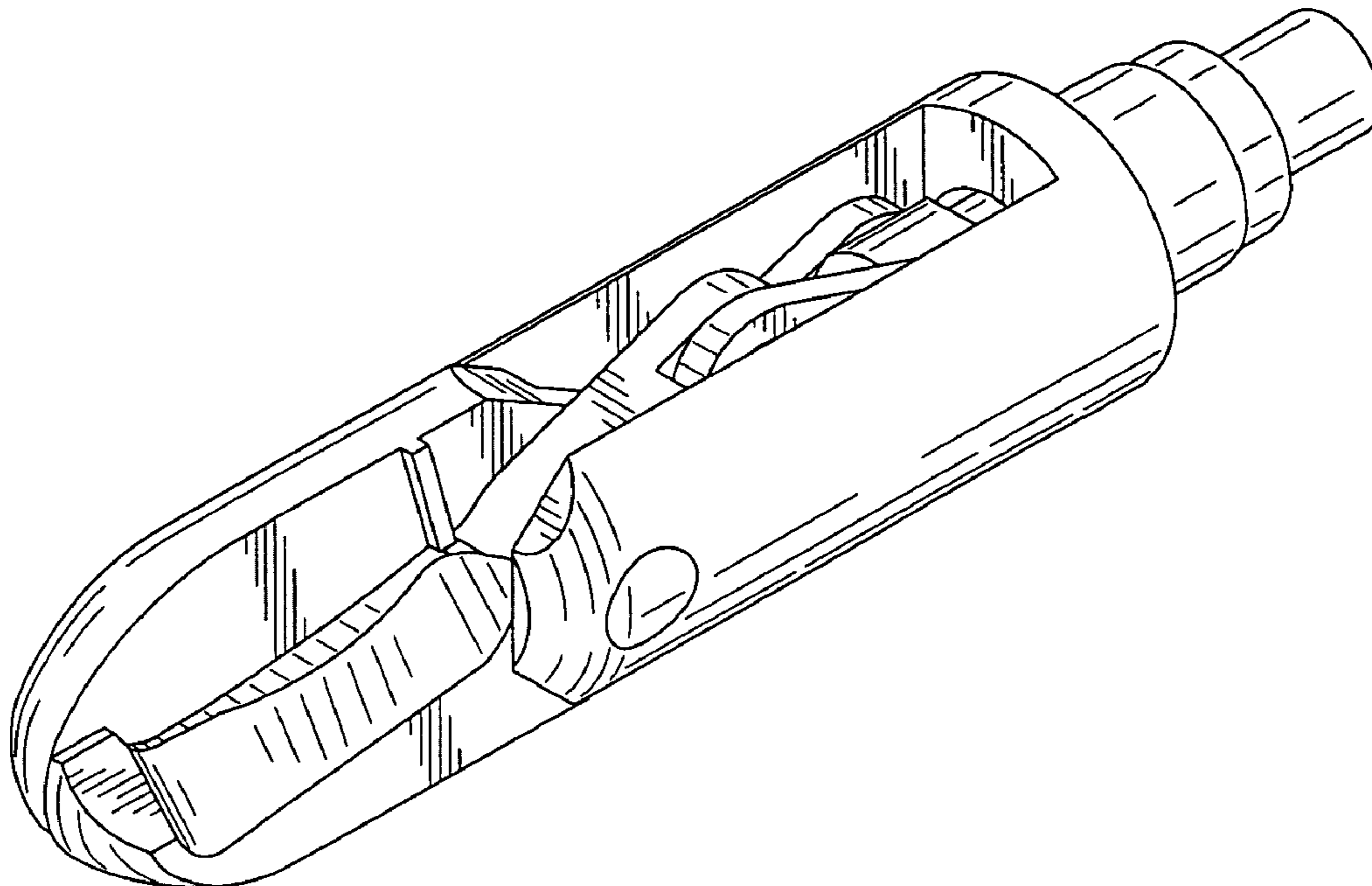
(57) **CLAIM**

The ornamental design for a treating instrument for an endoscope, as shown and described.

DESCRIPTION

FIG. 1 is a perspective view of a treating instrument for an endoscope embodying my new design;
FIG. 2 is a front view thereof;
FIG. 3 is a rear view thereof;
FIG. 4 is a top plan view thereof;
FIG. 5 is a left side view thereof;
FIG. 6 is a right side view thereof;
FIG. 7 is a sectional view thereof taken from along 7—7;
FIG. 8 is a perspective view thereof in an open condition; and,
FIG. 9 is a front view thereof in an open state.

1 Claim, 3 Drawing Sheets



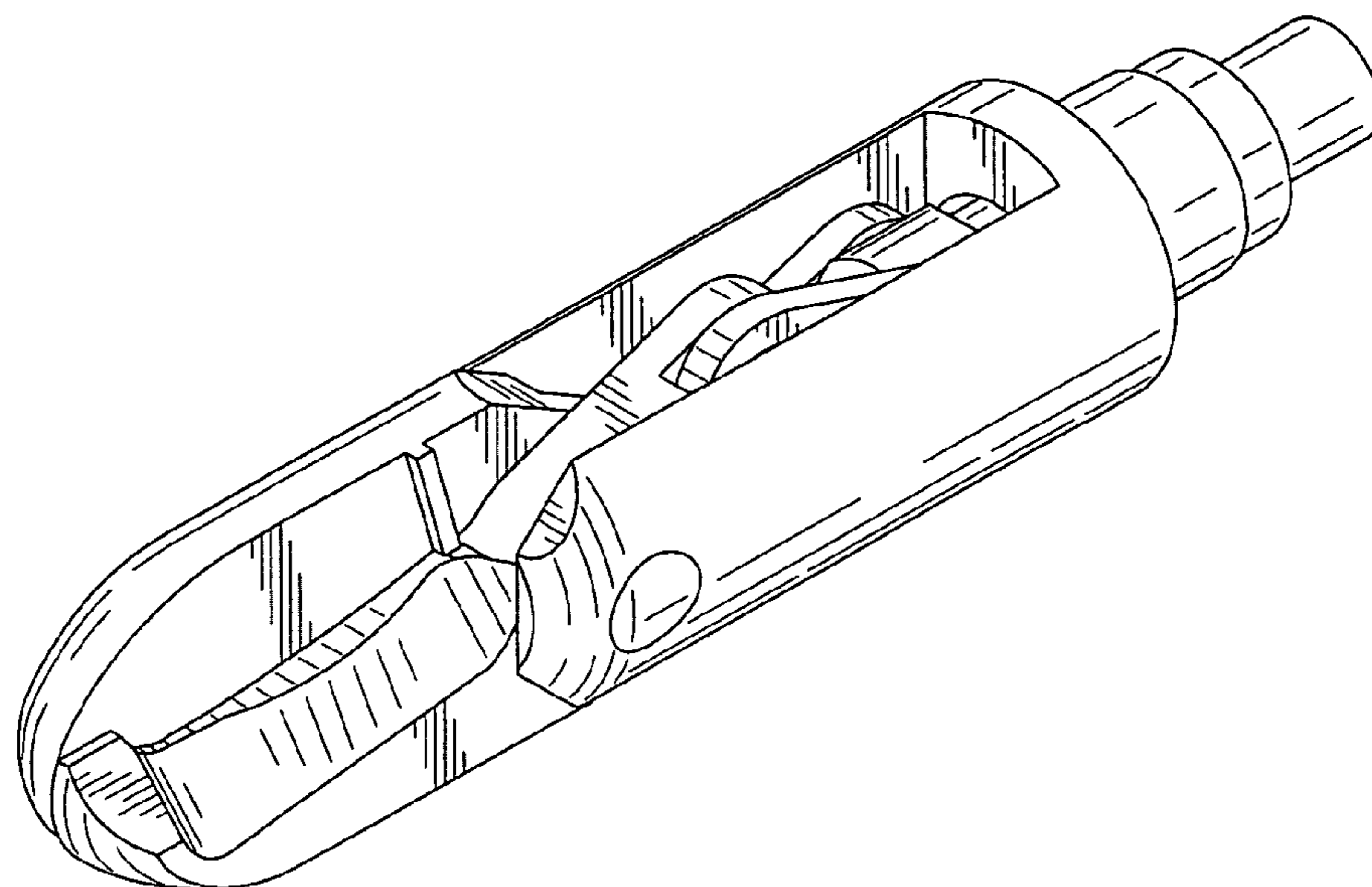


FIG. 1

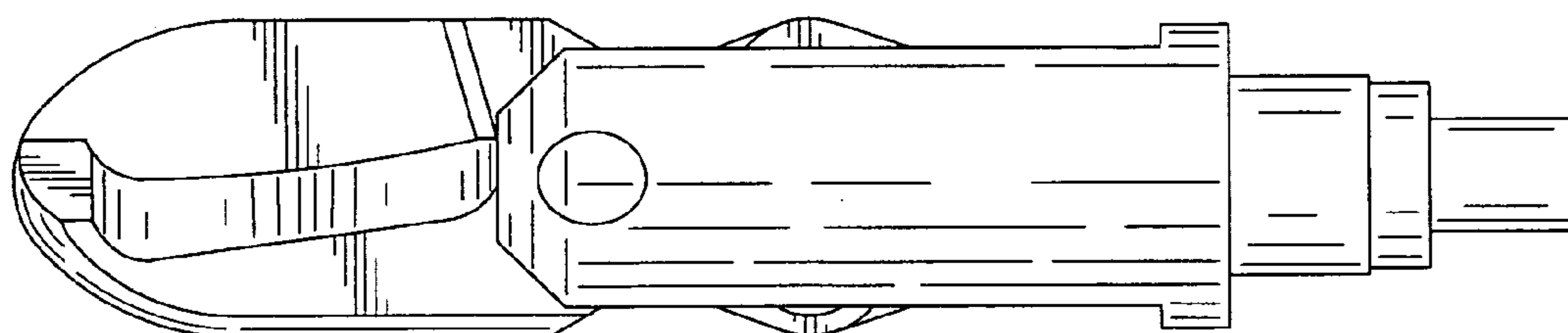


FIG. 2

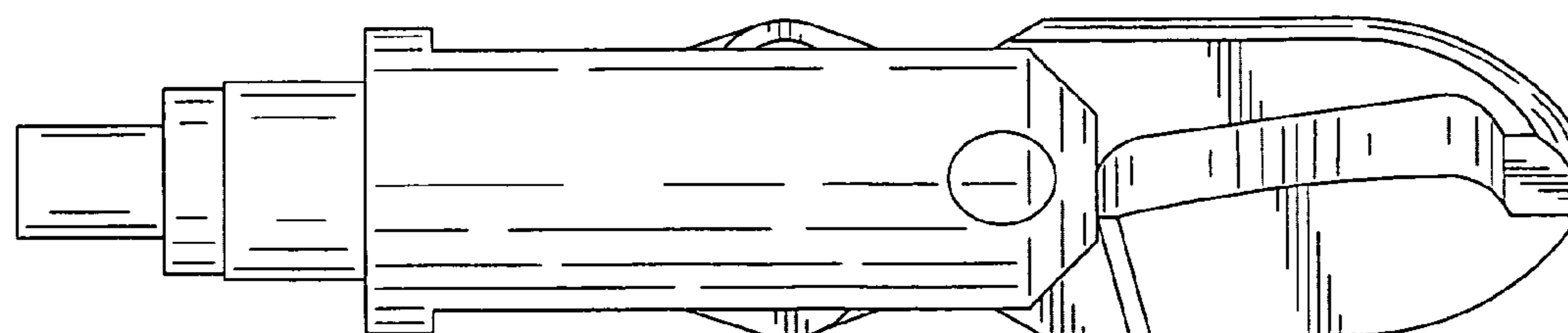


FIG. 3

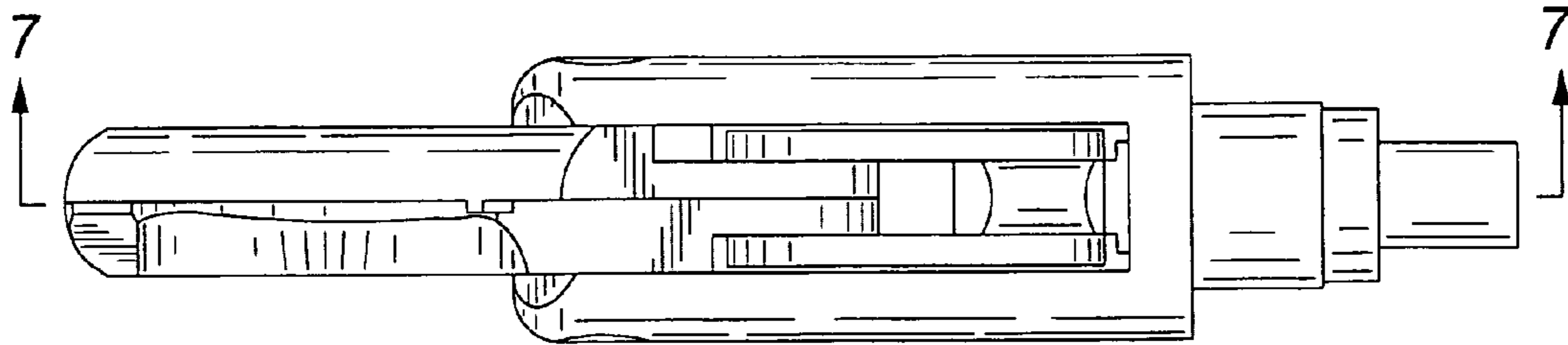


FIG. 4

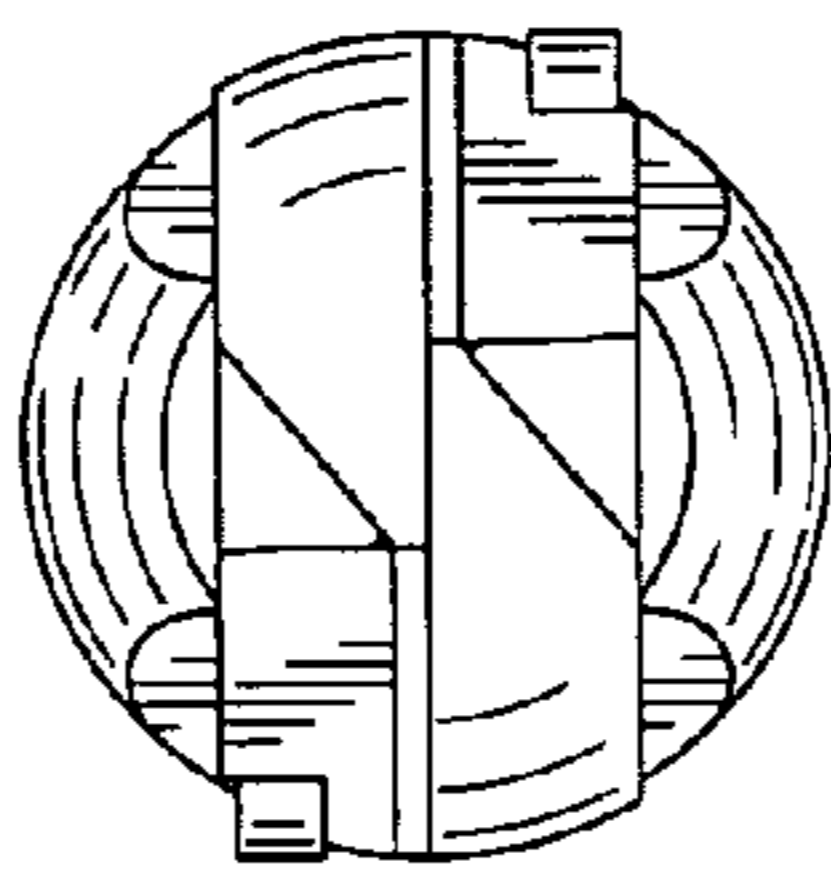


FIG. 5

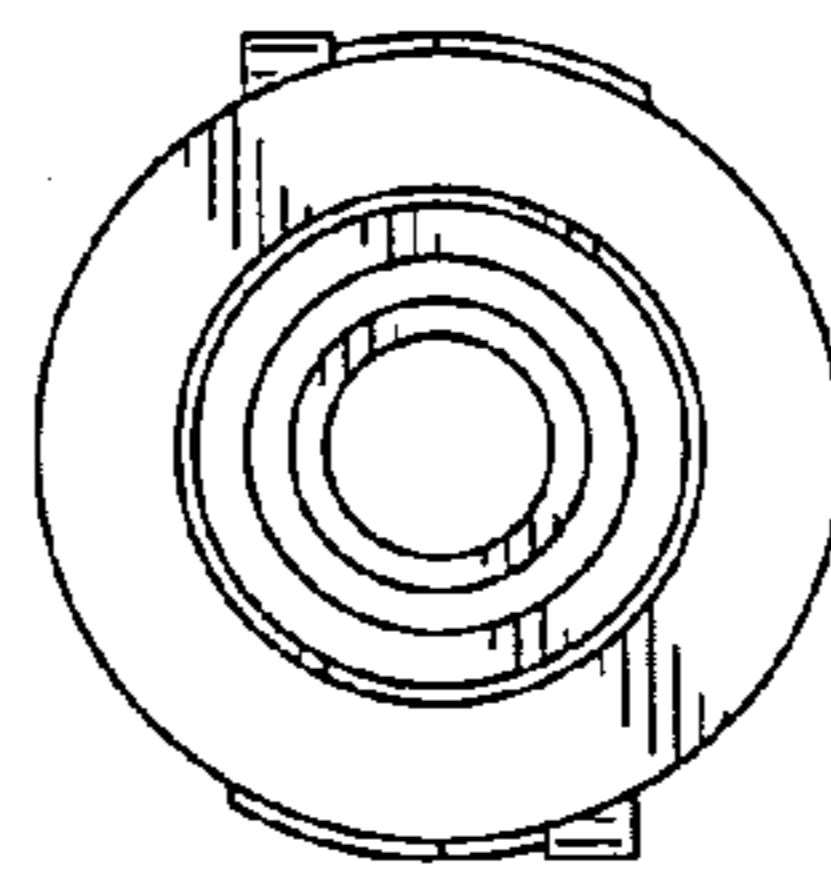


FIG. 6

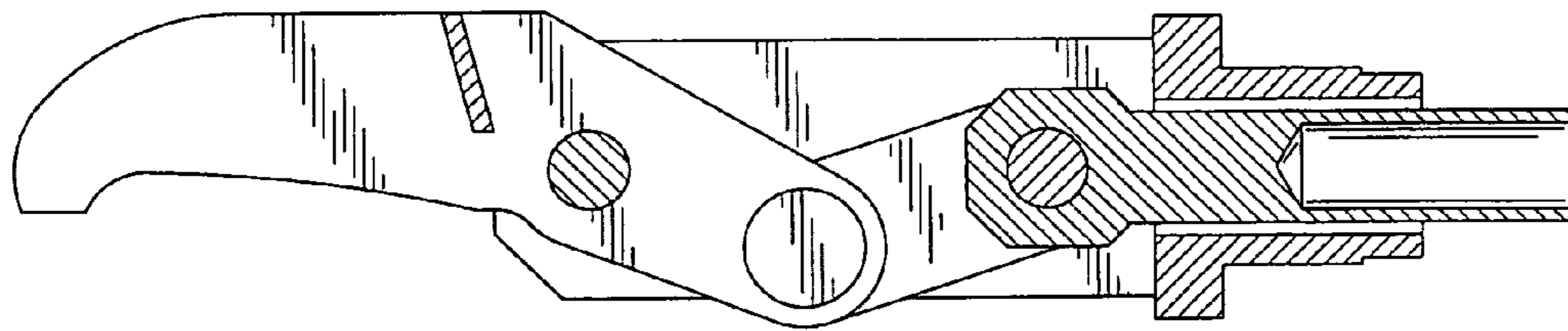


FIG. 7

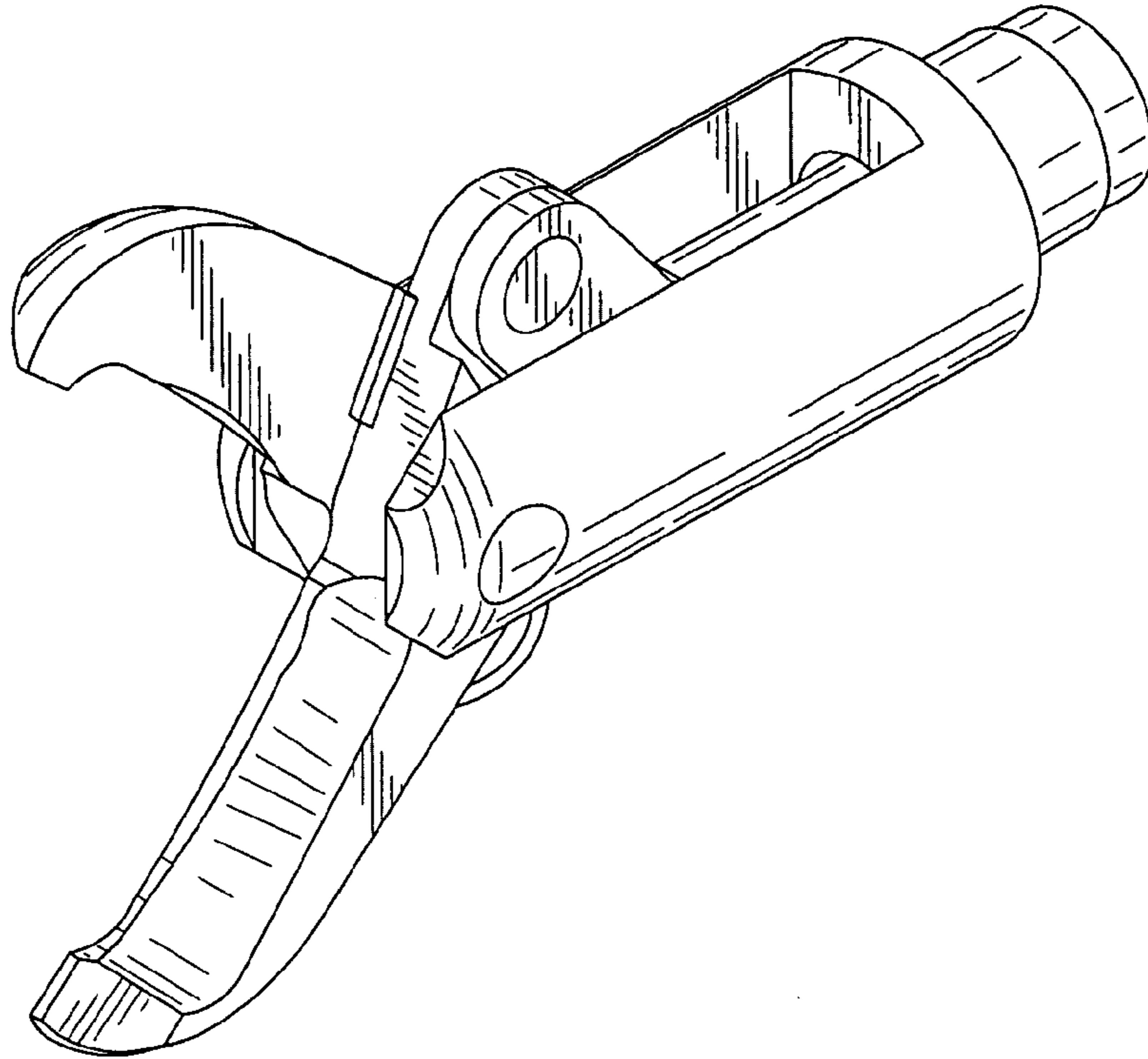


FIG. 8

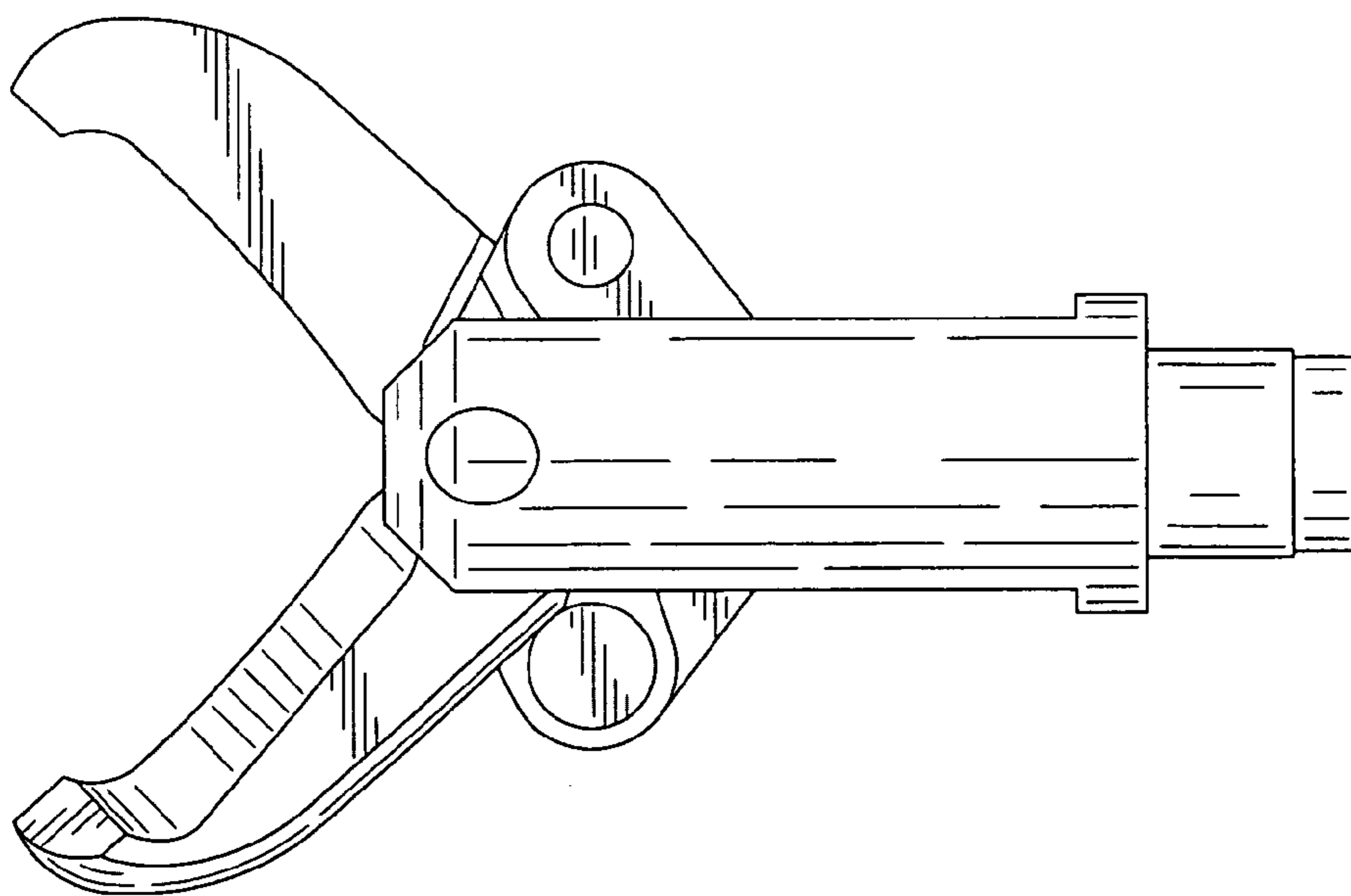


FIG. 9

UNITED STATES PATENT AND TRADEMARK OFFICE
CERTIFICATE OF CORRECTION

PATENT NO. : D634,427 S
APPLICATION NO. : 29/347823
DATED : March 15, 2011
INVENTOR(S) : Miyuki Nishimura

Page 1 of 1

It is certified that error appears in the above-identified patent and that said Letters Patent is hereby corrected as shown below:

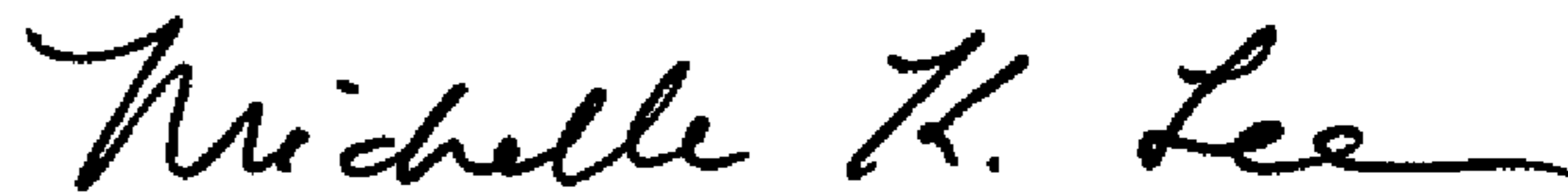
On the title page of the patent:

“(73) Assignee: River Seiko Limited Company, Okaya-Shi, Nagano (JP)”

should read:

--(73) Assignee: River Seiko Corporation, Okaya-Shi, Nagano (JP);
Kaneka Corporation, Osaka (JP)--

Signed and Sealed this
Twenty-ninth Day of March, 2016



Michelle K. Lee
Director of the United States Patent and Trademark Office

UNITED STATES PATENT AND TRADEMARK OFFICE
CERTIFICATE OF CORRECTION

PATENT NO. : D634,427 S
APPLICATION NO. : 29/347823
DATED : March 15, 2011
INVENTOR(S) : Miyuki Nishimura

Page 1 of 1

It is certified that error appears in the above-identified patent and that said Letters Patent is hereby corrected as shown below:

TITLE Page:

Reads --(73) Assignee: River Seiko Corporation, Okaya-Shi, Nagano (JP);
Kaneka Corporation, Osaka (JP)--

Should read --(73) Assignee: **River Seiko Limited Company,**
Okaya-Shi, Nagano (JP)--

Signed and Sealed this
Ninth Day of August, 2016



Michelle K. Lee
Director of the United States Patent and Trademark Office