



US00D634425S

(12) **United States Design Patent**
Watanabe et al.

(10) **Patent No.:** **US D634,425 S**
(45) **Date of Patent:** **** Mar. 15, 2011**

(54) **INSTRUMENT FOR REMOVING SCABS**
(75) Inventors: **Kazuhiro Watanabe**, Odate (JP); **Naoki Nakagawa**, Osaka (JP); **Yuki Hiraoka**, Osaka (JP)

(73) Assignee: **Nipro Corporation**, Osaka (JP)

(**) Term: **14 Years**

(21) Appl. No.: **29/344,172**

(22) Filed: **Sep. 24, 2009**

(30) **Foreign Application Priority Data**

Mar. 26, 2009 (JP) D2009-006829

(51) **LOC (9) Cl.** **14-02**

(52) **U.S. Cl.** **D24/147**

(58) **Field of Classification Search** D24/146,
D24/147; 606/52, 131, 159-161, 167, 170,
606/205

See application file for complete search history.

(56) **References Cited**

U.S. PATENT DOCUMENTS

622,386 A * 4/1899 Peery 606/160
4,538,612 A * 9/1985 Patrick, Jr. 606/131

5,586,989 A * 12/1996 Bray, Jr. 606/160
6,053,933 A * 4/2000 Balazs et al. 606/205
6,083,223 A * 7/2000 Baker 606/52
D523,143 S * 6/2006 Anderson et al. D24/147
D547,869 S * 7/2007 Eckman D24/147
D561,397 S * 2/2008 Lee D28/59
2009/0048537 A1 * 2/2009 Lydon et al. 600/585

* cited by examiner

Primary Examiner — Freda S Nunn

(74) *Attorney, Agent, or Firm* — Birch, Stewart, Kolasch & Birch, LLP

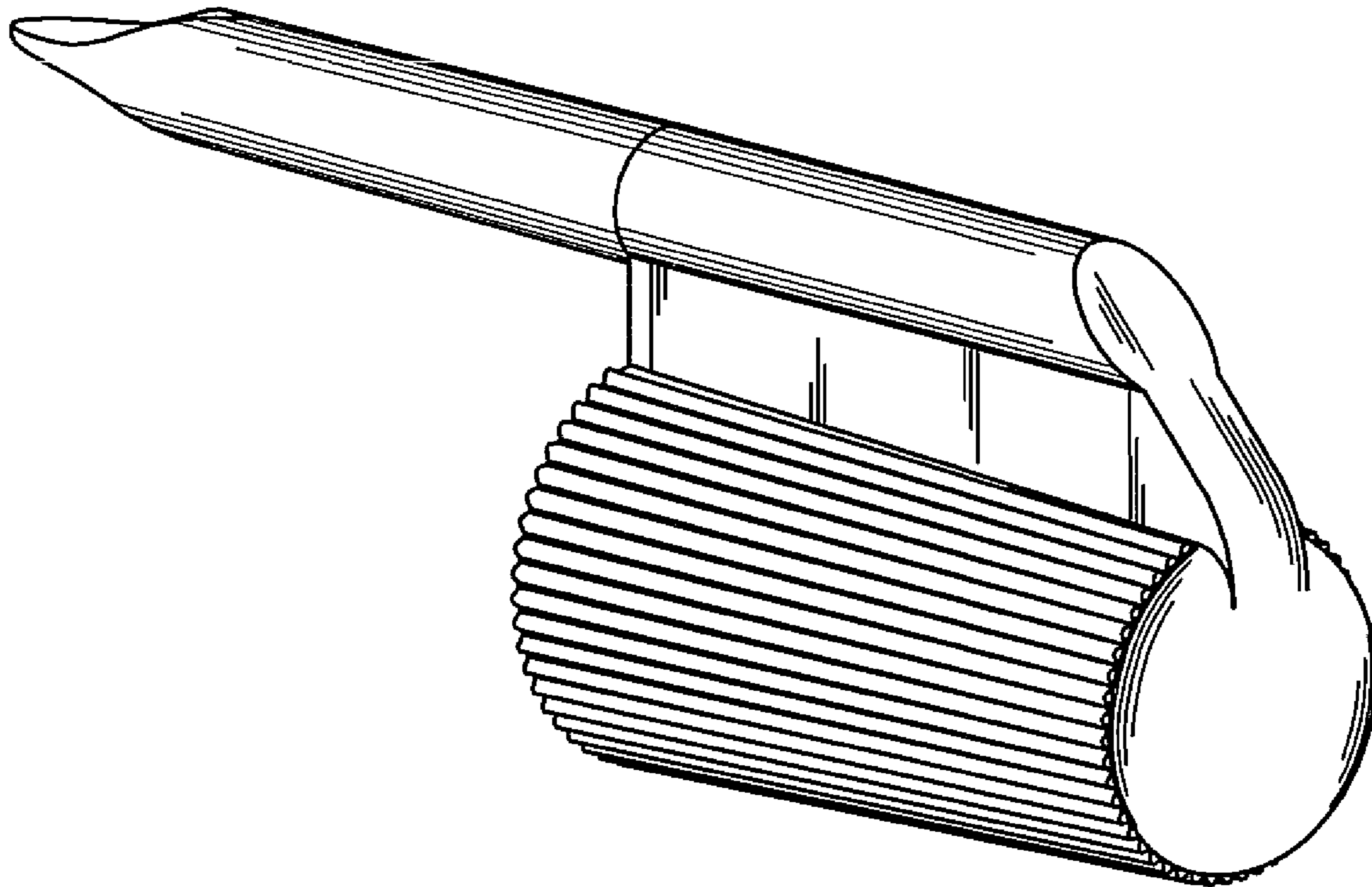
(57) **CLAIM**

The ornamental design for an instrument for removing scabs, as shown and described.

DESCRIPTION

FIG. 1 is a first perspective view of an instrument for removing scabs;
FIG. 2 is a second perspective view thereof;
FIG. 3 is a front view thereof, the opposite side being an identical image of the side shown herein;
FIG. 4 is a left side view thereof;
FIG. 5 is a right side view thereof;
FIG. 6 is a top view thereof; and,
FIG. 7 is a bottom view thereof.

1 Claim, 3 Drawing Sheets



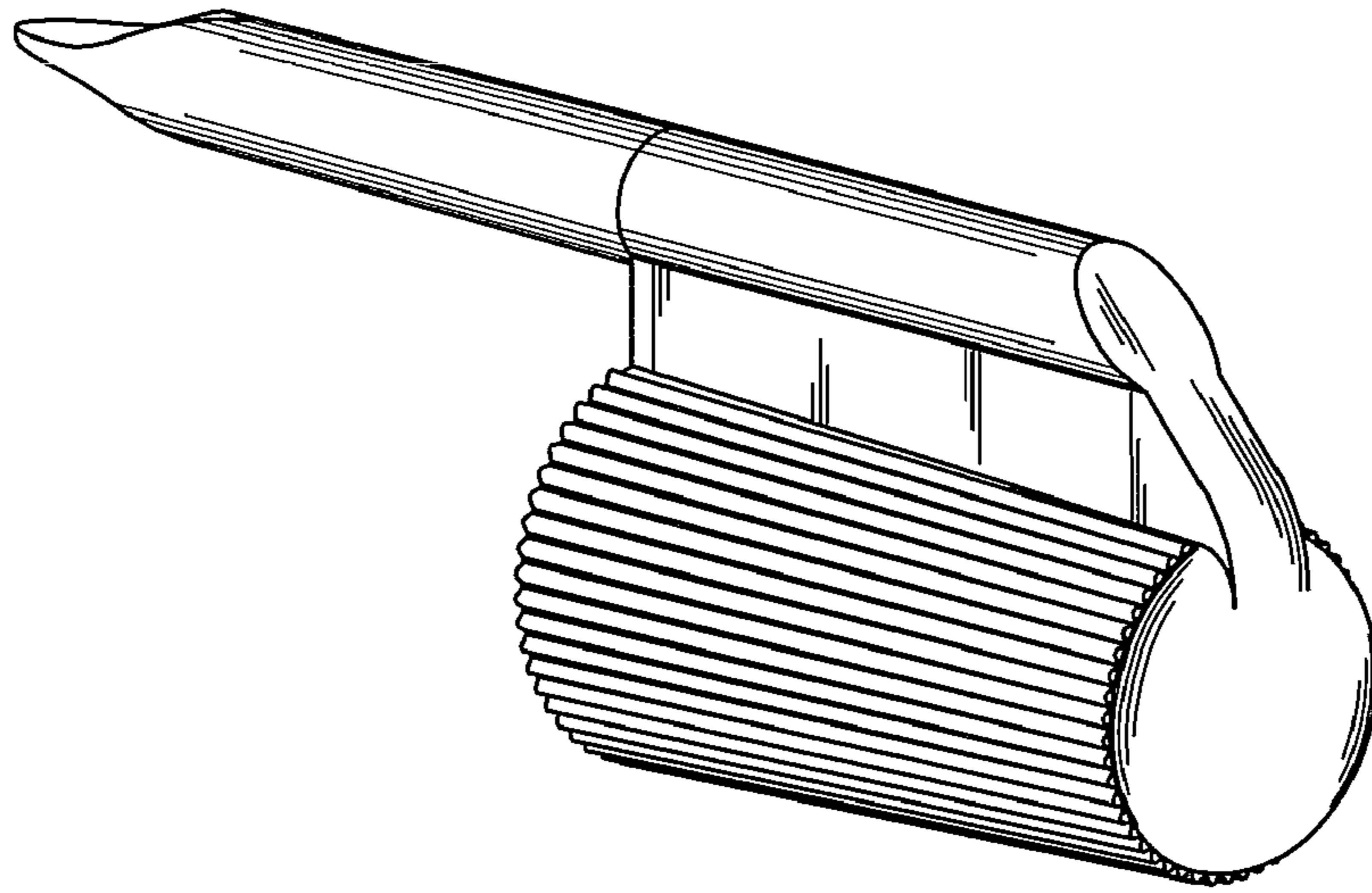


FIG. 1

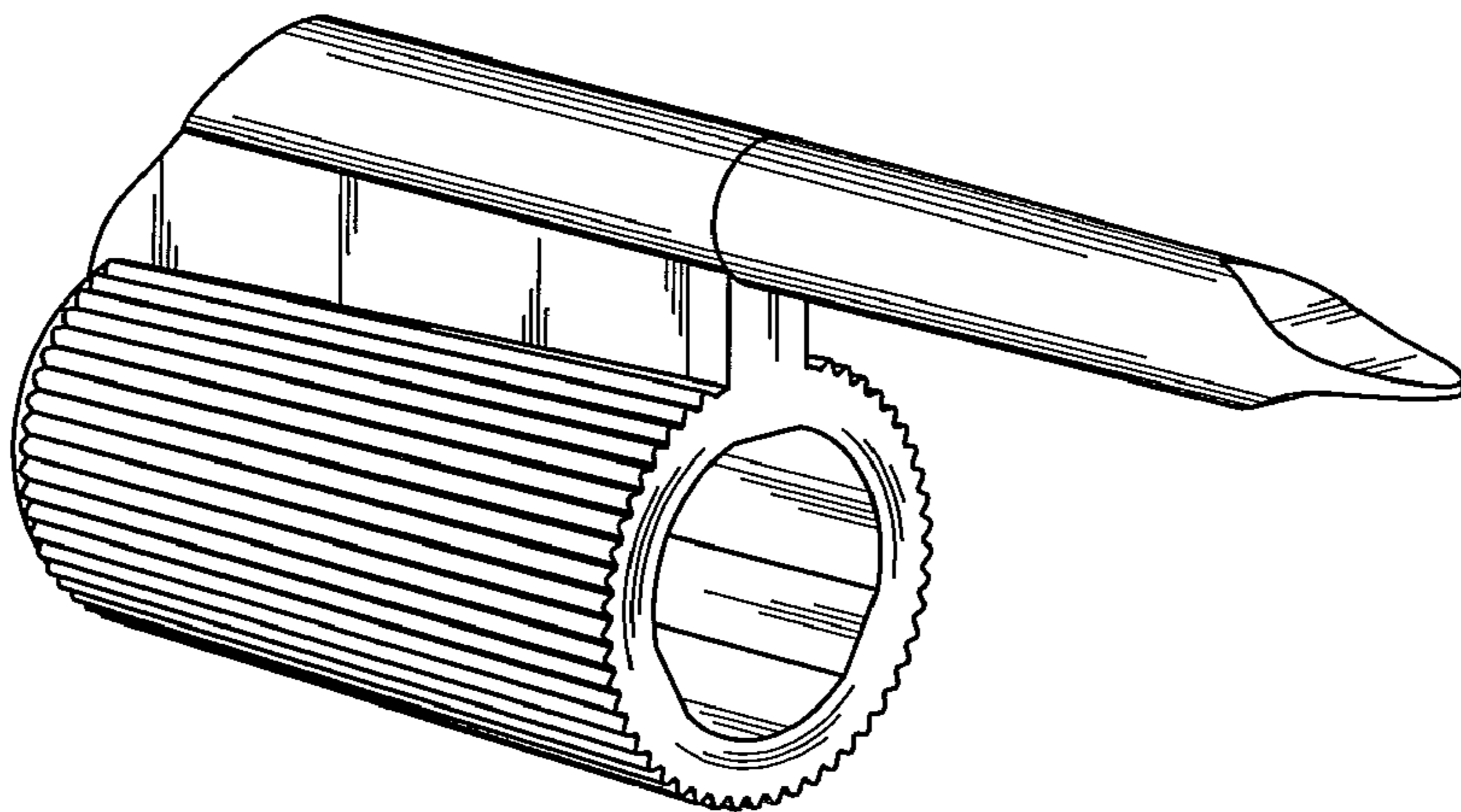


FIG. 2

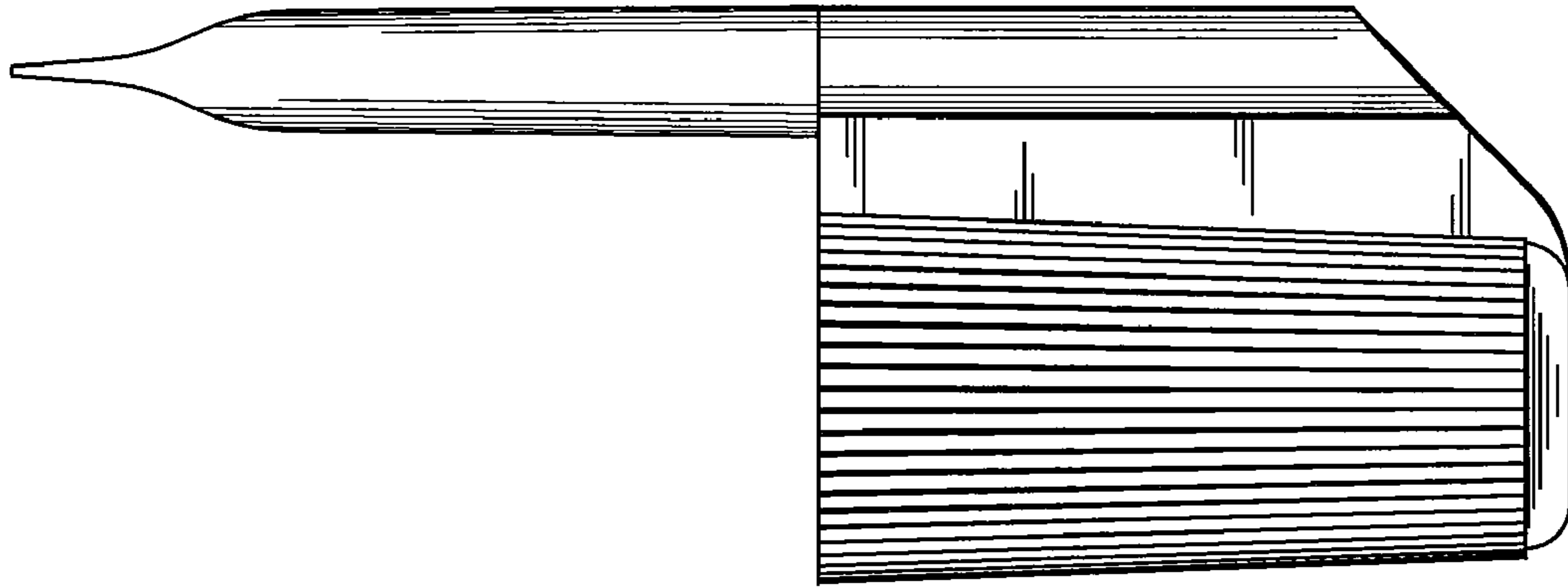


FIG.3

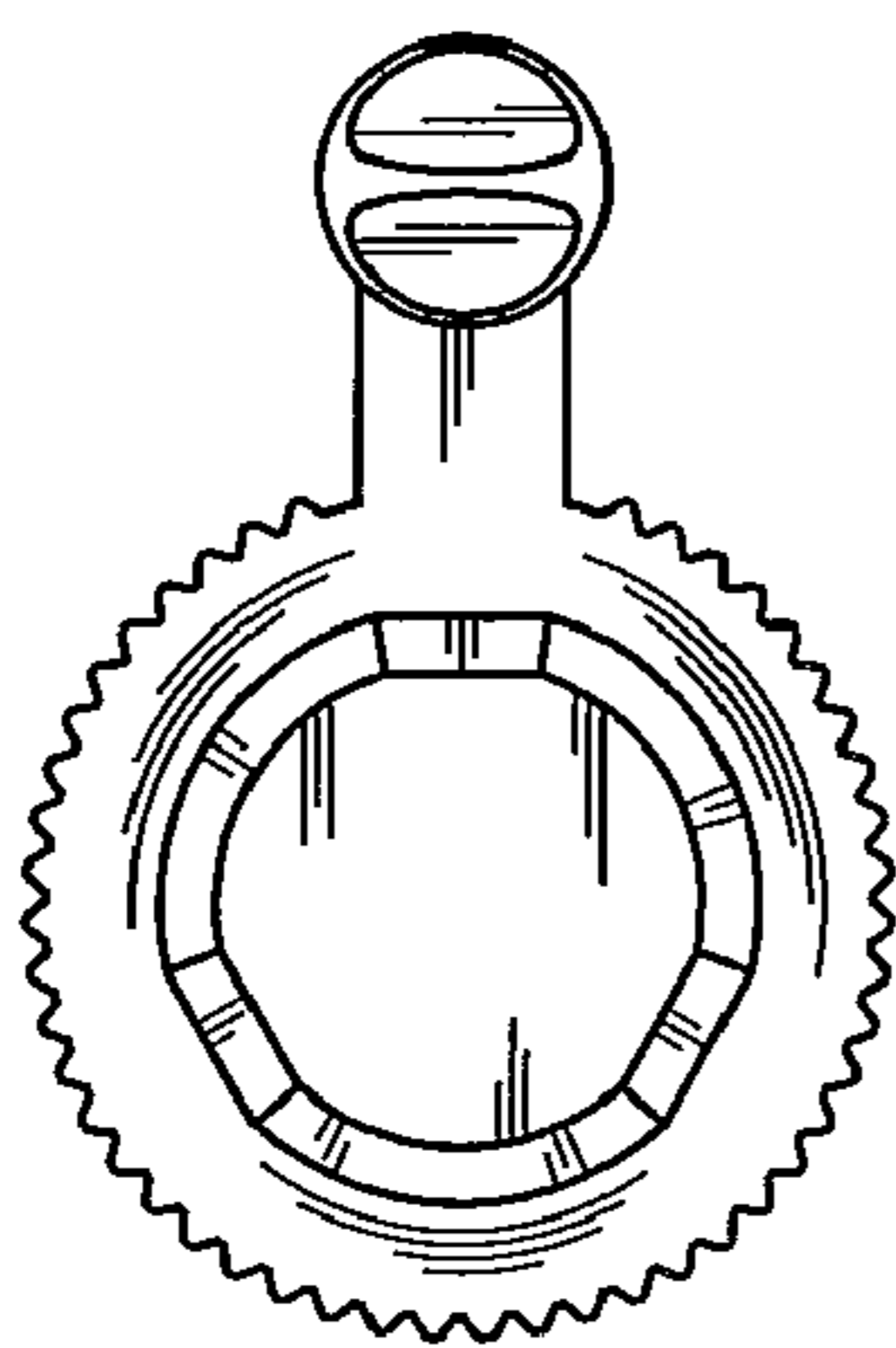


FIG.4

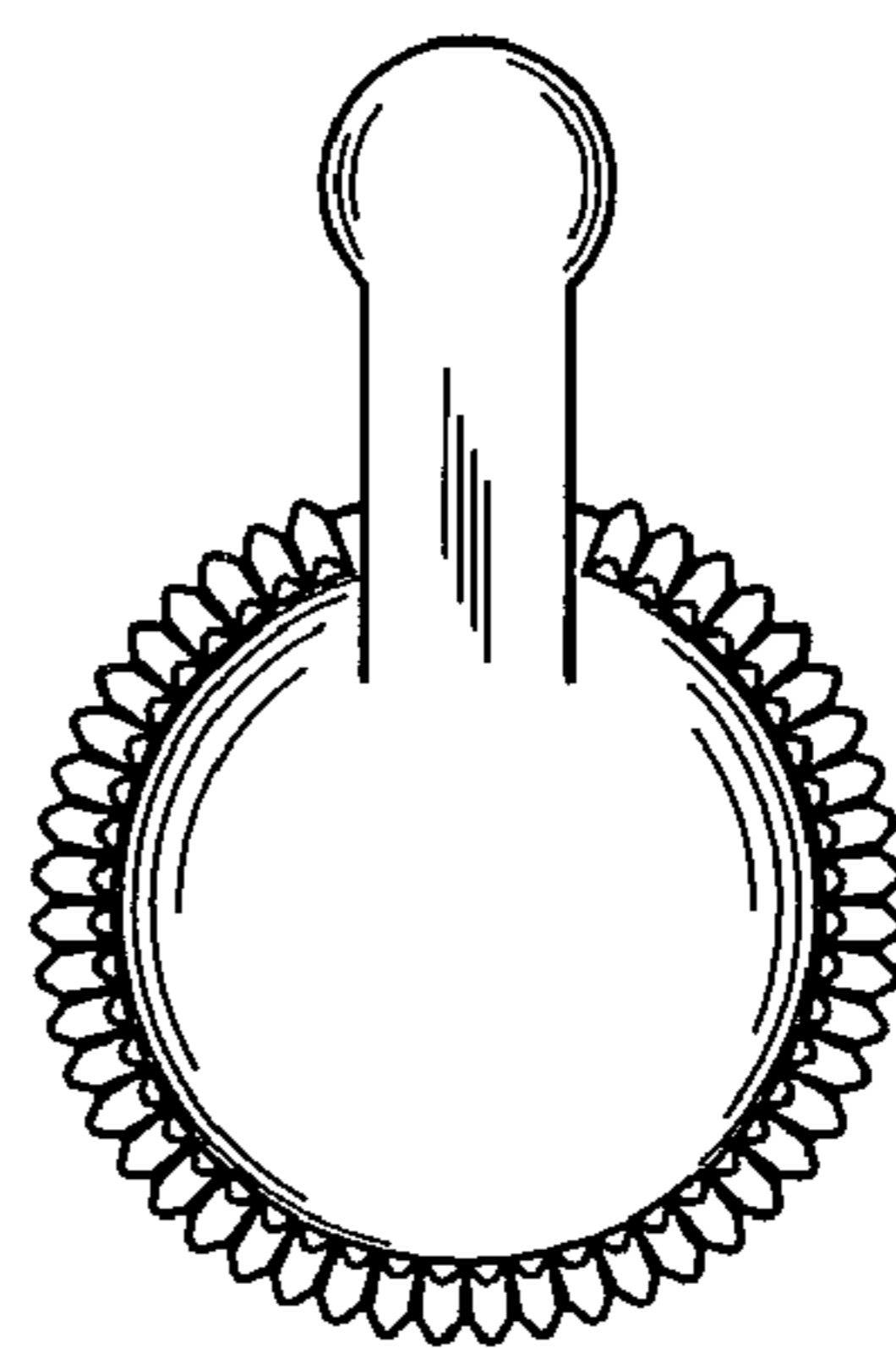


FIG.5

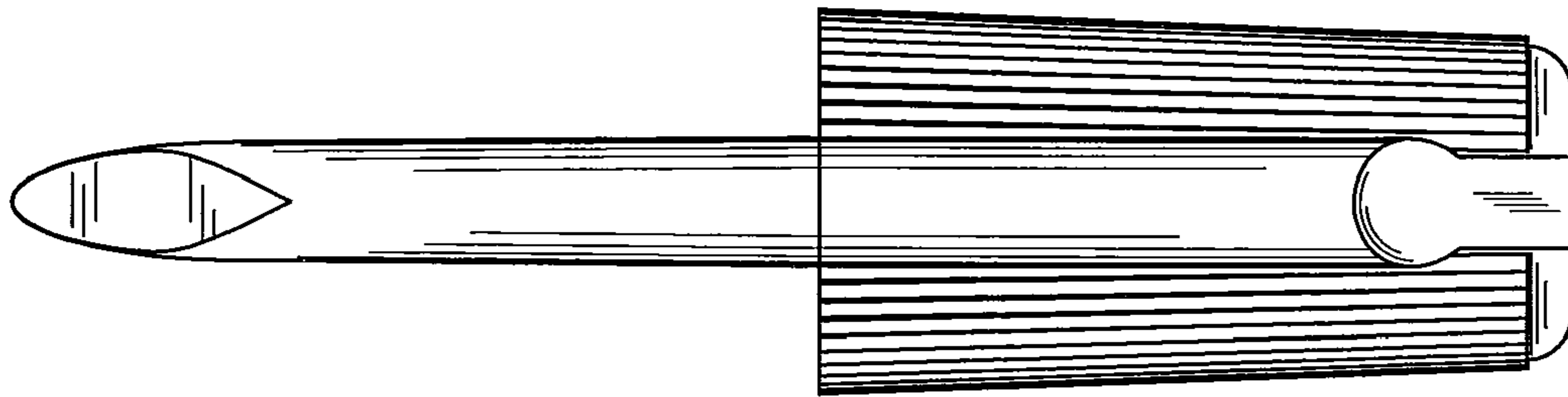


FIG. 6

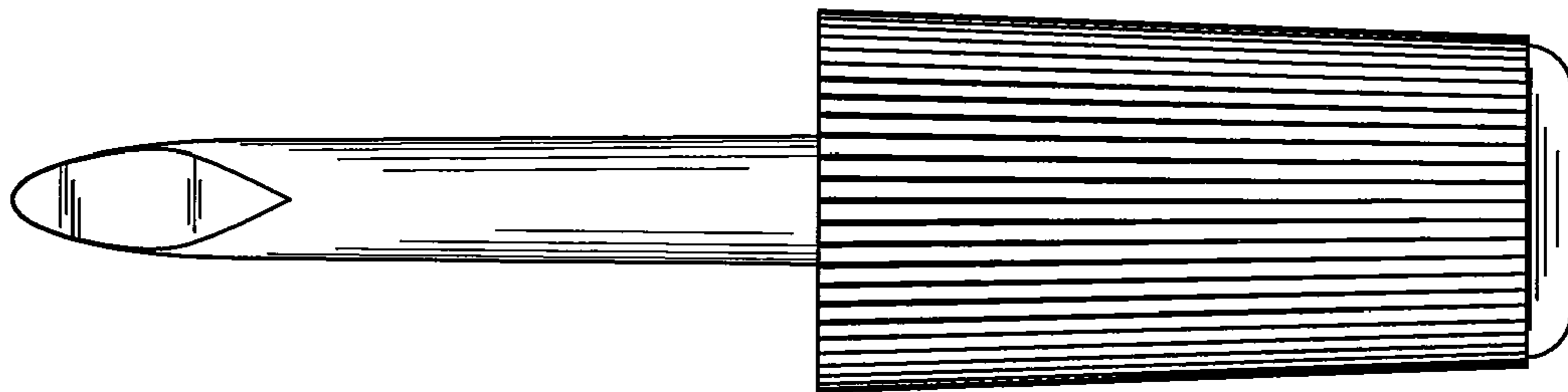


FIG. 7