



US00D634424S

(12) **United States Design Patent**
Morejon

(10) **Patent No.:** **US D634,424 S**

(45) **Date of Patent:** **** Mar. 15, 2011**

(54) **HANDLE CONFIGURATION**

(76) Inventor: **Orlando Morejon**, Key Largo, FL (US)

(**) Term: **14 Years**

(21) Appl. No.: **29/348,665**

(22) Filed: **Jan. 27, 2010**

(51) **LOC (9) Cl.** **24-02**

(52) **U.S. Cl.** **D24/146; D24/133**

(58) **Field of Classification Search** D24/111-113,
D24/146, 147, 133, 135, 137; 606/161, 160,
606/79, 84, 85

See application file for complete search history.

(56) **References Cited**

U.S. PATENT DOCUMENTS

D385,627	S *	10/1997	Cook et al.	D24/133
D449,379	S *	10/2001	Fuhr	D24/133
6,468,279	B1 *	10/2002	Reo	606/79
D492,032	S *	6/2004	Muller et al.	D24/133
D492,775	S *	7/2004	Doelling et al.	D24/133
D569,515	S *	5/2008	DeLonzor et al.	D24/146
7,513,901	B2 *	4/2009	Scifert et al.	606/93

D615,197	S *	5/2010	Koh et al.	D24/133
2006/0130847	A1 *	6/2006	Morejon	128/207.15
2010/0186748	A1 *	7/2010	Morejon	128/207.14
2010/0199448	A1 *	8/2010	Vazales et al.	15/104.05

* cited by examiner

Primary Examiner — Charles A Rademaker

Assistant Examiner — Carissa C Fitts

(74) *Attorney, Agent, or Firm* — Malloy & Malloy, P.A.

(57) **CLAIM**

The ornamental design for a handle configuration, as shown and described.

DESCRIPTION

FIG. 1 is a bottom perspective view illustrating my design for a handle configuration;

FIG. 2 is a front view thereof;

FIG. 3 is a rear view thereof;

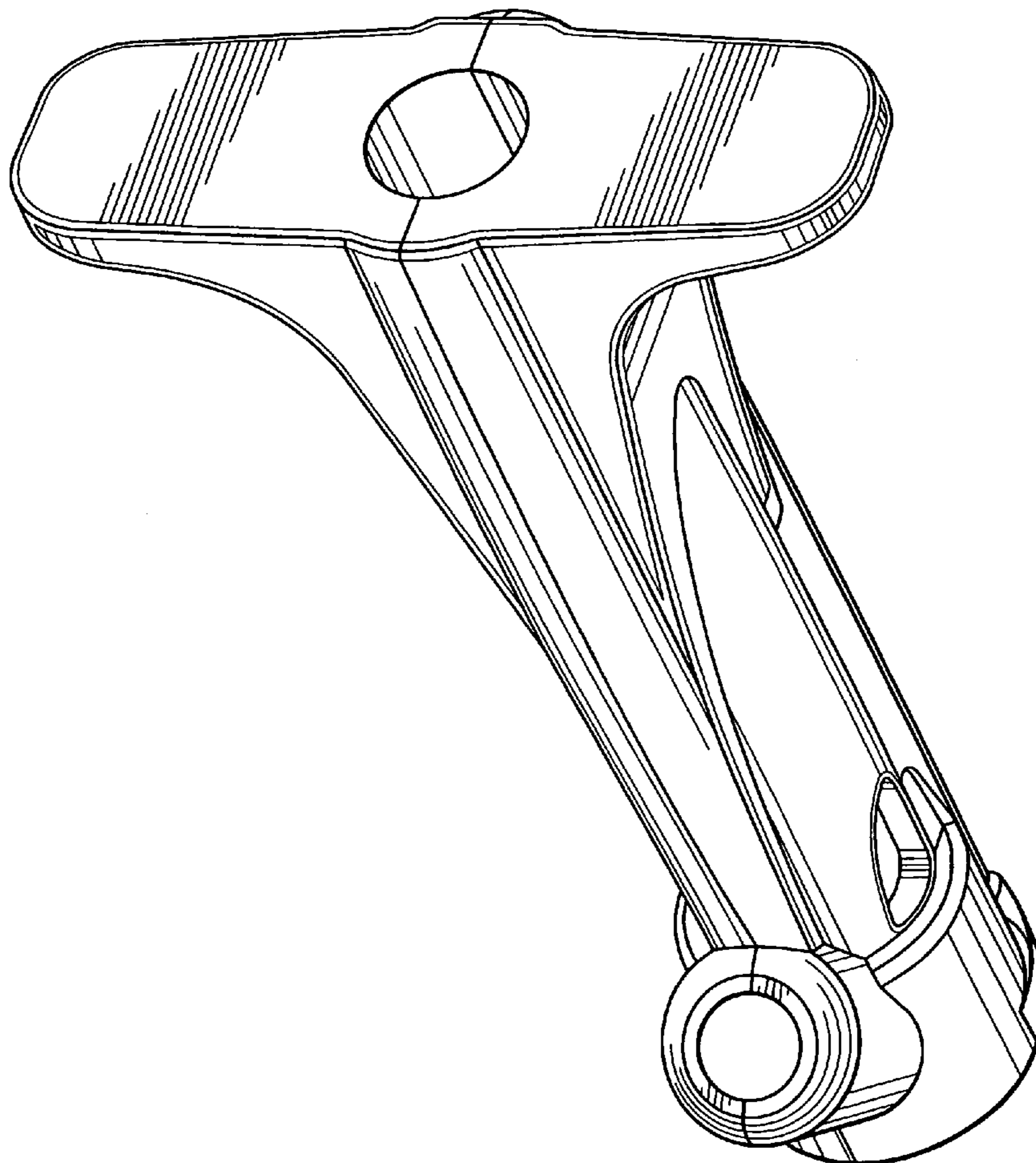
FIG. 4 is a top view thereof;

FIG. 5 is a right side view thereof;

FIG. 6 is a left side view thereof; and,

FIG. 7 is a bottom view thereof.

1 Claim, 7 Drawing Sheets



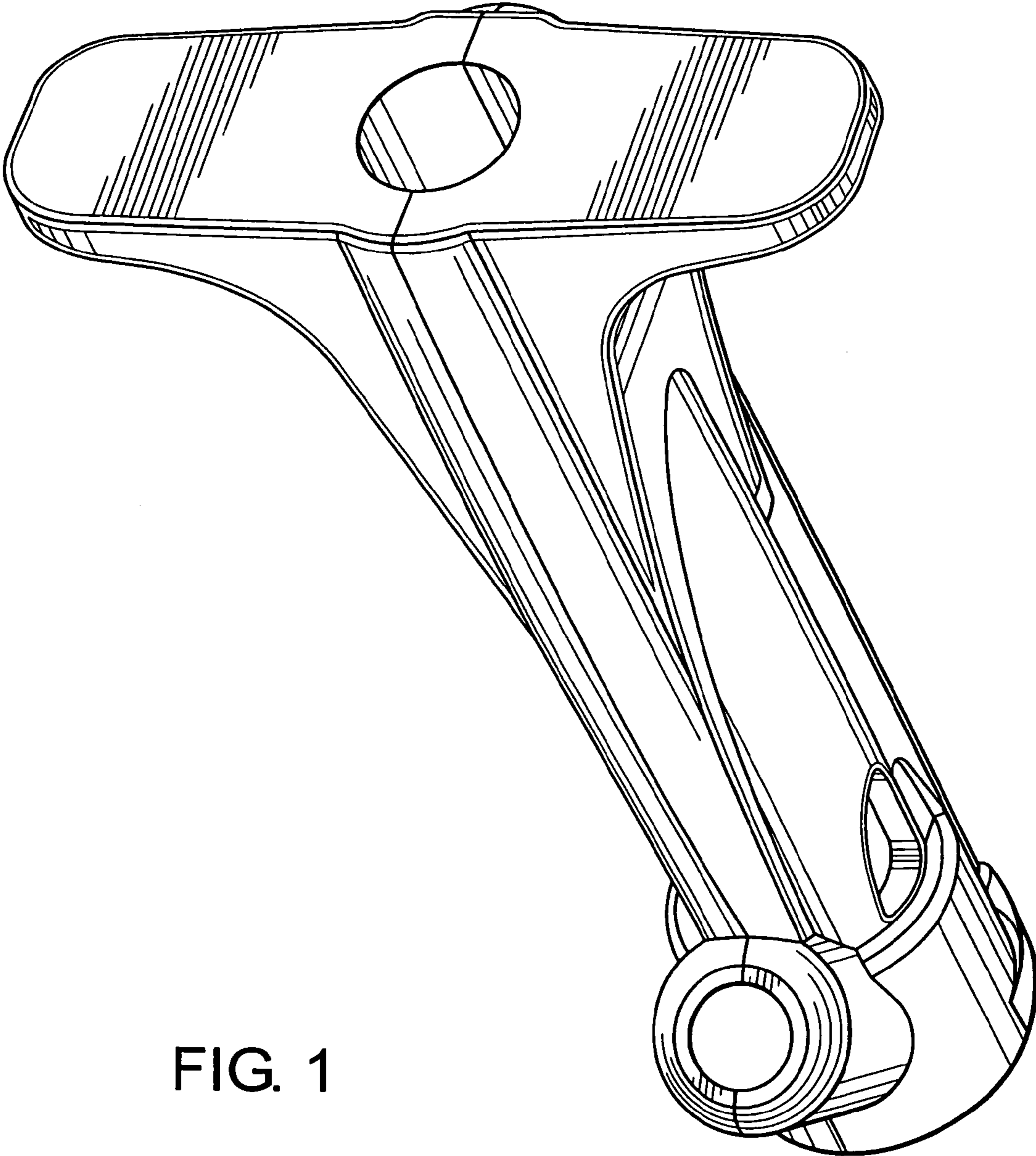


FIG. 1

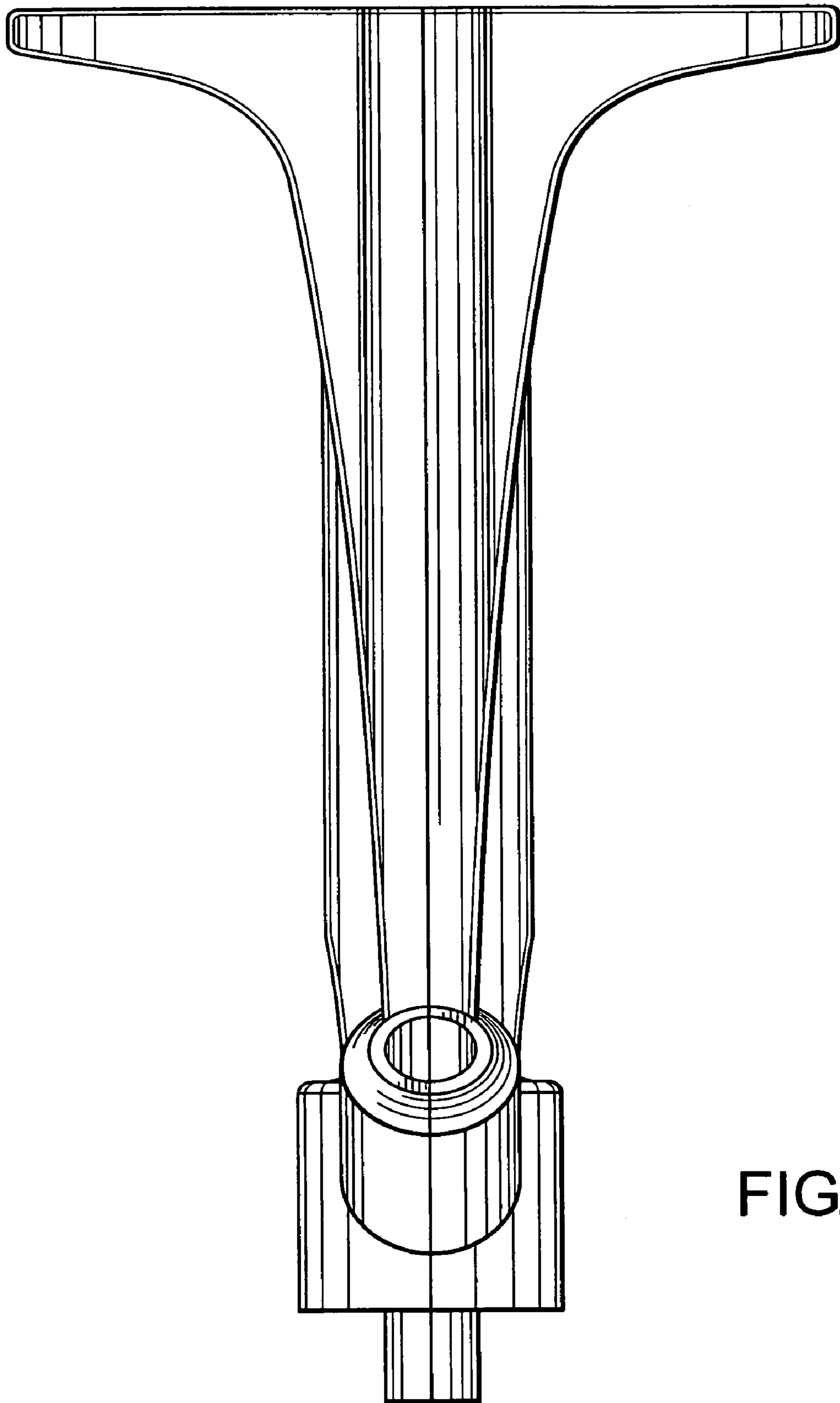


FIG. 2

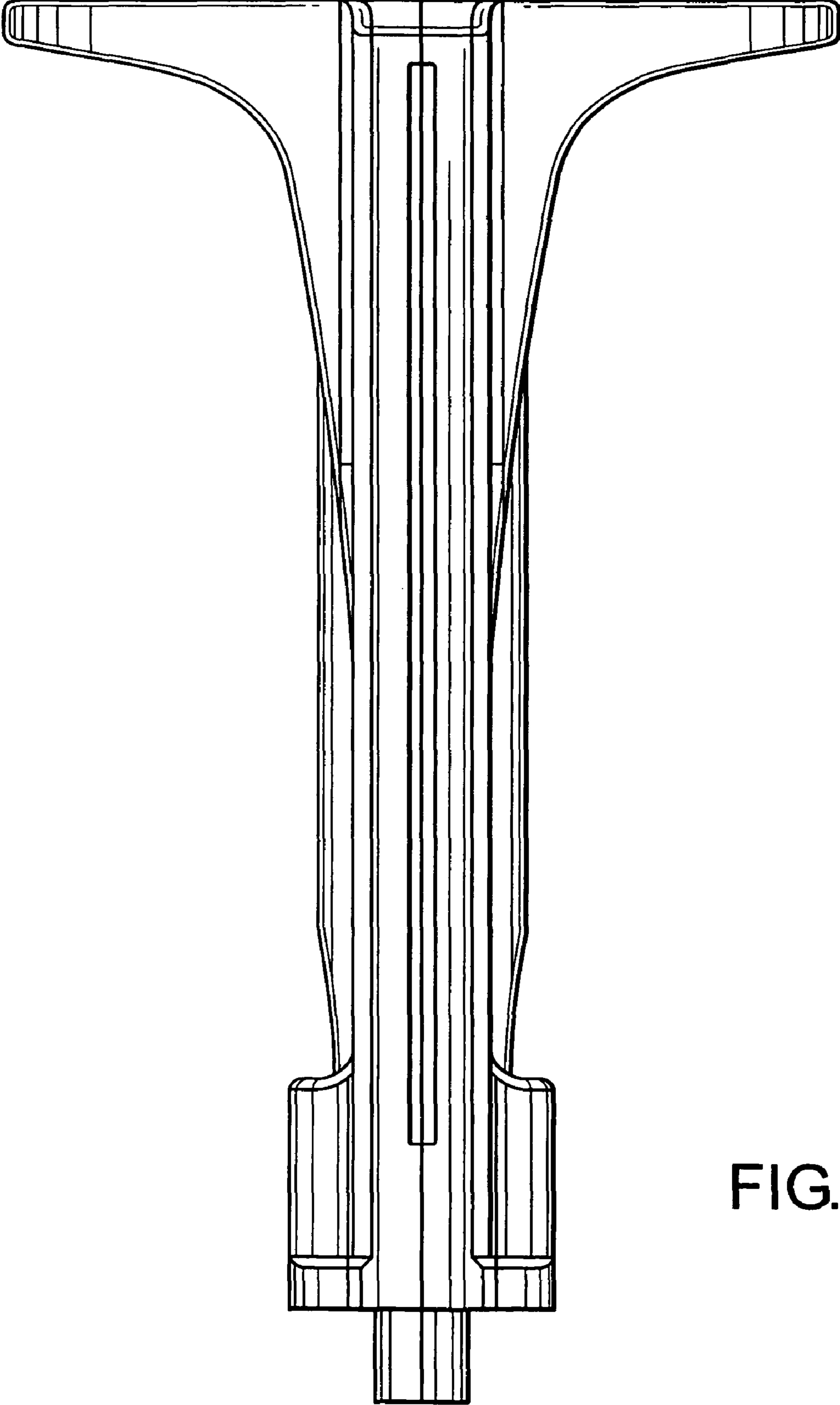


FIG. 3

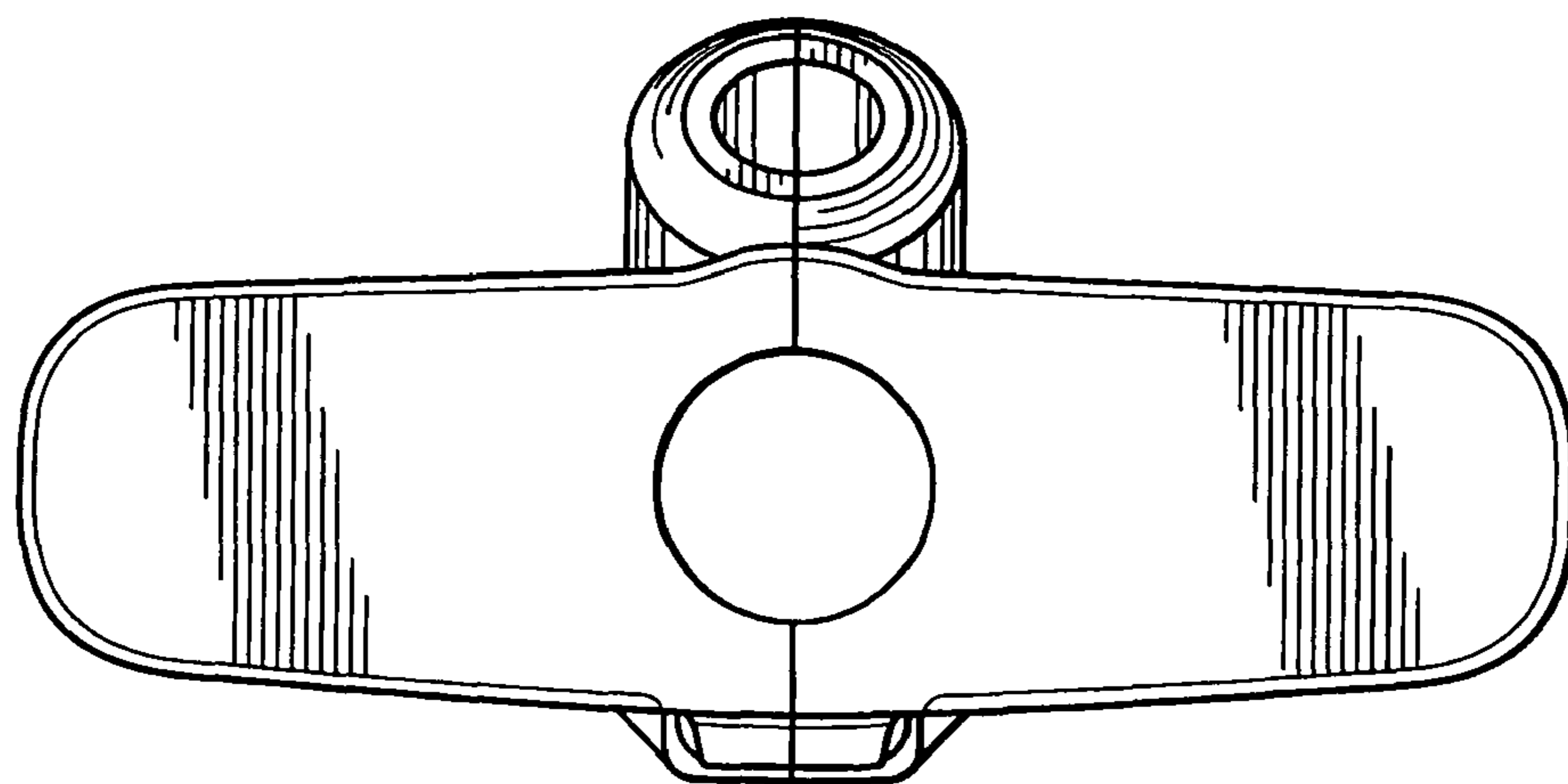


FIG. 4

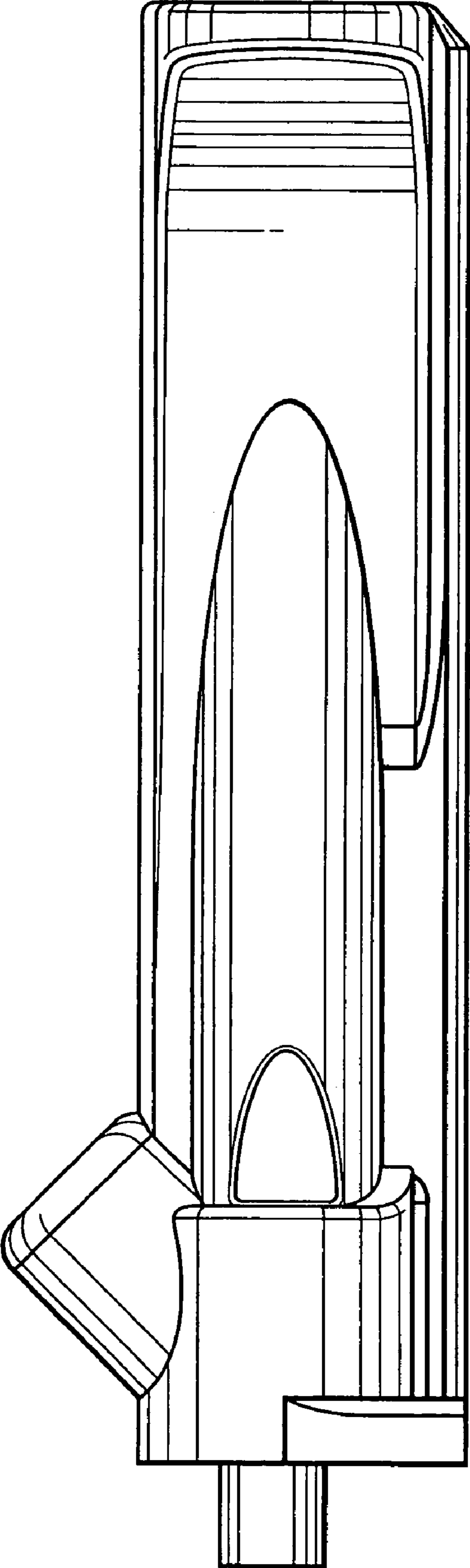


FIG. 5

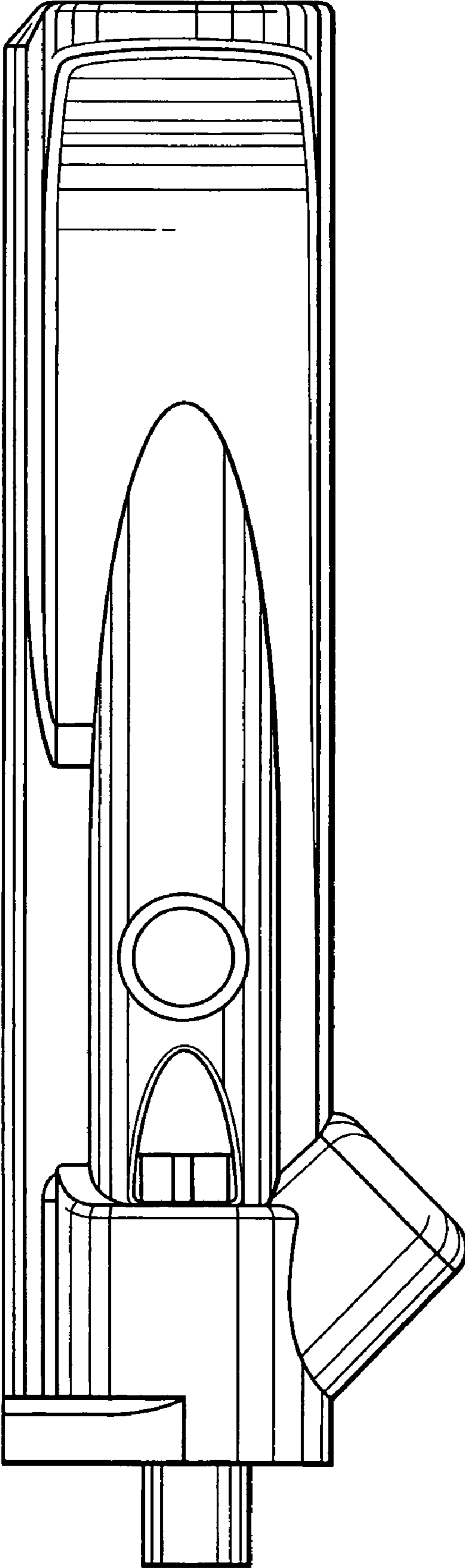


FIG. 6

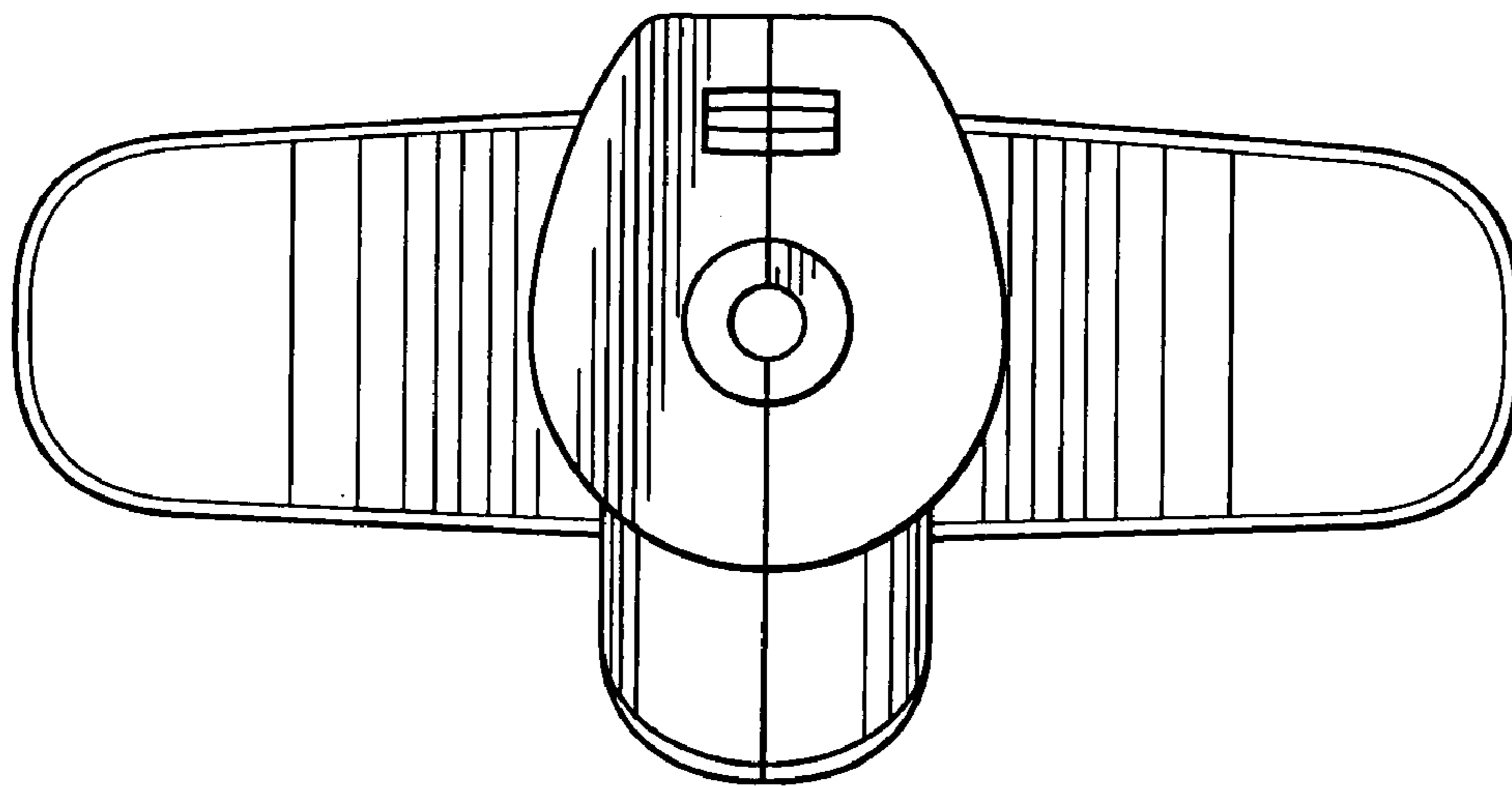


FIG. 7