



US00D634423S

(12) **United States Design Patent**
Heinecke et al.

(10) **Patent No.:** **US D634,423 S**
(45) **Date of Patent:** **** Mar. 15, 2011**

(54) **NOTCHED CATHETER DRESSING**

(75) Inventors: **Steven B. Heinecke**, New Richmond,
WI (US); **Richard L. Jacobson**,
Stillwater, MN (US)

(73) Assignee: **3M Innovative Properties Company**,
St. Paul, MN (US)

(**) Term: **14 Years**

(21) Appl. No.: **29/306,221**

(22) Filed: **Apr. 4, 2008**

(51) **LOC (9) Cl.** **24-02**

(52) **U.S. Cl.** **D24/128**

(58) **Field of Classification Search** D24/128;
128/DIG. 28, 858; 602/6, 46, 54, 58-59;
604/80, 174, 177, 179, 180, 251; 605/151,
605/157

See application file for complete search history.

(56) **References Cited**

U.S. PATENT DOCUMENTS

3,880,159	A *	4/1975	Diamond	602/58
D243,477	S *	2/1977	Cutruzzula et al.	D24/128
4,838,868	A *	6/1989	Forgar et al.	604/180
4,931,282	A	6/1990	Asmus et al.	424/448
5,088,483	A	2/1992	Heinecke	602/46
5,160,315	A	11/1992	Heinecke et al.	602/57
5,380,294	A *	1/1995	Persson	604/180
5,520,629	A	5/1996	Heinecke et al.	602/57
5,531,855	A	7/1996	Heinecke et al.	156/252
5,738,642	A	4/1998	Heinecke et al.	602/58
D404,815	S *	1/1999	Bierman	D24/128
5,968,000	A	10/1999	Harrison et al.	602/41
6,124,521	A	9/2000	Roberts	602/54
6,273,873	B1 *	8/2001	Fleischer	604/174
6,436,432	B2	8/2002	Heinecke et al.	424/443
D473,947	S	4/2003	Jacobson	D24/189

6,607,799	B1	8/2003	Heinecke et al.	428/40
6,685,682	B1	2/2004	Heinecke et al.	604/307
D493,230	S	7/2004	Liedtke et al.	D24/189
6,841,715	B2 *	1/2005	Roberts	602/54
D503,982	S	4/2005	Liedtke et al.	D24/189
D511,005	S	10/2005	Liedtke et al.	D24/189
7,025,749	B2	4/2006	Propp	604/180
7,172,615	B2 *	2/2007	Morriss et al.	606/215
D552,732	S *	10/2007	Bierman et al.	D24/128
D555,788	S *	11/2007	Southwell et al.	D24/128
7,317,134	B2 *	1/2008	Faasse, Jr.	602/57
D586,464	S *	2/2009	Cummings et al.	D24/128
D616,091	S *	5/2010	Kyvik et al.	D24/128
2006/0184128	A1 *	8/2006	Bierman	604/180
2007/0049871	A1 *	3/2007	Fleischer	604/180
2007/0060892	A1 *	3/2007	Propp	604/180
2007/0149930	A1 *	6/2007	Bierman	604/174

* cited by examiner

Primary Examiner — T. Chase Nelson

Assistant Examiner — Eric L Goodman

(74) *Attorney, Agent, or Firm* — Trisha D. Adamson

(57) **CLAIM**

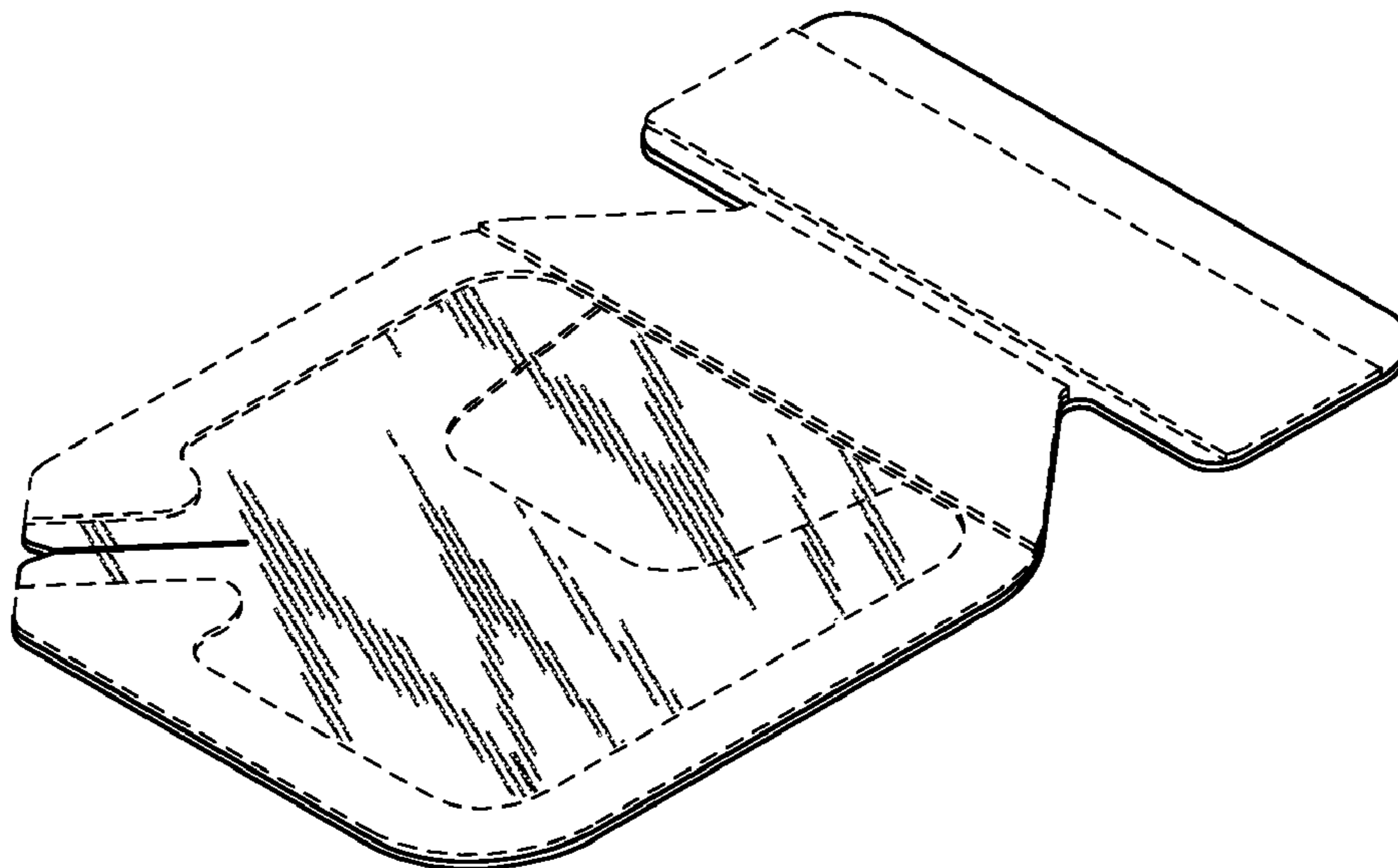
The ornamental design for a notched catheter dressing, substantially as shown and described.

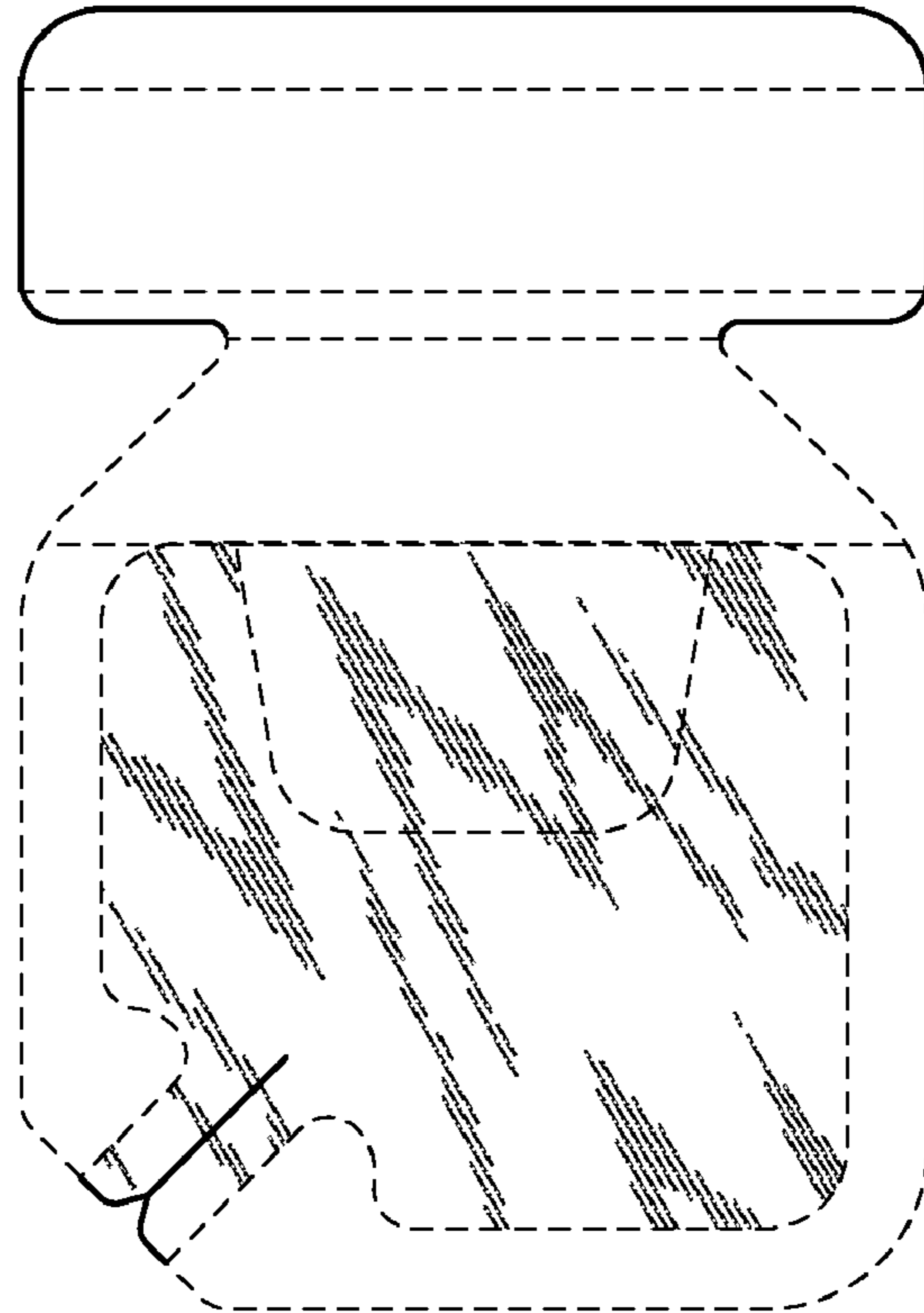
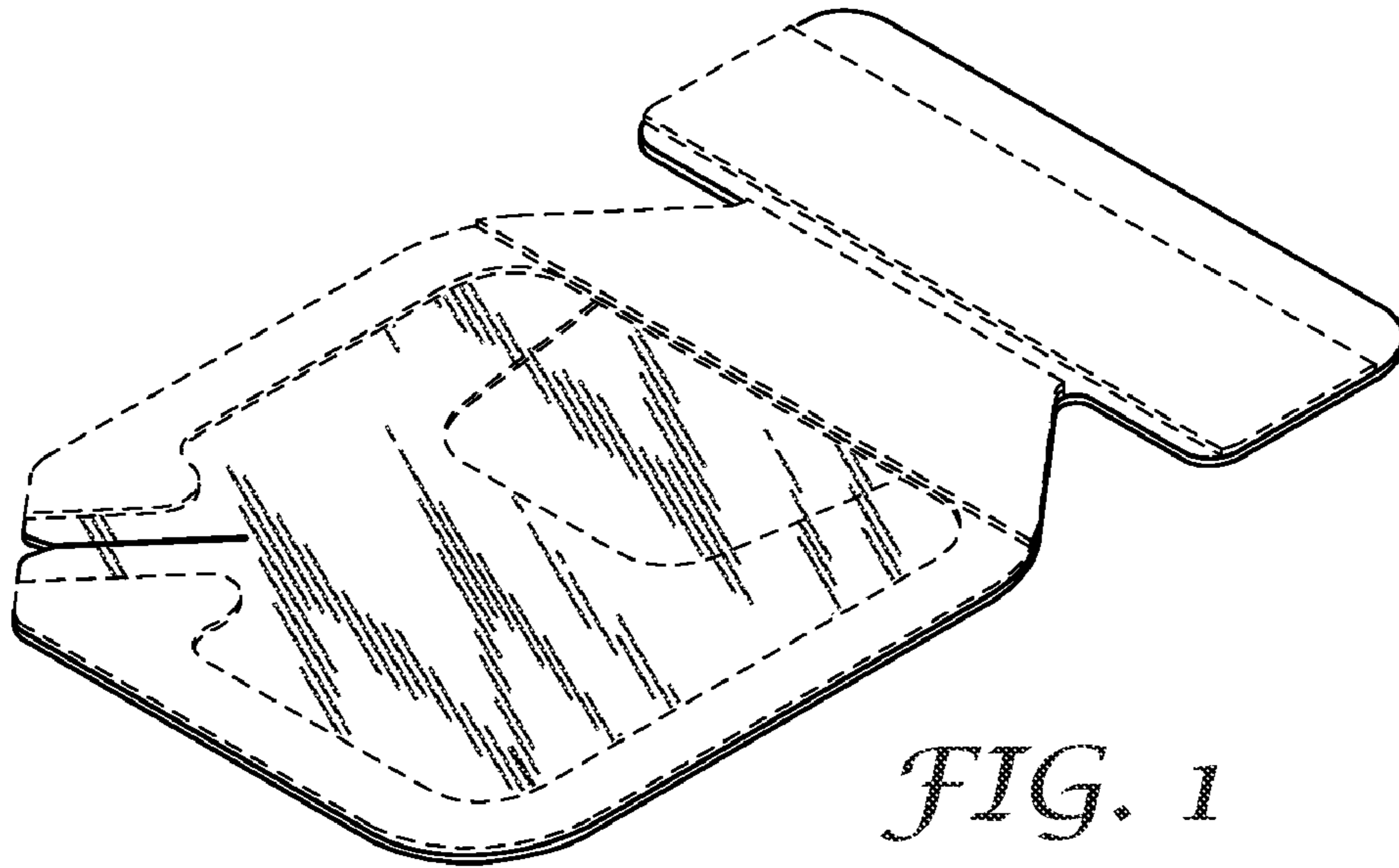
DESCRIPTION

FIG. 1 is a perspective view of a notched catheter dressing showing our new design;
FIG. 2 is a top plan view thereof;
FIG. 3 is a bottom plan elevational view thereof;
FIG. 4 is a right side elevational view thereof;
FIG. 5 is a left side elevational view thereof;
FIG. 6 is a rear elevational view thereof; and,
FIG. 7 is a front elevational view thereof.

The broken line drawing in all figure views is for illustrative purposes only, and forms no part of the claimed design.

1 Claim, 2 Drawing Sheets





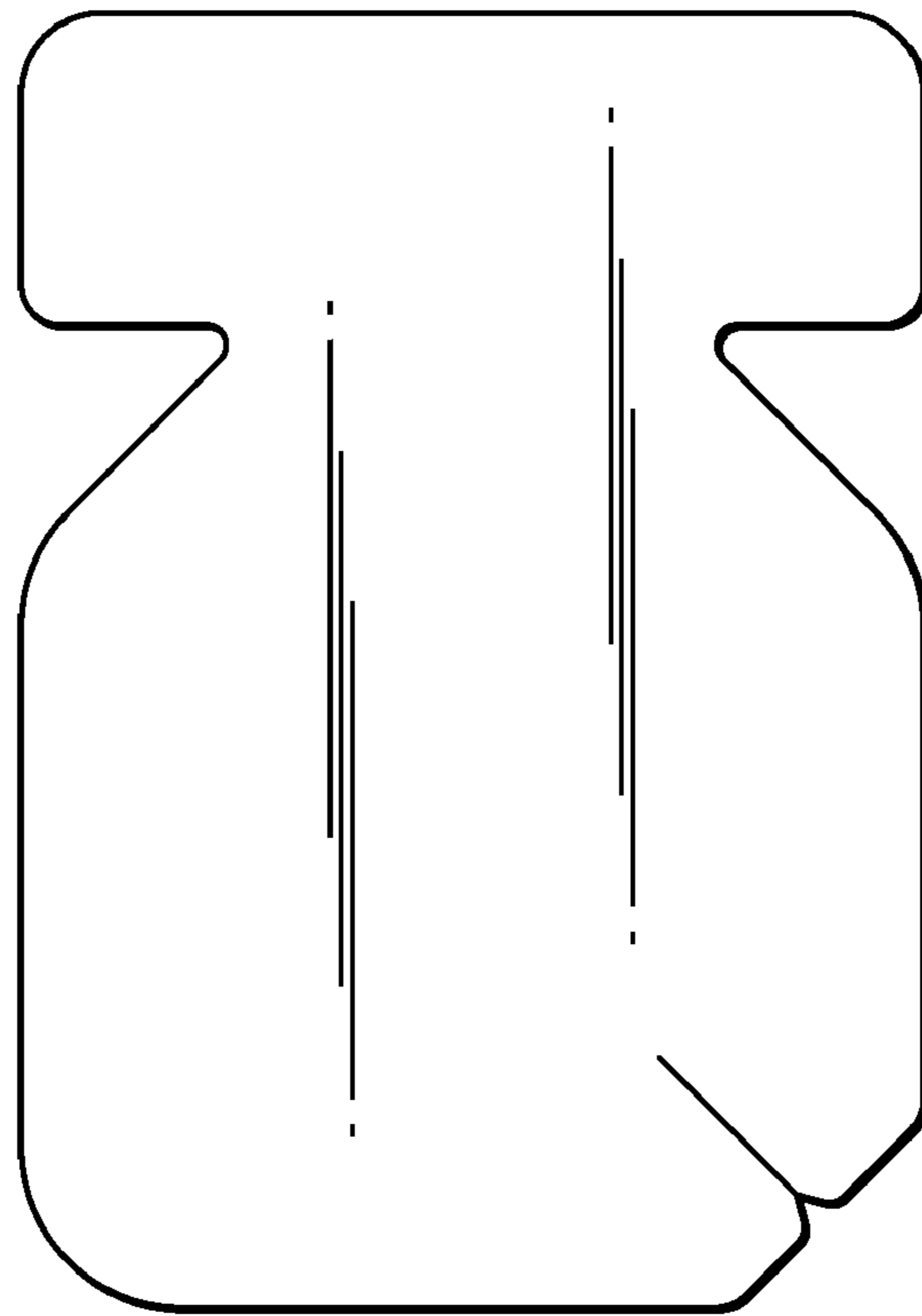


FIG. 3

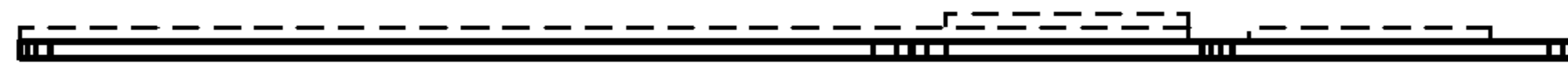


FIG. 4

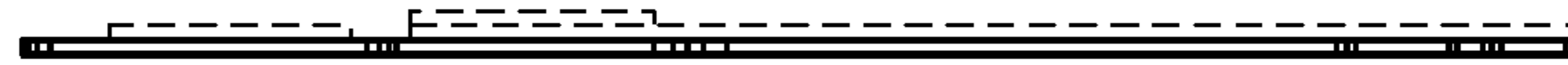


FIG. 5



FIG. 6

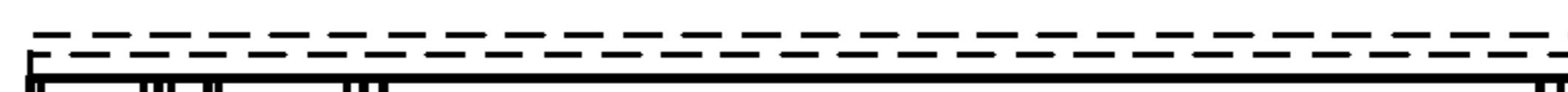


FIG. 7