



US00D634422S

(12) **United States Design Patent**  
**El-Gad et al.**

(10) **Patent No.:** **US D634,422 S**  
(45) **Date of Patent:** **\*\* Mar. 15, 2011**

(54) **AUTO INJECTION DEVICE**

(75) Inventors: **Tomer El-Gad**, Rehovot (IL); **Paul Greenhalgh**, Bucks (GB); **David George Robinson**, Cambridge (GB)

(73) Assignee: **Teva Pharmaceutical Industries, Ltd.**, Petach-Tikva (IL)

(\*\*) Term: **14 Years**

(21) Appl. No.: **29/370,420**

(22) Filed: **Jul. 14, 2010**

(51) **LOC (9) Cl.** ..... **24-02**

(52) **U.S. Cl.** ..... **D24/113**

(58) **Field of Classification Search** ..... D24/112–114,  
D24/133, 186, 104, 130, 127; 606/181, 185;  
604/232, 187, 158, 164.08, 192, 263, 163,  
604/181, 184, 198, 227; D8/83, 24, 25, 107  
See application file for complete search history.

(56) **References Cited**

**U.S. PATENT DOCUMENTS**

D278,953	S	*	5/1985	Smith	.....	D8/107
5,137,516	A		8/1992	Rand et al.		
D353,668	S	*	12/1994	Banks et al.	.....	D24/112
D556,320	S	*	11/2007	Boclet	.....	D24/114
D556,903	S	*	12/2007	Bloc	.....	D24/114
D579,562	S	*	10/2008	Anderson et al.	.....	D24/133
7,442,185	B2		10/2008	Amark et al.		
D592,024	S	*	5/2009	Hsien	.....	D8/25
D607,558	S	*	1/2010	Abry et al.	.....	D24/113
D610,433	S	*	2/2010	Garcia et al.	.....	D8/107
D616,992	S	*	6/2010	Kitayama	.....	D24/186
D619,866	S	*	7/2010	Deguglimo et al.	.....	D8/25
D622,374	S	*	8/2010	Julian et al.	.....	D24/113
D623,920	S	*	9/2010	Radle et al.	.....	D8/107
2004/0039336	A1		2/2004	Amark et al.		
2007/0161960	A1	*	7/2007	Chen et al.	.....	604/187

**FOREIGN PATENT DOCUMENTS**

EP	1349590	5/2006
WO	WO 02/47746	6/2002
WO	PCT/US2010/001972	7/2010

**OTHER PUBLICATIONS**

U.S. Appl. No. 61/271,009, filed Jul. 15, 2009, Altman, et al.  
U.S. Appl. No. 61/271,340, filed Jul. 20, 2009, Altman, et al.  
U.S. Appl. No. 61/337,011, filed Jan. 29, 2010, Altman, et al.  
U.S. Appl. No. 12/761,367, filed Apr. 15, 2010, Altman, et al.  
U.S. Appl. No. 12/785,125, filed May 21, 2010, Altman, et al.  
U.S. Appl. No. 29/370,417, filed Jul. 14, 2010, Tomer El-Gad, et al.

\* cited by examiner

*Primary Examiner* — David G Muller

(74) *Attorney, Agent, or Firm* — John P. White; Cooper & Dunham LLP

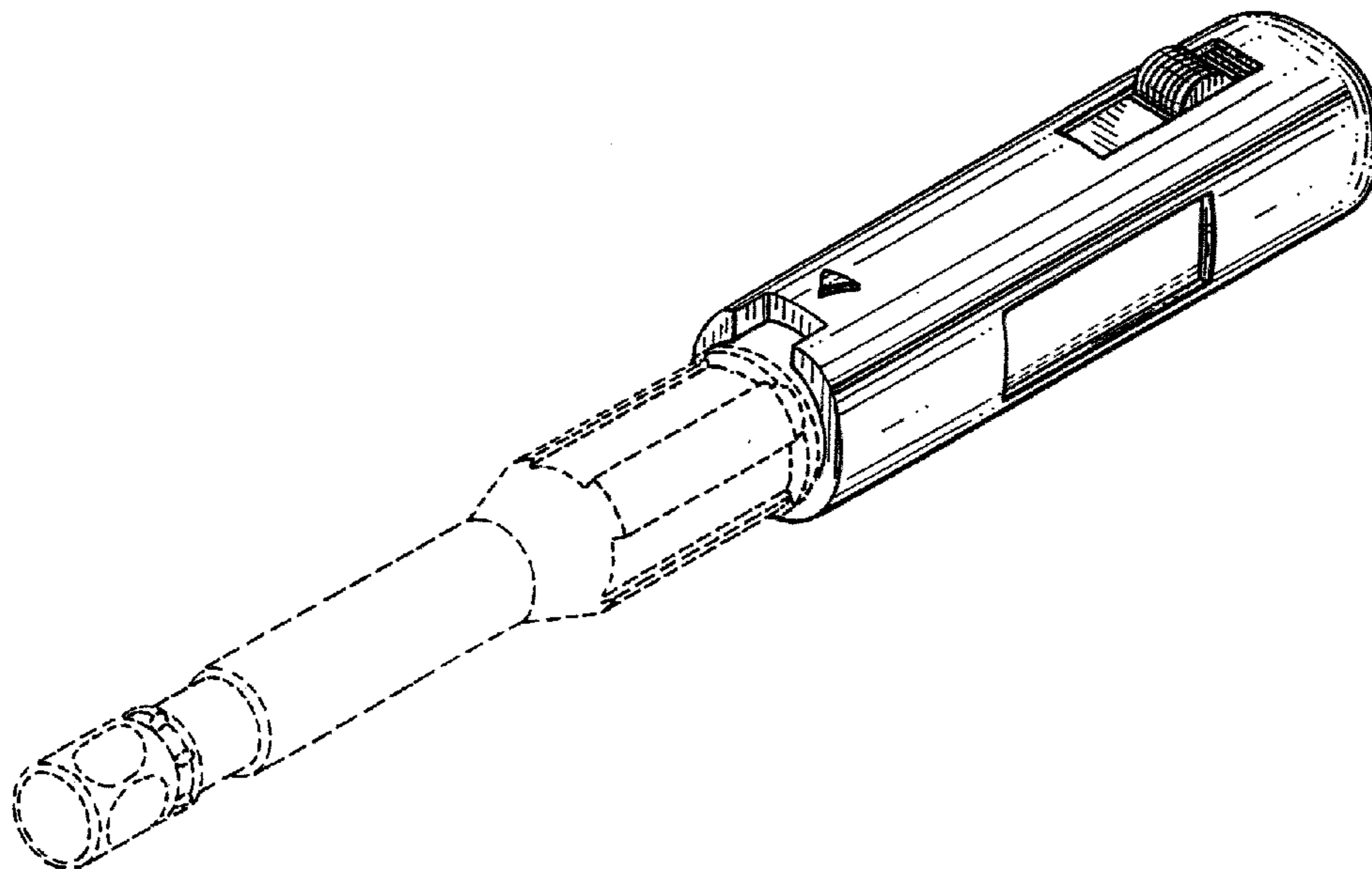
(57) **CLAIM**

The ornamental design for an auto injection device, as shown and described.

**DESCRIPTION**

FIG. 1 is a perspective top view thereof;  
FIG. 2 is a top view thereof;  
FIG. 3 is a front view thereof;  
FIG. 4 is a back view thereof;  
FIG. 5 is a bottom view thereof;  
FIG. 6 is a side view thereof; and,  
FIG. 7 is an opposite side view thereof.  
The broken line showing of parts of the drawings is included for the purpose of illustrating use and environment and forms no part of the claimed design.

**1 Claim, 3 Drawing Sheets**



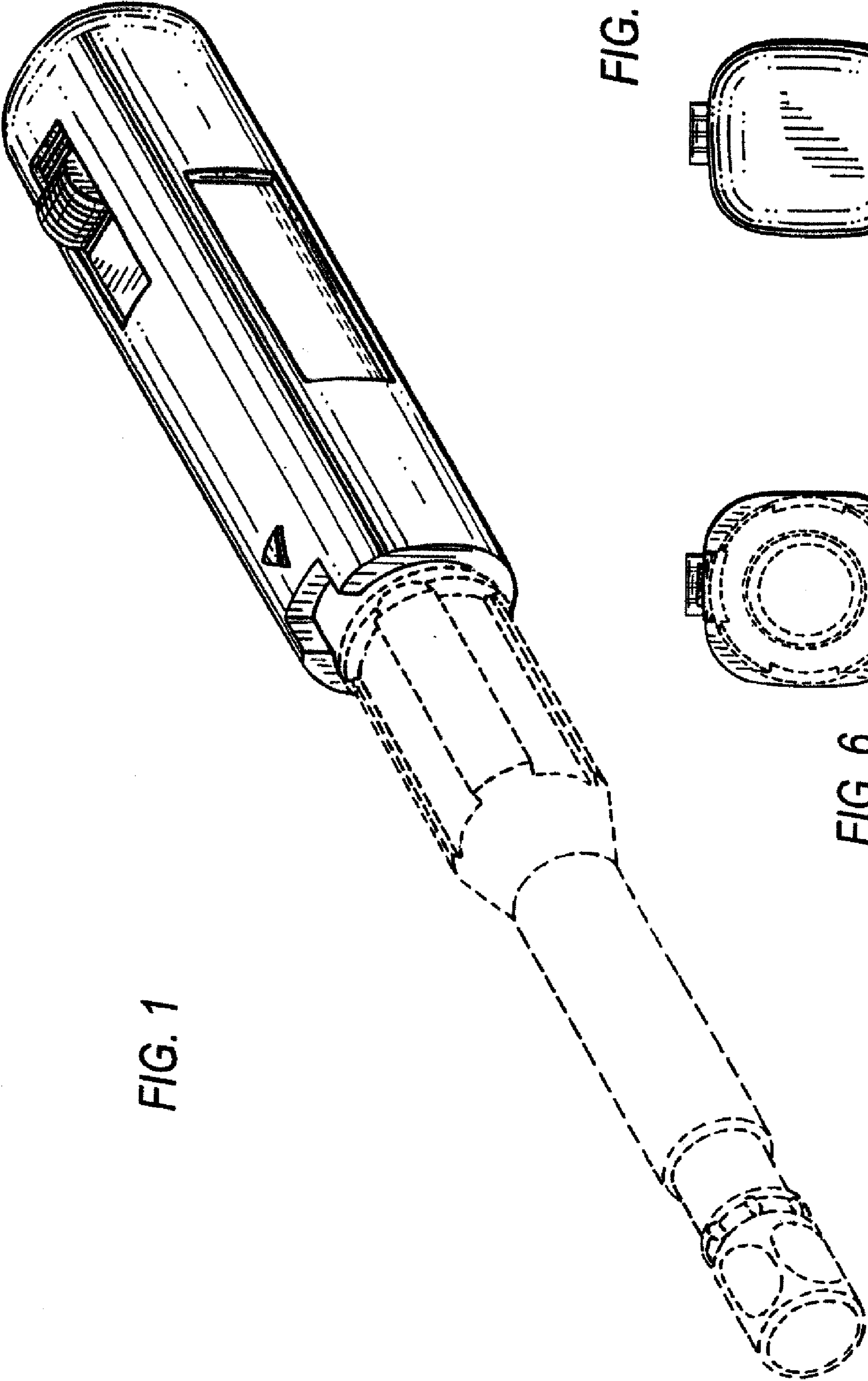


FIG. 1

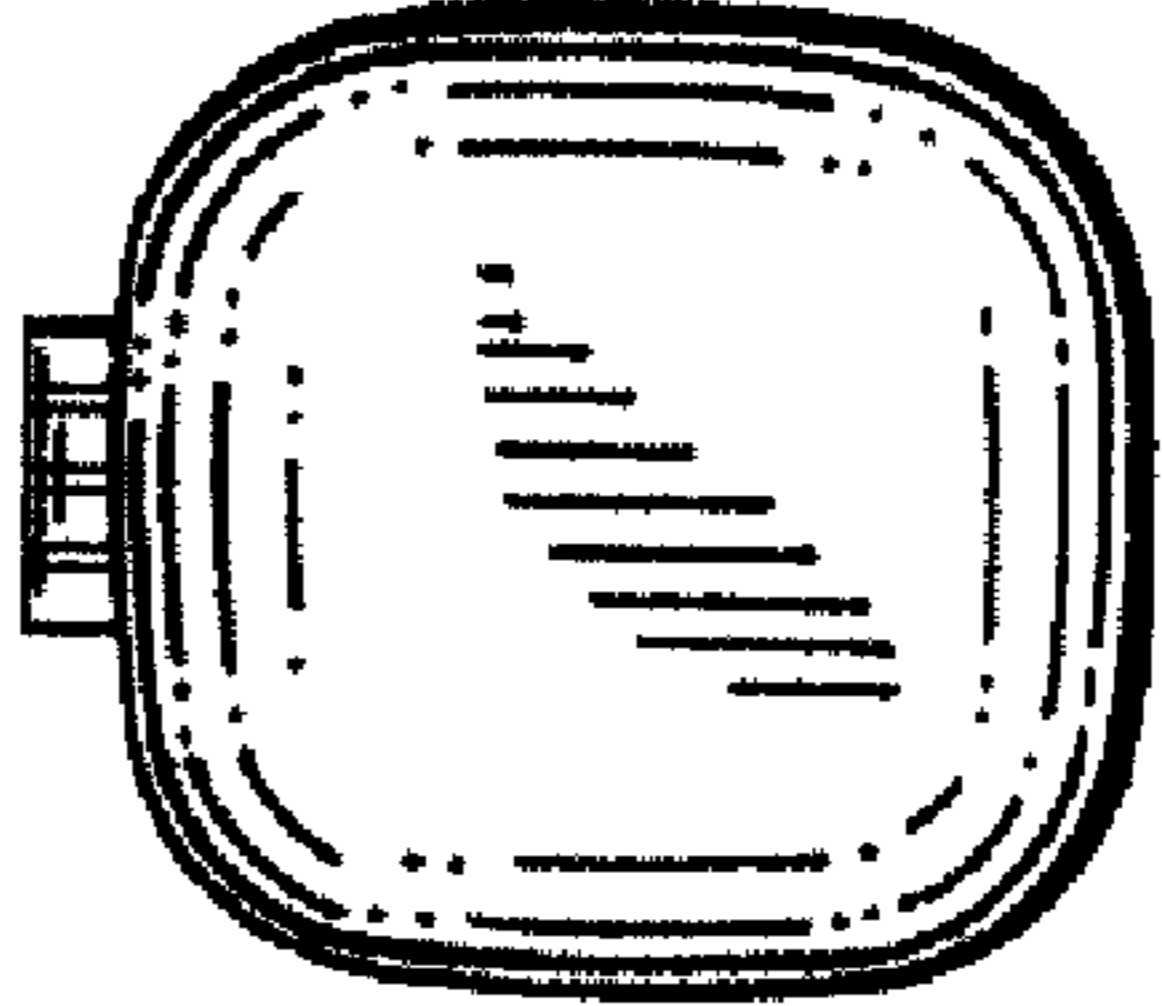


FIG. 7

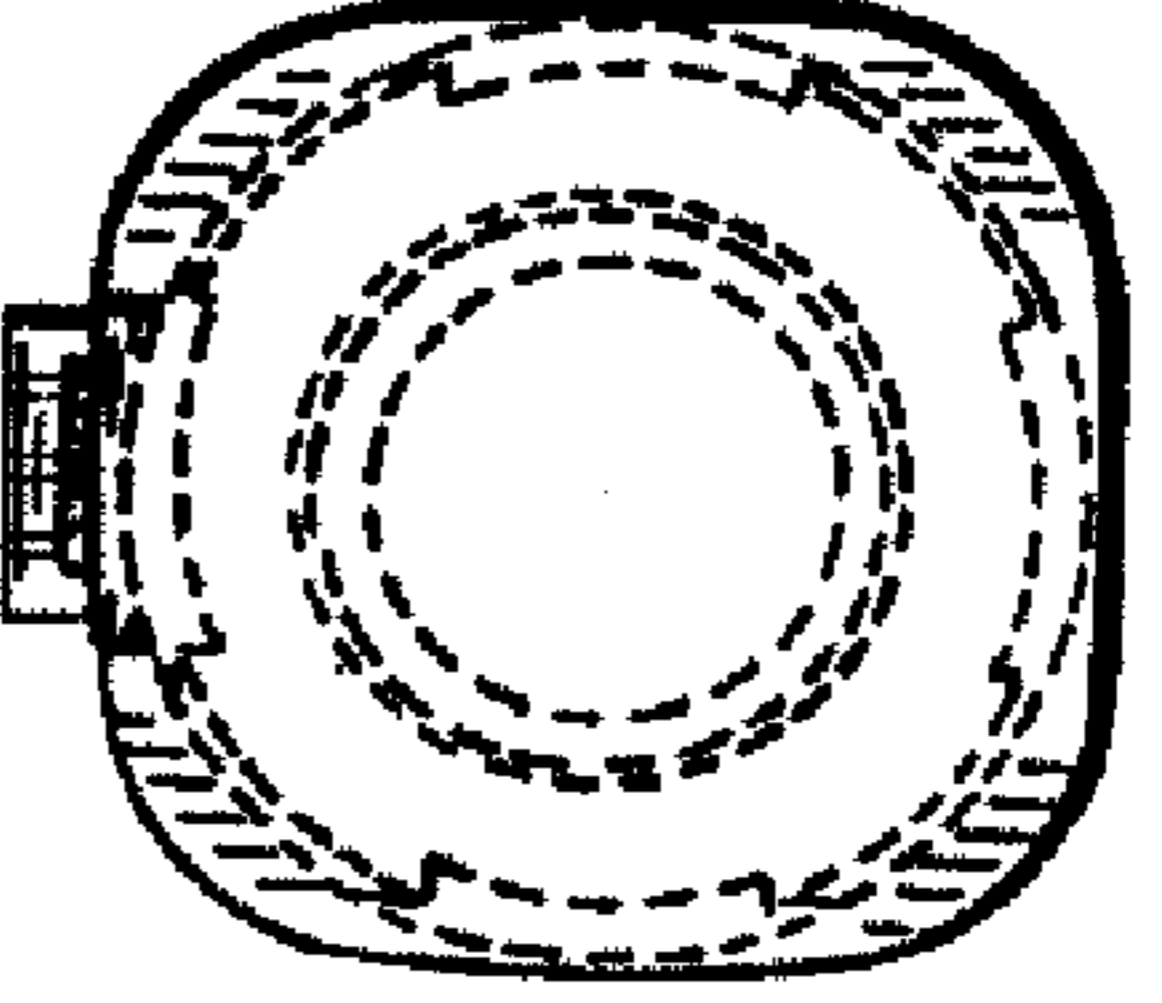


FIG. 6

FIG. 2

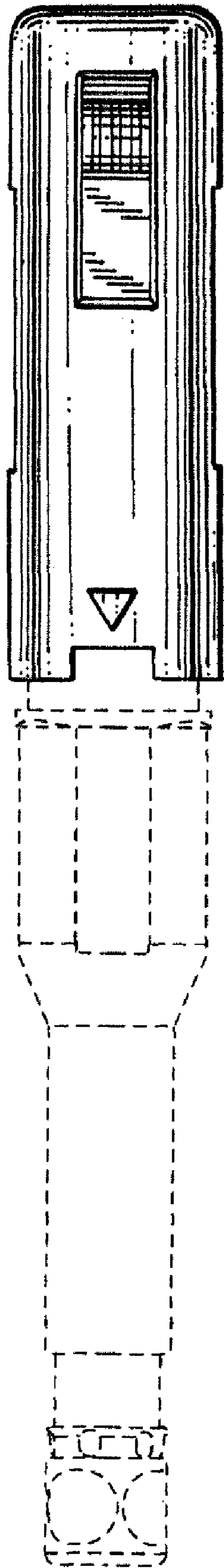


FIG. 3

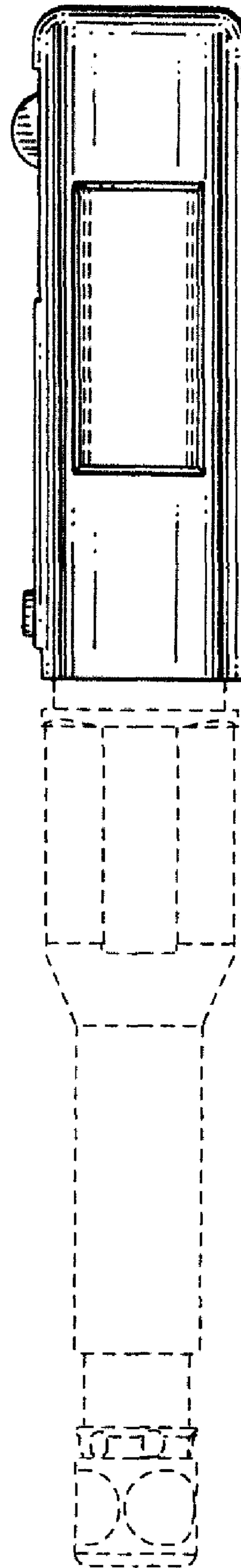


FIG. 4

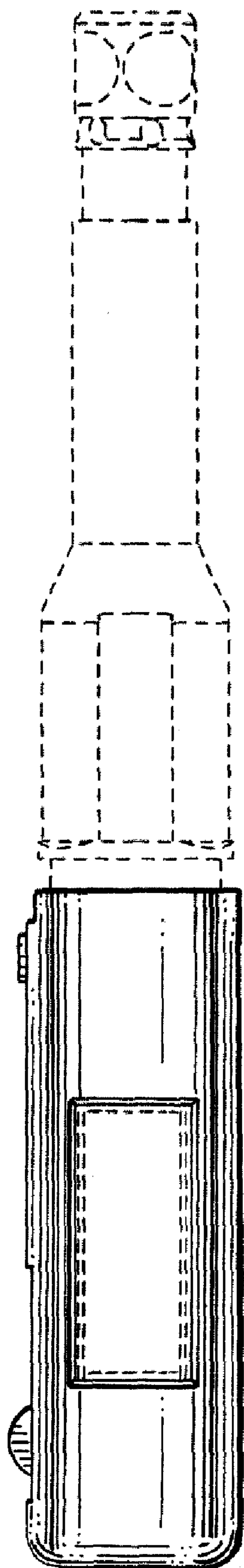


FIG. 5

