



US00D634421S

(12) **United States Design Patent**
El-Gad et al.

(10) **Patent No.:** **US D634,421 S**
(45) **Date of Patent:** **** Mar. 15, 2011**

(54) **AUTO INJECTION DEVICE WITH OVER MOULD GRIP**

(75) Inventors: **Tomer El-Gad**, Rehovot (IL); **Paul Greenhalgh**, Newport Pagnell (GB); **David George Robinson**, Cambridge (GB)

(73) Assignee: **Teva Pharmaceutical Industries, Ltd.**, Petach-Tikva (IL)

(**) Term: **14 Years**

(21) Appl. No.: **29/370,417**

(22) Filed: **Jul. 14, 2010**

(51) **LOC (9) Cl.** **24-02**

(52) **U.S. Cl.** **D24/113**

(58) **Field of Classification Search** D24/112-114,
D24/133, 186, 104, 130, 127; 606/181, 185;
604/232, 187, 158, 164.08, 192, 263, 163,
604/181, 184, 198, 227, 154; D8/83, 24,
D8/25, 107

See application file for complete search history.

(56) **References Cited**

U.S. PATENT DOCUMENTS

D289,687	S	*	5/1987	Boyle et al.	D24/112
4,950,246	A	*	8/1990	Muller	604/154
D312,377	S	*	11/1990	Everding et al.	D8/107
5,137,516	A		8/1992	Rand et al.		
D375,243	S	*	11/1996	Hasegawa	D8/107
D381,426	S	*	7/1997	Koros et al.	D24/133
D417,373	S	*	12/1999	Neyton et al.	D8/25
D436,828	S	*	1/2001	Benktzon et al.	D8/107
D454,047	S	*	3/2002	Hung	D8/107
D462,003	S	*	8/2002	Juhlin	D8/107
D462,588	S	*	9/2002	Kisby	D8/107
D465,716	S	*	11/2002	Hsieh	D8/107

RE39,008	E	*	3/2006	Ryu	D8/107
7,442,185	B2		10/2008	Amark et al.		
D617,171	S	*	6/2010	Chang	D8/107
2004/0039336	A1		2/2004	Amark et al.		

FOREIGN PATENT DOCUMENTS

EP			1349590		5/2006
WO			WO 02/47746		6/2002
WO			PCT/US2010/001972		7/2010

OTHER PUBLICATIONS

U.S. Appl. No. 61/271,009, filed Jul. 15, 2009, Altman, et al.
U.S. Appl. No. 61/271,340, filed Jul. 20, 2009, Altman, et al.
U.S. Appl. No. 61/337,011, filed Jan. 29, 2010, Altman, et al.
U.S. Appl. No. 12/761,367, filed Apr. 15, 2010, Altman, et al.
U.S. Appl. No. 12/785,125, filed May 21, 2010, Altman, et al.
U.S. Appl. No. 29/370,420, filed Jul. 14, 2010, Tomer El-Gad, et al.

* cited by examiner

Primary Examiner — David G Muller

(74) *Attorney, Agent, or Firm* — John P. White; Cooper & Dunham LLP

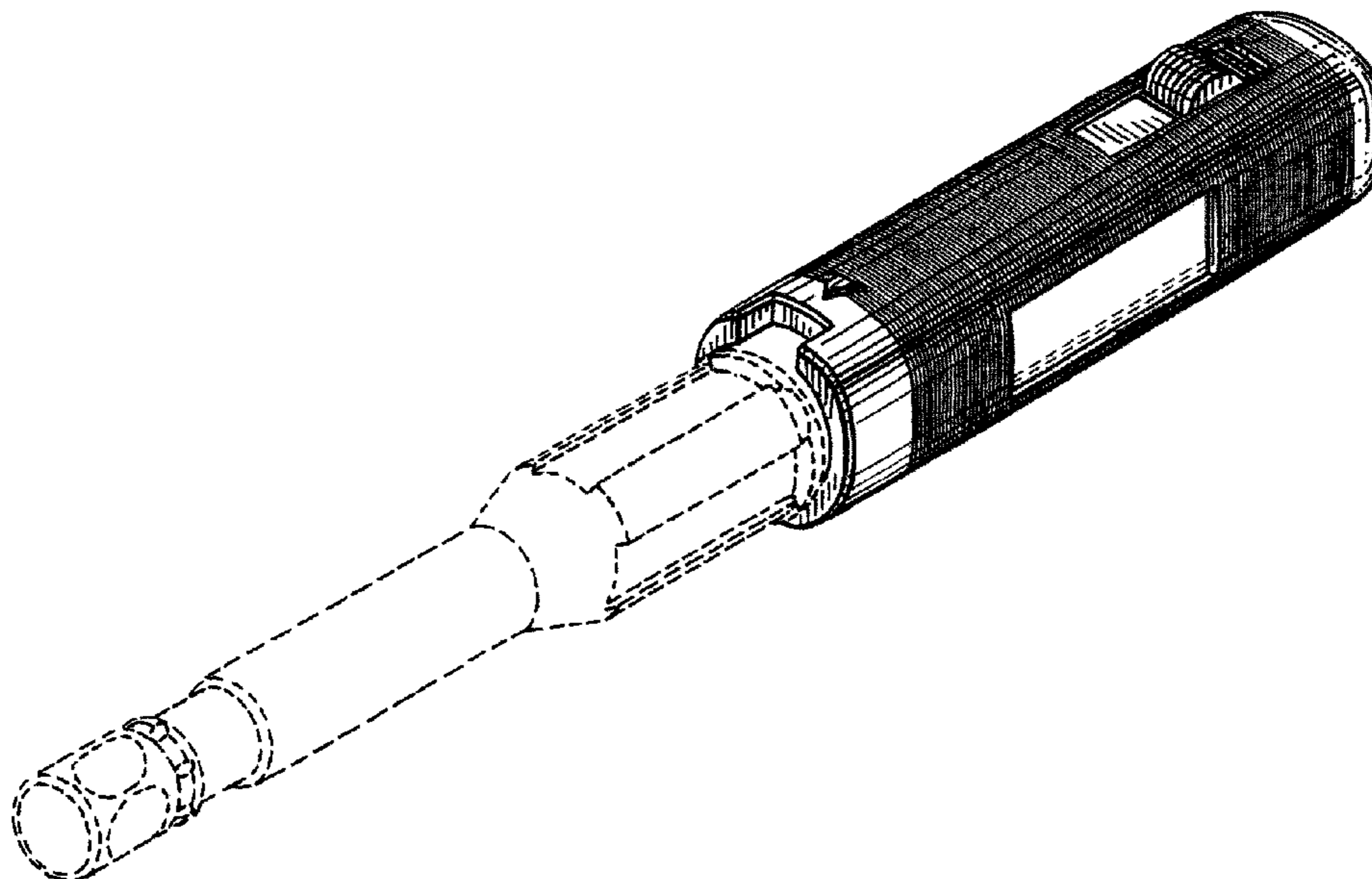
(57) **CLAIM**

The ornamental design for an auto injection device with over mould grip, as shown and described.

DESCRIPTION

FIG. 1 is a perspective top view thereof;
FIG. 2 is a top view thereof;
FIG. 3 is a front view thereof;
FIG. 4 is a back view thereof;
FIG. 5 is a bottom view thereof;
FIG. 6 is a side view thereof; and,
FIG. 7 is an opposite side view thereof.
The broken line showing of parts of the drawings is included for the purpose of illustrating use and environment and forms no part of the claimed design.

1 Claim, 3 Drawing Sheets



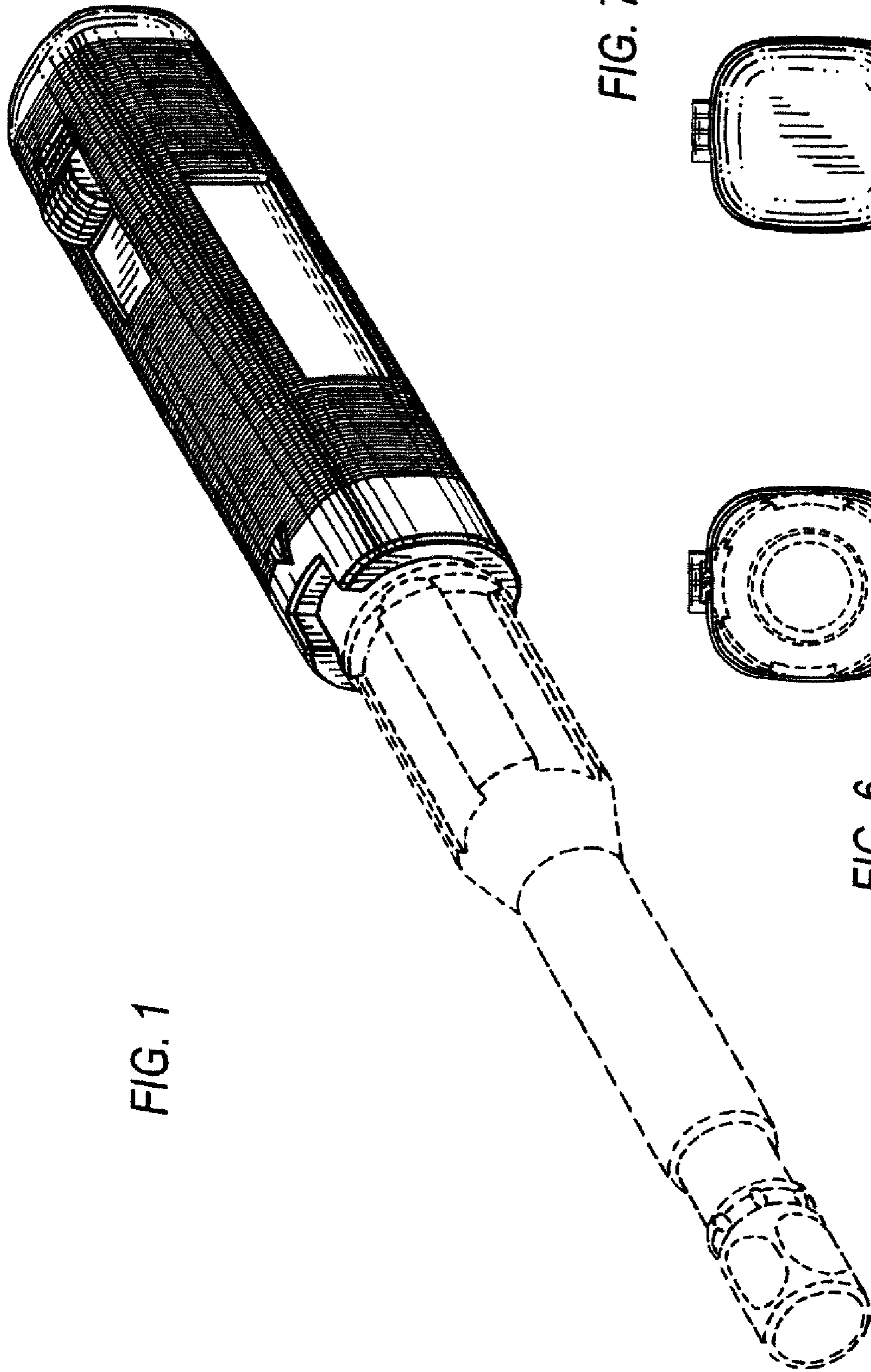


FIG. 1

FIG. 7

FIG. 6

FIG. 2

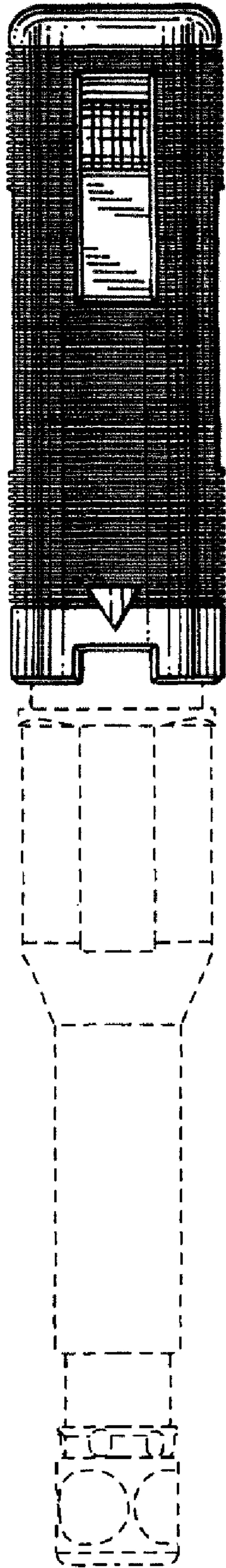
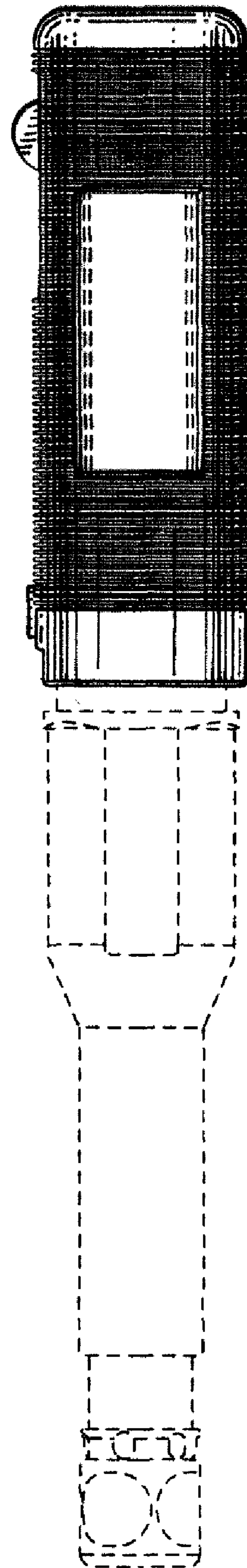


FIG. 3



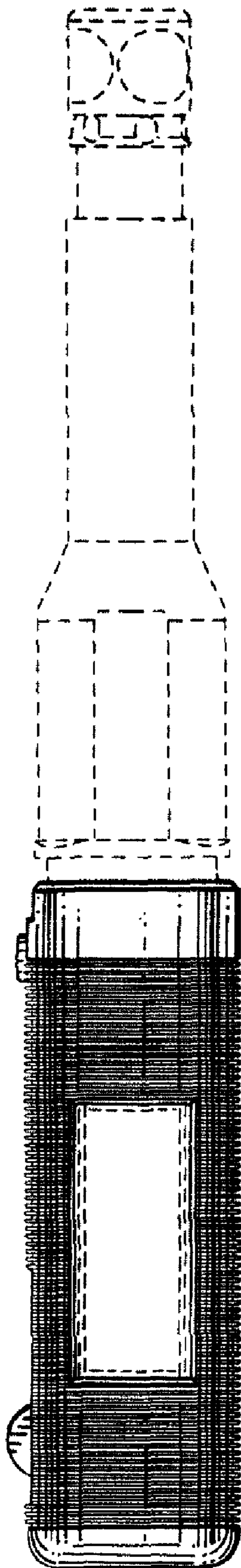


FIG. 4

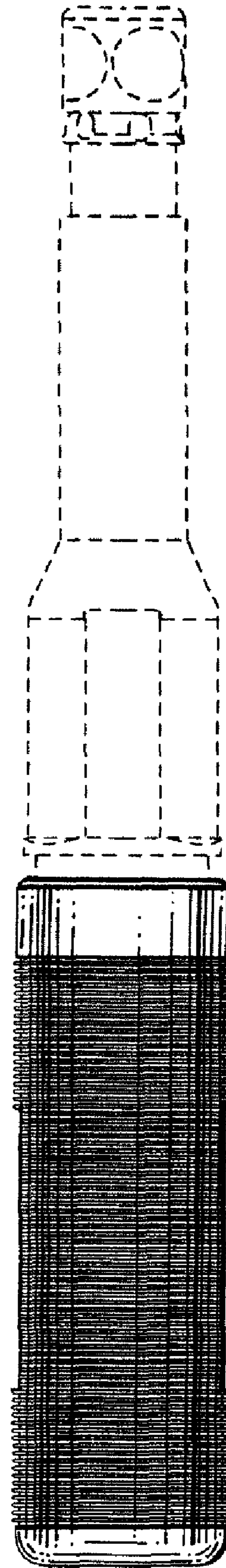


FIG. 5