



US00D634420S

(12) **United States Design Patent**
Hanada et al.

(10) **Patent No.:** **US D634,420 S**

(45) **Date of Patent:** **** Mar. 15, 2011**

(54) **VALVE**

(75) Inventors: **Toshihiro Hanada**, Nobeoka (JP);
Takeshi Hamada, Nobeoka (JP)

(73) Assignee: **Asahi Organic Chemicals Industry Co., Ltd.**, Nobeoka-Shi, Miyazaki (JP)

(**) Term: **14 Years**

(21) Appl. No.: **29/302,488**

(22) Filed: **Jan. 17, 2008**

(30) **Foreign Application Priority Data**

Jul. 18, 2007 (JP) 2007-019490
Nov. 30, 2007 (JP) 2007-032960

(51) **LOC (9) Cl.** **29-02**

(52) **U.S. Cl.** **D24/110.6; D23/233**

(58) **Field of Classification Search** D24/110.6,
D24/164, 129; D23/233-237, 244-249;
251/331, 219, 129.04; 137/554, 557; 439/738;
359/855; 128/200.14, 204.19
See application file for complete search history.

(56) **References Cited**

U.S. PATENT DOCUMENTS

4,436,090 A * 3/1984 Darling 128/204.26
D300,270 S * 3/1989 Rudolph et al. D24/110.6

D300,273 S * 3/1989 Rudolph et al. D24/110.6
D300,274 S * 3/1989 Rudolph et al. D24/110.6
D303,586 S * 9/1989 Rudolph et al. D24/110.6
D305,165 S * 12/1989 Rudolph et al. D24/110.6
D306,086 S * 2/1990 Rudolph et al. D24/110.6

FOREIGN PATENT DOCUMENTS

JP D1239771 5/2005

* cited by examiner

Primary Examiner — Ian Simmons

Assistant Examiner — Christopher Lee

(74) *Attorney, Agent, or Firm* — Buchanan Ingersoll & Rooney PC

(57) **CLAIM**

The ornamental design for a valve, as shown and described.

DESCRIPTION

FIG. 1 is a front perspective view of a valve showing our new design;

FIG. 2 is a rear perspective view thereof;

FIG. 3 is a front elevational view thereof;

FIG. 4 is a rear elevational view thereof;

FIG. 5 is a left side elevational view thereof;

FIG. 6 is a right side elevational view thereof;

FIG. 7 is a top plan view thereof; and,

FIG. 8 is a bottom plan view thereof.

The broken lines are for illustrative purposes only and form no part of the claimed design.

1 Claim, 4 Drawing Sheets

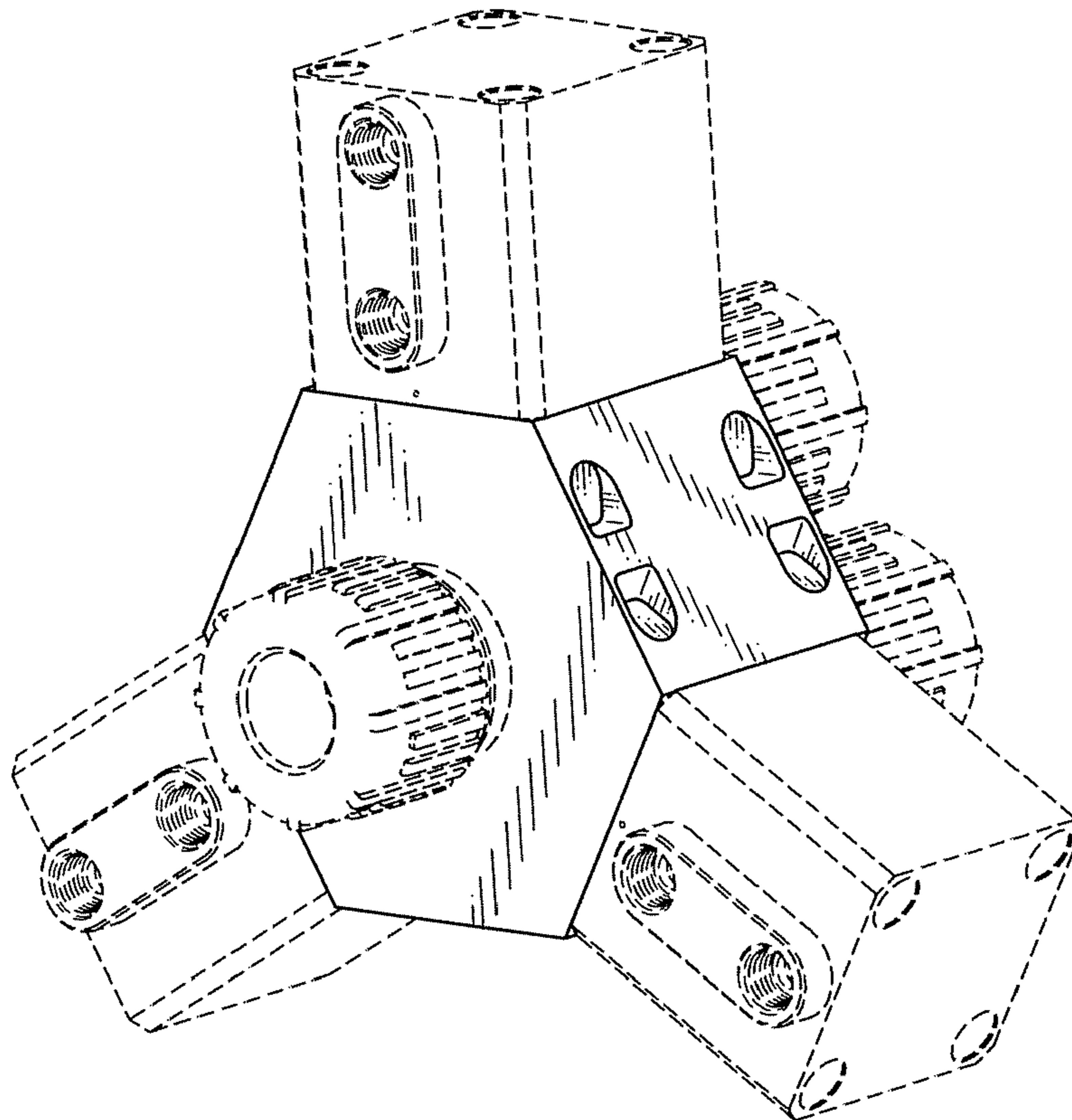


Fig.1

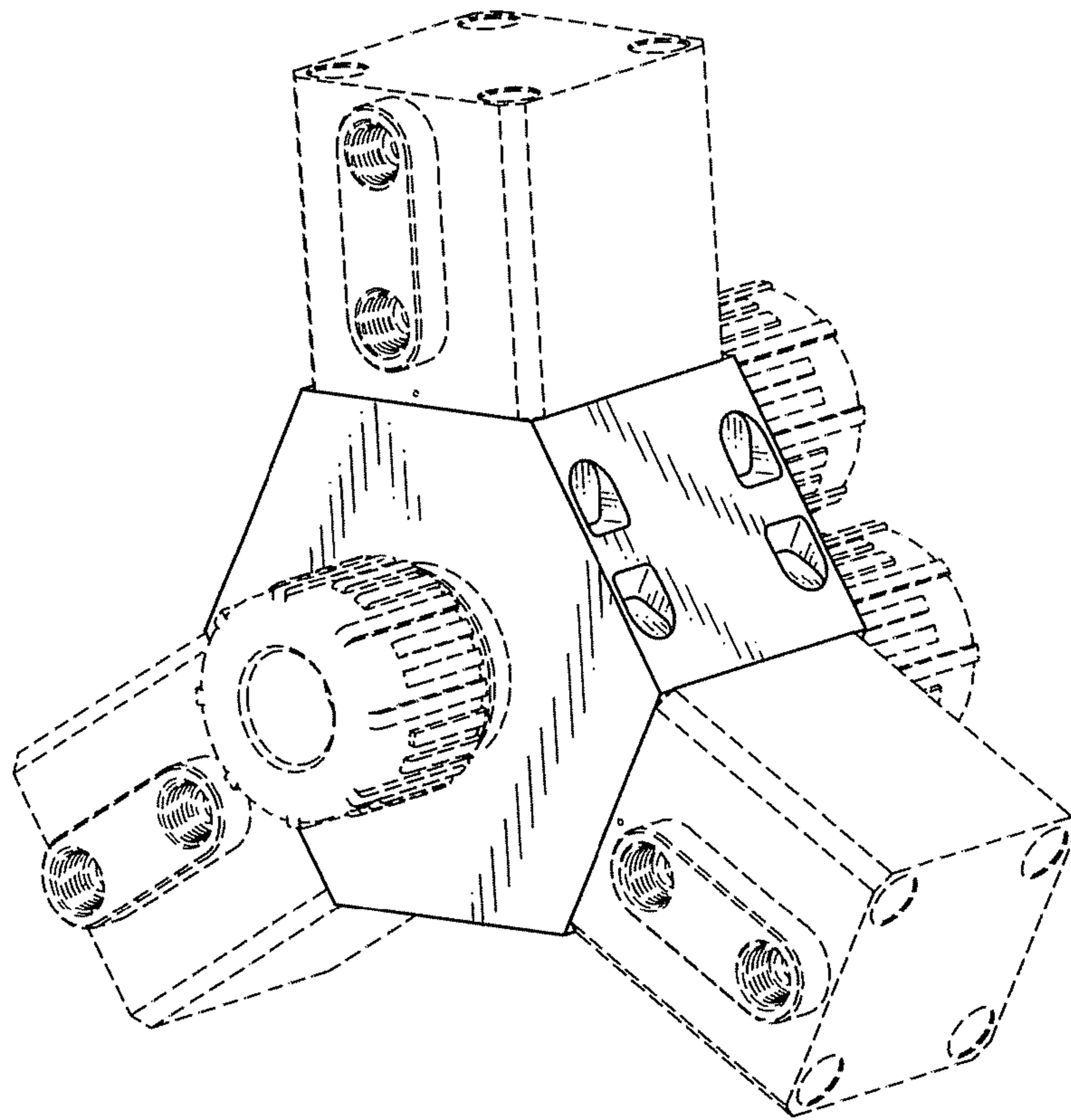


Fig.2

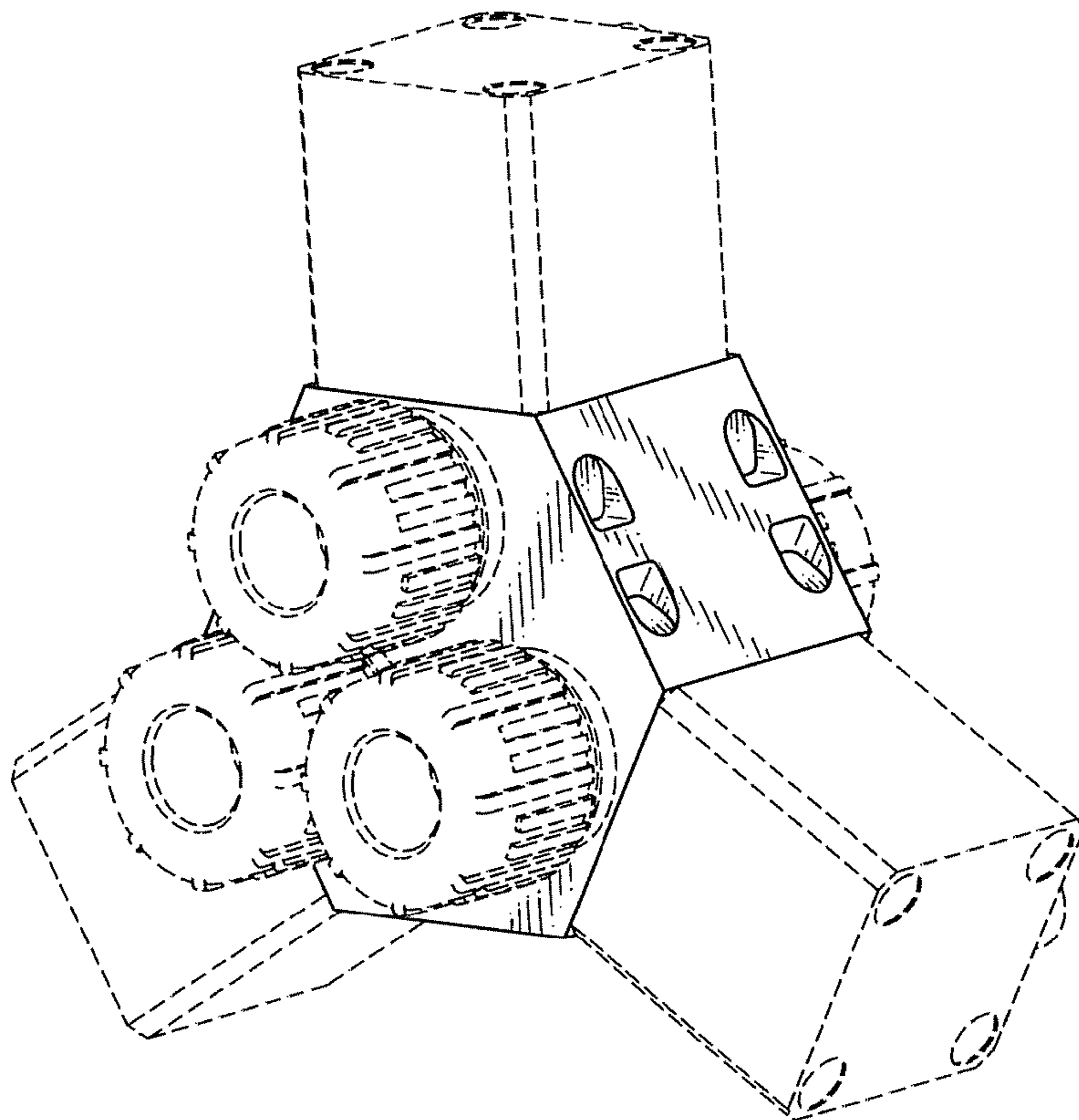


Fig.3

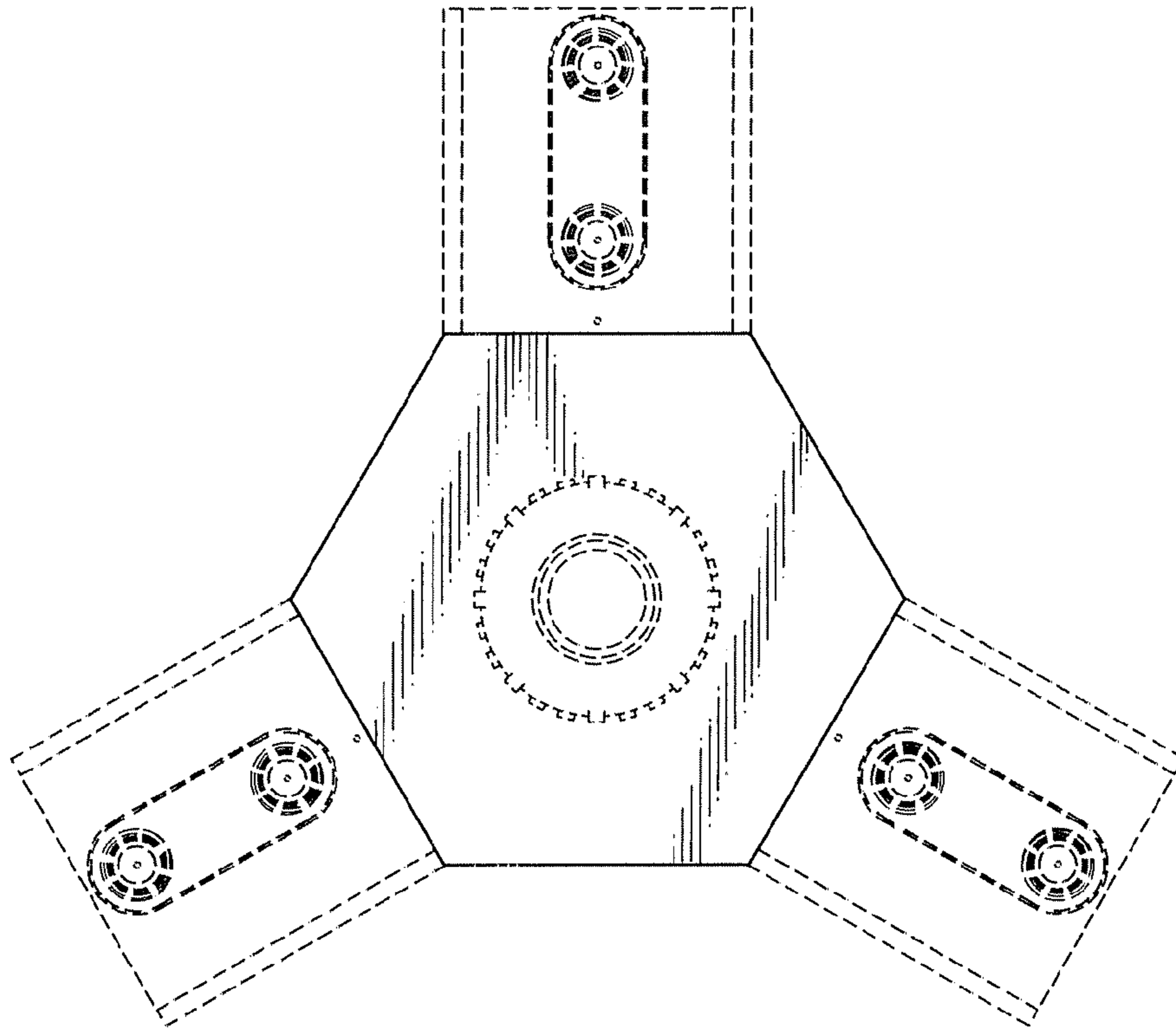


Fig. 4

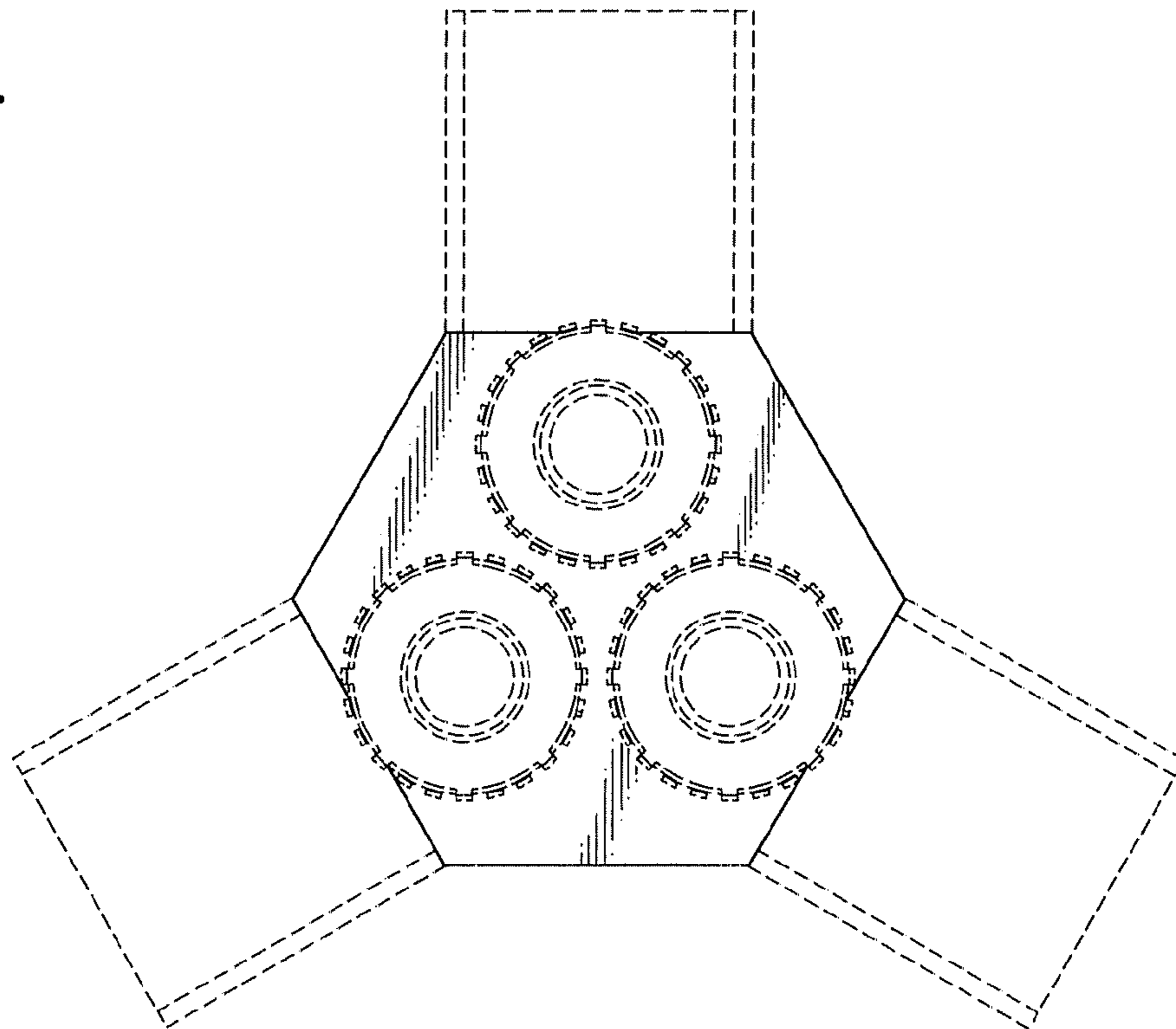


Fig.5

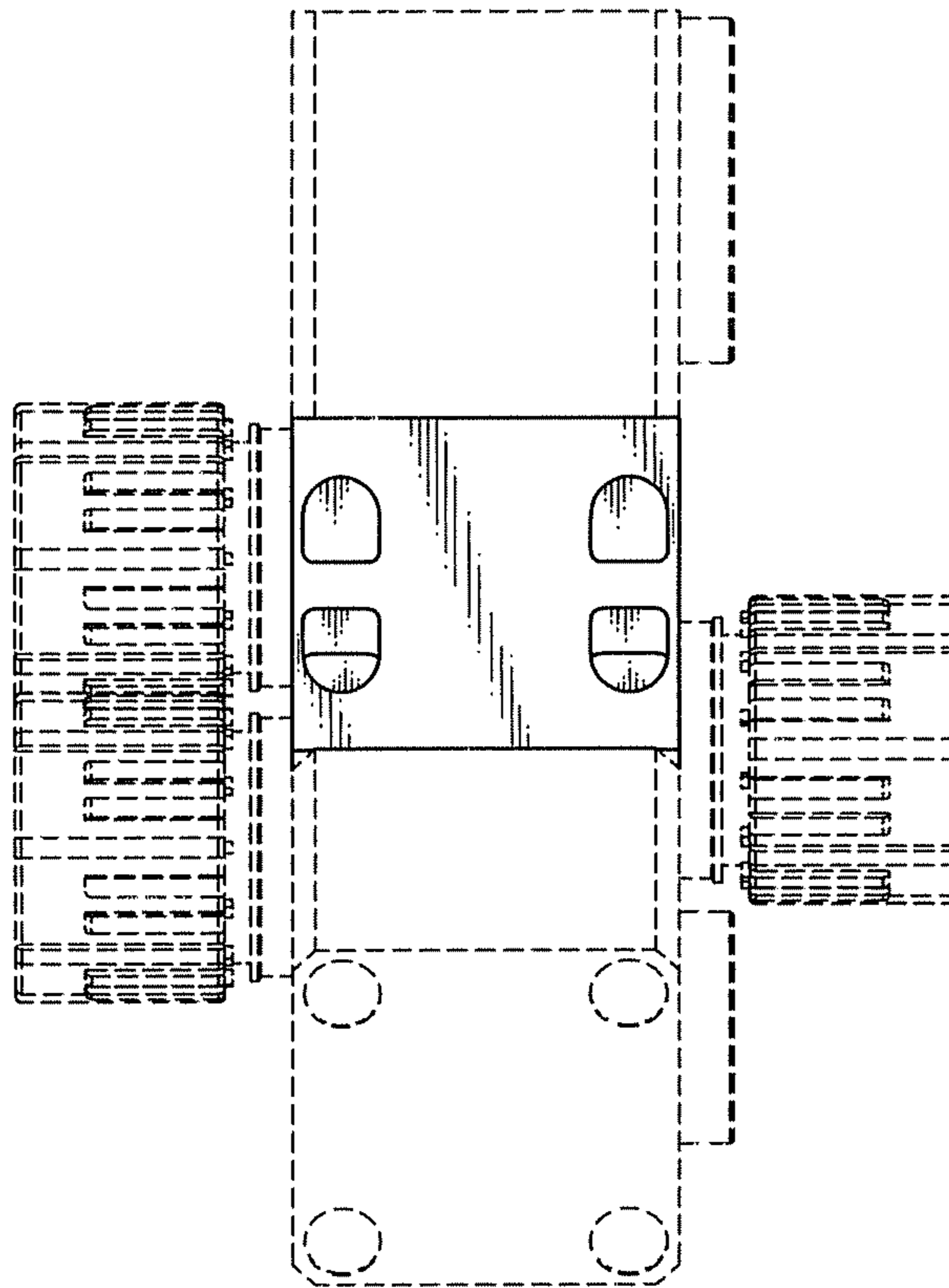


Fig.6

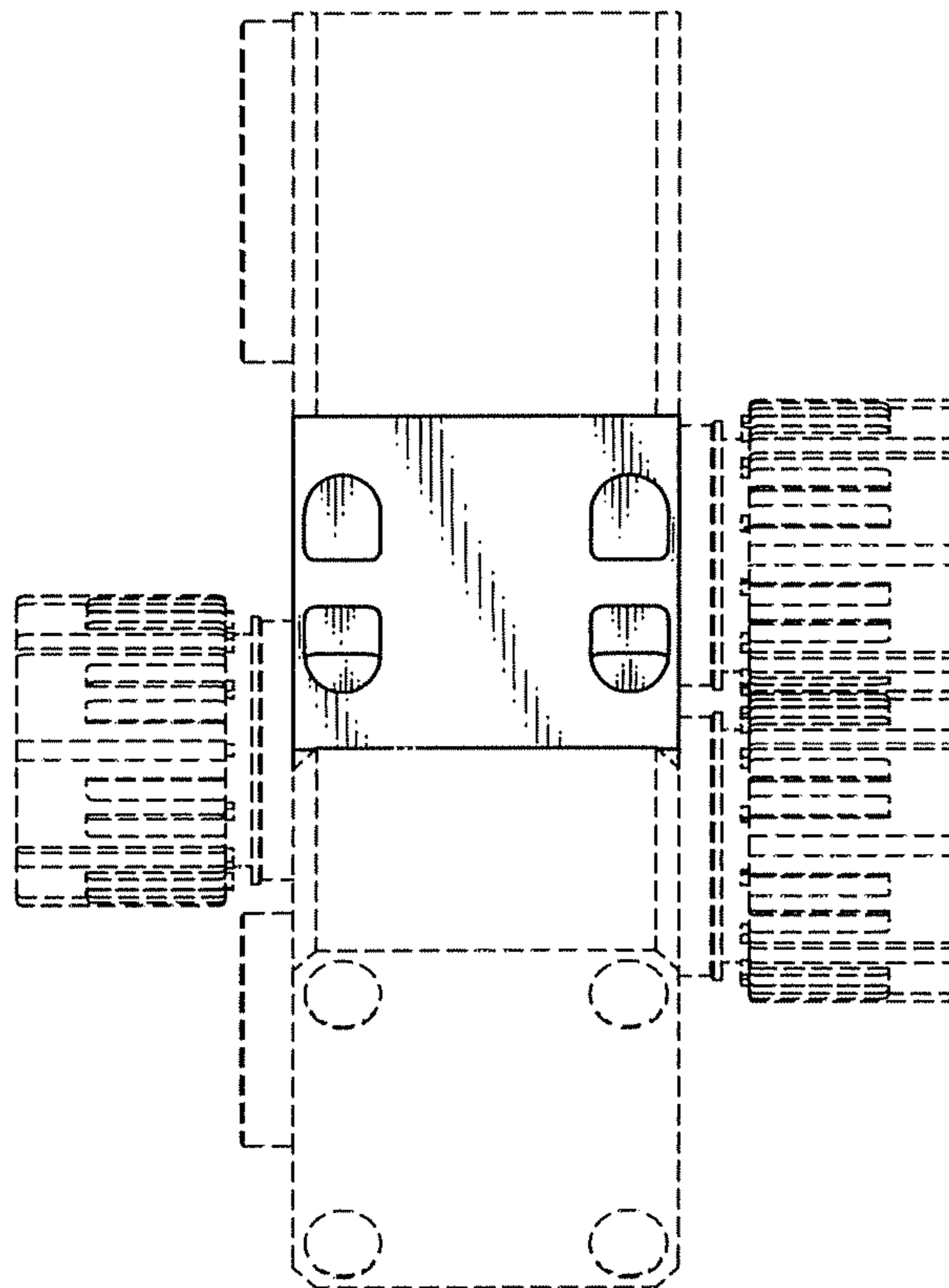


Fig.7

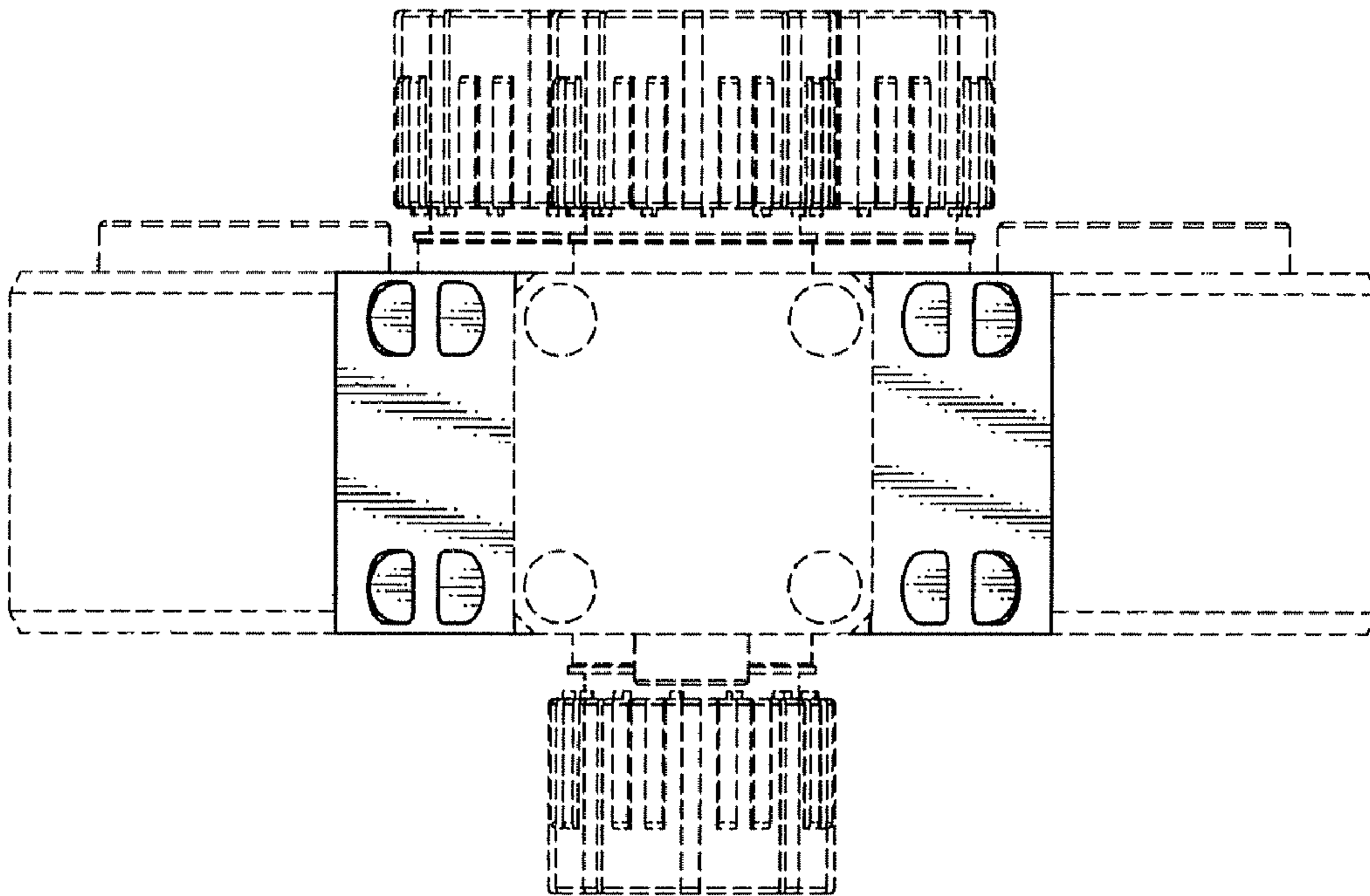


Fig.8

