



US00D634410S

(12) **United States Design Patent**
Palomba et al.

(10) **Patent No.:** **US D634,410 S**

(45) **Date of Patent:** **** Mar. 15, 2011**

(54) **SMOOTH OVAL SINK**

(75) Inventors: **Roberto Palomba**, Milan (IT);
Ludovica Palomba, Milan (IT)

(73) Assignee: **Keramik Holding AG Laufen**, Laufen
(CH)

(**) Term: **14 Years**

(21) Appl. No.: **29/365,216**

(22) Filed: **Jul. 6, 2010**

(51) **LOC (9) Cl.** **23-02**

(52) **U.S. Cl.** **D23/284**

(58) **Field of Classification Search** D23/284,
D23/287, 293.1, 308; 4/619, 663
See application file for complete search history.

(56) **References Cited**

U.S. PATENT DOCUMENTS

D396,271 S *	7/1998	Garza	D23/292
D540,442 S *	4/2007	Kohler et al.	D23/293.1
D598,080 S *	8/2009	Kergoet	D23/284

* cited by examiner

Primary Examiner — Robert A Delehanty

(74) *Attorney, Agent, or Firm* — Husch Blackwell LLP

(57) **CLAIM**

The ornamental design for a smooth oval sink, as shown and described.

DESCRIPTION

FIG. 1 is a top perspective view of a smooth oval sink showing the new design;

FIG. 2 is a bottom plan view of the smooth oval sink shown in FIG. 1;

FIG. 3 is a front elevational view of the smooth oval sink shown in FIG. 1;

FIG. 4 is a top plan view of the smooth oval sink shown in FIG. 1;

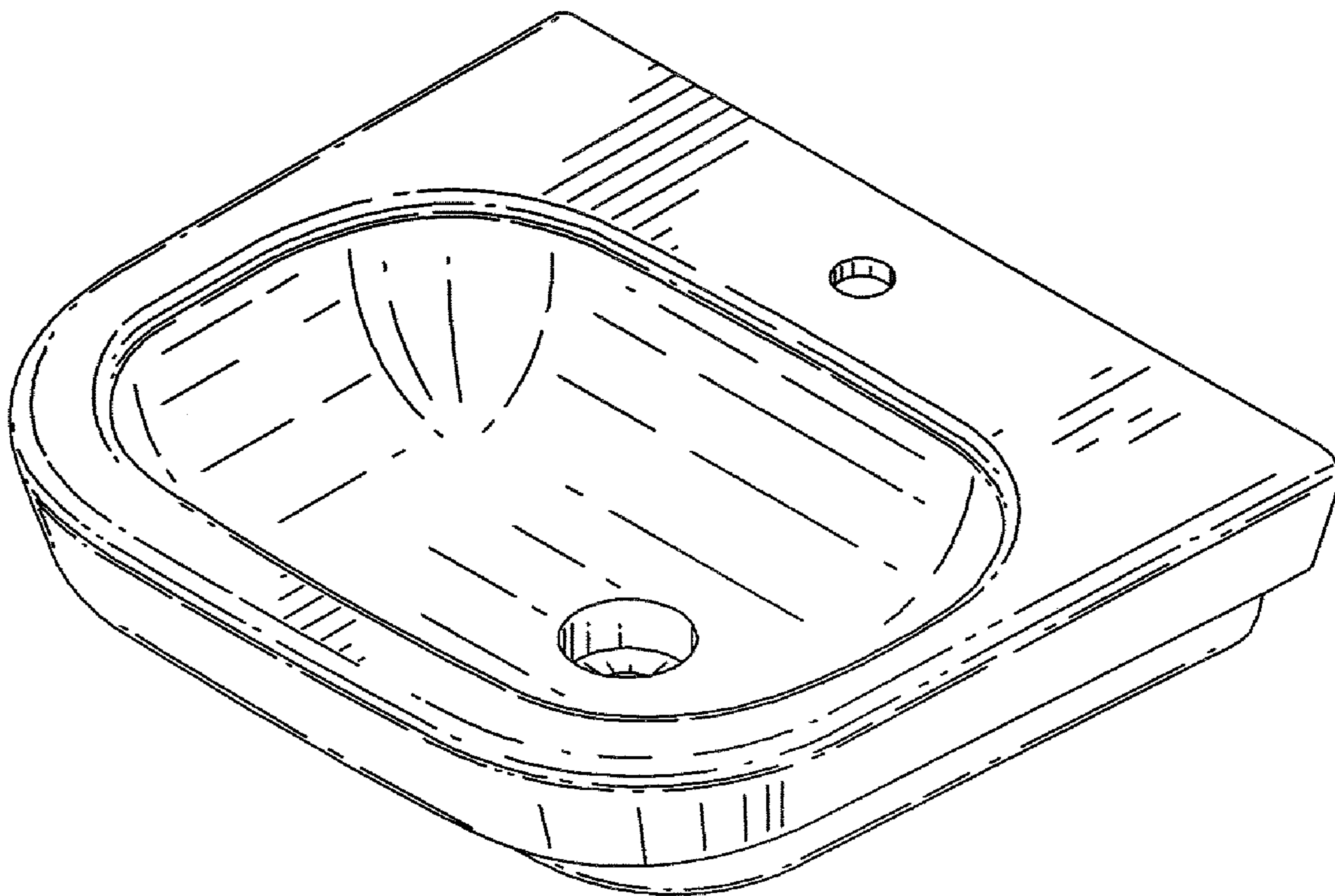
FIG. 5 is a right side elevational view of the smooth oval sink shown in FIG. 1;

FIG. 6 is a left side elevational view of the smooth oval sink shown in FIG. 1; and,

FIG. 7 is a rear elevational view of the smooth oval sink shown in FIG. 1.

The features shown in broken lines depict environmental subject matter only and form no part of the claimed design.

1 Claim, 2 Drawing Sheets



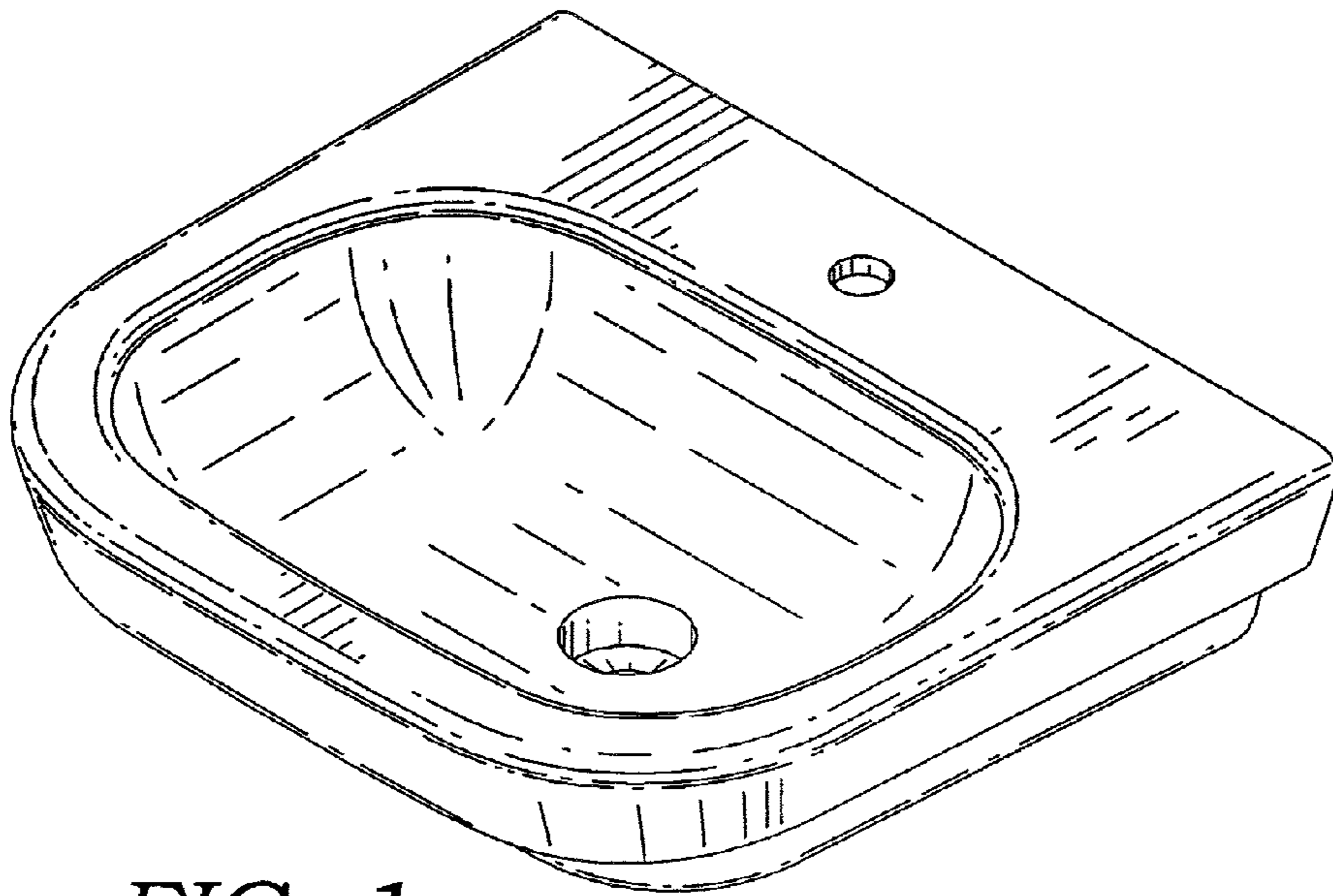


FIG. 1

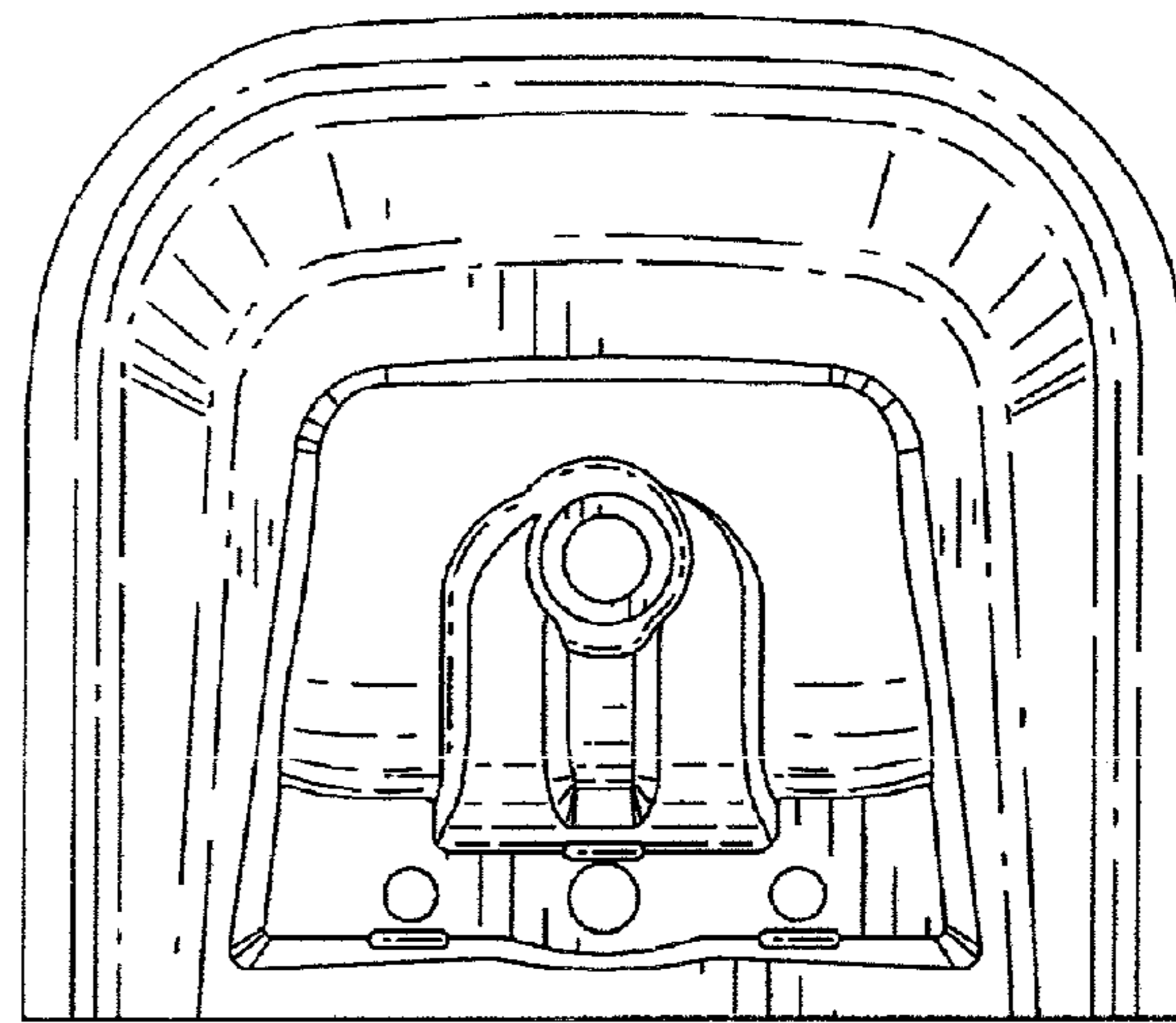


FIG. 2

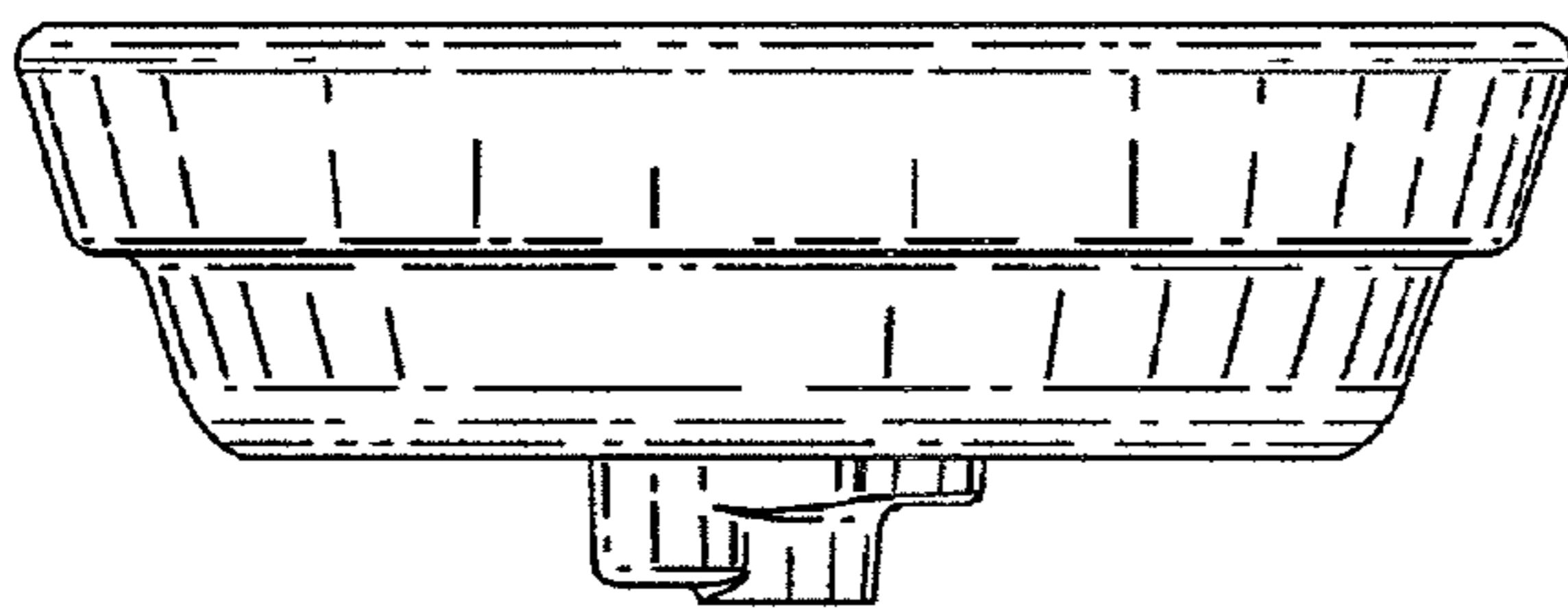


FIG. 3

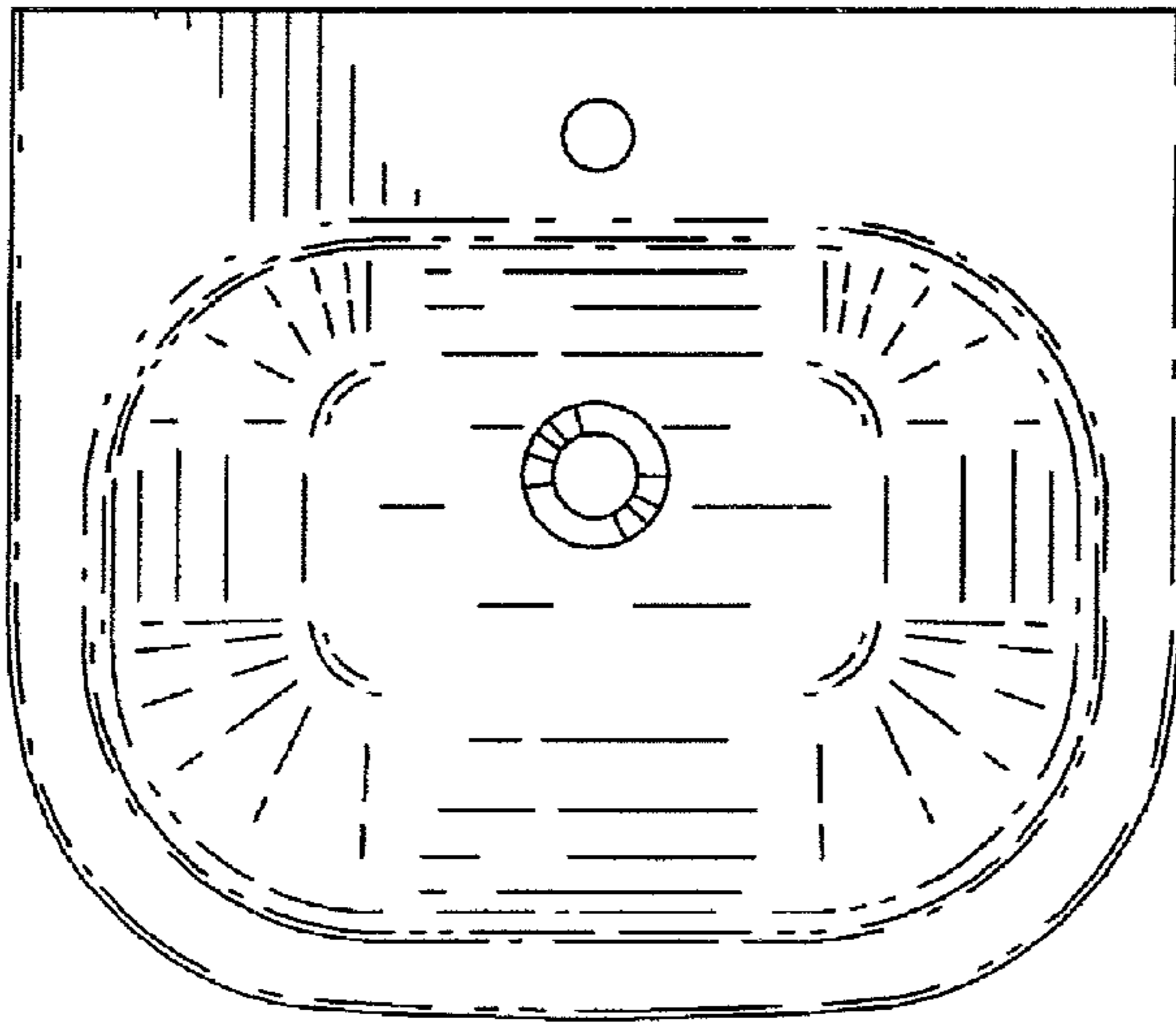


FIG. 4

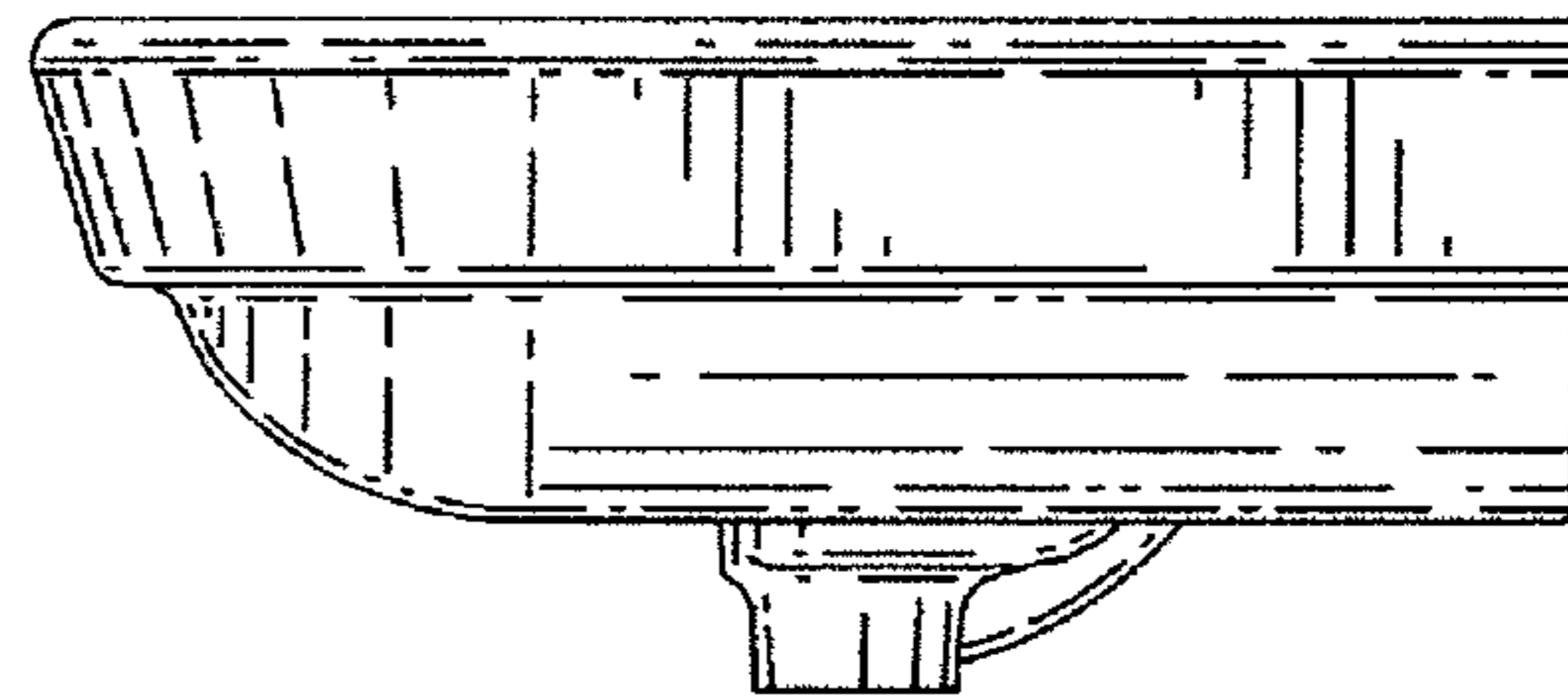


FIG. 5

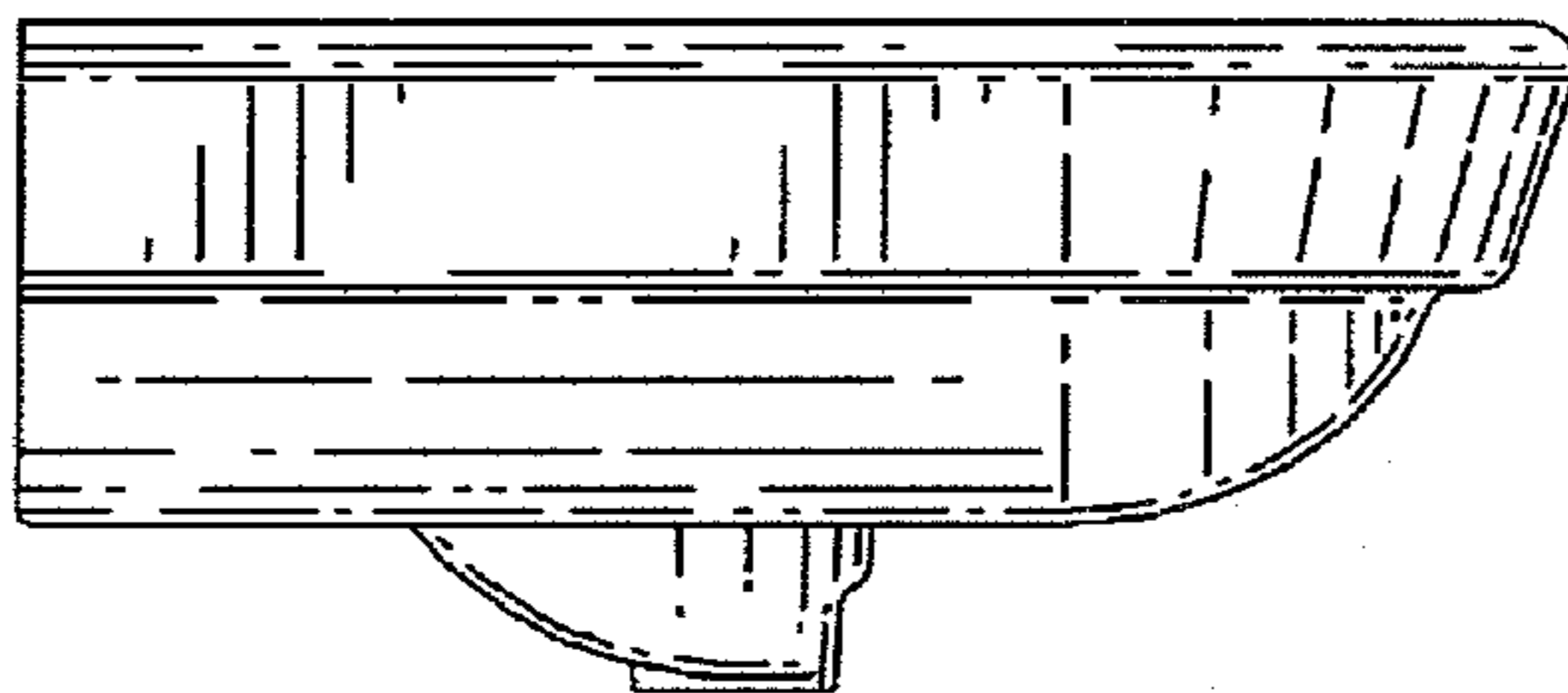


FIG. 6

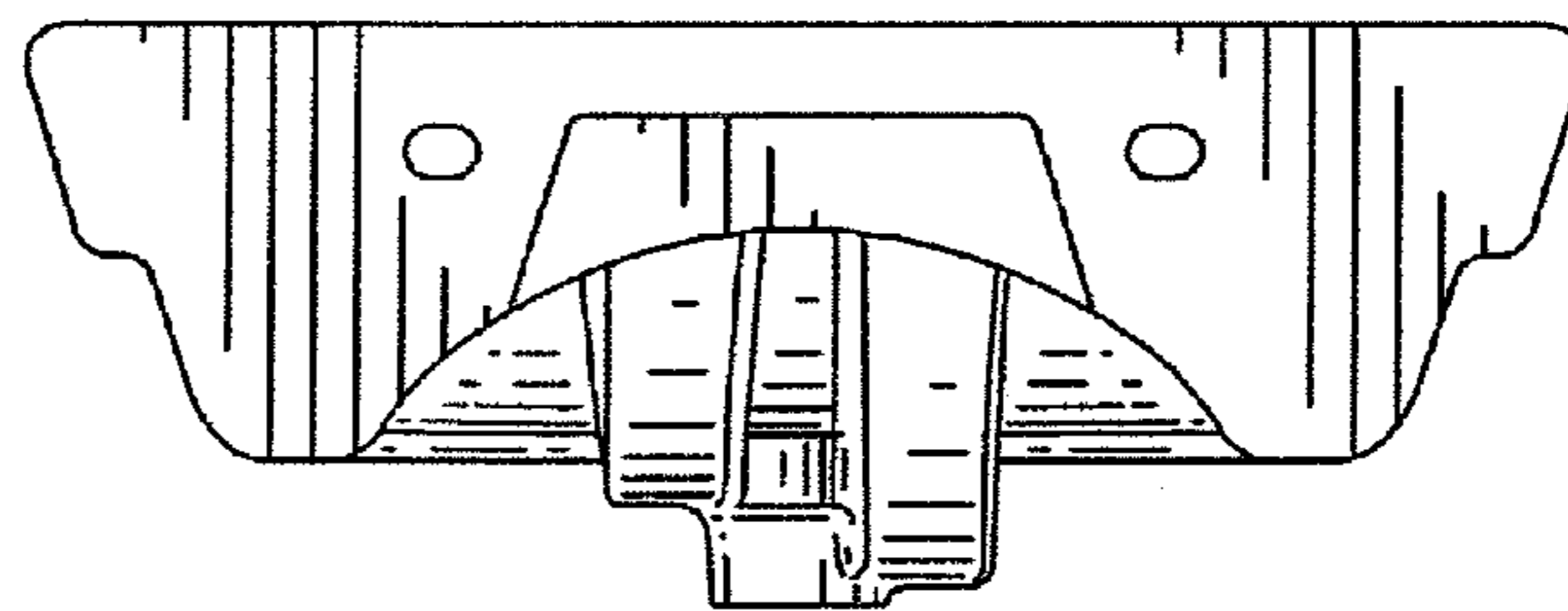


FIG. 7