



US00D634409S

(12) **United States Design Patent**
Palomba et al.

(10) **Patent No.:** **US D634,409 S**
(45) **Date of Patent:** **** Mar. 15, 2011**

(54) **BEVELED OVAL SINK**

(75) Inventors: **Roberto Palomba**, Milan (IT);
Ludovica Palomba, Milan (IT)

(73) Assignee: **Keramik Holding AG Laufen**, Laufen
(CH)

(**) Term: **14 Years**

(21) Appl. No.: **29/365,205**

(22) Filed: **Jul. 6, 2010**

(51) **LOC (9) Cl.** **23-02**

(52) **U.S. Cl.** **D23/284**

(58) **Field of Classification Search** D23/284,
D23/287, 293.1, 308; 4/619, 663

See application file for complete search history.

(56) **References Cited**

U.S. PATENT DOCUMENTS

D387,419 S	*	12/1997	Laguera Garza	D23/292
D396,271 S	*	7/1998	Garza	D23/292
D538,410 S	*	3/2007	Chensesseau	D23/293.1
D540,442 S	*	4/2007	Kohler et al.	D23/293.1
D598,080 S	*	8/2009	Kergoet	D23/284

* cited by examiner

Primary Examiner — Robert A Delehanty

(74) *Attorney, Agent, or Firm* — Husch Blackwell LLP

(57) **CLAIM**

The ornamental design for a beveled oval sink, as shown and described.

DESCRIPTION

FIG. 1 is a top perspective view of a beveled oval sink showing the new design;

FIG. 2 is a top plan view of the beveled oval sink shown in FIG. 1;

FIG. 3 is a front elevational view of the beveled oval sink shown in FIG. 1;

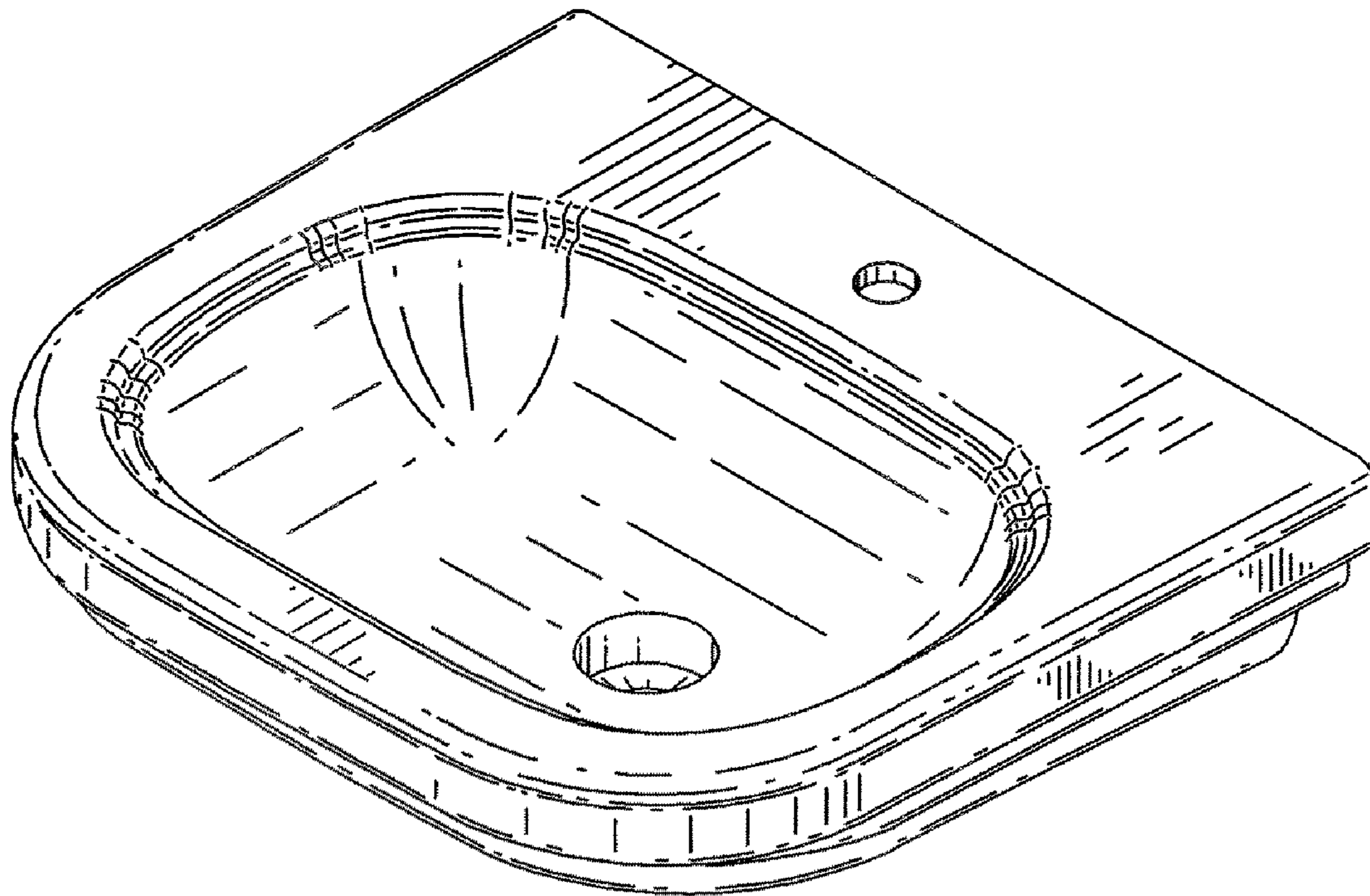
FIG. 4 is a bottom plan view of the beveled oval sink shown in FIG. 1;

FIG. 5 is a right side elevational view of the beveled oval sink shown in FIG. 1;

FIG. 6 is a left side elevational view of the beveled oval sink shown in FIG. 1; and,

FIG. 7 is a rear elevational view of the beveled oval sink shown in FIG. 1.

1 Claim, 2 Drawing Sheets



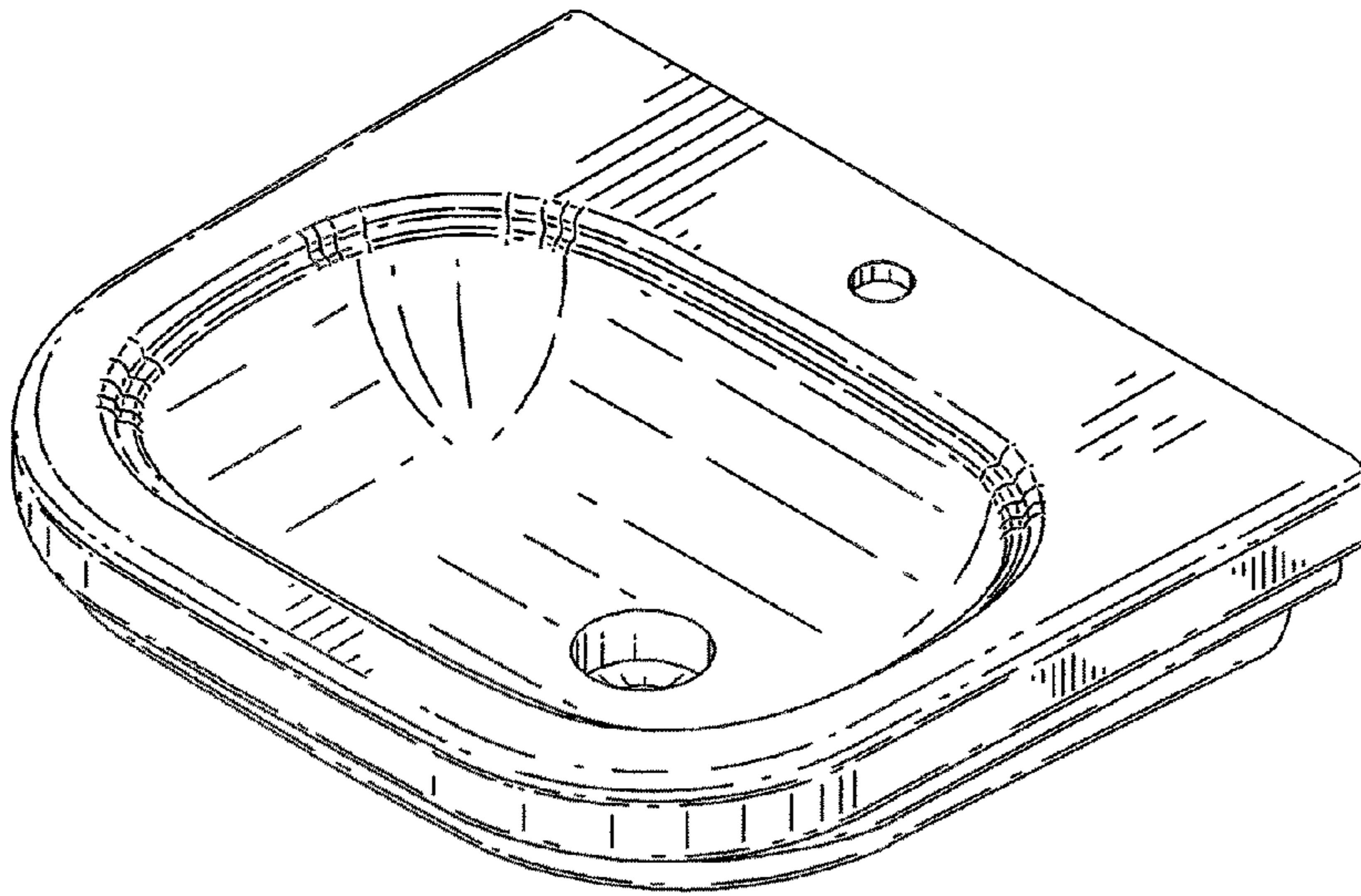


FIG. 1

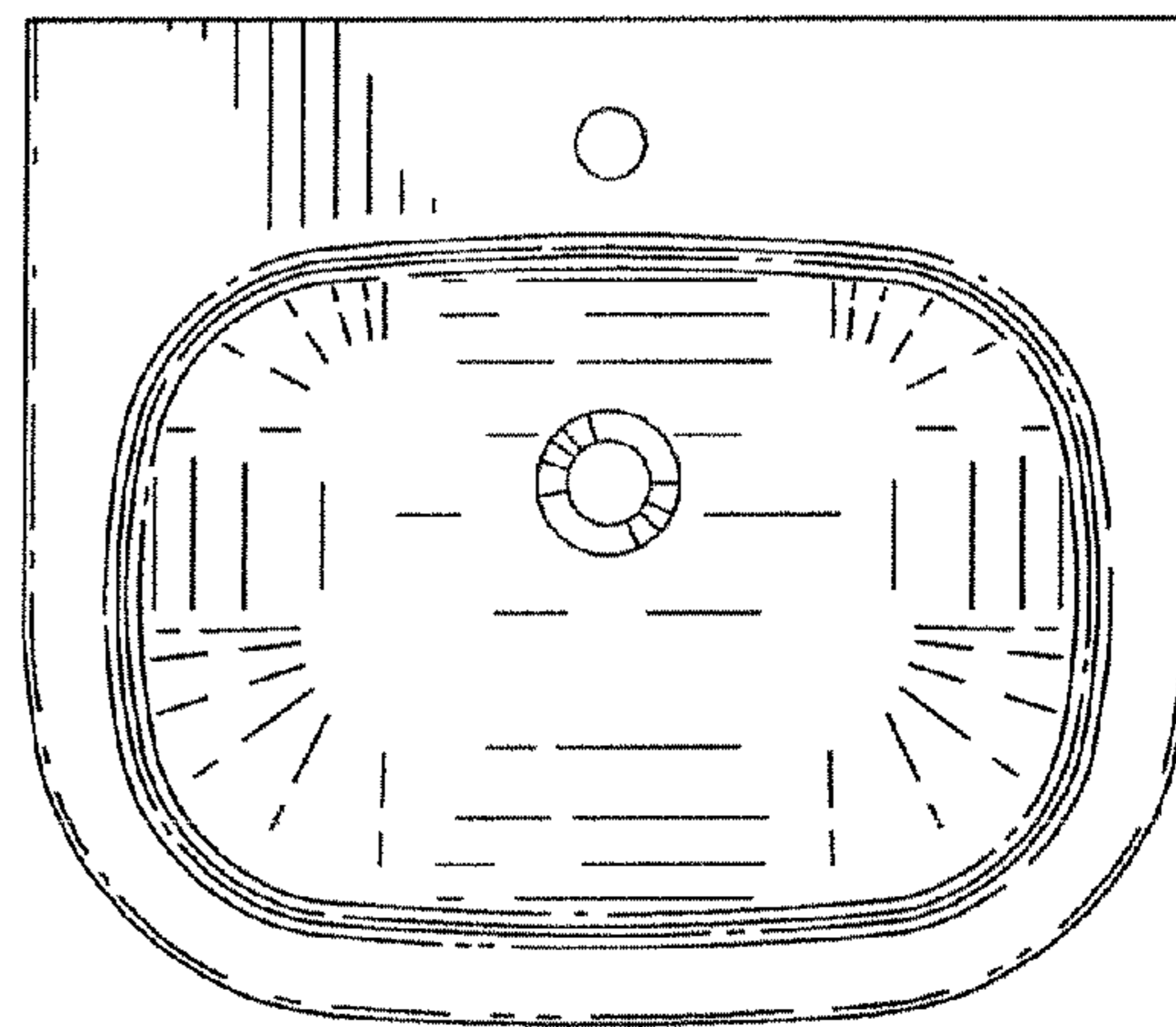


FIG. 2

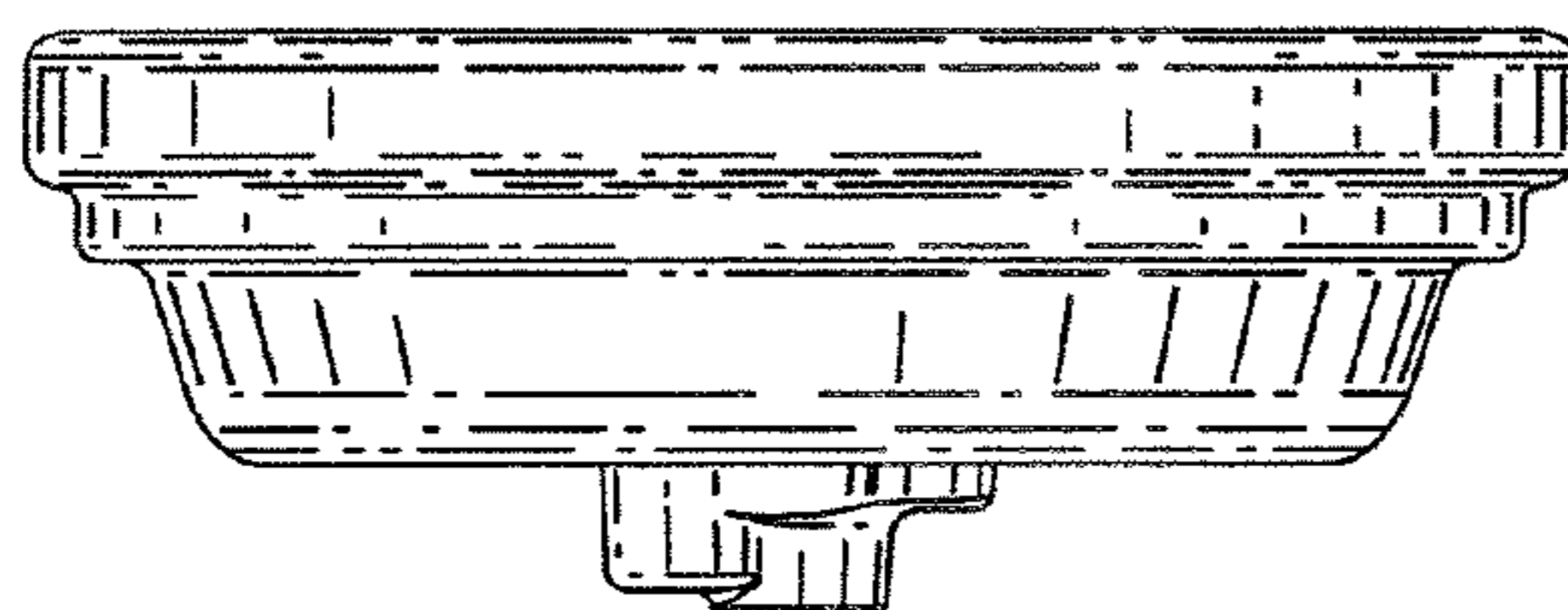


FIG. 3

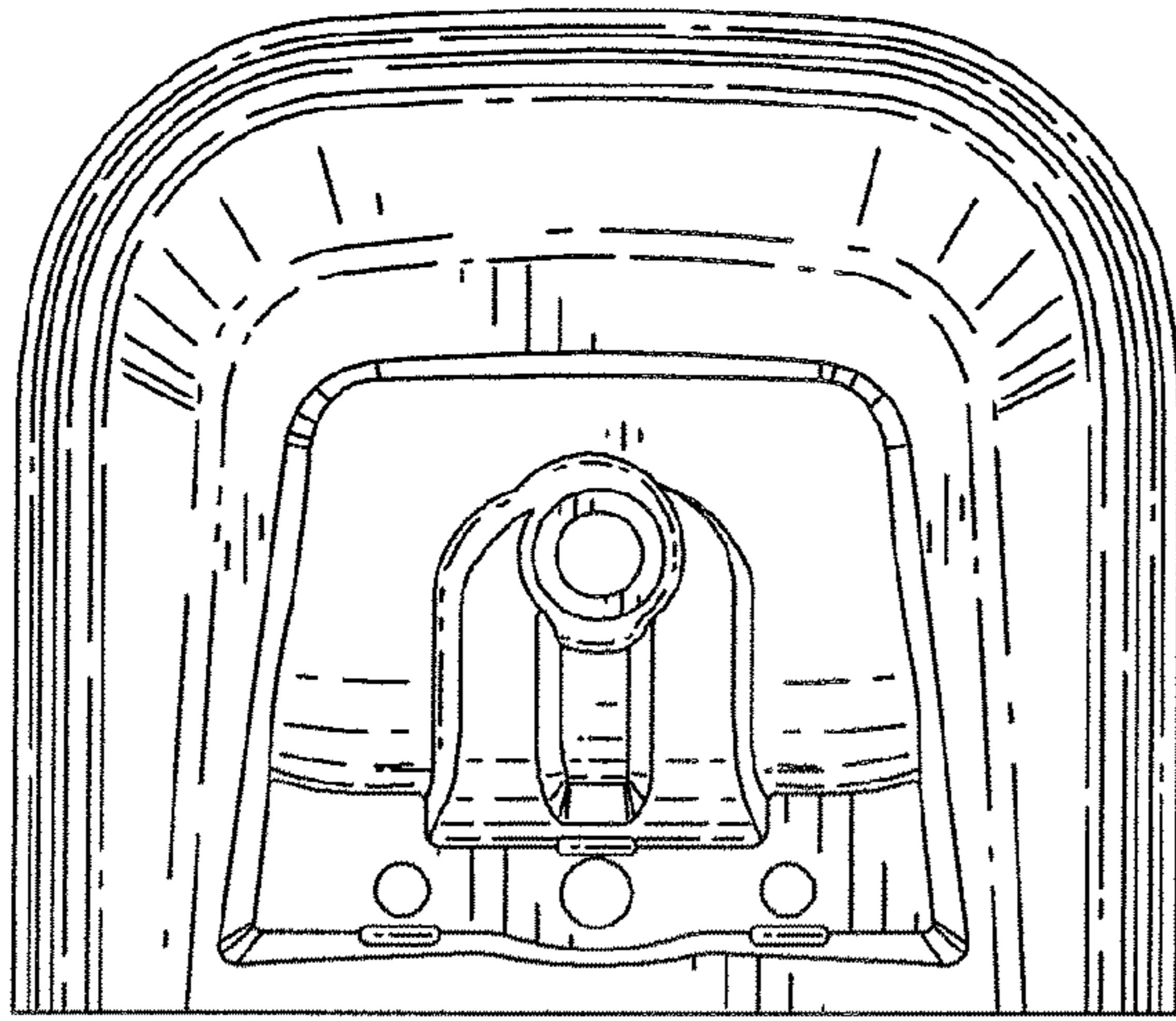


FIG. 4

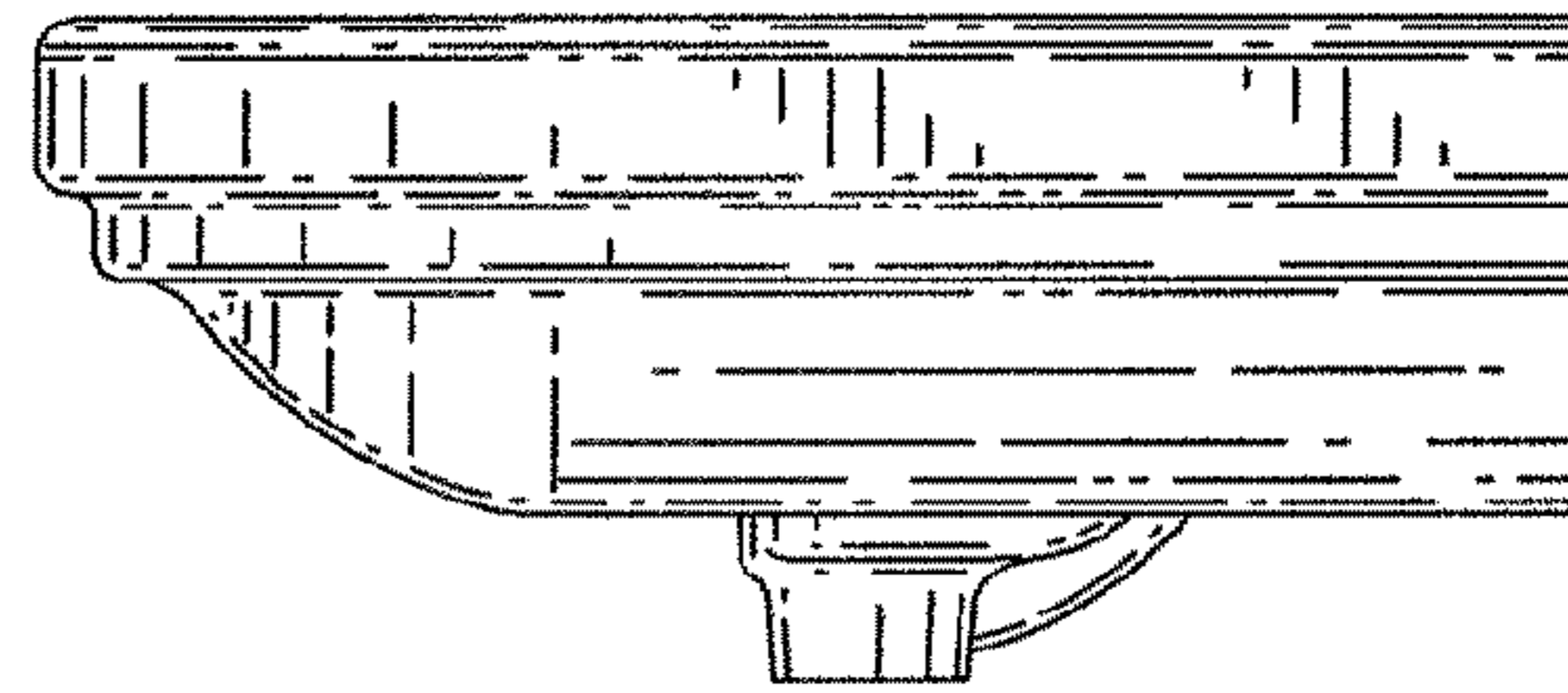


FIG. 5

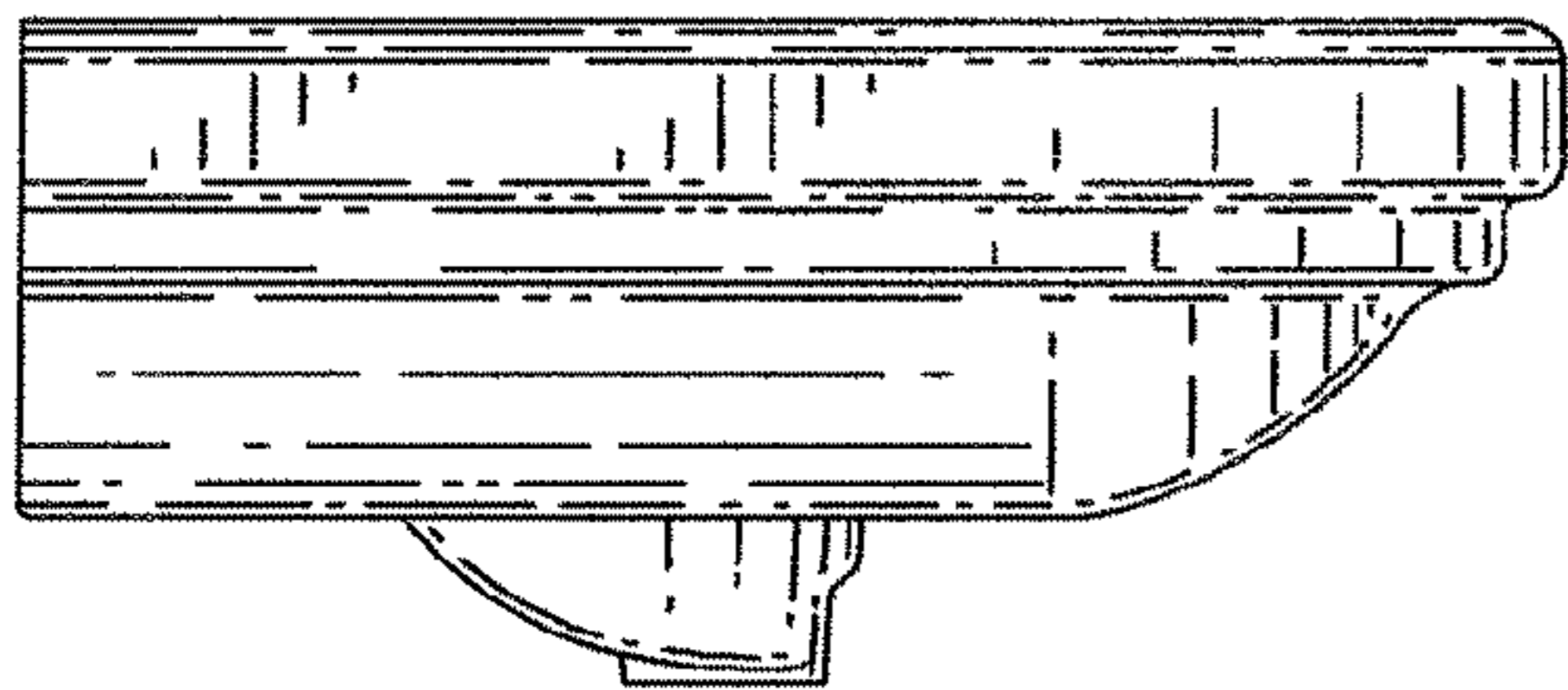


FIG. 6

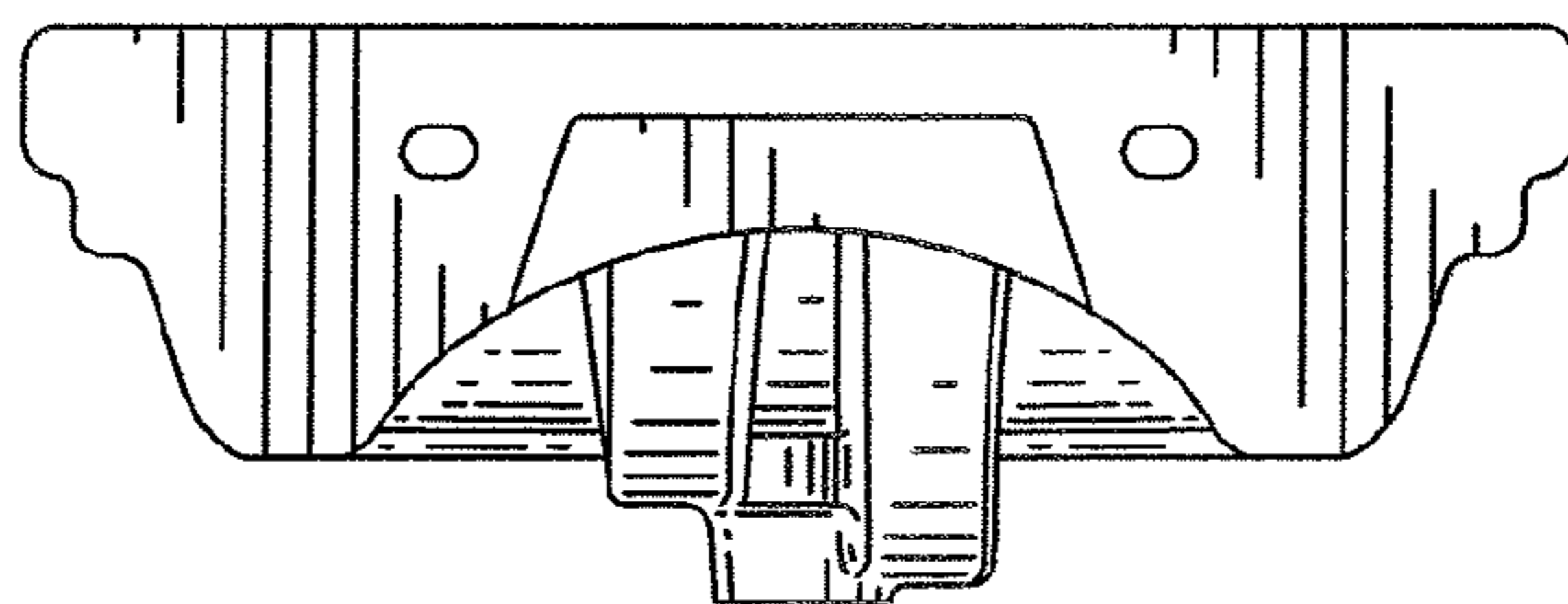


FIG. 7