



US00D634408S

(12) **United States Design Patent**
Thomas

(10) **Patent No.:** **US D634,408 S**

(45) **Date of Patent:** **** Mar. 15, 2011**

(54) **SINK**

(75) Inventor: **Carter J. Thomas**, Branchburg, NJ (US)

(73) Assignee: **AS IP Holdco, L.L.C.**, Piscataway, NJ (US)

(**) Term: **14 Years**

(21) Appl. No.: **29/357,659**

(22) Filed: **Mar. 16, 2010**

(51) **LOC (9) Cl.** **23-02**

(52) **U.S. Cl.** **D23/284**

(58) **Field of Classification Search** D23/284,
D23/292, 308, 293.1; 4/619, 646

See application file for complete search history.

(56) **References Cited**

U.S. PATENT DOCUMENTS

D336,950 S * 6/1993 Dannenberg D23/284

D530,406 S * 10/2006 Soulier D23/288

* cited by examiner

Primary Examiner — Robert A Delehanty

(74) *Attorney, Agent, or Firm* — Flaster/Greenberg, P.C.

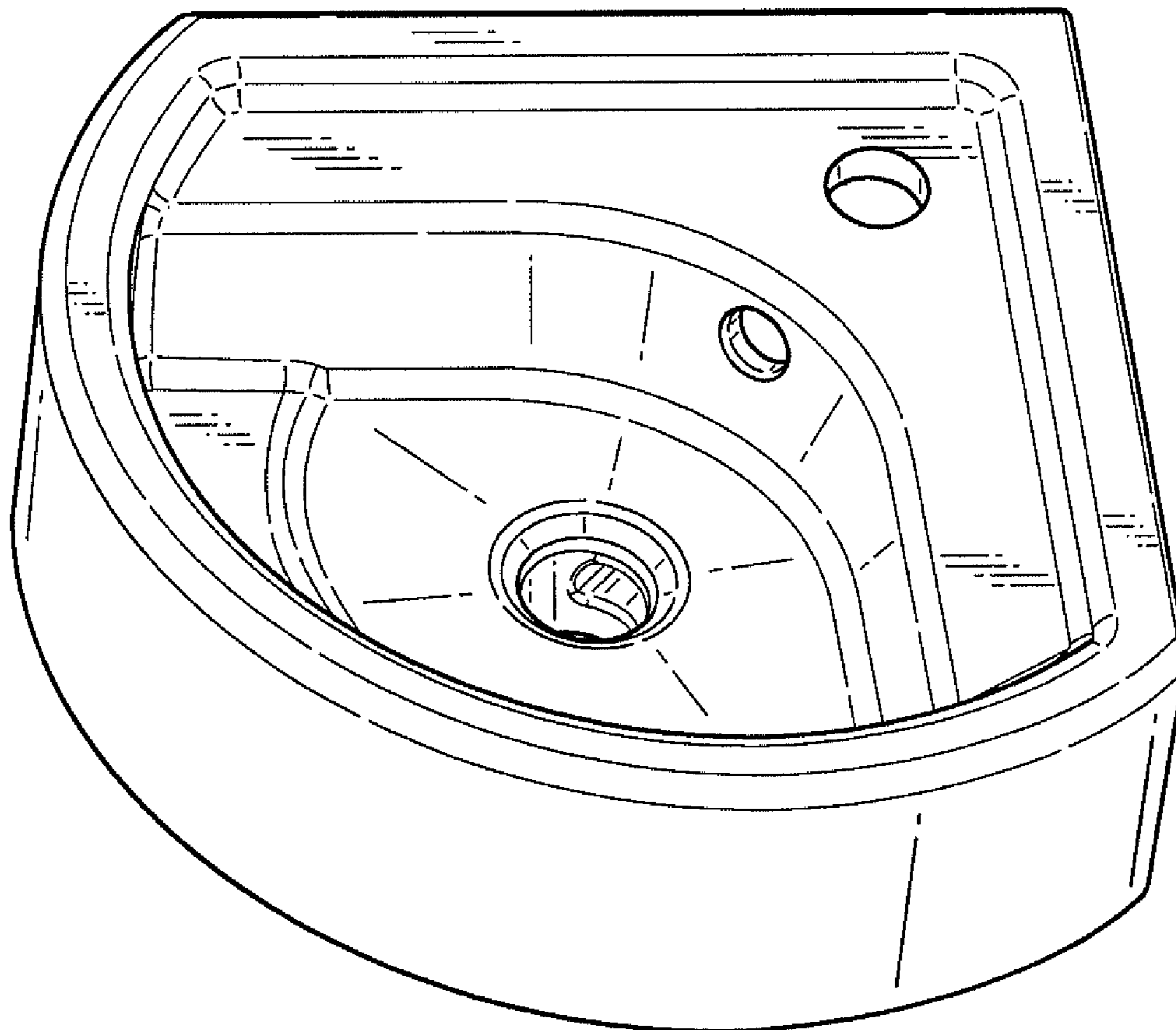
(57) **CLAIM**

The ornamental design for a sink, as shown and described.

DESCRIPTION

FIG. 1 is a perspective view of a sink;
FIG. 2 is a top plan view of the sink of FIG. 1;
FIG. 3 is a bottom plan view of the sink of FIG. 1;
FIG. 4 is a front view of the sink of FIG. 1;
FIG. 5 is a rear view of the sink of FIG. 1;
FIG. 6 is a right side view of the sink of FIG. 1; and,
FIG. 7 is a left side view of the sink of FIG. 1.
The broken lines showing the rear, side and bottom of the sink are included for the purpose of illustrating a portion of the sink that forms no part of the claimed design.

1 Claim, 3 Drawing Sheets



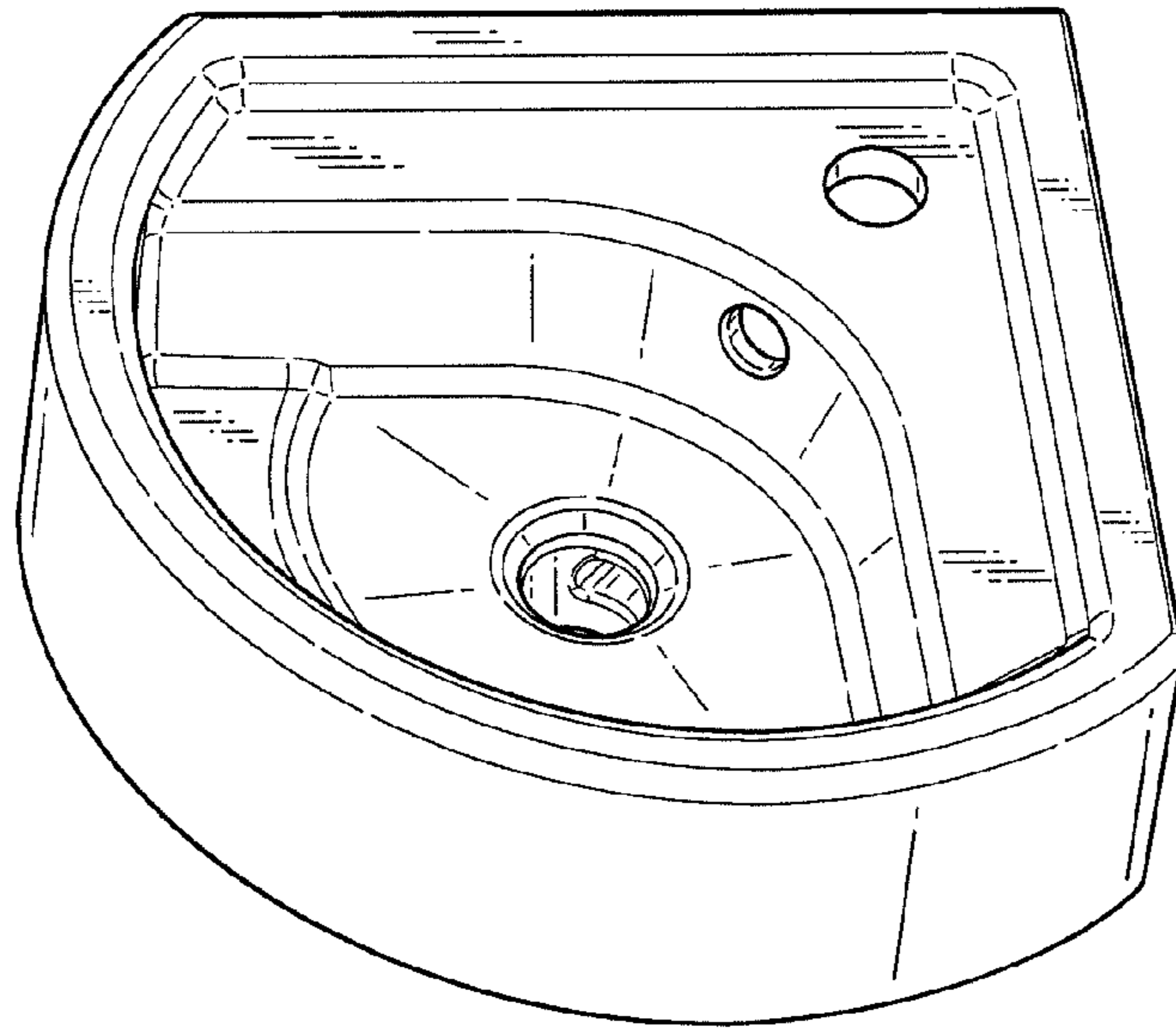


FIG. 1

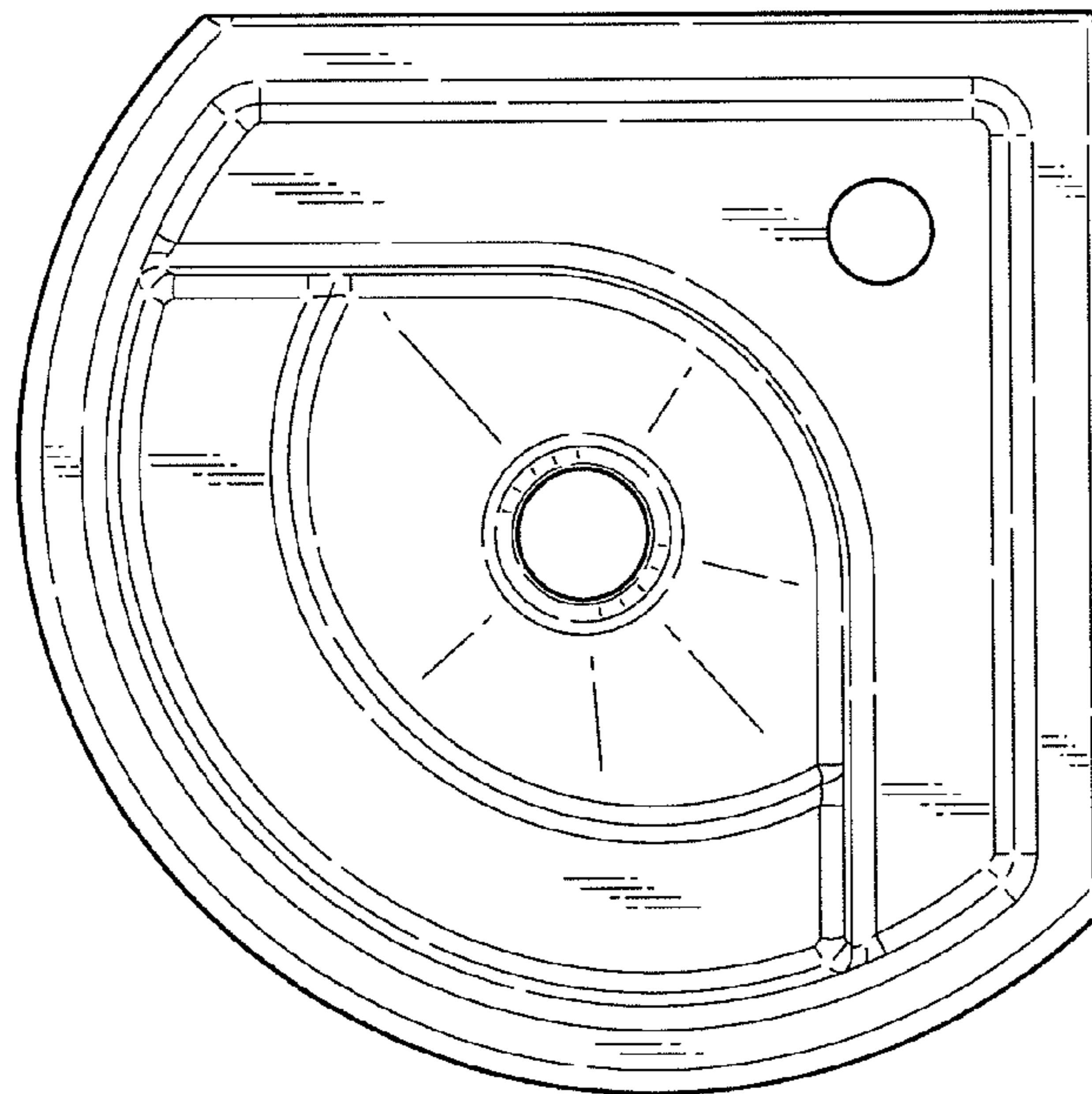


FIG. 2

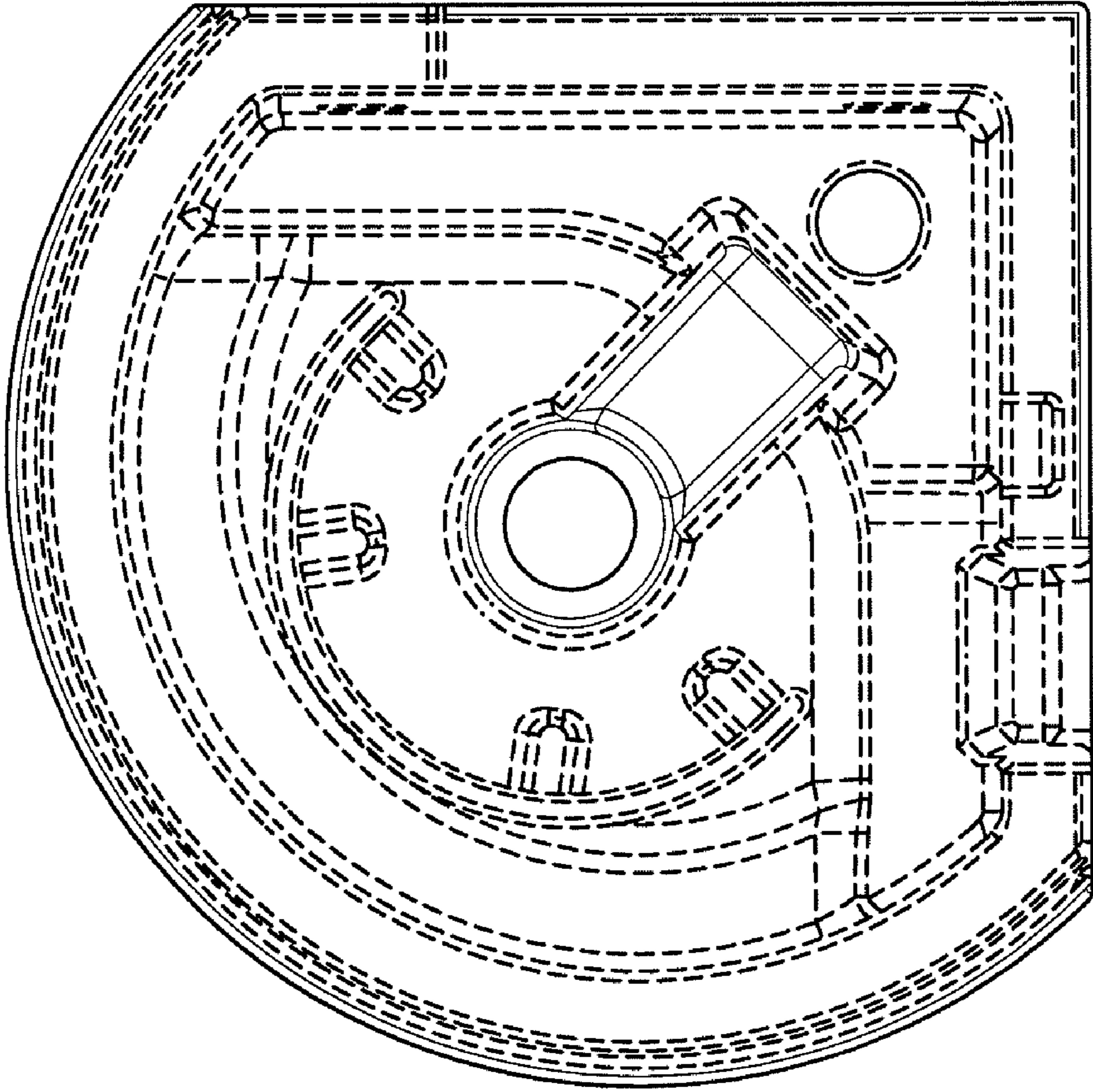


FIG. 3

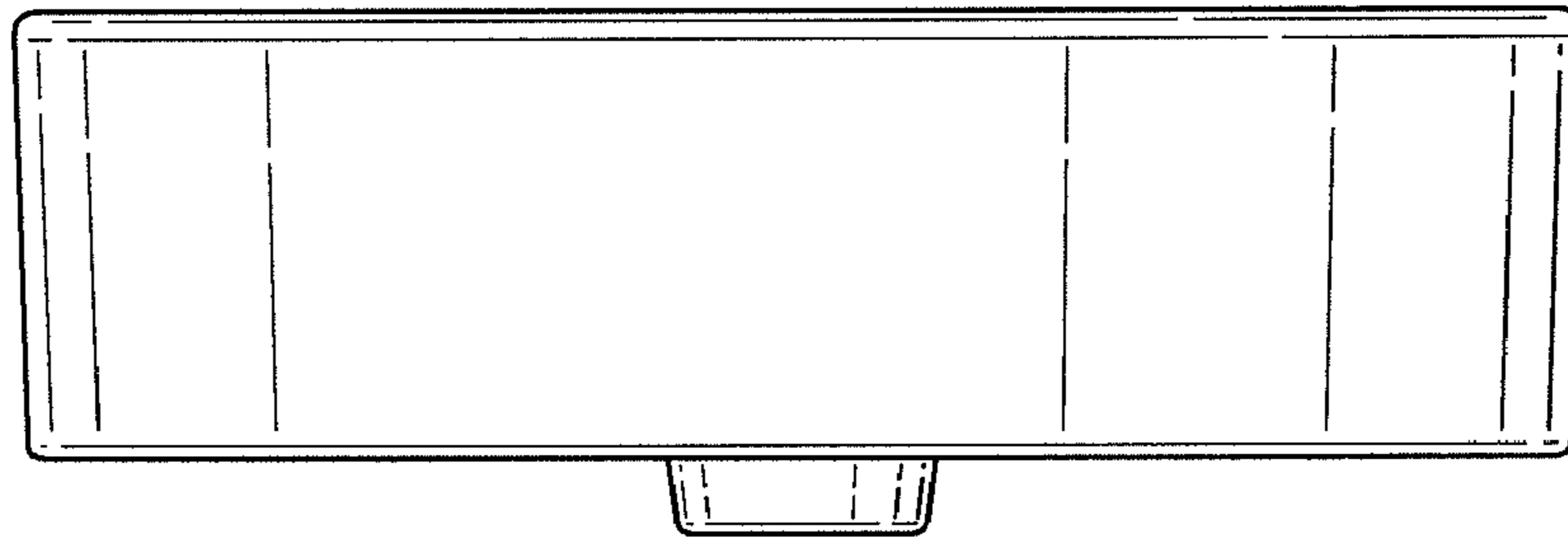


FIG. 4

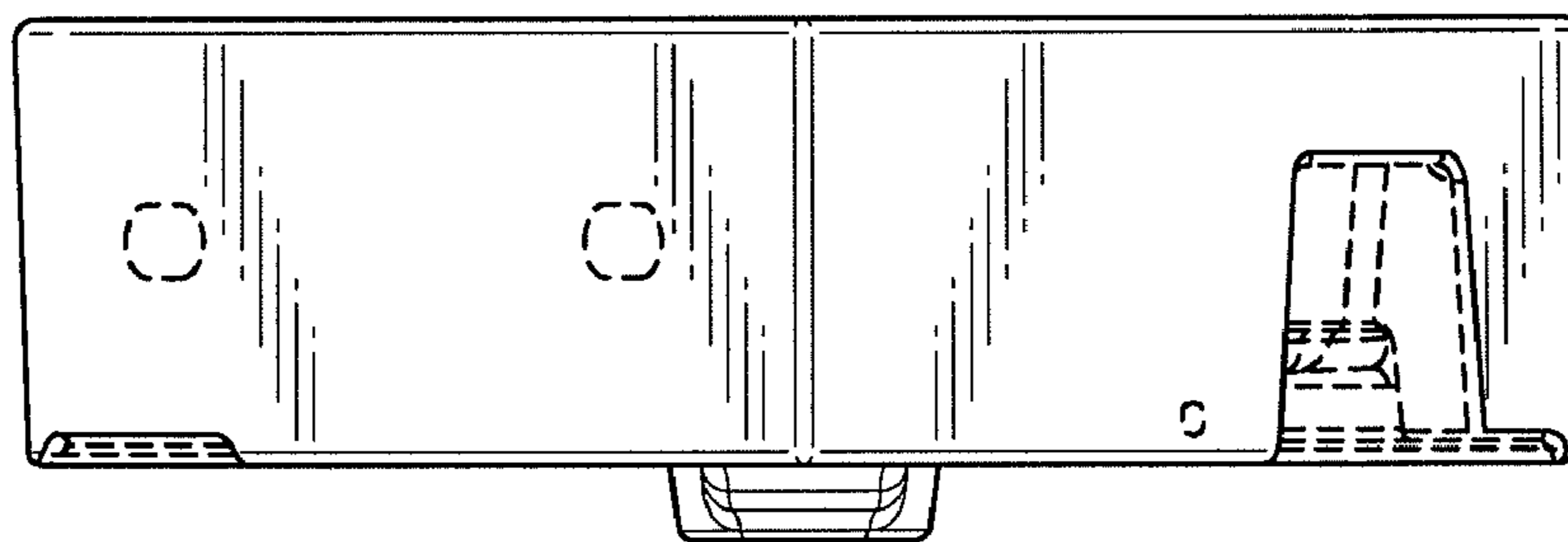


FIG. 5

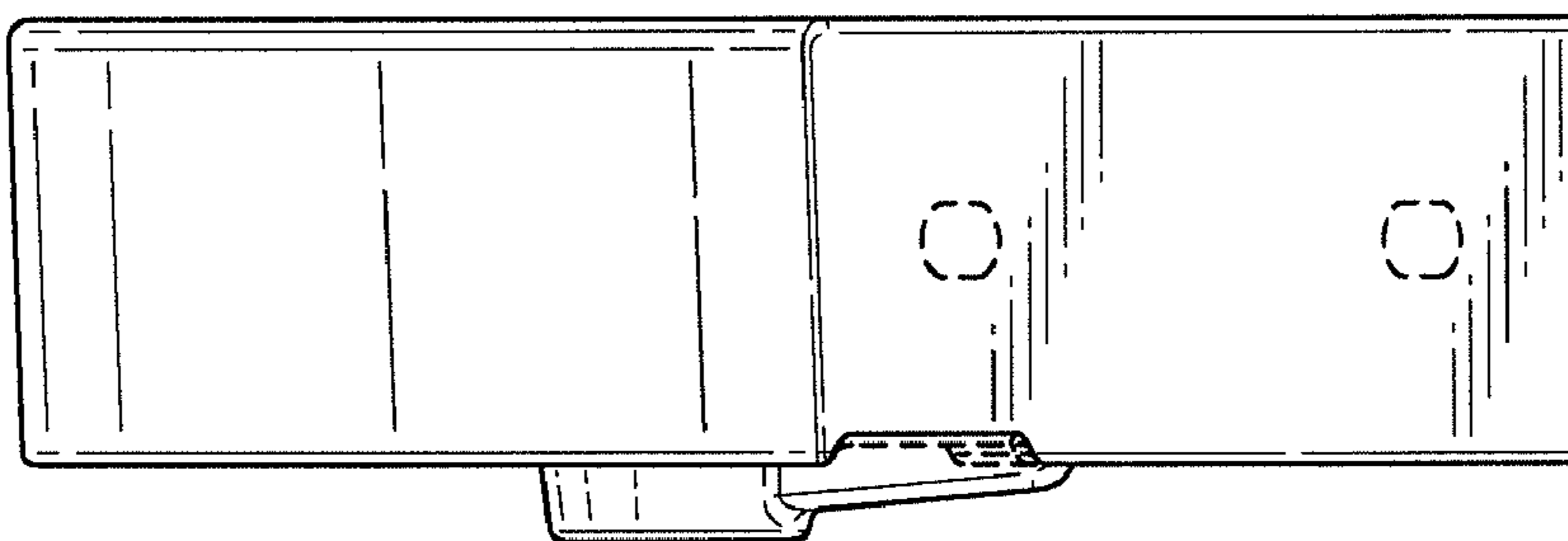


FIG. 6

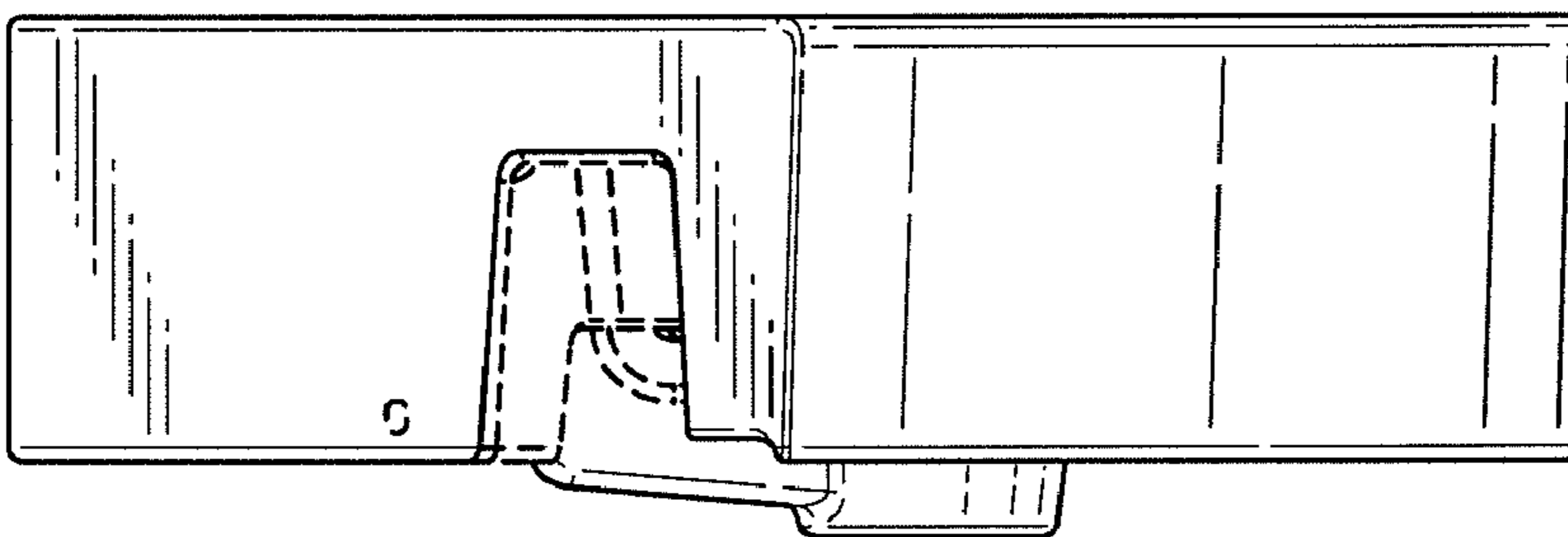


FIG. 7