



US00D634406S

(12) **United States Design Patent**
Klimas

(10) **Patent No.:** **US D634,406 S**

(45) **Date of Patent:** **** Mar. 15, 2011**

(54) **HOSE CUFF**

(75) **Inventor:** **David Andrew Klimas**, Ramona, CA
(US)

(73) **Assignee:** **Zokiac Pool Systems, Inc.**, Moorpark,
CA (US)

(**) **Term:** **14 Years**

(21) **Appl. No.:** **29/348,682**

(22) **Filed:** **Jan. 28, 2010**

(51) **LOC (9) Cl.** **23-01**

(52) **U.S. Cl.** **D23/262**

(58) **Field of Classification Search** D24/107,
D24/110, 110.4, 110.5, 110.6, 127-129, 164;
D23/259-262, 266; 128/200.24, 201.22,
128/202.27, 203.27, 204.18, 205.25, 206.15,
128/206.21; 138/121, 122; 156/143; 285/260;
604/27

See application file for complete search history.

(56) **References Cited**

U.S. PATENT DOCUMENTS

3,794,080	A *	2/1974	Huston et al.	138/121
5,082,028	A	1/1992	Leonard	
5,195,563	A *	3/1993	Brooks	138/103
5,356,183	A *	10/1994	Cole	285/305
D356,858	S *	3/1995	Folkman	D23/266
D365,625	S *	12/1995	Bova	D23/266
5,546,982	A	8/1996	Clark et al.	
5,787,538	A	8/1998	Moore et al.	
5,864,938	A *	2/1999	Gansel et al.	29/506
5,897,083	A	4/1999	Johnson	
6,170,882	B1	1/2001	Prest	
6,450,205	B1 *	9/2002	Check	138/116

D561,303	S *	2/2008	Brockington et al.	D23/262
D564,076	S *	3/2008	Brockington et al.	D23/262
D592,288	S *	5/2009	Price et al.	D23/259
D593,186	S	5/2009	Van der Meijden et al.	
7,677,271	B2 *	3/2010	Boettner et al.	138/119
D628,288	S *	11/2010	Row et al.	D24/129
2009/0025724	A1 *	1/2009	Herron, Jr.	128/204.18
2010/0116272	A1 *	5/2010	Row et al.	128/204.17
2010/0170589	A1 *	7/2010	Boettner et al.	138/119

FOREIGN PATENT DOCUMENTS

WO WO-2006026553 3/2006

* cited by examiner

Primary Examiner — T. Chase Nelson

Assistant Examiner — Eric L Goodman

(74) *Attorney, Agent, or Firm* — Dean W. Russell; Michael
A. Bertelson; Kilpatrick Townsend & Stockton LLP

(57) **CLAIM**

The ornamental design for a hose cuff, as shown and described.

DESCRIPTION

FIG. 1 is a perspective view of a hose cuff applied to a hose, showing my new design.

FIG. 2 is another perspective view of the hose cuff of FIG. 1.

FIG. 3 is another perspective view of the hose cuff of FIG. 1.

FIG. 4 is another perspective view of the hose cuff of FIG. 1.

FIG. 5 is another perspective view of the hose cuff of FIG. 1.

FIG. 6 is a side elevation view of the hose cuff of FIG. 1.

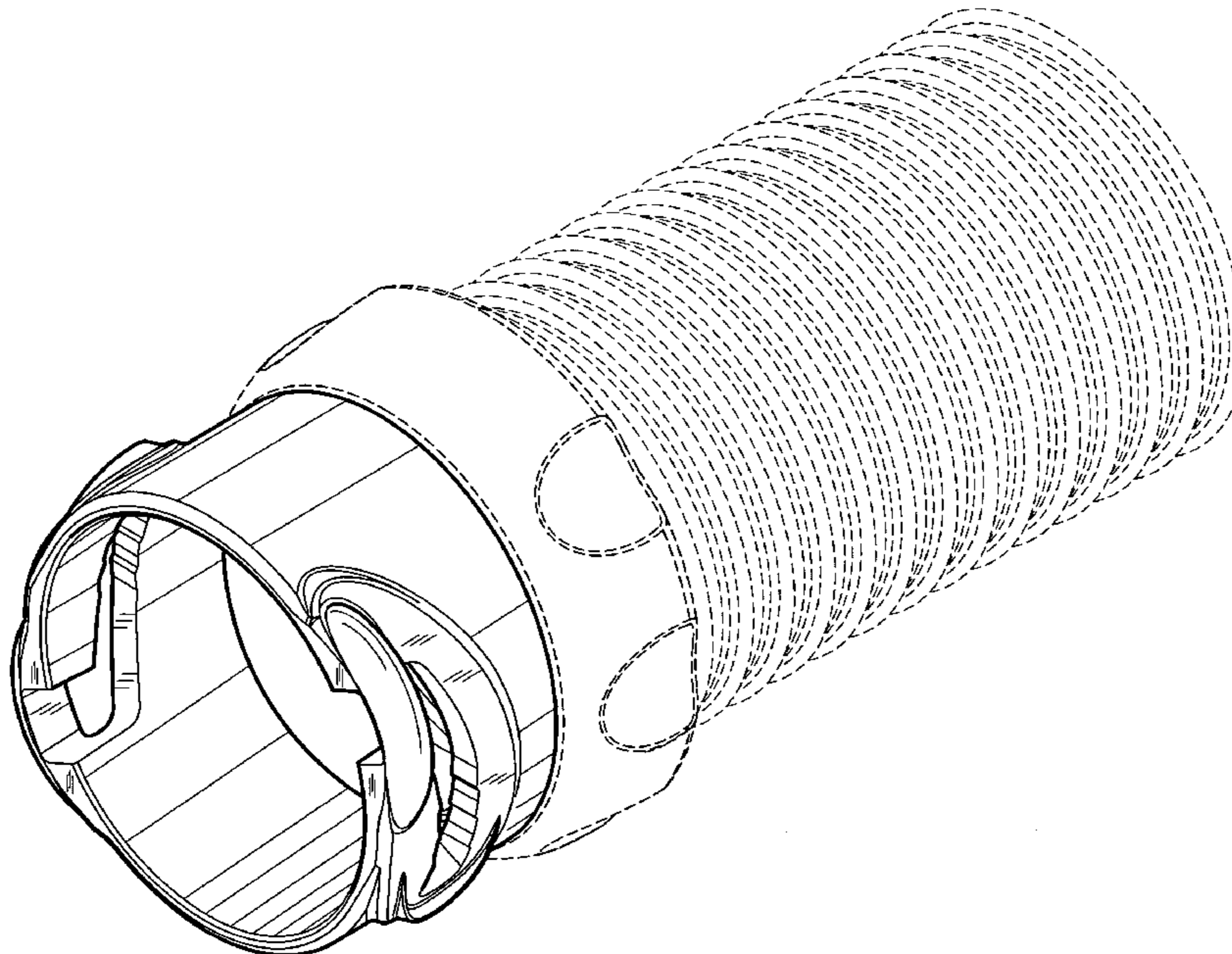
FIG. 7 is a side elevation view of the hose cuff of FIG. 1.

FIG. 8 is a side elevation view of the hose cuff of FIG. 1; and,

FIG. 9 is a side elevation view of the hose cuff of FIG. 1.

In the drawings, the broken lines form no part of the claimed design.

1 Claim, 6 Drawing Sheets



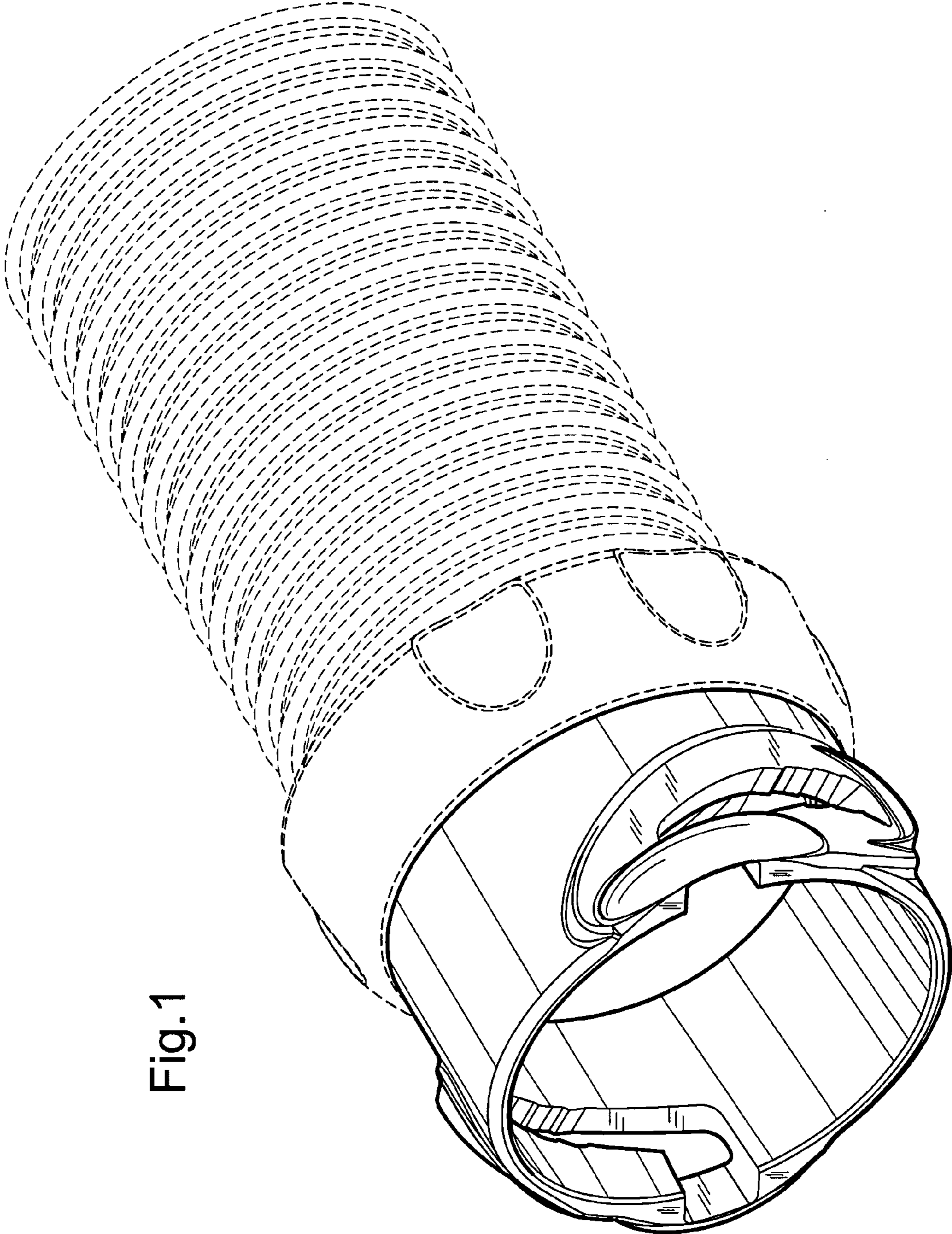


Fig. 1

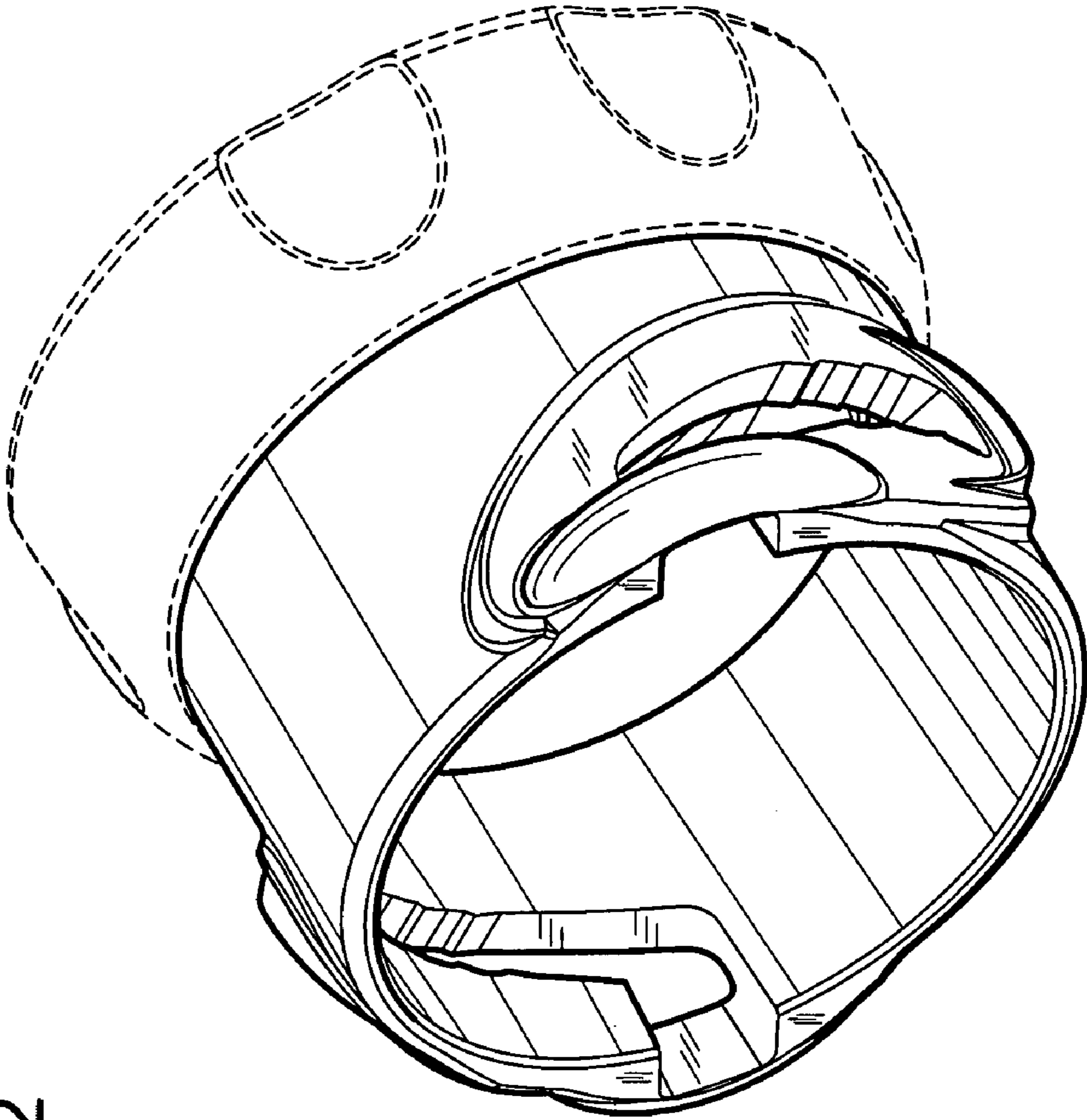


Fig. 2

Fig. 3

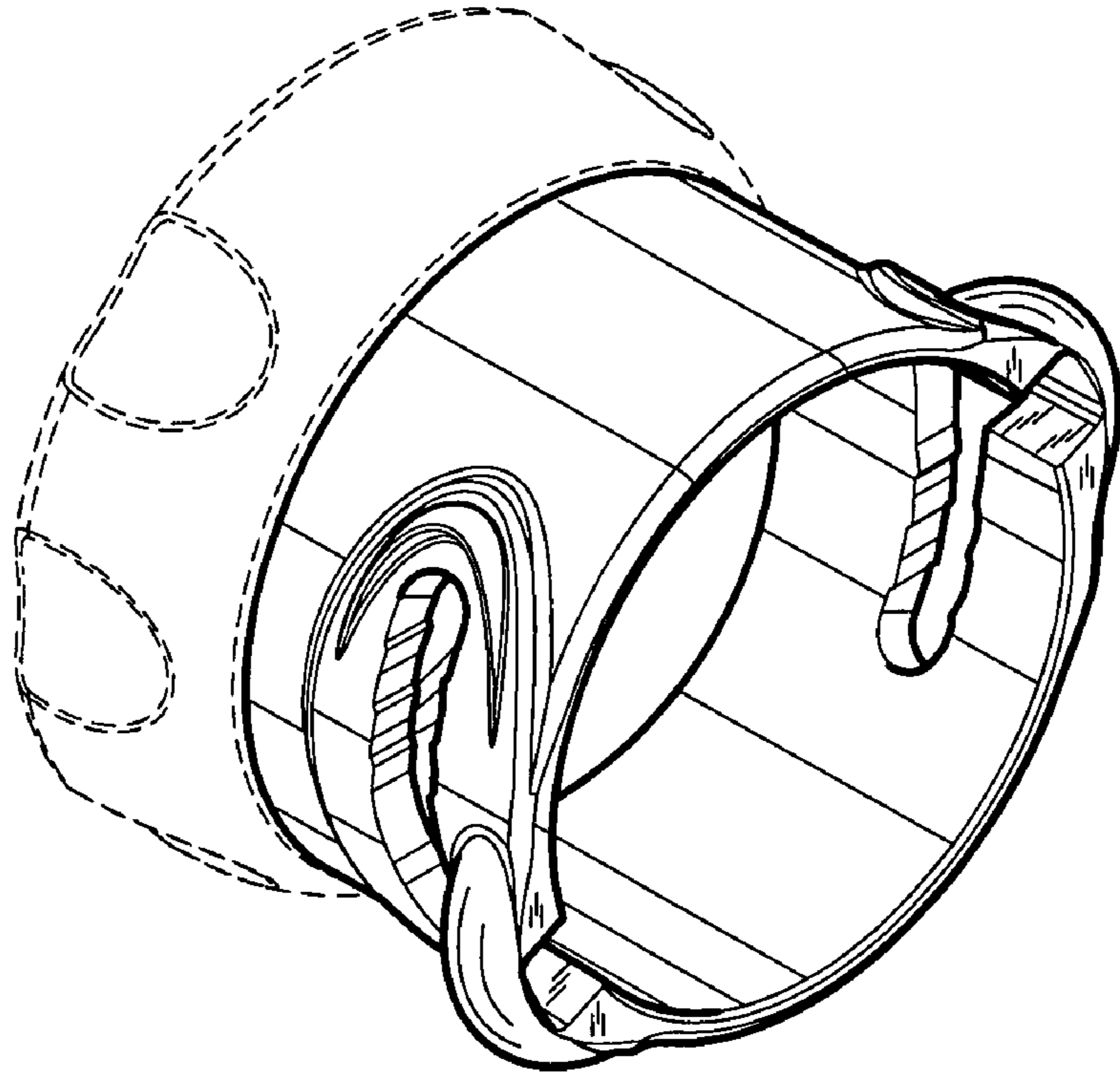
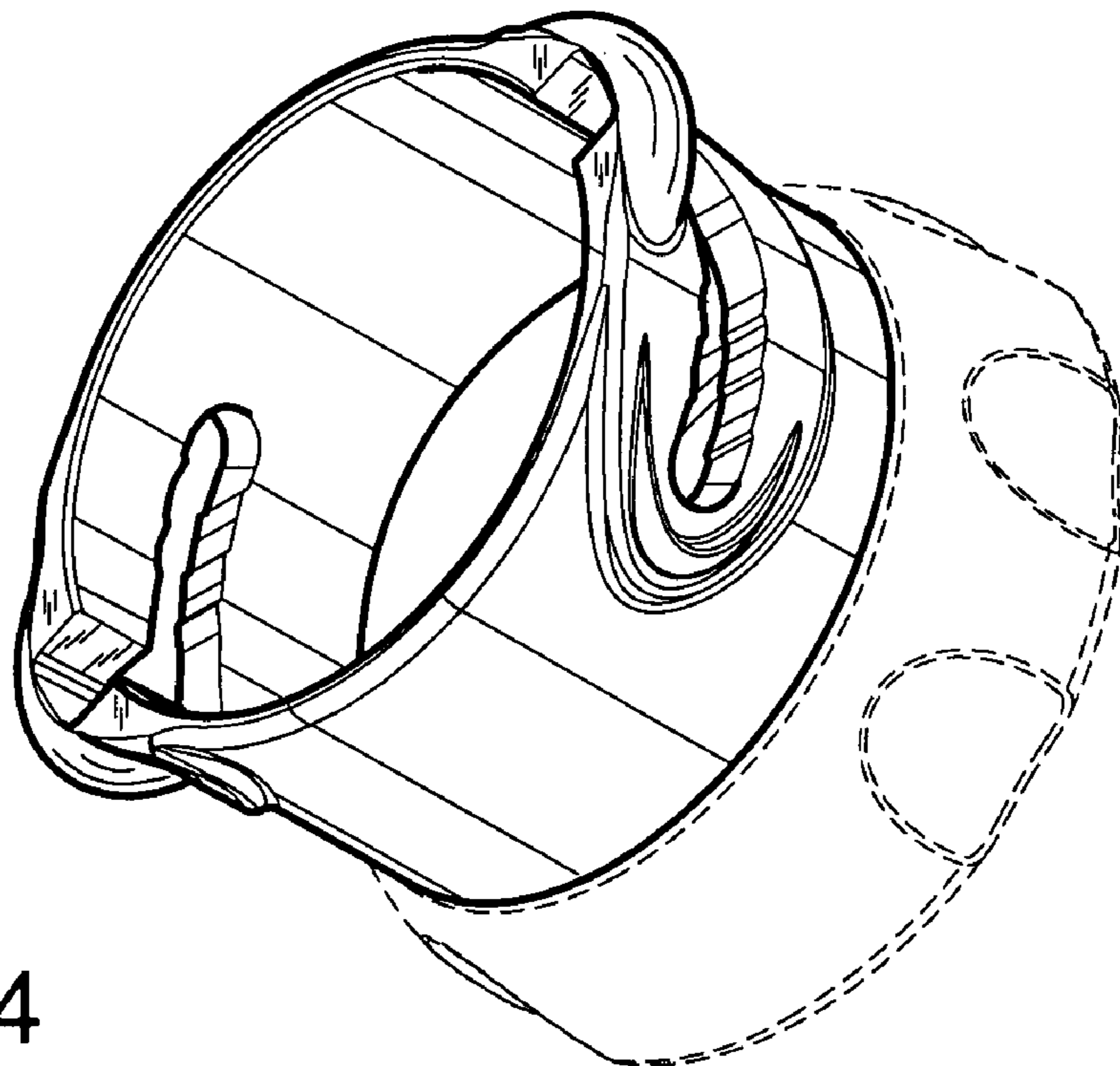


Fig. 4



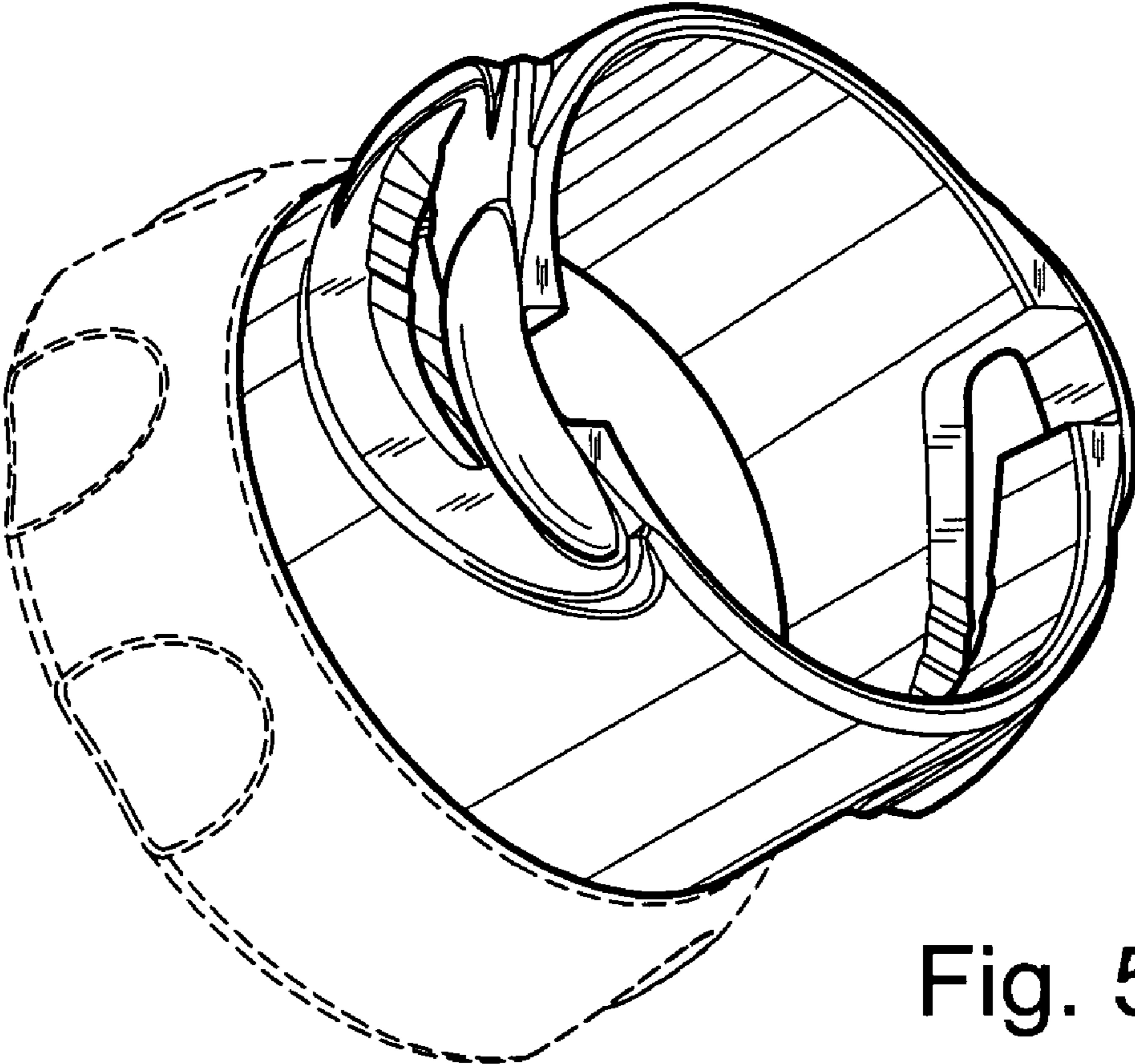


Fig. 5

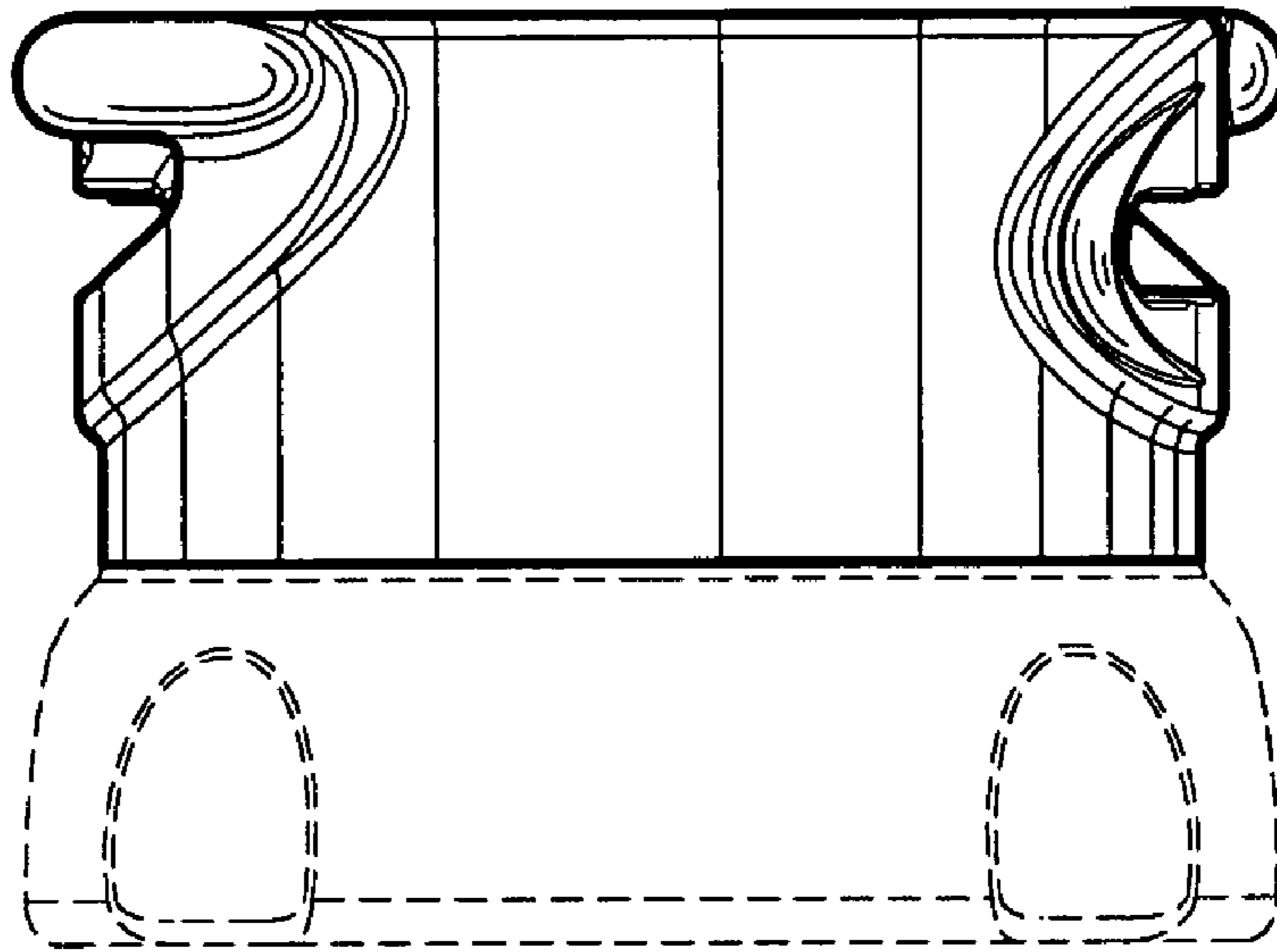


Fig. 6

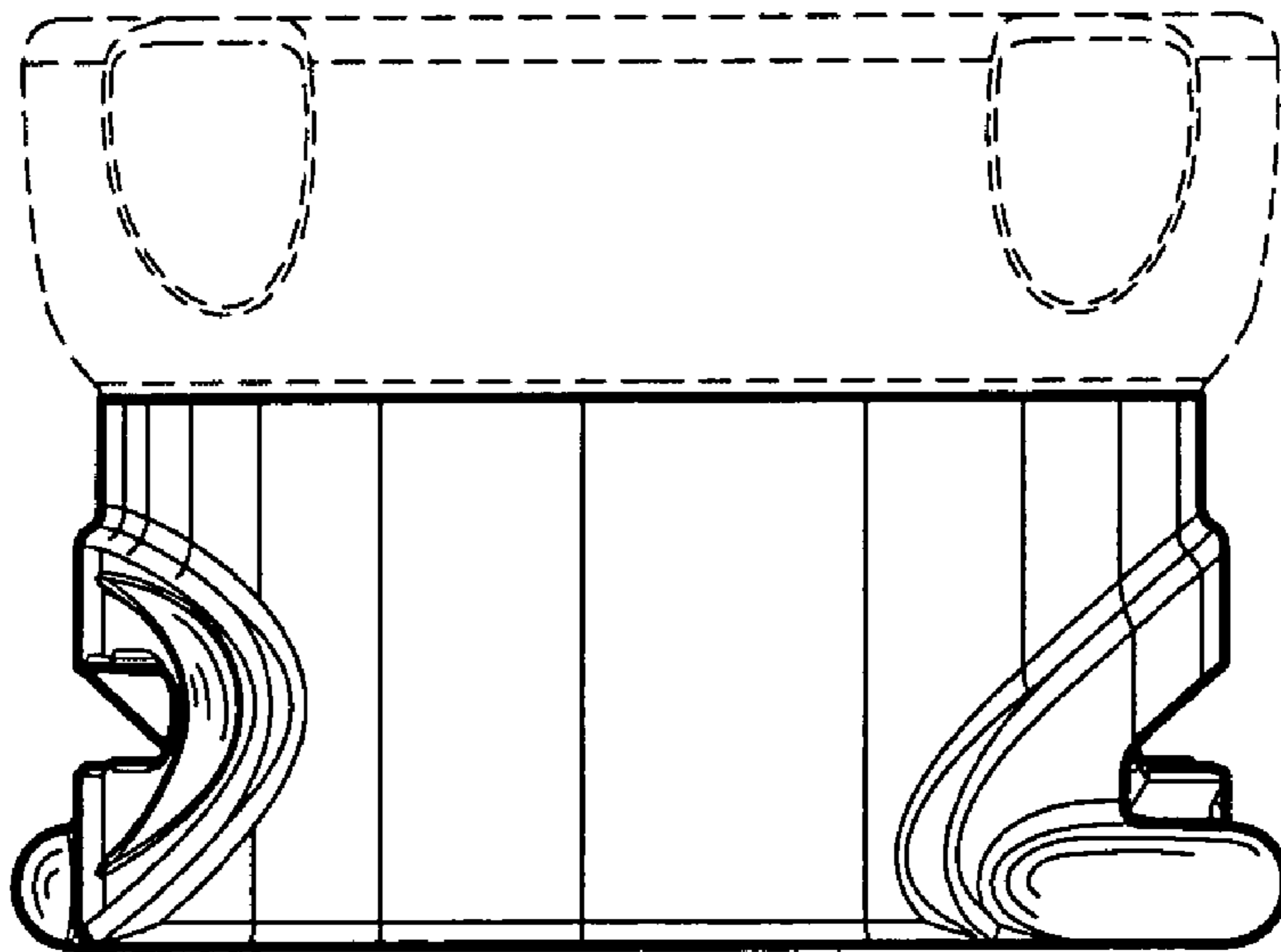


Fig. 7

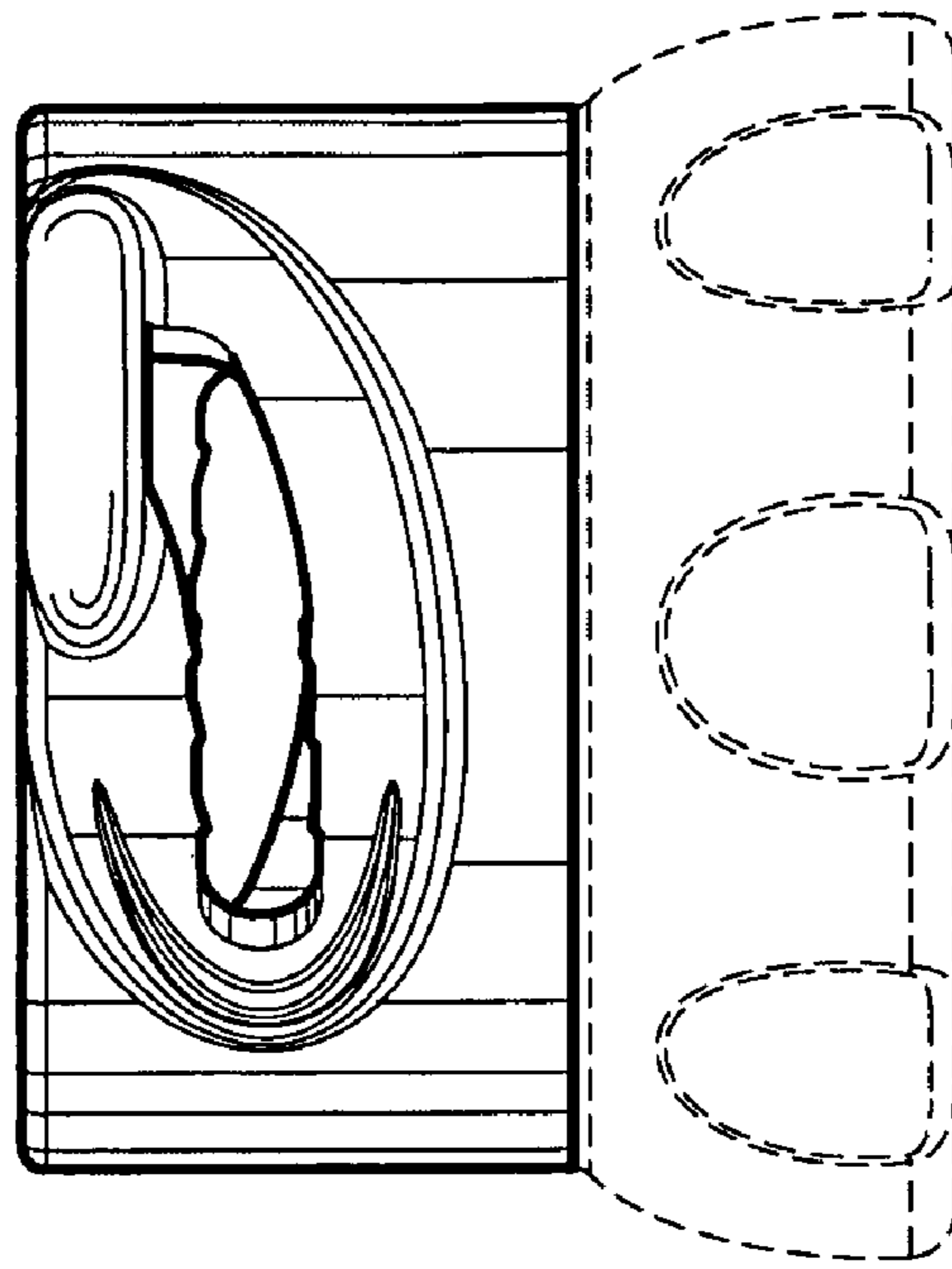


Fig. 8

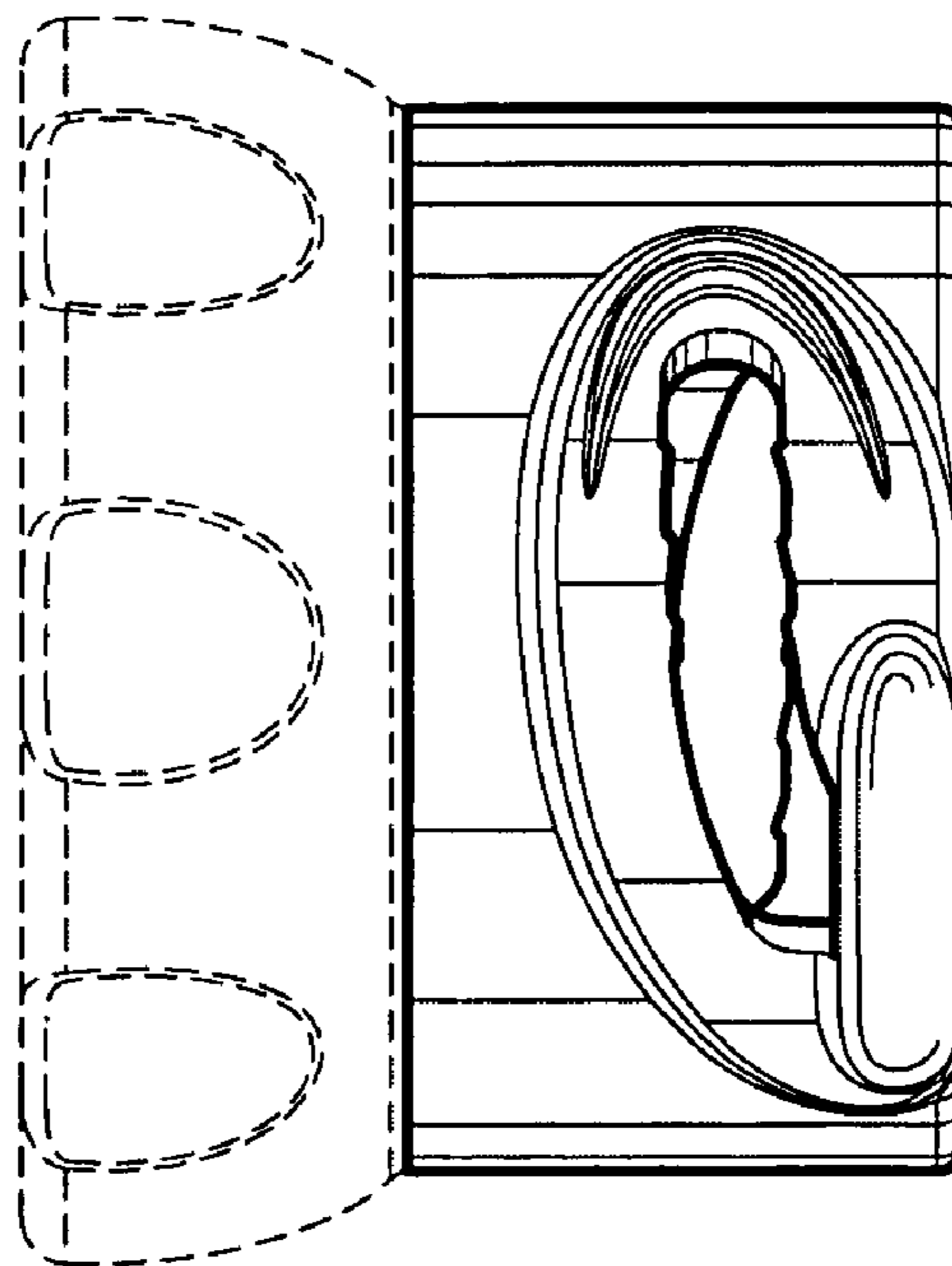


Fig. 9

UNITED STATES PATENT AND TRADEMARK OFFICE
CERTIFICATE OF CORRECTION

PATENT NO. : D634,406 S
APPLICATION NO. : 29/348682
DATED : March 15, 2011
INVENTOR(S) : David A. Klimas

Page 1 of 1

It is certified that error appears in the above-identified patent and that said Letters Patent is hereby corrected as shown below:

Title page, (73) Assignee

Delete "Zokiak" and insert --Zodiac-- in place thereof

Signed and Sealed this
Fourteenth Day of June, 2011

A handwritten signature in black ink that reads "David J. Kappos". The signature is written in a cursive, slightly slanted style.

David J. Kappos
Director of the United States Patent and Trademark Office