



US00D634405S

(12) **United States Design Patent**
Shieh

(10) **Patent No.:** **US D634,405 S**

(45) **Date of Patent:** **** Mar. 15, 2011**

(54) **FAUCET SET**

(75) Inventor: **Ming-Dang Shieh**, Chang Hua Hsien (TW)

(73) Assignee: **Horng Lai Industrial Co., Ltd.**, Chang Hua Hsien (TW)

(**) Term: **14 Years**

(21) Appl. No.: **29/361,939**

(22) Filed: **May 18, 2010**

(51) **LOC (9) Cl.** **23-01**

(52) **U.S. Cl.** **D23/242**

(58) **Field of Classification Search** D23/238,
D23/242-243, 250, 252-254, 255, 257; 4/675-678;
137/801

See application file for complete search history.

(56) **References Cited**

U.S. PATENT DOCUMENTS

D280,232 S *	8/1985	Paul	D23/242
D602,570 S *	10/2009	Lammel et al.	D23/242
D603,481 S *	11/2009	Zetsche et al.	D23/242
D605,257 S *	12/2009	Flowers et al.	D23/238
D607,542 S *	1/2010	Flowers et al.	D23/252

* cited by examiner

Primary Examiner — Robert A Delehanty

(74) *Attorney, Agent, or Firm* — Alan Kamrath; Kamrath & Associates PA

(57) **CLAIM**

The ornamental design for a faucet set, as shown and described.

DESCRIPTION

FIG. 1 is a perspective view of a faucet set showing my design;

FIG. 2 is a front elevational view thereof;

FIG. 3 is a rear elevational view thereof;

FIG. 4 is a left side elevational view thereof;

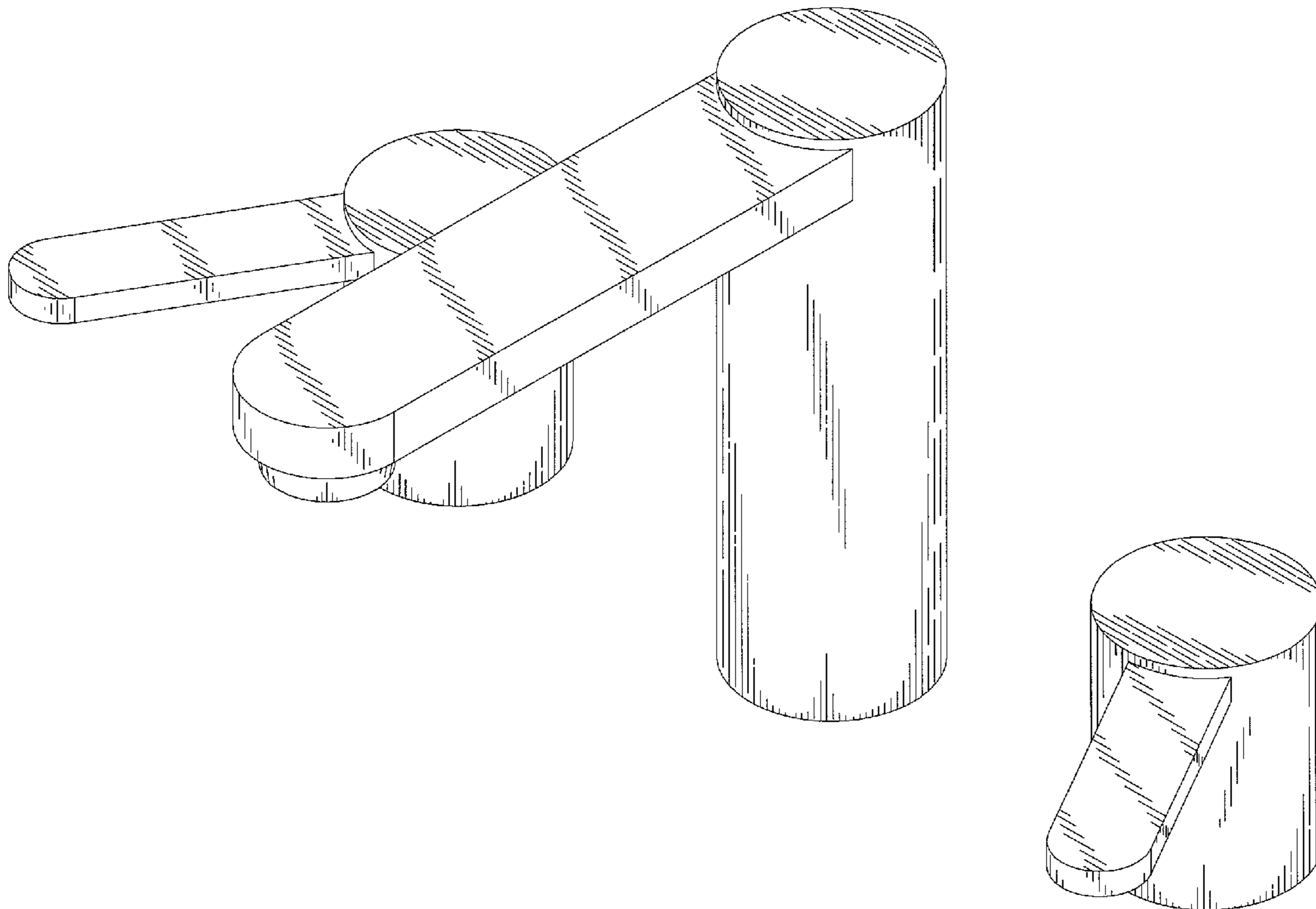
FIG. 5 is a right side elevational view thereof;

FIG. 6 is a top plan view thereof;

FIG. 7 is a perspective view of a second embodiment thereof, with the broken-line disclosure of faucet set base being for illustrative purposes only and forming no part of the claimed design; and,

FIG. 8 is a perspective view of a third embodiment thereof, with the broken-line disclosure of faucet set base being for illustrative purposes only and forming no part of the claimed design.

1 Claim, 8 Drawing Sheets



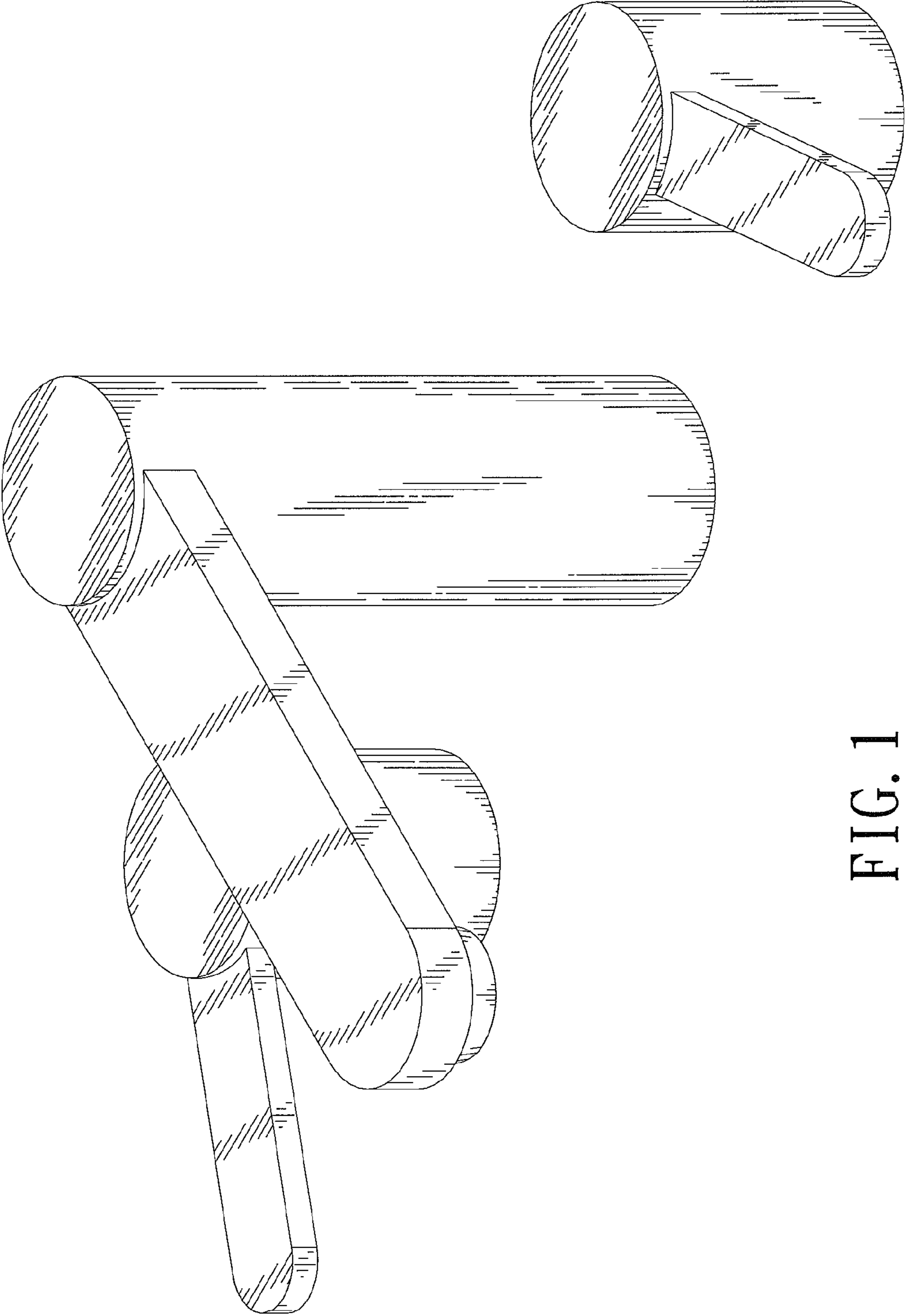


FIG. 1

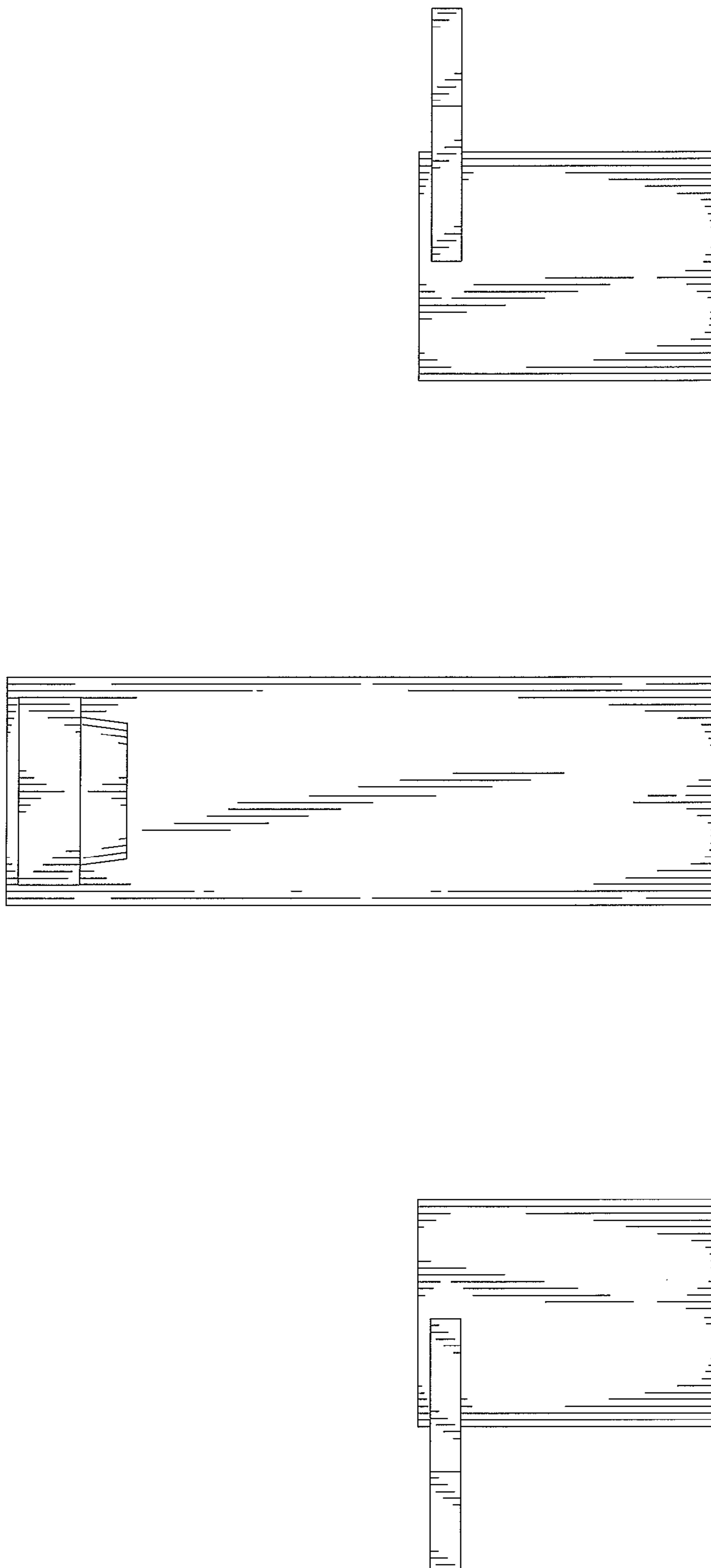


FIG. 2

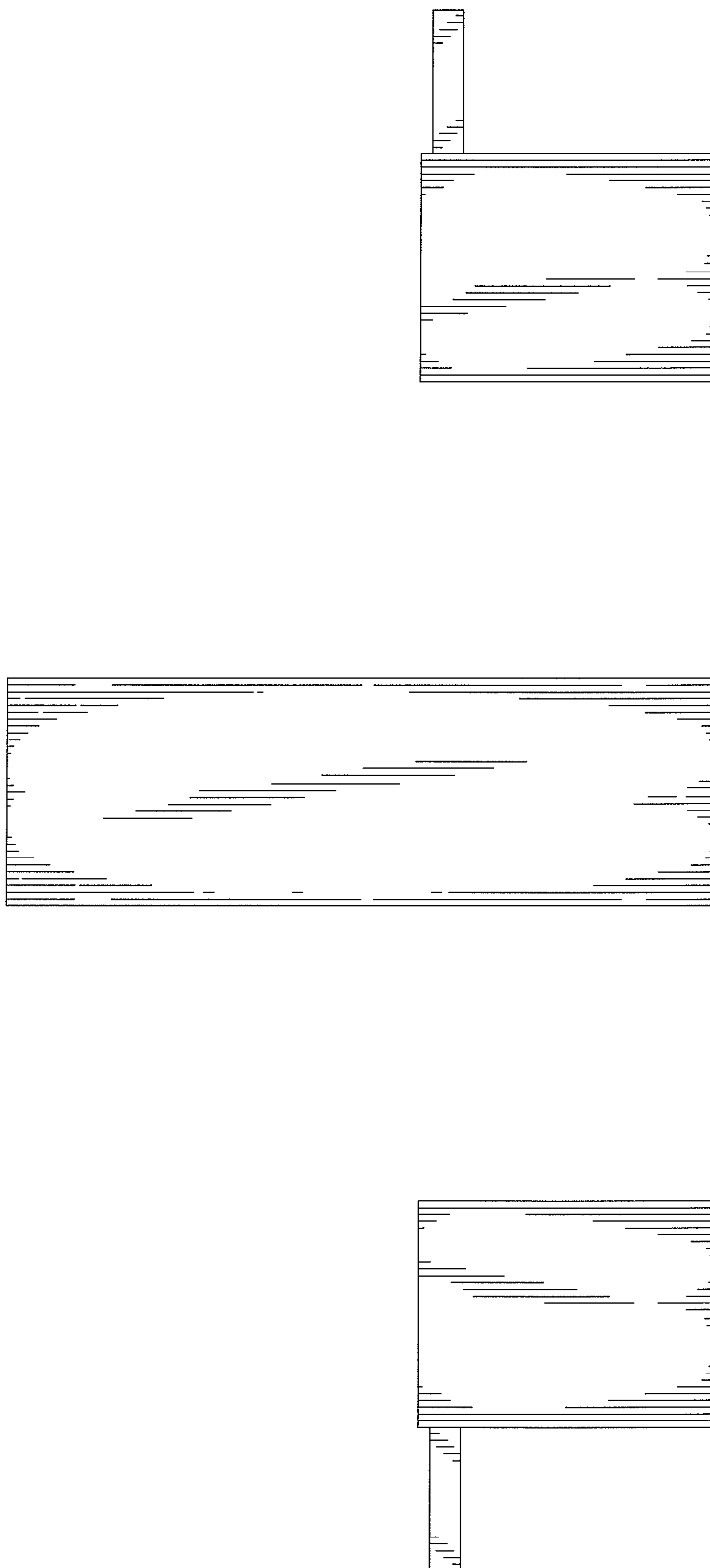


FIG. 3

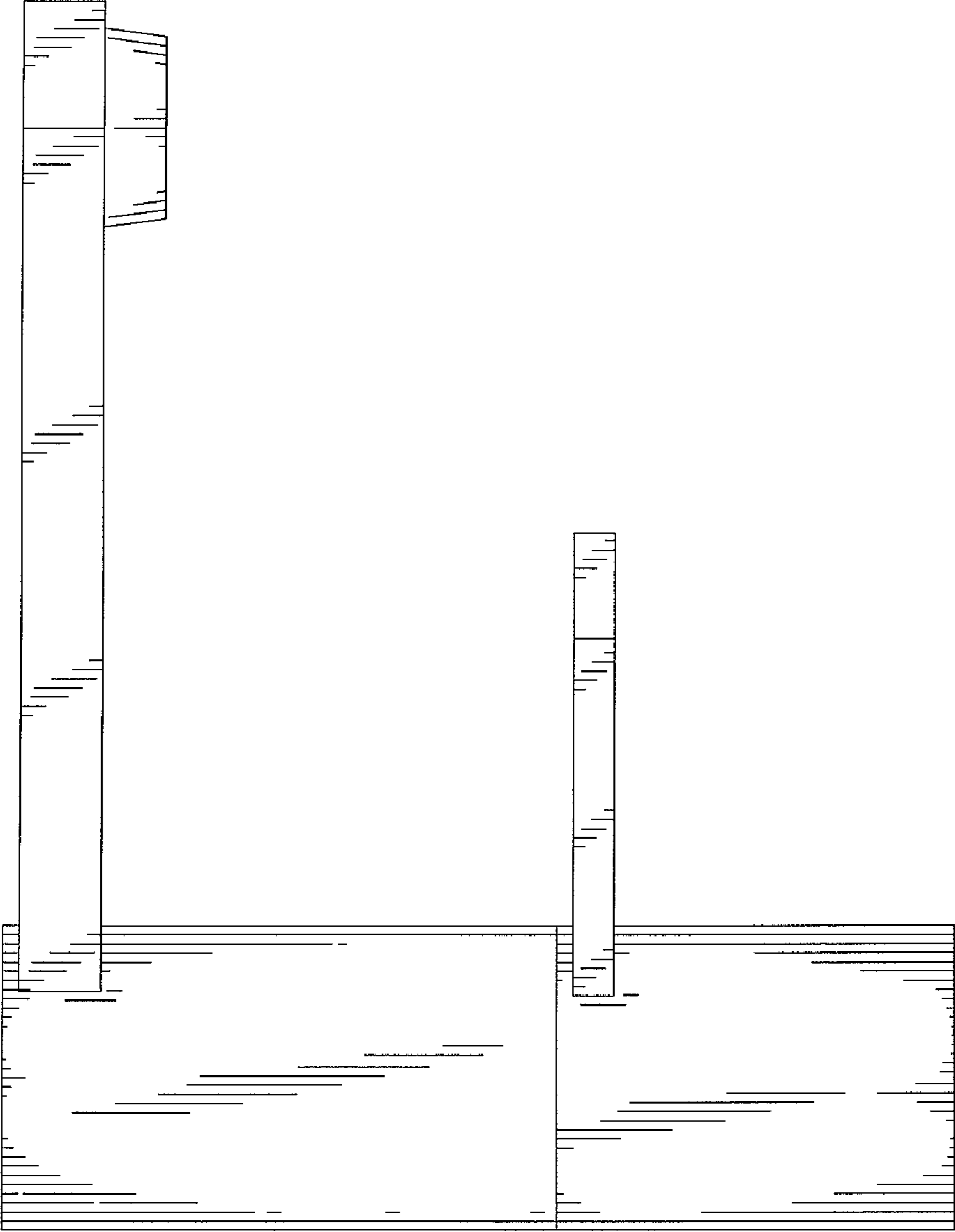


FIG. 4

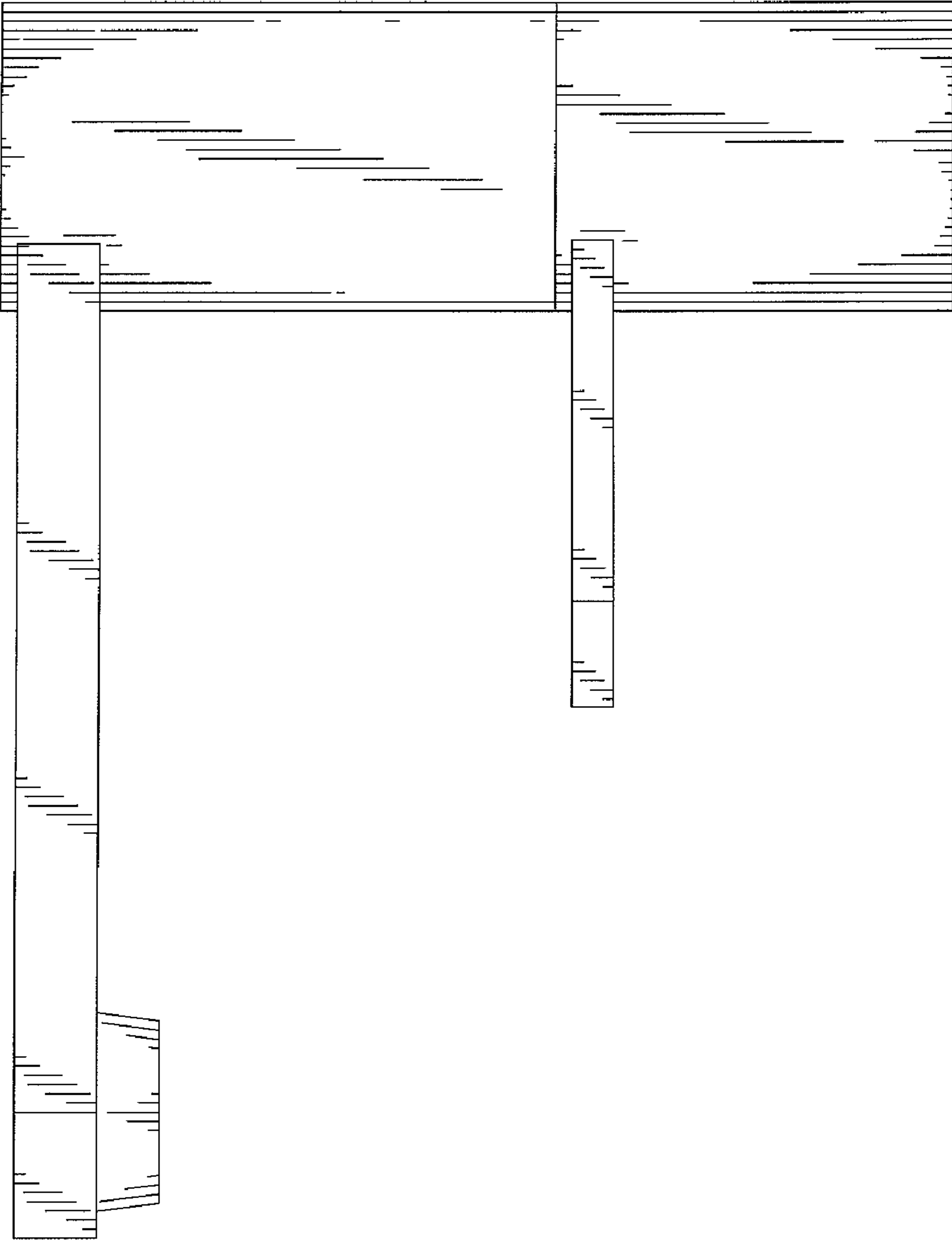


FIG. 5

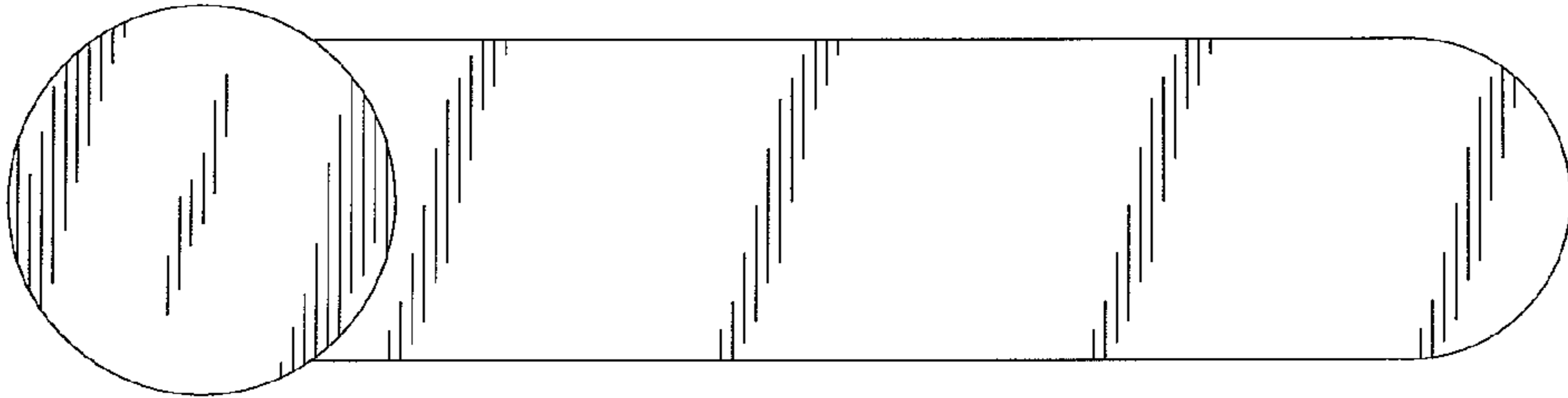
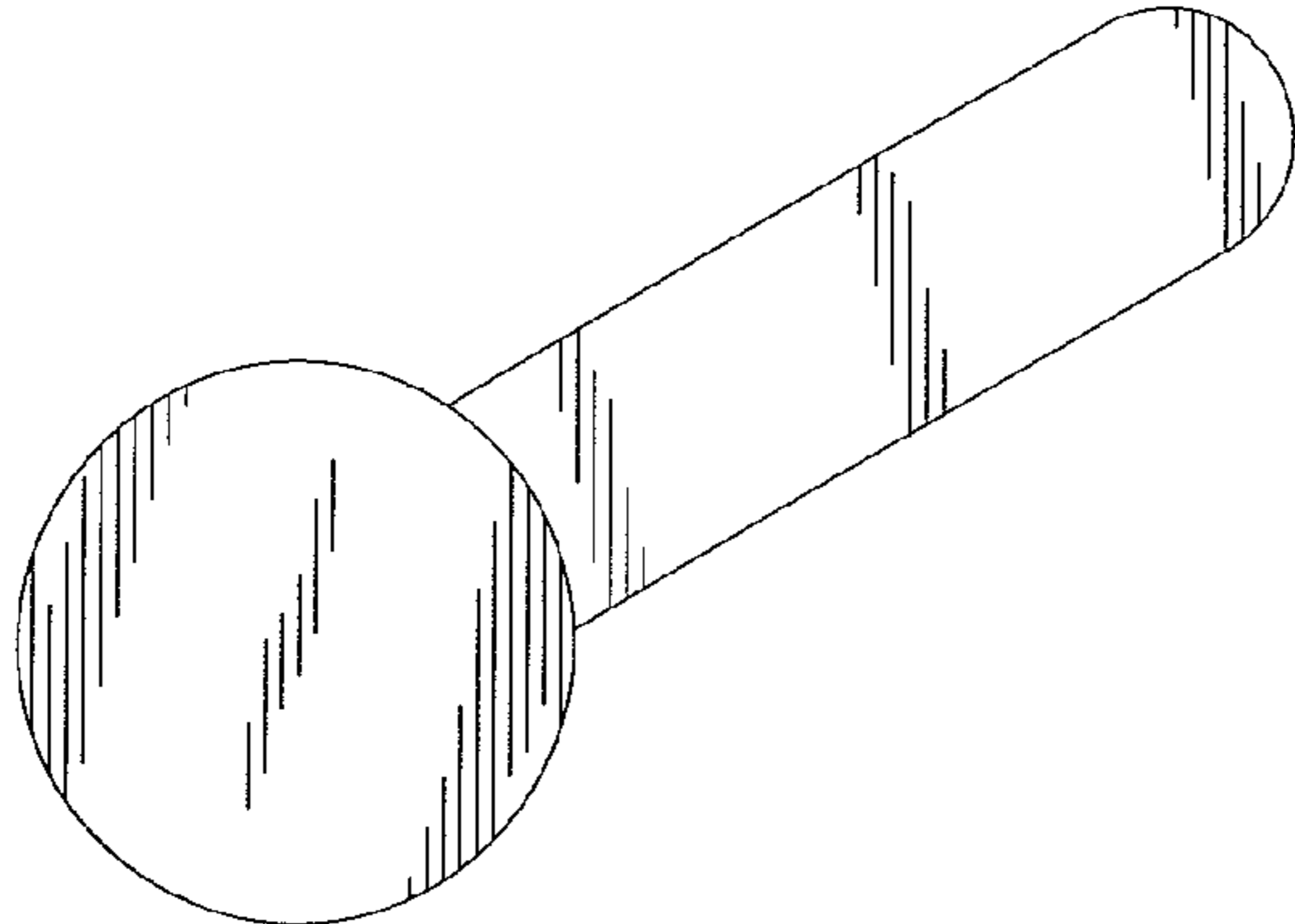
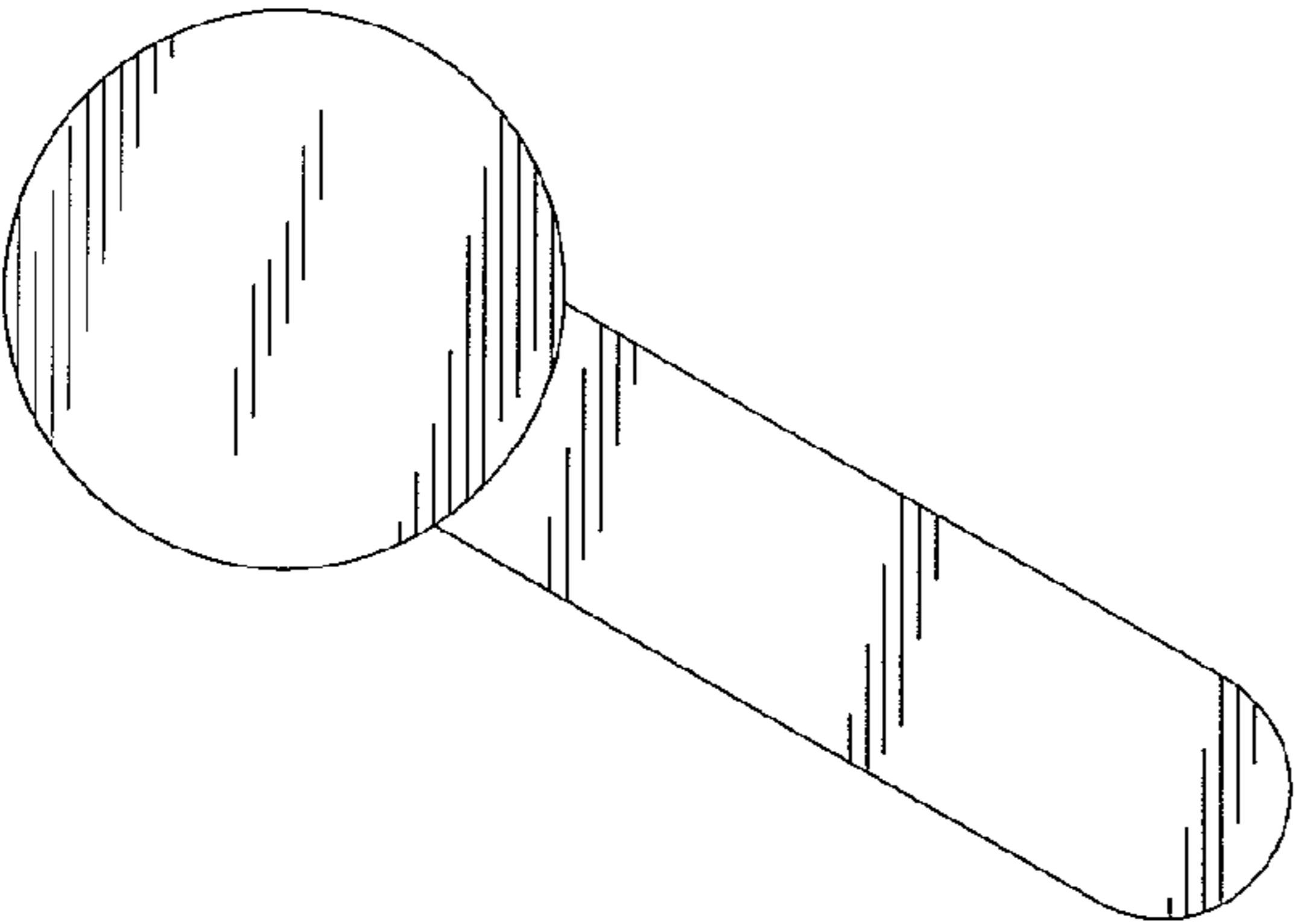


FIG. 6



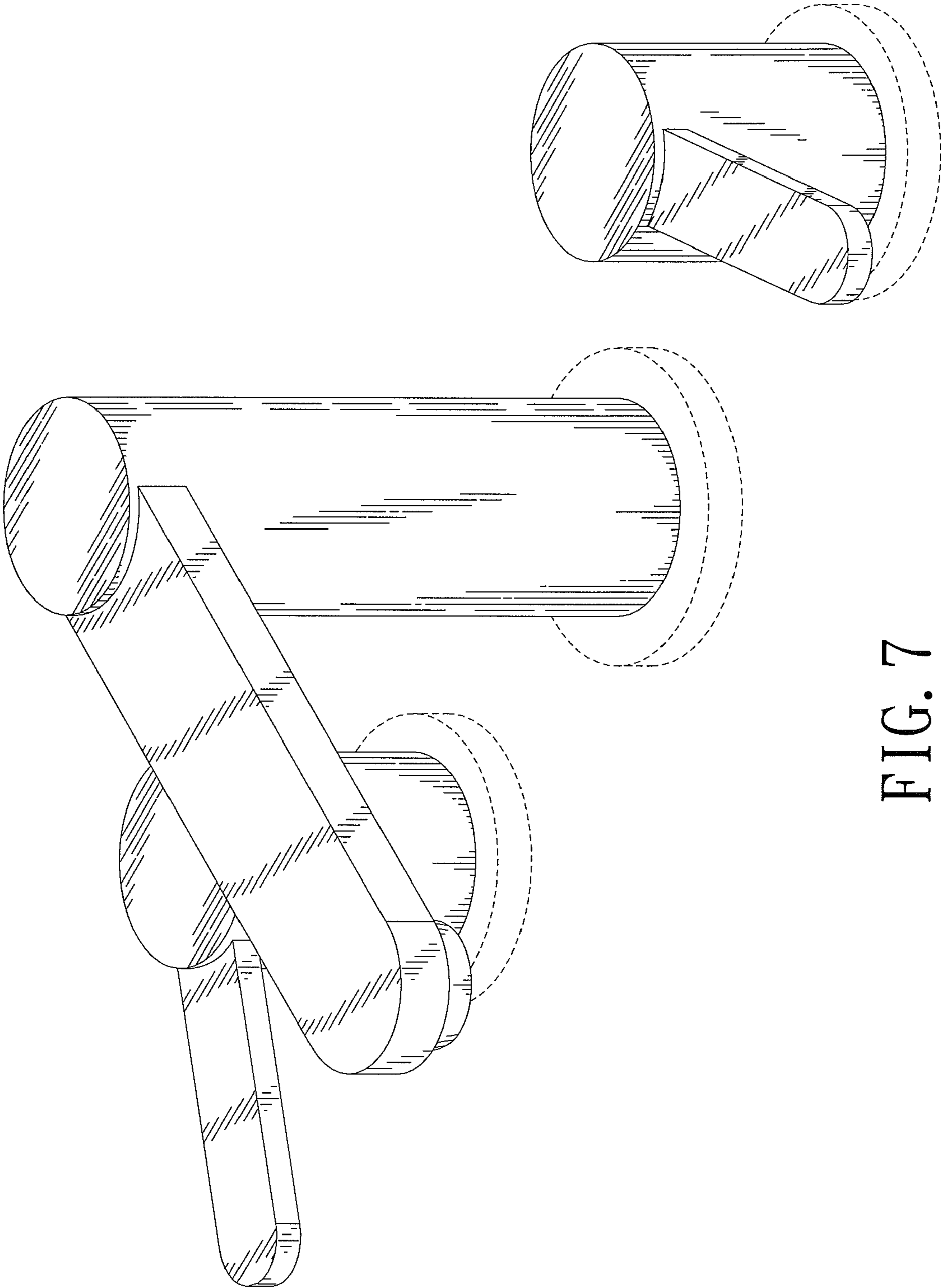


FIG. 7

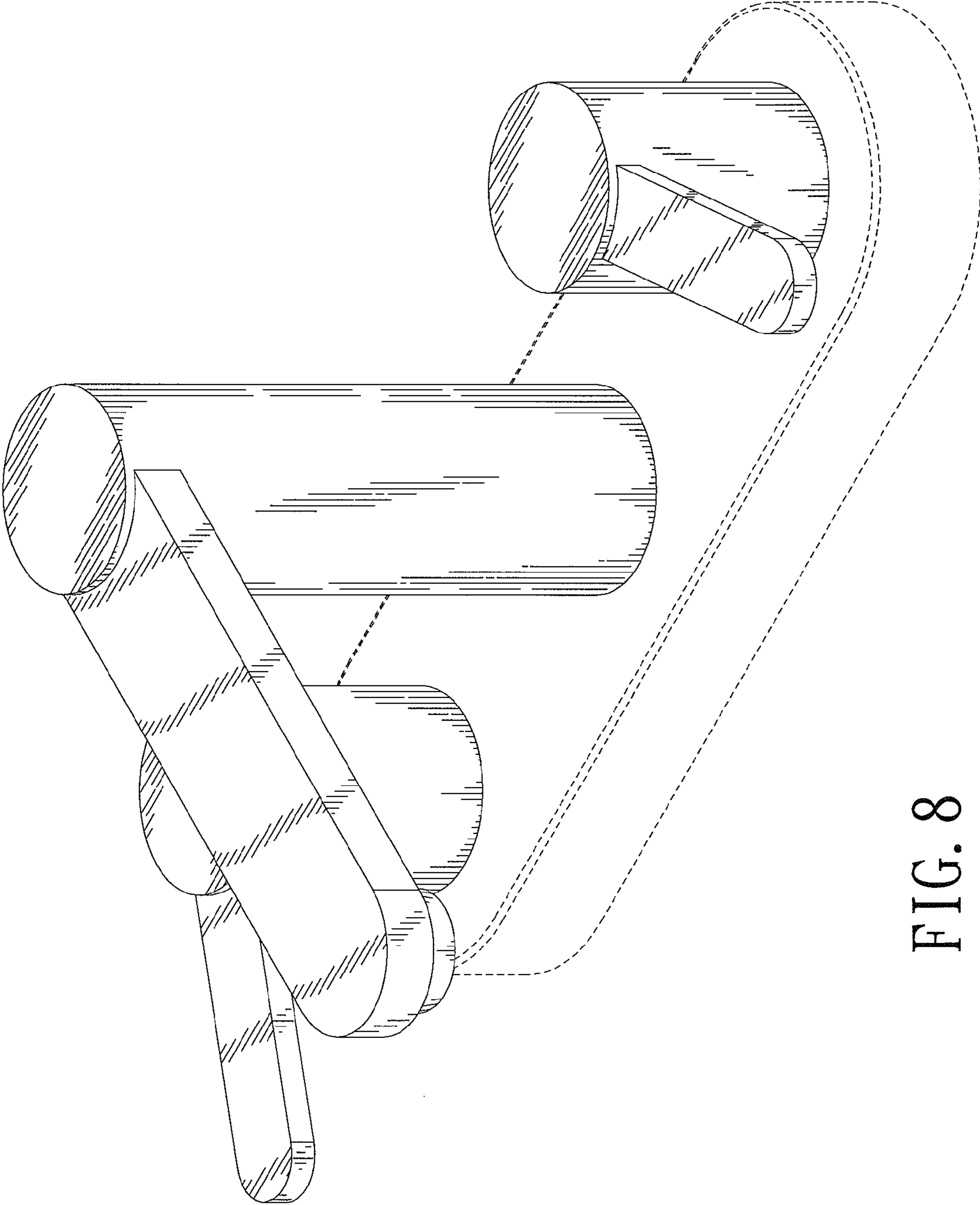


FIG. 8