

US00D634397S

(12) **United States Design Patent**
Lautzenheiser et al.

(10) **Patent No.:** **US D634,397 S**
(45) **Date of Patent:** **** Mar. 15, 2011**

(54) **WATER TREATMENT DEVICE**

(75) Inventors: **Terry L. Lautzenheiser**, Nunica, MI (US); **Bradley J. Pippel**, Grandville, MI (US); **Kenneth E. Conrad**, Ada, MI (US); **Richard J. Weber**, Grand Haven, MI (US); **Ryan D. Schamper**, Grand Haven, MI (US)

(73) Assignee: **Access Business Group International LLC**, Ada, MI (US)

(**) Term: **14 Years**

(21) Appl. No.: **29/359,593**

(22) Filed: **Apr. 13, 2010**

(51) **LOC (9) Cl.** **23-01**

(52) **U.S. Cl.** **D23/207**

(58) **Field of Classification Search** D23/207,
D23/209; 210/190, 223, 232, 244, 248, 249,
210/255, 257.1-257.2, 259-262, 266, 282,
210/287, 295, 317, 418, 435, 437, 441, 446-449,
210/452, 455, 456, 457, 459-461, 464
See application file for complete search history.

(56) **References Cited**

U.S. PATENT DOCUMENTS

D398,369 S * 9/1998 Hayes et al. D23/209
6,248,244 B1 * 6/2001 Dann 210/764

D454,614 S * 3/2002 Marston D23/207
D545,395 S * 6/2007 Morgan et al. D23/207
D557,762 S * 12/2007 Novotny et al. D23/207
7,670,485 B2 * 3/2010 Duplessis et al. 210/190
D626,621 S * 11/2010 Olson et al. D23/207

* cited by examiner

Primary Examiner — Cathron C. Brooks

Assistant Examiner — Maurice Stevens

(74) *Attorney, Agent, or Firm* — Warner Norcross & Judd LLP

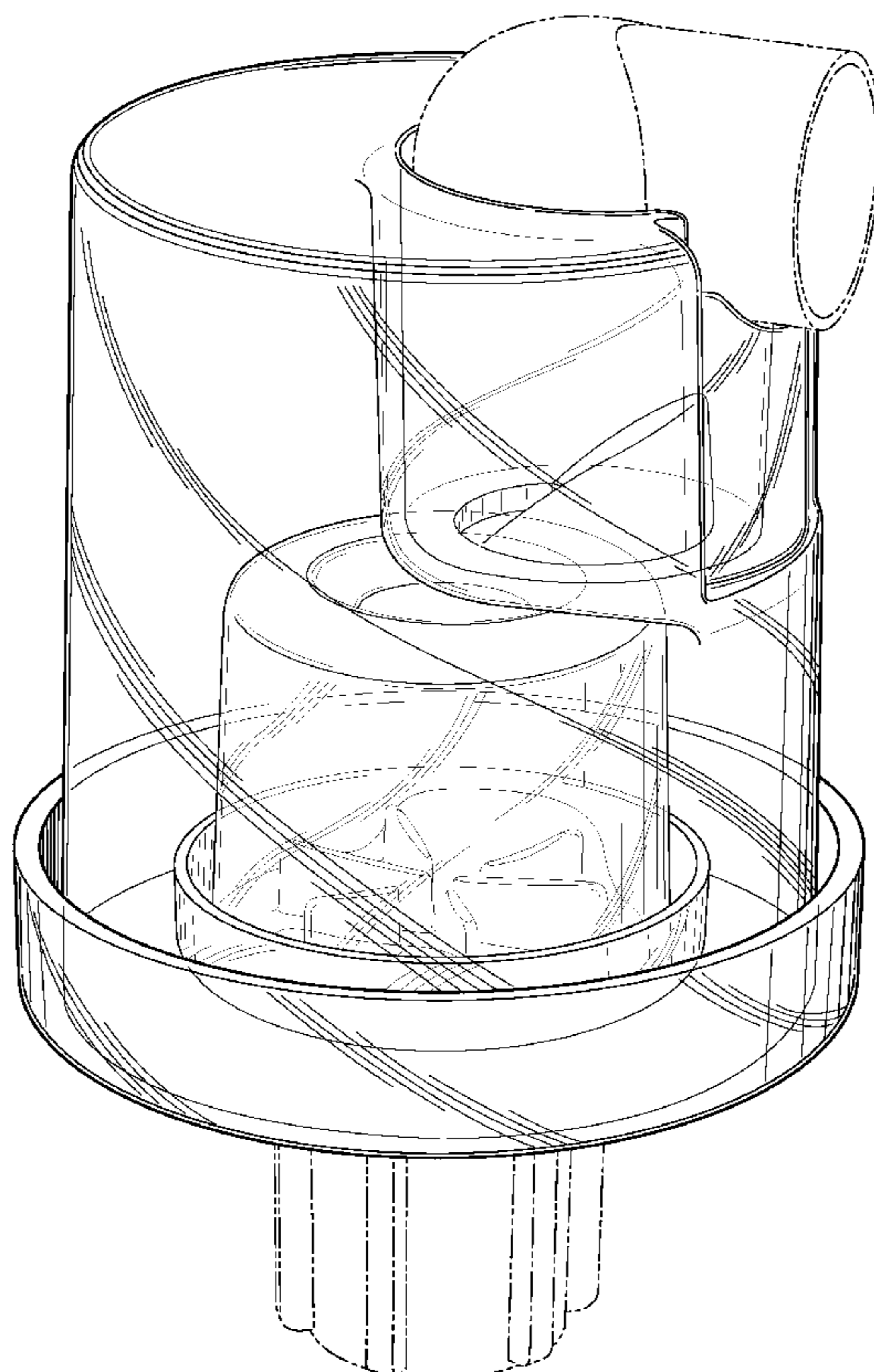
(57) **CLAIM**

The ornamental design for a water treatment device, as shown and described.

DESCRIPTION

FIG. 1 is a perspective view of a water treatment device in accordance with the present invention;
FIG. 2 is a front view thereof;
FIG. 3 is a rear view thereof;
FIG. 4 is a right side view thereof, the left side view being a mirror image of the right side view;
FIG. 5 is a top view thereof; and,
FIG. 6 is a bottom view thereof.
FIGS. 1-6 show portions of the water treatment device in phantom lines. The portions shown in phantom lines are for environmental purposes only and form no part of the claimed design.

1 Claim, 6 Drawing Sheets



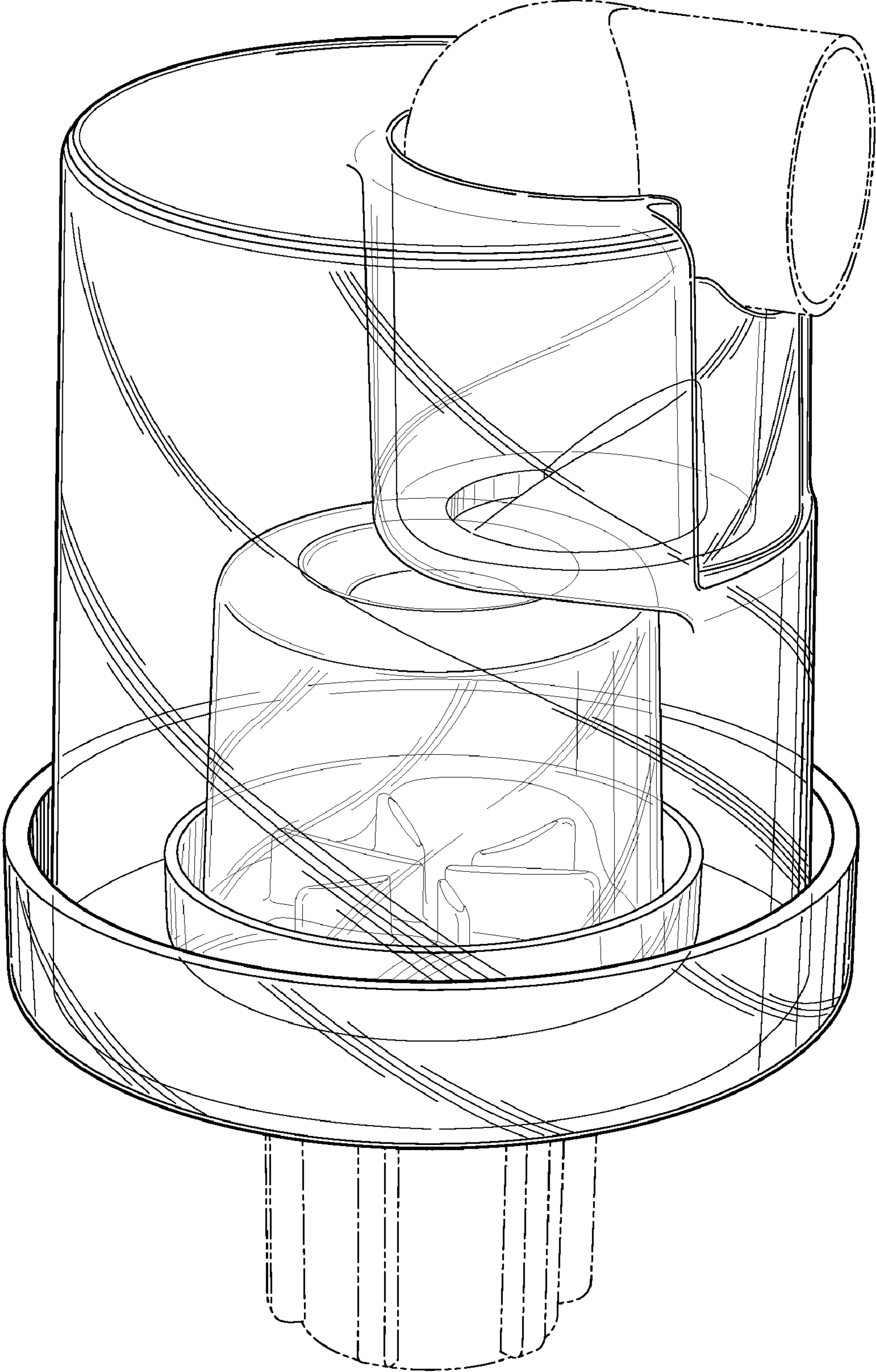


Fig. 1

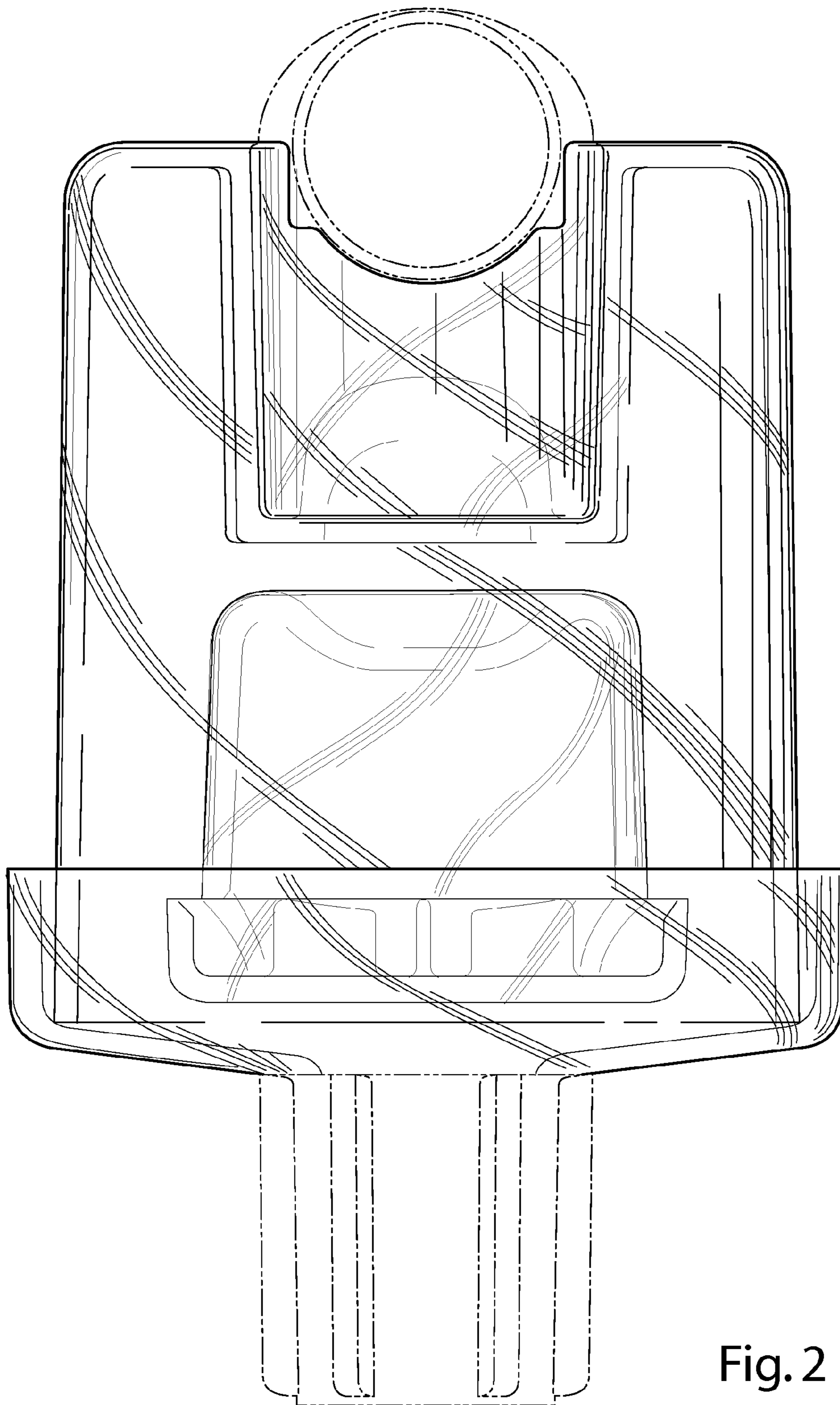


Fig. 2

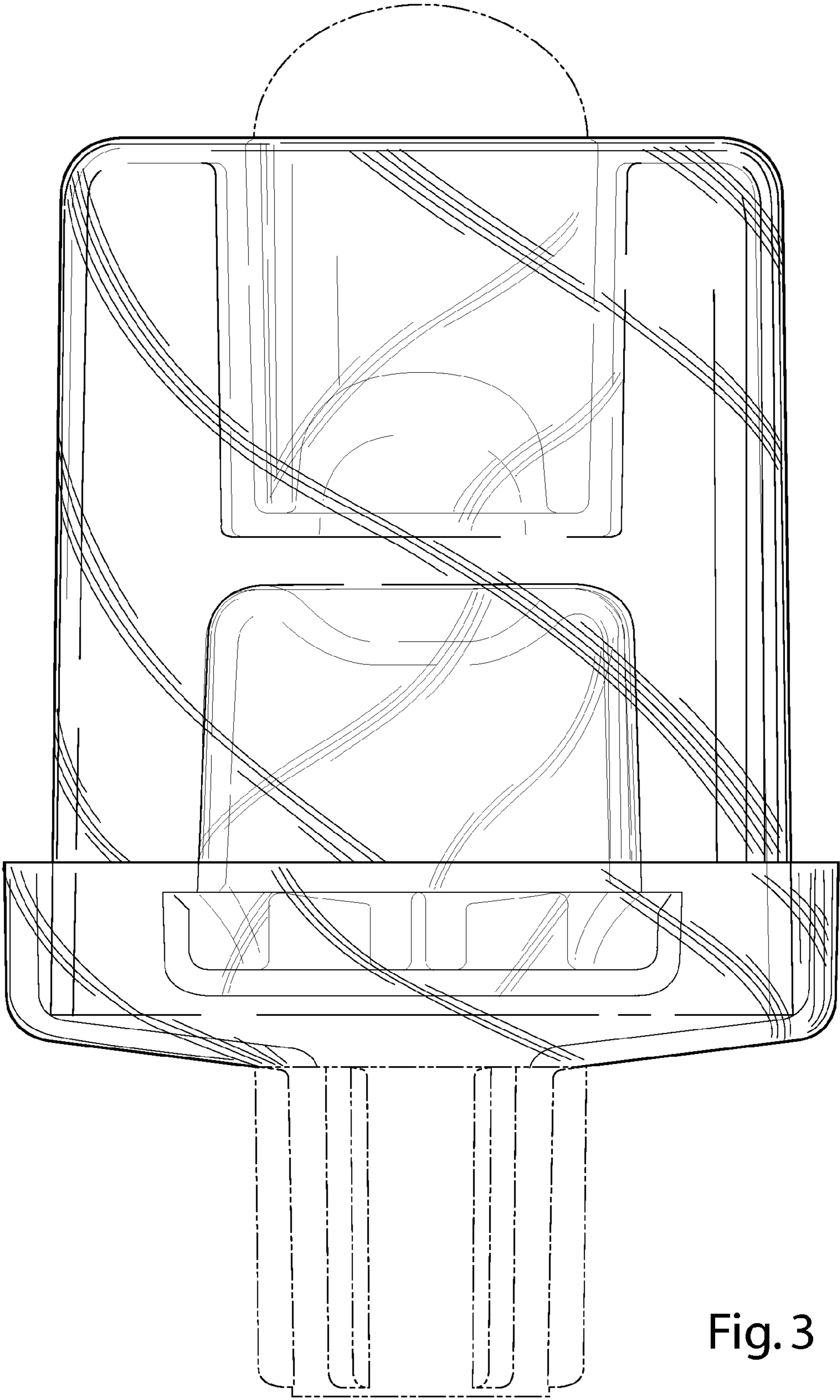


Fig. 3

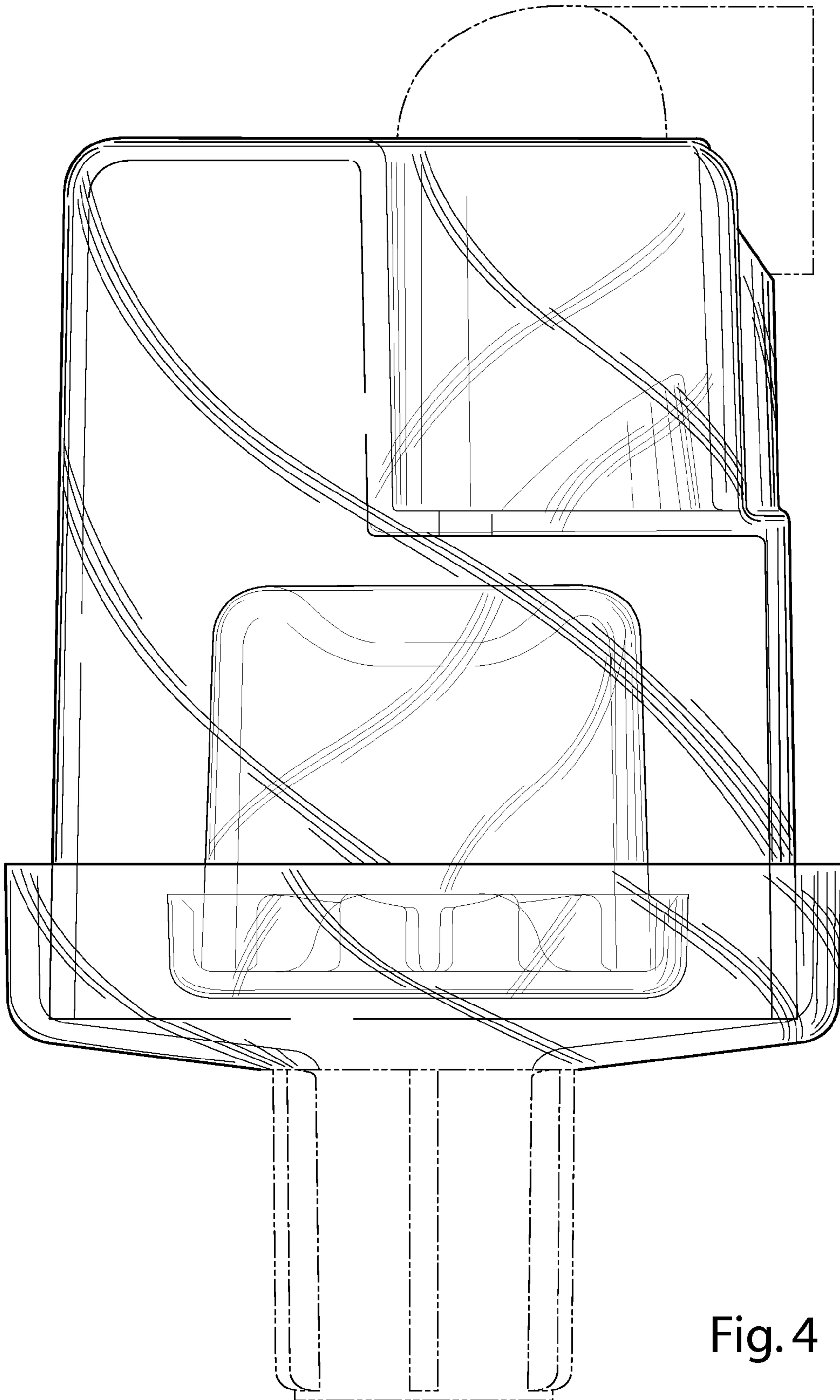


Fig. 4

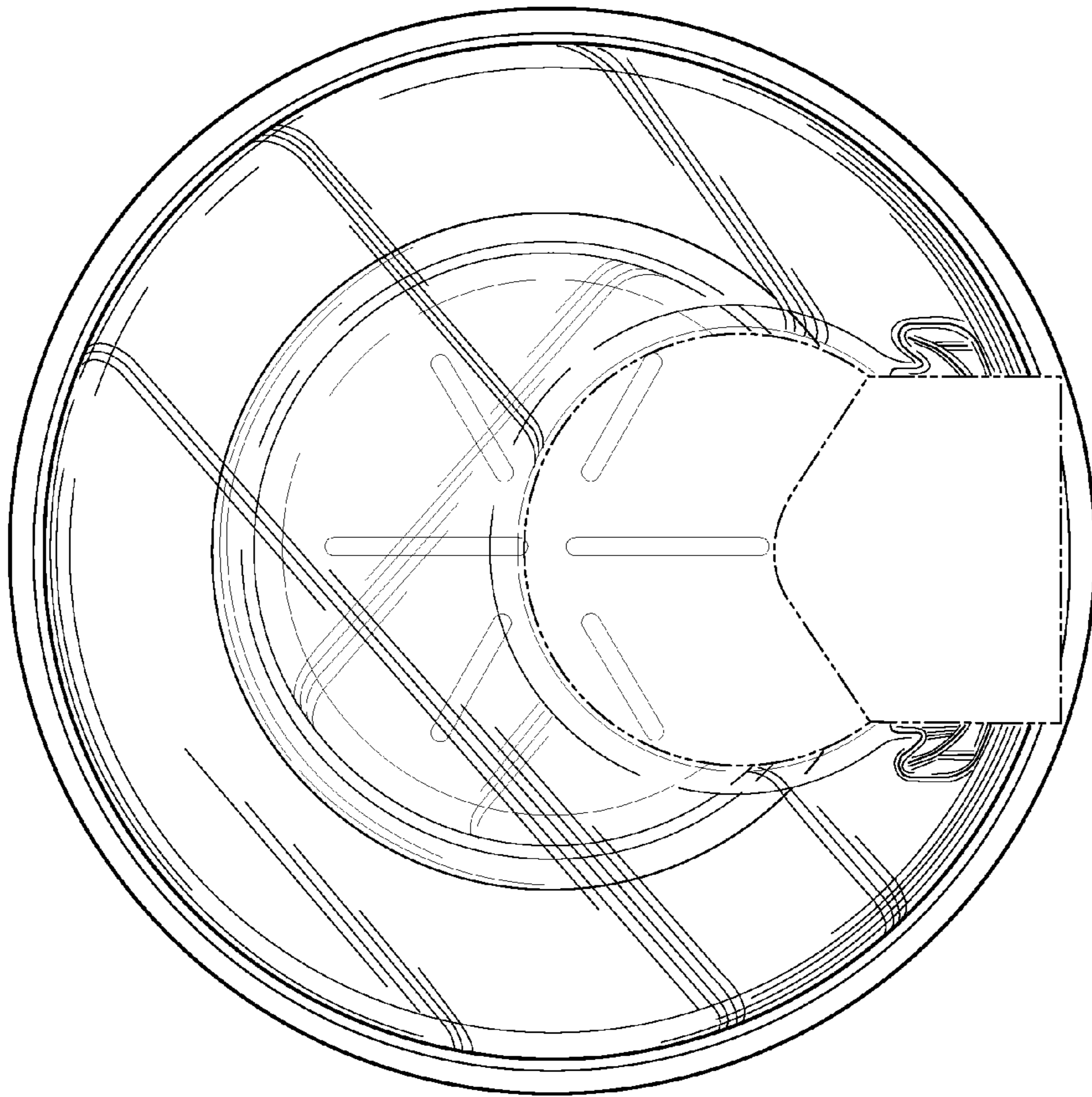


Fig. 5

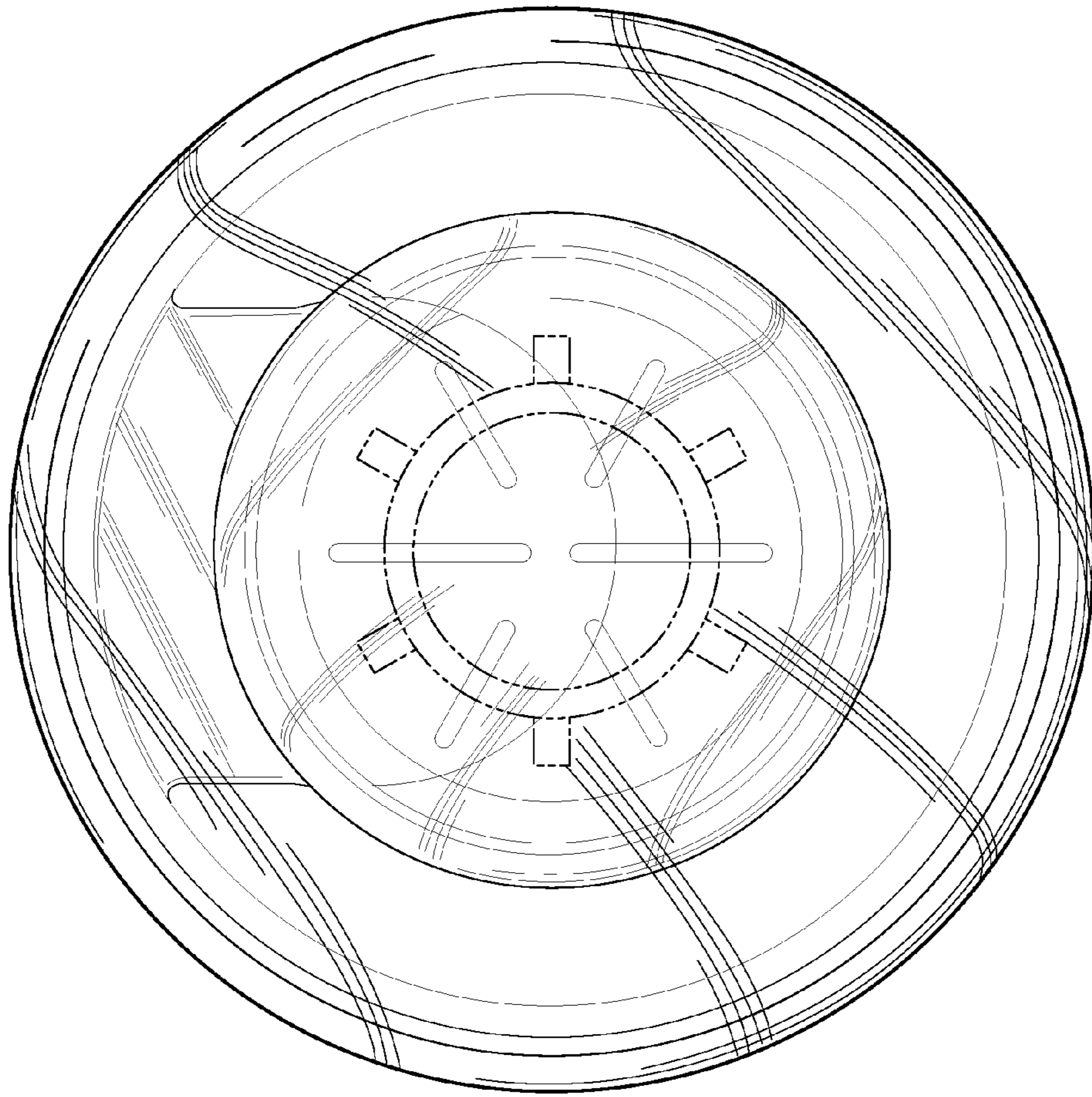


Fig. 6