



US00D634396S

(12) **United States Design Patent**
Eaton

(10) **Patent No.:** **US D634,396 S**
(45) **Date of Patent:** **** Mar. 15, 2011**

(54) **UNIVERSAL TANK OVERLAY**

(76) Inventor: **Edward J. Eaton**, Bay Shore, NY (US)

(**) Term: **14 Years**

(21) Appl. No.: **29/355,610**

(22) Filed: **Feb. 10, 2010**

(51) **LOC (9) Cl.** **23-01**

(52) **U.S. Cl.** **D23/206**

(58) **Field of Classification Search** D23/202–206;
428/99; 220/581, 587–586, 565
See application file for complete search history.

(56) **References Cited**

U.S. PATENT DOCUMENTS

301,211	A	7/1884	Canan	
2,928,565	A	3/1960	Glasoe	
D243,454	S *	2/1977	Kerr et al.	D23/202
5,893,479	A	4/1999	Berberat	
D460,145	S *	7/2002	Johnson	D23/206
D559,942	S *	1/2008	Rogers	D23/206
2003/0054309	A1	3/2003	King et al.	

FOREIGN PATENT DOCUMENTS

CN 2006-20087684 8/2007

OTHER PUBLICATIONS

Advertisement for Tank Mak Custom Oil Tank dated Jun. 24, 2005 from Oil Storage Solutions from <http://www.oilstoragesolutions.com/tankmate.htm>.

* cited by examiner

Primary Examiner—Robin V Webster

(74) *Attorney, Agent, or Firm*—Harold G. Furlow, Esq

(57) **CLAIM**

The ornamental design for a universal tank overlay, as shown and described.

DESCRIPTION

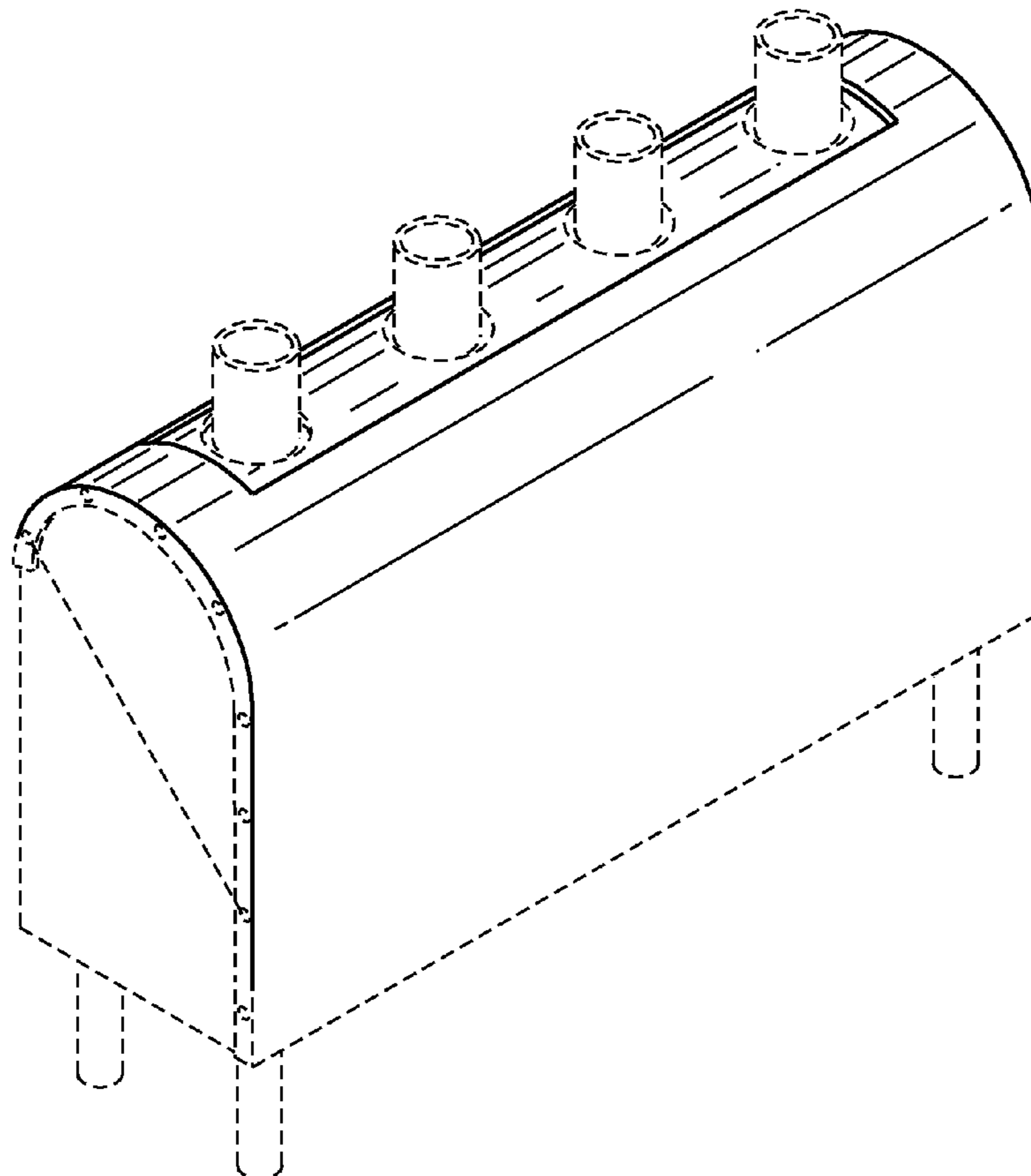
FIG. 1 is a front, side and top perspective view of a universal tank overlay;

FIG. 2 is a side elevation view thereof; and,

FIG. 3 is a rear view thereof.

The broken lines in the drawings are for illustrative purposes only and form no part of the claimed designs.

1 Claim, 3 Drawing Sheets



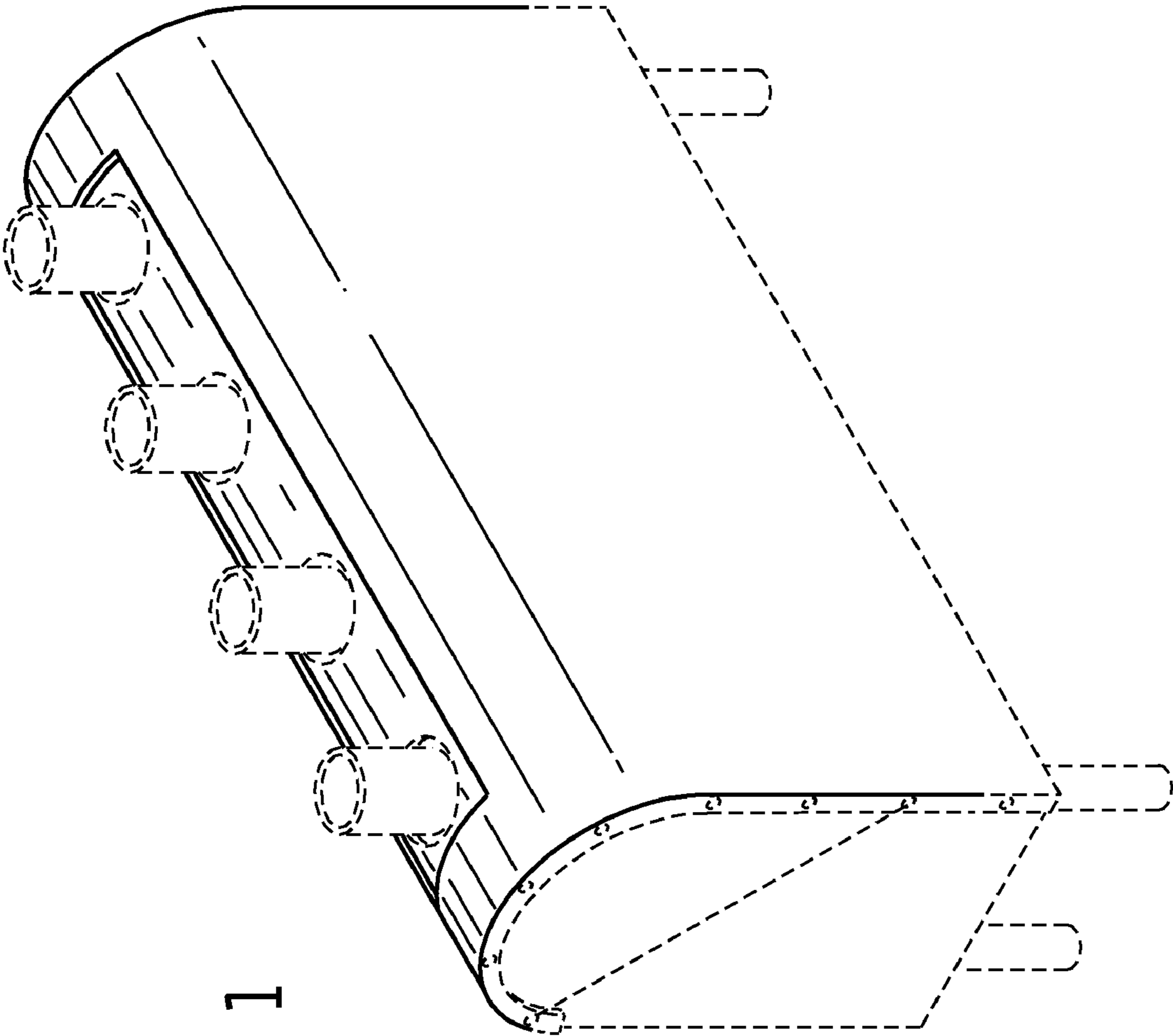


FIG. 1

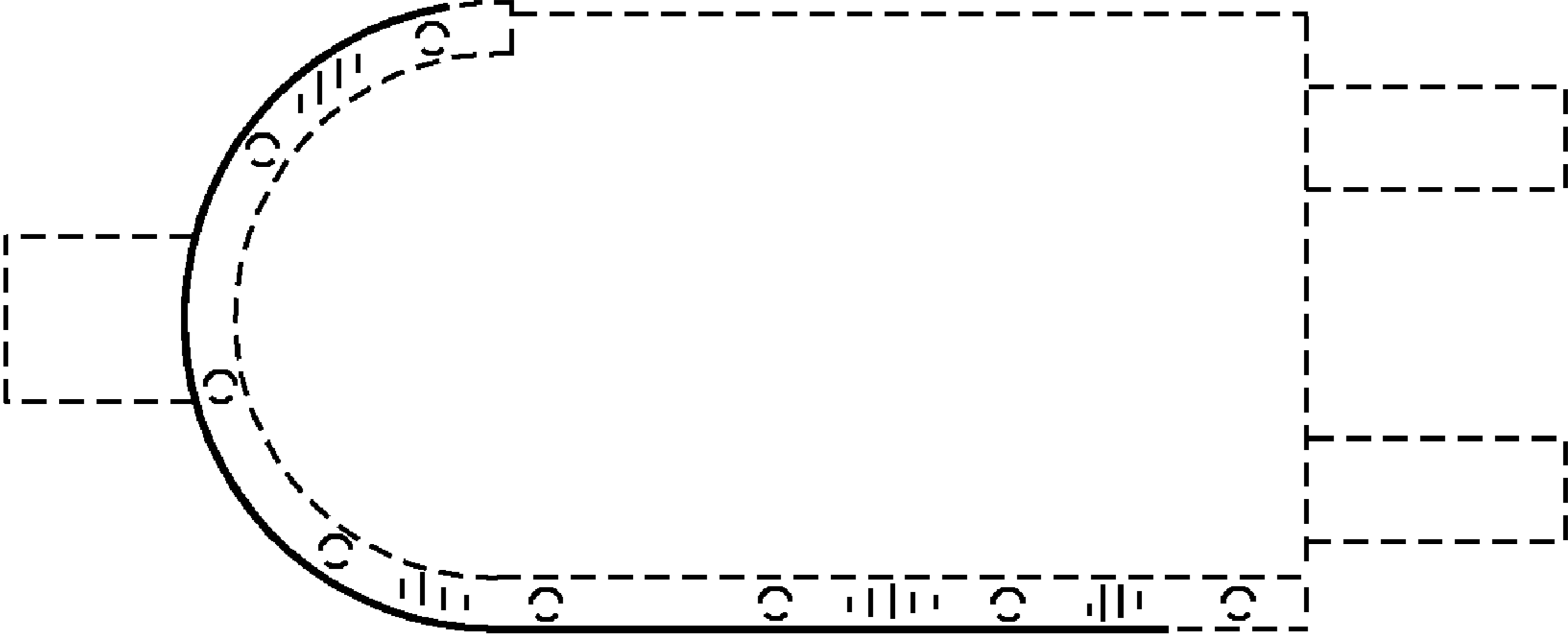


FIG. 2

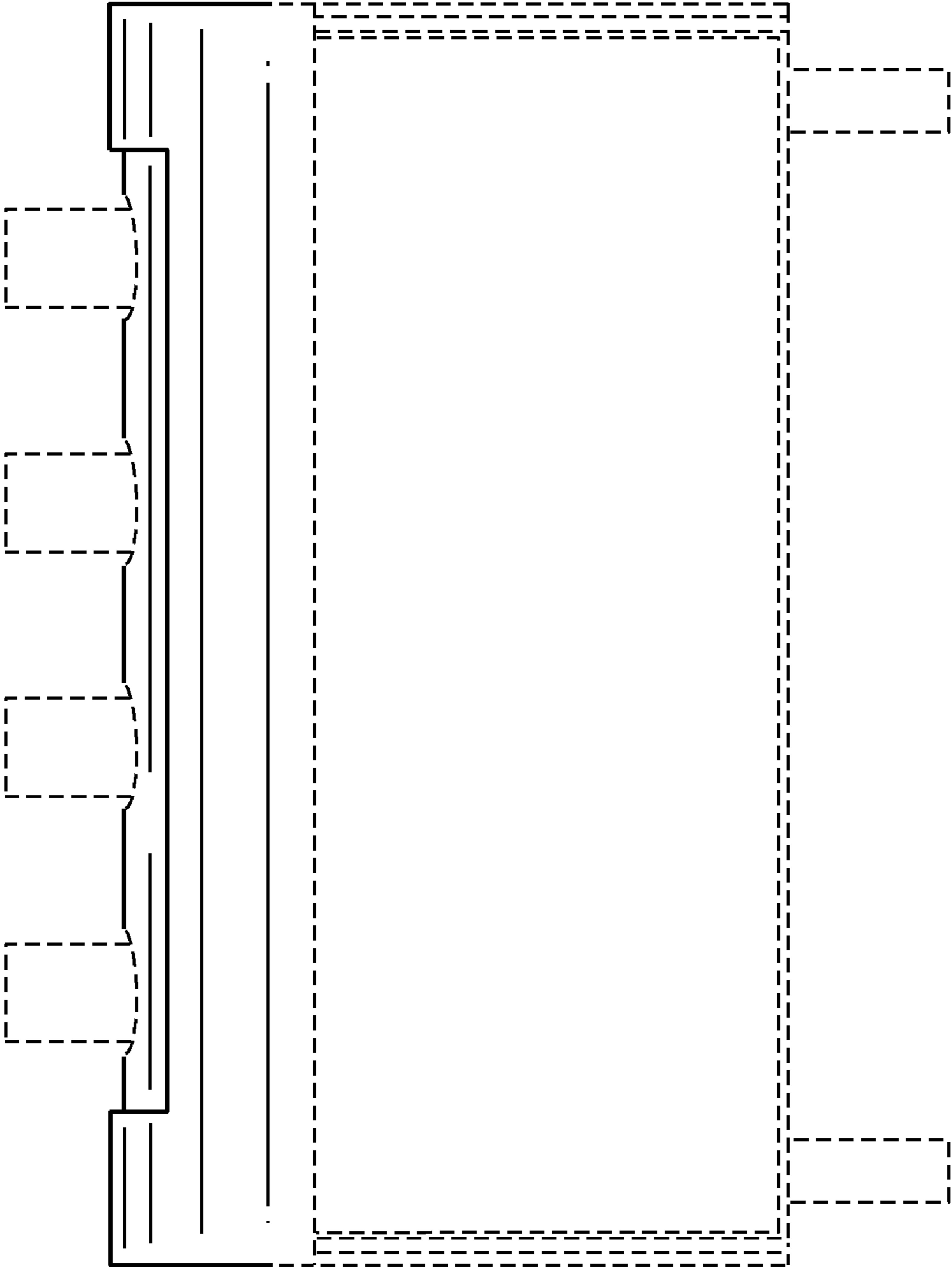


FIG. 3