



US00D634395S

(12) **United States Design Patent**  
**Raz et al.**

(10) **Patent No.:** **US D634,395 S**  
(45) **Date of Patent:** **\*\* Mar. 15, 2011**

(54) **LIQUID CONTAINER AND CRATE ASSEMBLY**

(75) Inventors: **Richard Raz**, Carol Stream, IL (US);  
**Larry Ronald Hughes**, Lindsay, CA (US)

(73) Assignee: **Bonar Plastics, Inc.**, Lincoln, NE (US)

(\*\*) Term: **14 Years**

(21) Appl. No.: **29/363,627**

(22) Filed: **Jun. 11, 2010**

**Related U.S. Application Data**

(63) Continuation of application No. 12/589,515, filed on Jan. 27, 2009.

(51) **LOC (9) Cl.** ..... **23-01**

(52) **U.S. Cl.** ..... **D23/202**

(58) **Field of Classification Search** ..... D23/202-205;  
220/586-587, 565, 567.1, 581, 23.89  
See application file for complete search history.

(56) **References Cited**

**U.S. PATENT DOCUMENTS**

D298,450 S \* 11/1988 Thomas et al. .... D23/202  
D305,353 S \* 1/1990 Thomas ..... D23/202

D331,094 S \* 11/1992 Sterett ..... D23/202  
D336,327 S \* 6/1993 Zorb et al. .... D23/202  
D337,367 S \* 7/1993 McKenzie et al. .... D23/202  
D394,302 S \* 5/1998 Harris et al. .... D23/202  
D418,196 S \* 12/1999 Faltys et al. .... D23/202

\* cited by examiner

*Primary Examiner* — Robin V Webster

(74) *Attorney, Agent, or Firm* — Van Dyke, Gardner, Linn & Burkhardt, LLP

(57) **CLAIM**

The ornamental design for the liquid container and crate assembly, the liquid container, and the crate, as shown and described.

**DESCRIPTION**

FIG. 1 is an exploded perspective of the container and crate assembly of the present invention;

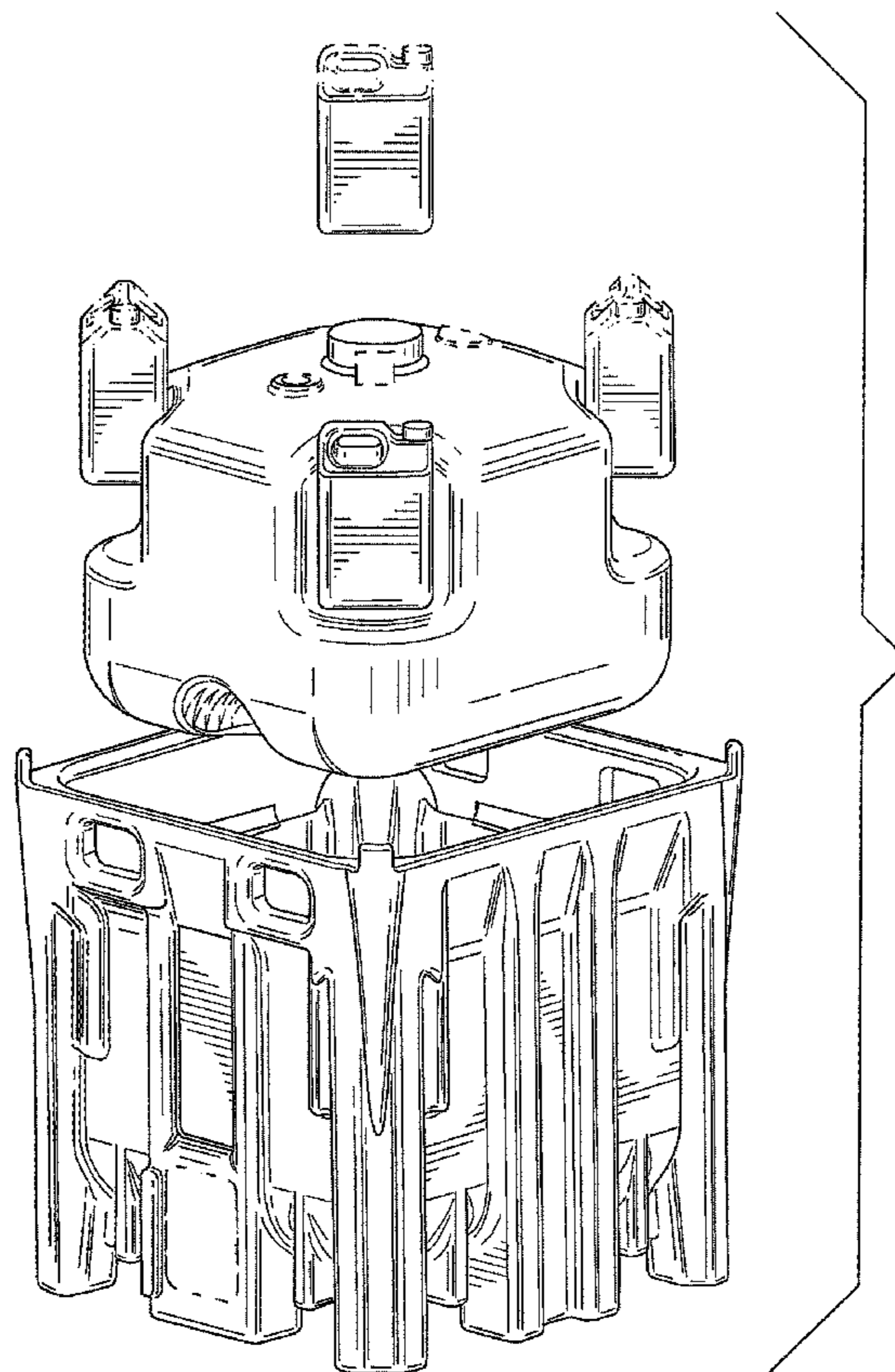
FIG. 2 is a top plan elevation of the container and crate assembly of FIG. 1;

FIG. 3 is a front elevation of the container and crate assembly of FIG. 1; and,

FIG. 4 is a right side elevation of the container and crate assembly, which is substantially identical to the left hand side elevation of the container and crate assembly of FIG. 3.

The broken line showing is included for the purpose of illustrating and forms no part of the claimed design.

**1 Claim, 4 Drawing Sheets**



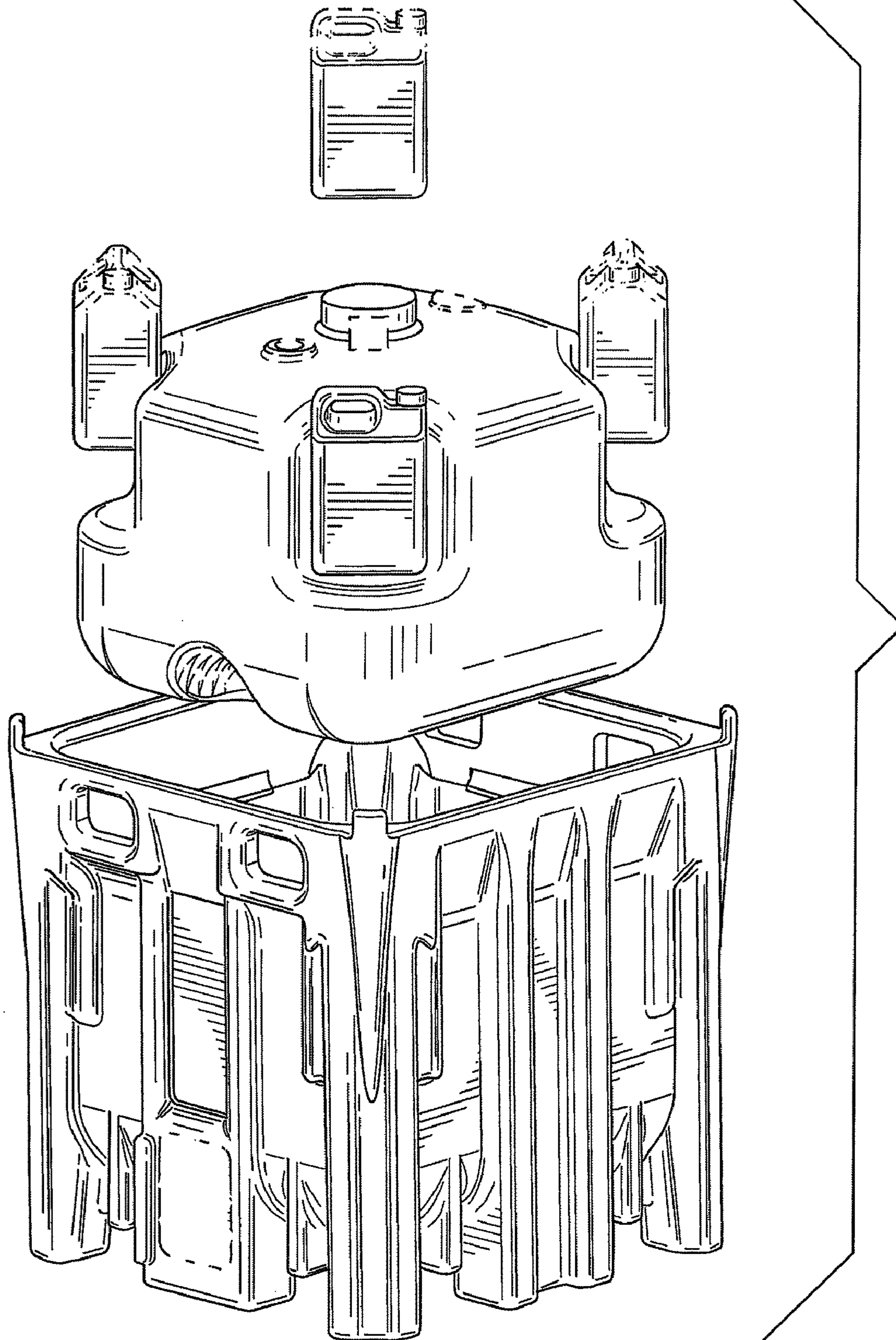


FIG. 1

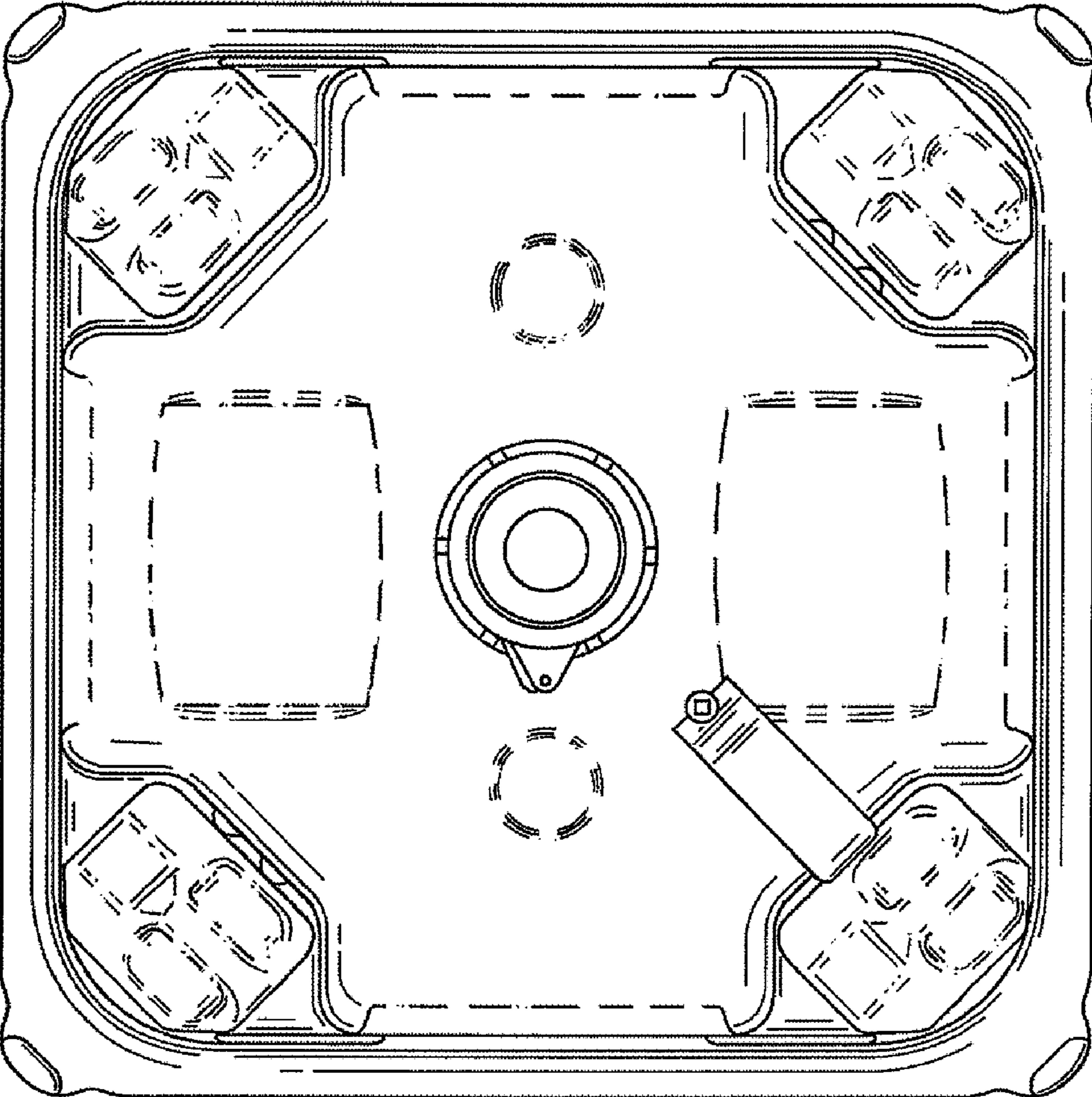


FIG. 2

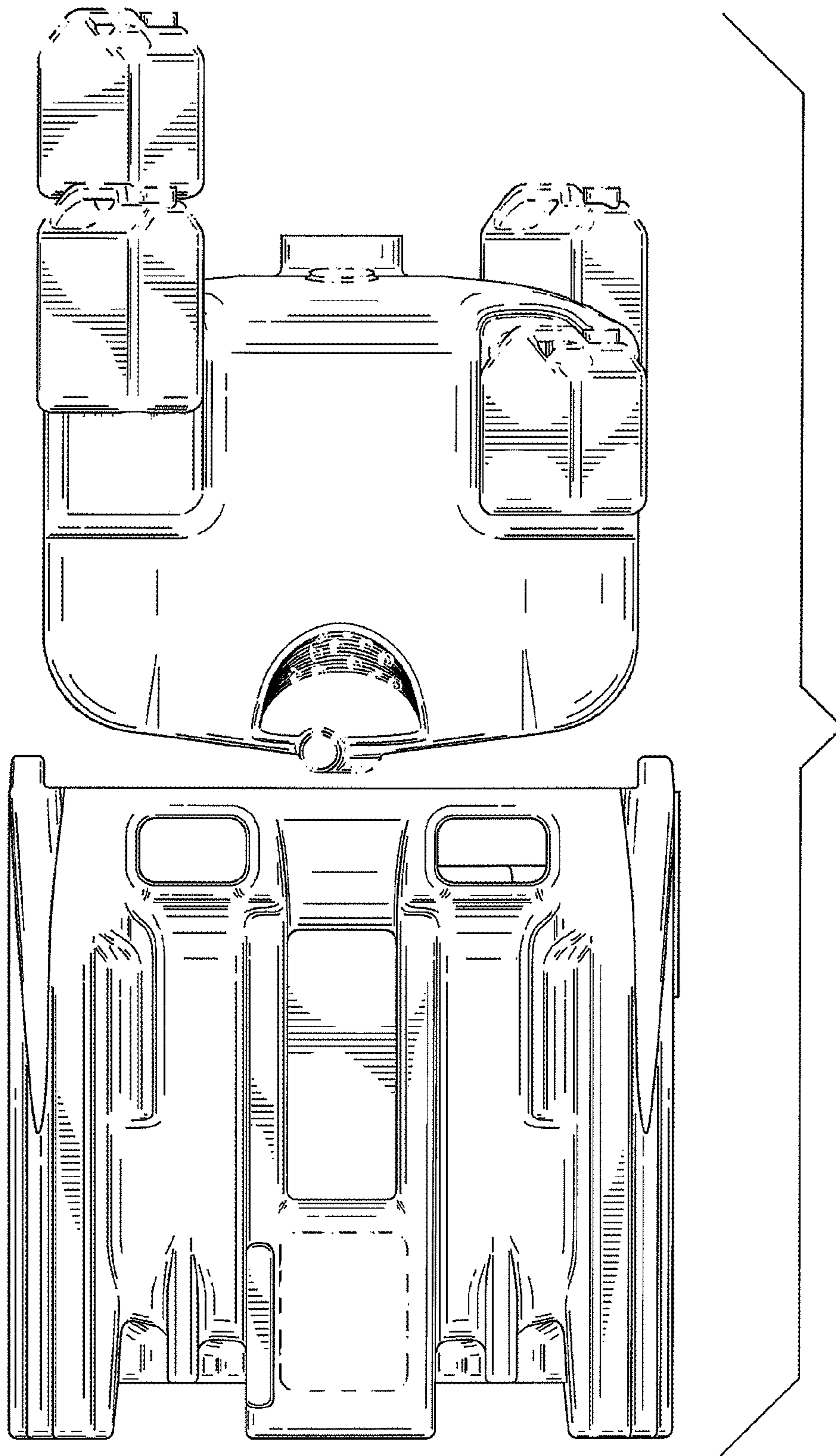


FIG. 3

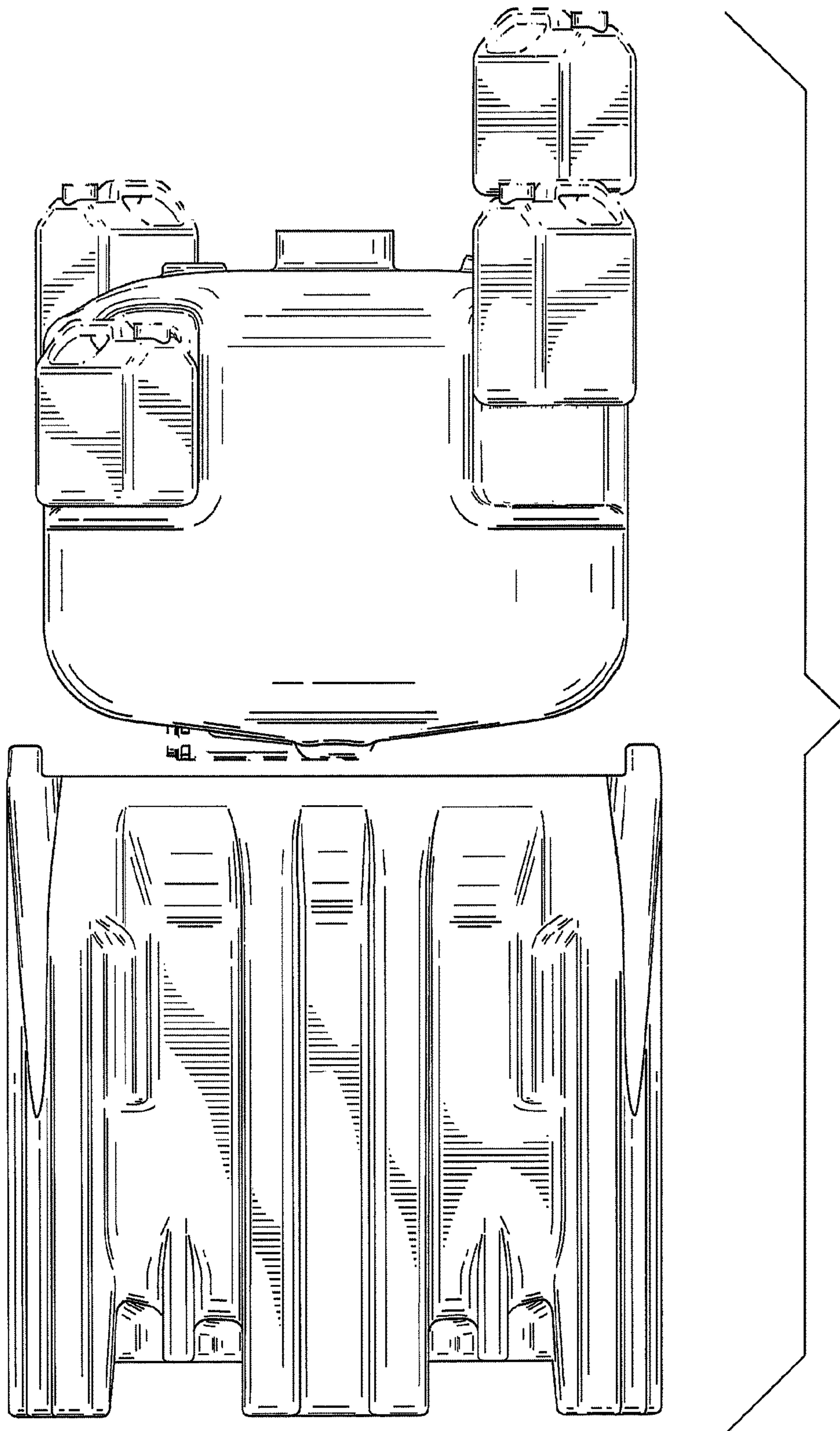


FIG. 4