



US00D634393S

(12) **United States Design Patent**  
**Portscheller**

(10) **Patent No.:** **US D634,393 S**  
(45) **Date of Patent:** **\*\* Mar. 15, 2011**

(54) **FISHING ROD PERCH WITH IMPROVED SWIVEL AND FISH STRIKE INDICATOR**

(74) *Attorney, Agent, or Firm* — Joe M. Portscheller

(76) Inventor: **Joe Mathew Portscheller**, Ione, CA (US)

(57) **CLAIM**  
The ornamental design for a fishing rod perch with improved swivel and fish strike indicator, as shown and described.

(\*\*) Term: **14 Years**

**DESCRIPTION**

(21) Appl. No.: **29/348,415**

FIG. 1 is a perspective view of a fishing rod perch with improved swivel and fish strike indicator according to the invention;

(22) Filed: **Jan. 4, 2010**

FIG. 2 is another perspective view thereof;

(51) **LOC (9) Cl.** ..... **22-05**

(52) **U.S. Cl.** ..... **D22/147**

(58) **Field of Classification Search** ..... D22/147-148;  
43/21.2, 17; 248/514-515, 518, 520, 538,  
248/512; D6/552

FIG. 3 is another perspective view of the design shown in use, with the broken line environment being for illustrative purposes only and forming no part of the claimed design;

See application file for complete search history.

FIG. 4 is a side elevation view, with the broken lines being for illustrative purposes only and forming no part of the claimed design;

(56) **References Cited**

**U.S. PATENT DOCUMENTS**

4,156,982	A *	6/1979	Phillips, Jr. ....	43/21.2
4,964,233	A *	10/1990	Benson et al. ....	43/17
D326,704	S *	6/1992	Calavan ....	D22/147
D393,690	S *	4/1998	Lovelady et al. ....	D22/147

FIG. 5 is a front elevation view shown in use, with the broken line showing of environment being for illustrative purposes only and forming no part of the claimed design;

\* cited by examiner

FIG. 6 is an exploded perspective view;

FIG. 7 is a front elevation view, with the rear elevation view being a mirror image thereof; and,

FIG. 8 is an opposite side view.

*Primary Examiner* — Catherine R Oliver

**1 Claim, 8 Drawing Sheets**

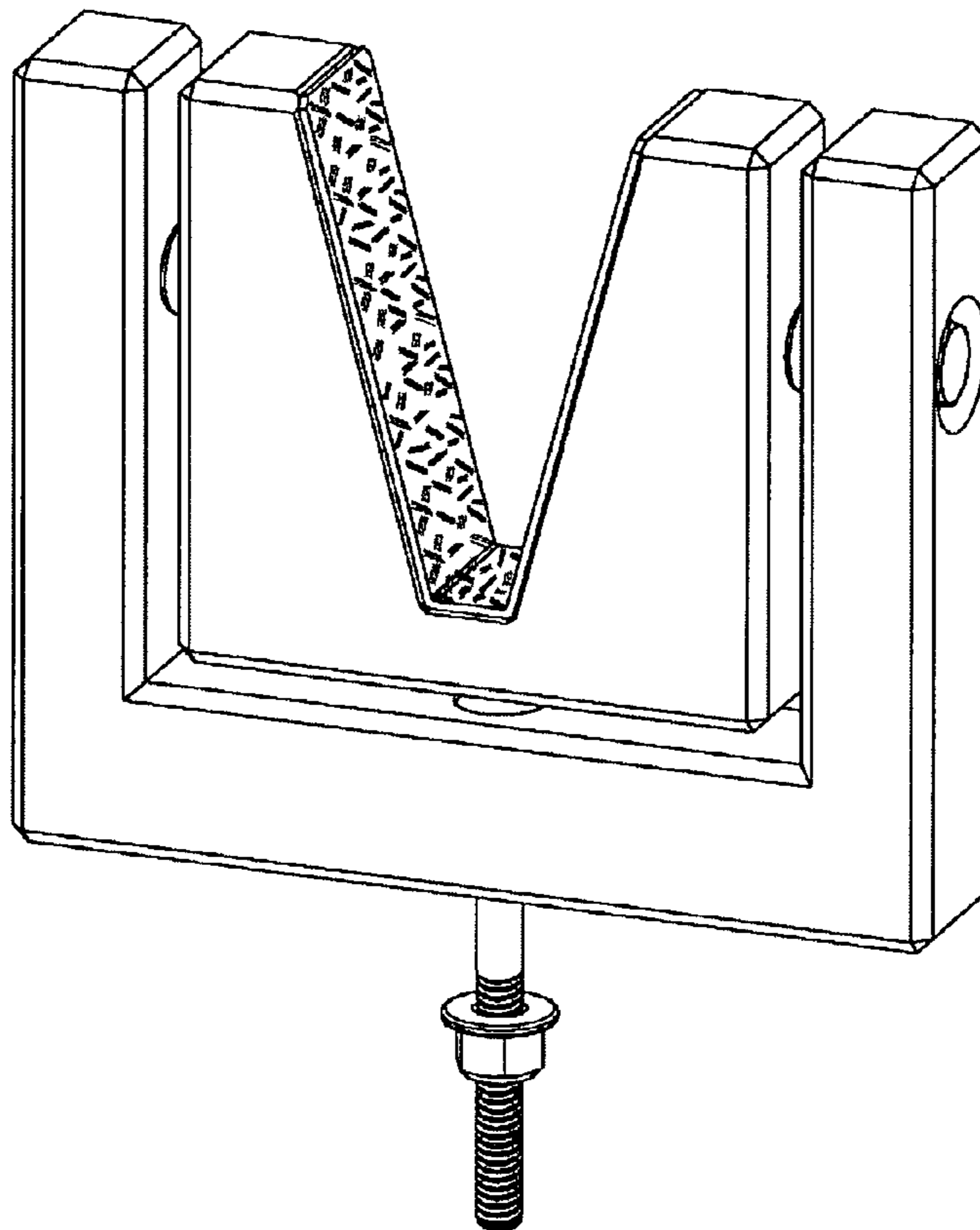


FIGURE 1

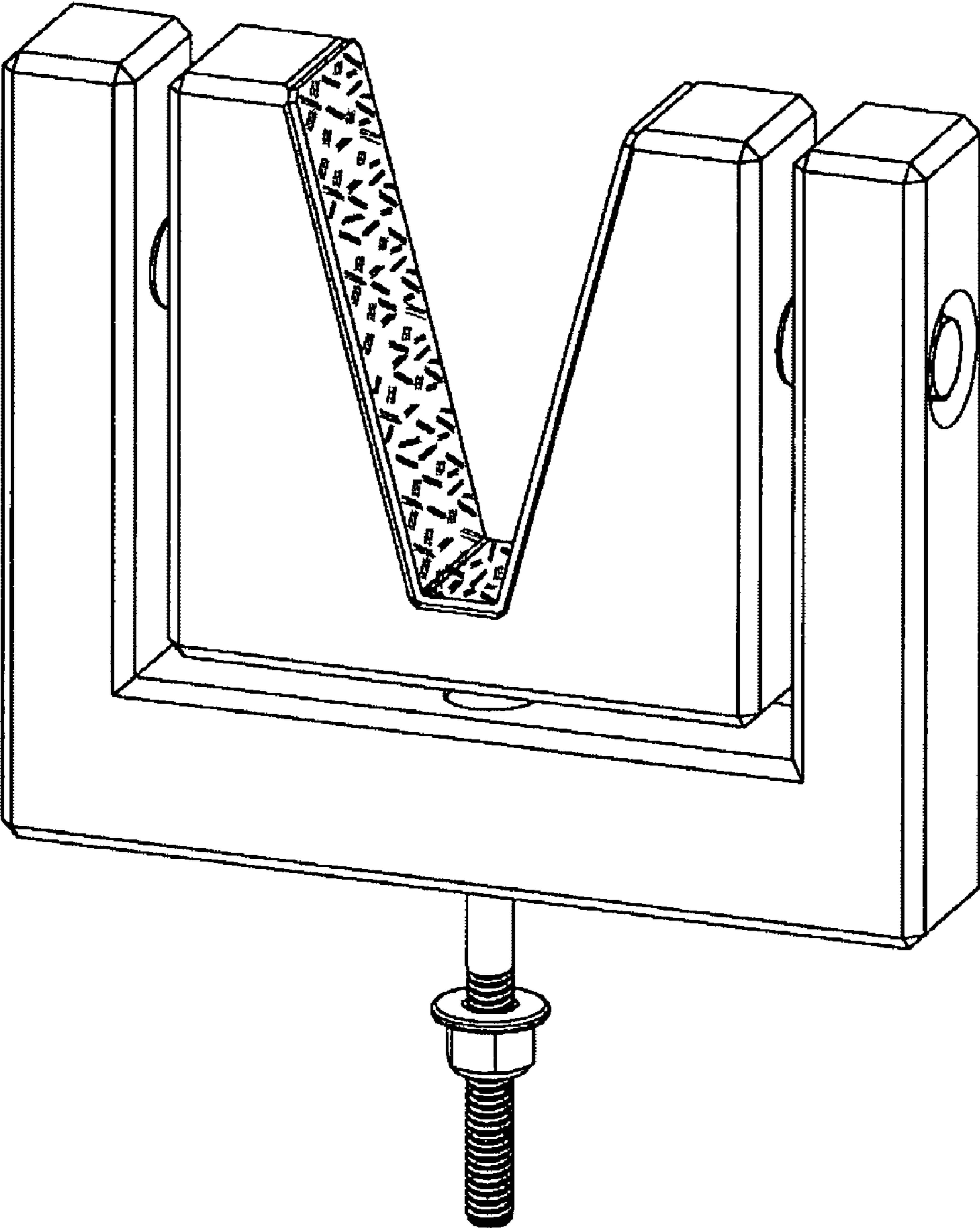


FIGURE 2

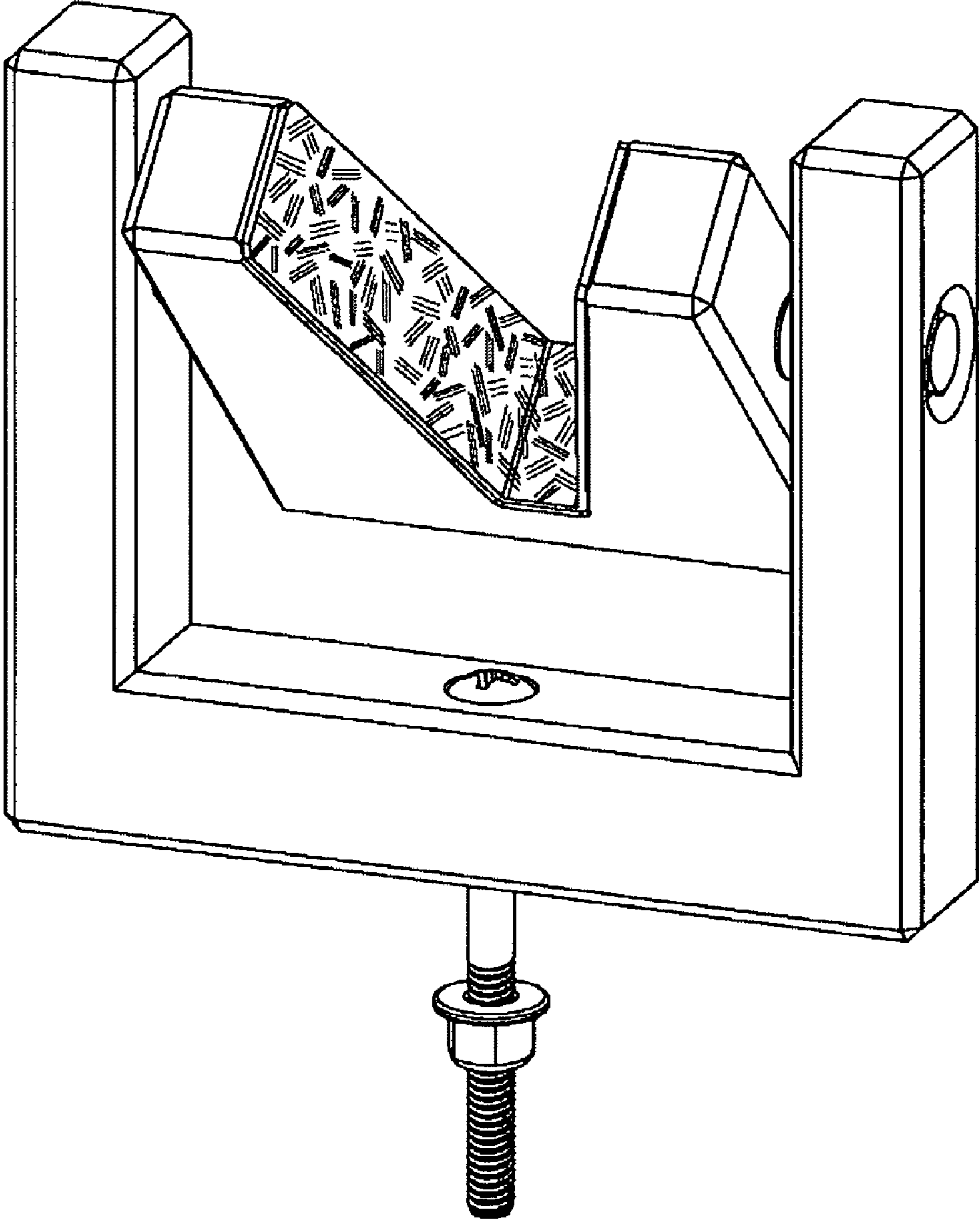


FIGURE 3

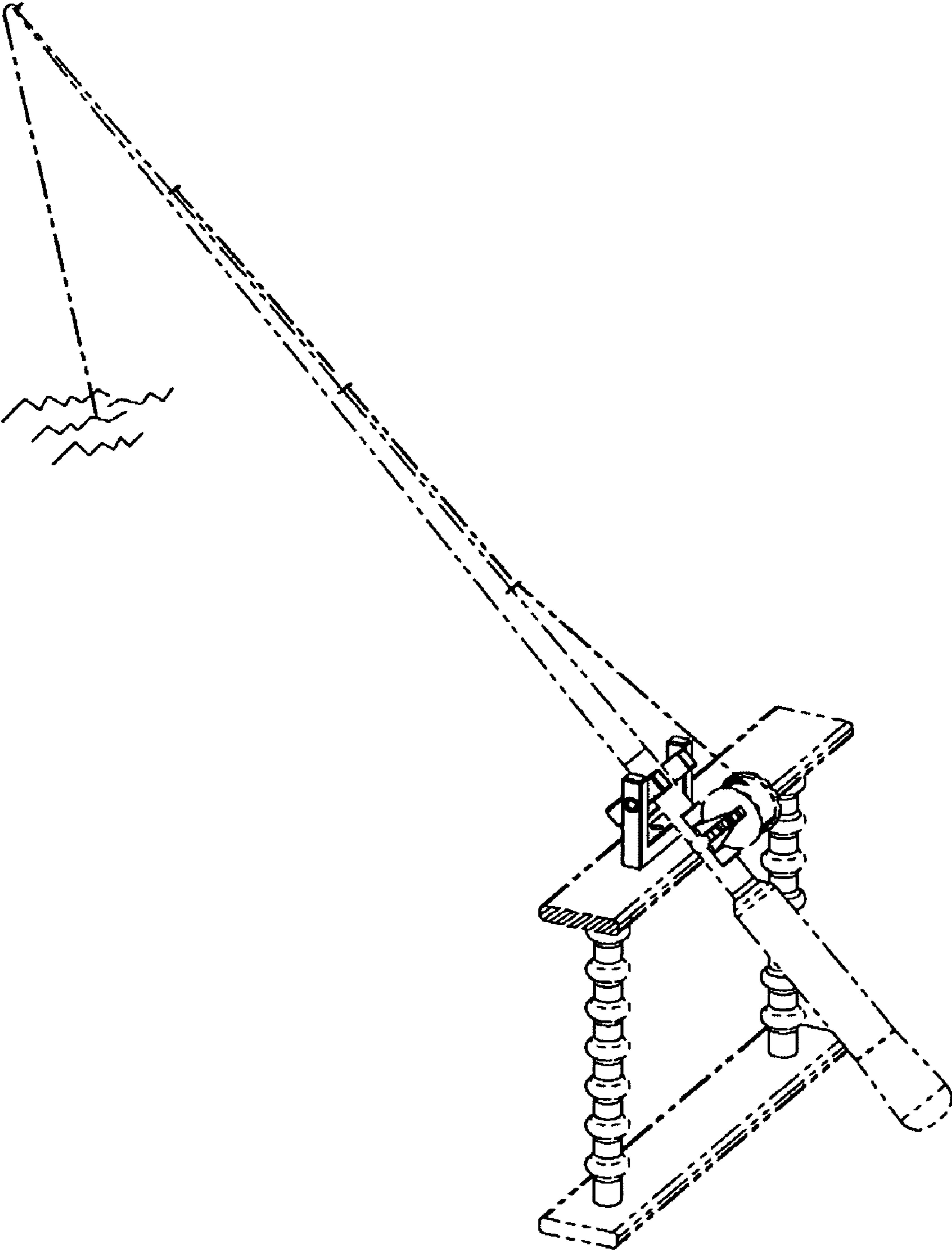


FIGURE 4

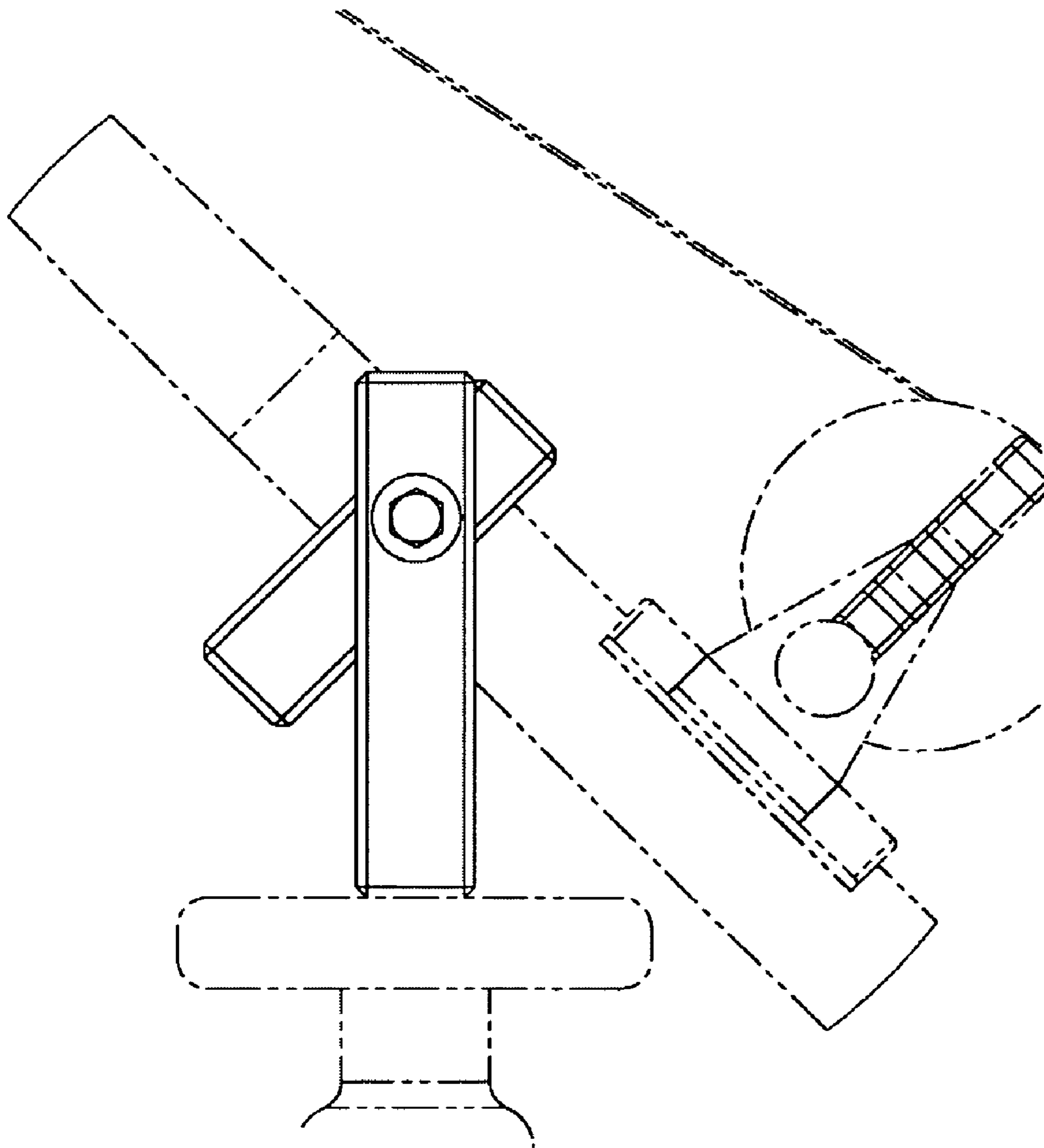


FIGURE 5

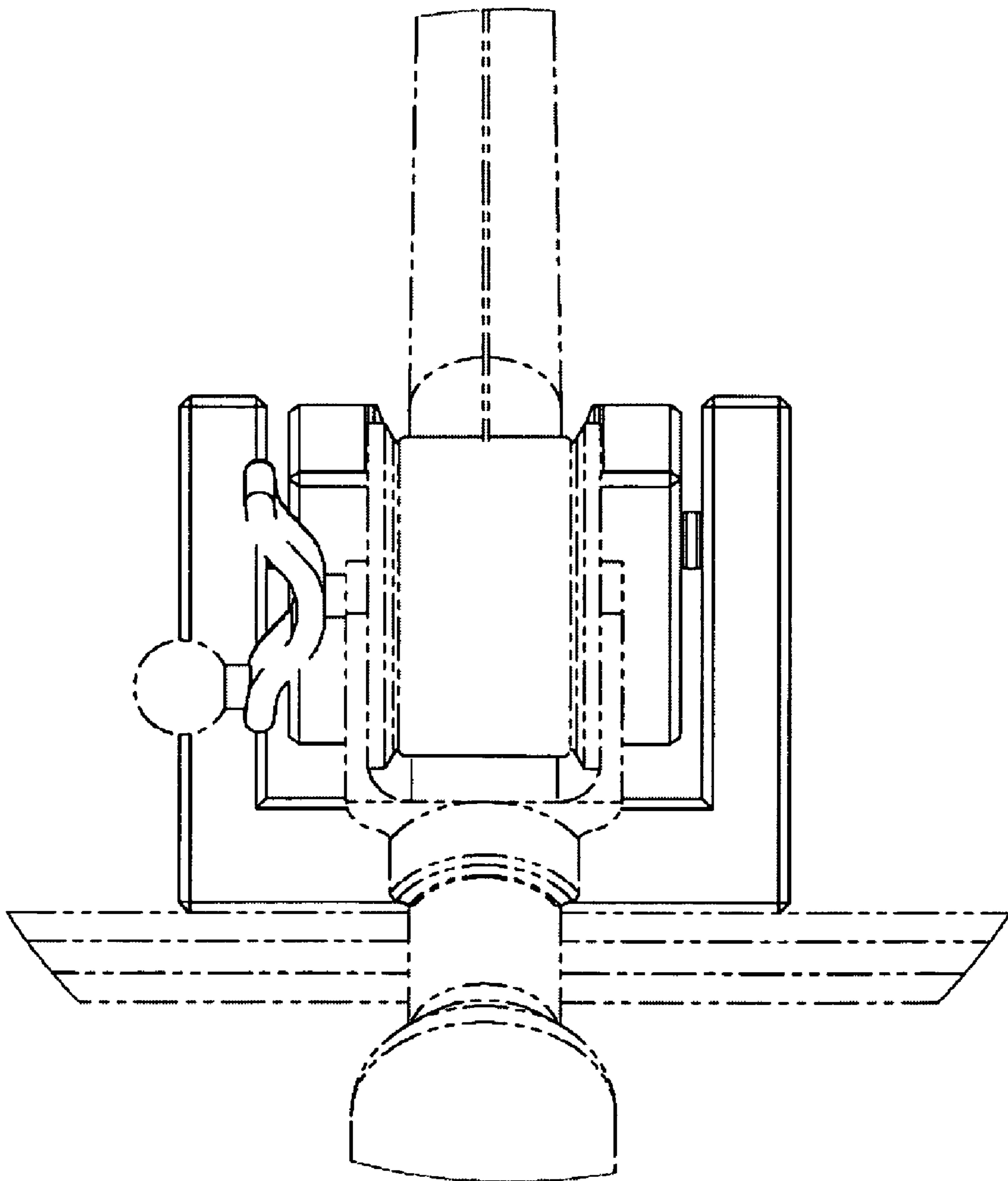


FIGURE 6

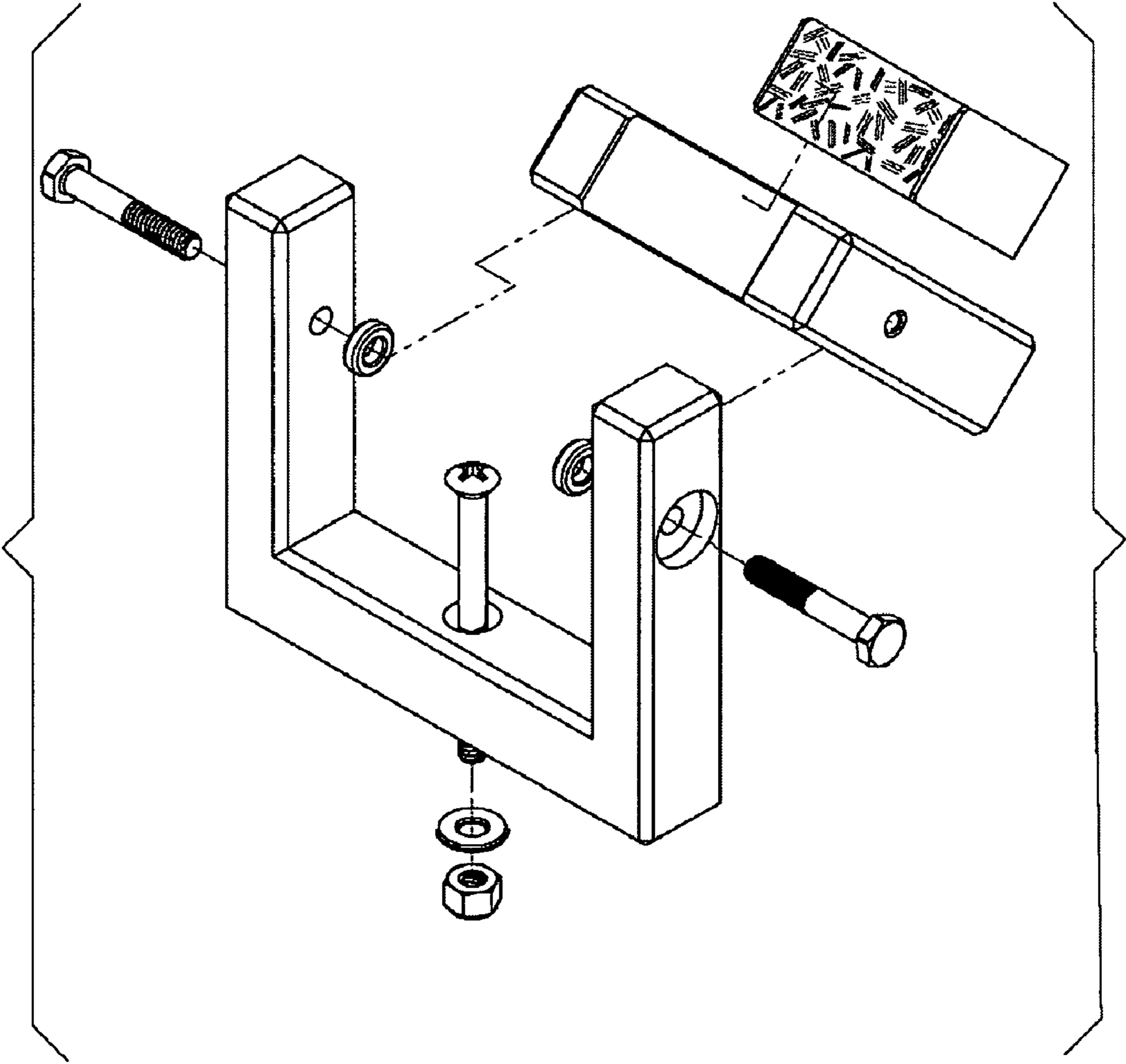


FIGURE 7

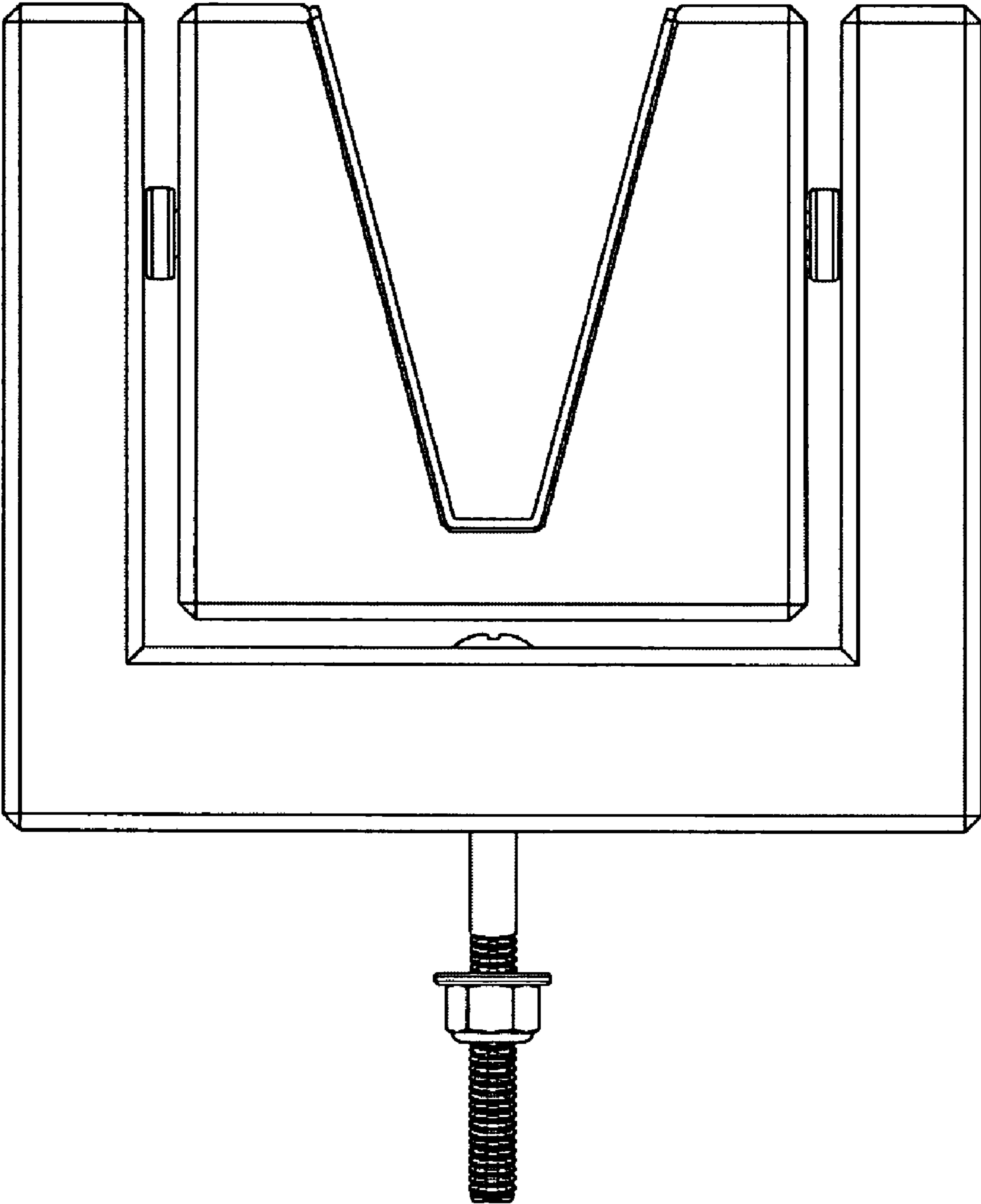




FIGURE 8

