



US00D634392S

(12) **United States Design Patent**
Omura

(10) **Patent No.:** **US D634,392 S**
(45) **Date of Patent:** **** Mar. 15, 2011**

(54) **REEL SEAT FOR USE ON FISHING ROD**

(76) Inventor: **Kazuhito Omura**, Shizuoka (JP)

(**) Term: **14 Years**

(21) Appl. No.: **29/347,977**

(22) Filed: **Aug. 24, 2010**

(30) **Foreign Application Priority Data**

Apr. 16, 2010 (JP) 2010-011329

(51) **LOC (9) Cl.** **22-05**

(52) **U.S. Cl.** **D22/142**

(58) **Field of Classification Search** D22/142,
D22/137-139; 43/18.1, 20-23
See application file for complete search history.

(56) **References Cited**

U.S. PATENT DOCUMENTS

4,802,299	A *	2/1989	Ohmura	43/22
D311,946	S *	11/1990	Ohmura	D22/142
D404,110	S *	1/1999	Ohmura	D22/142
D492,383	S *	6/2004	Saraya	D22/142
D516,163	S *	2/2006	Lin	D22/142
D569,945	S *	5/2008	Omura	D22/142

FOREIGN PATENT DOCUMENTS

JP 877531 9/1993

* cited by examiner

Primary Examiner — Catherine R Oliver

(74) *Attorney, Agent, or Firm* — Bacon & Thomas, PLLC

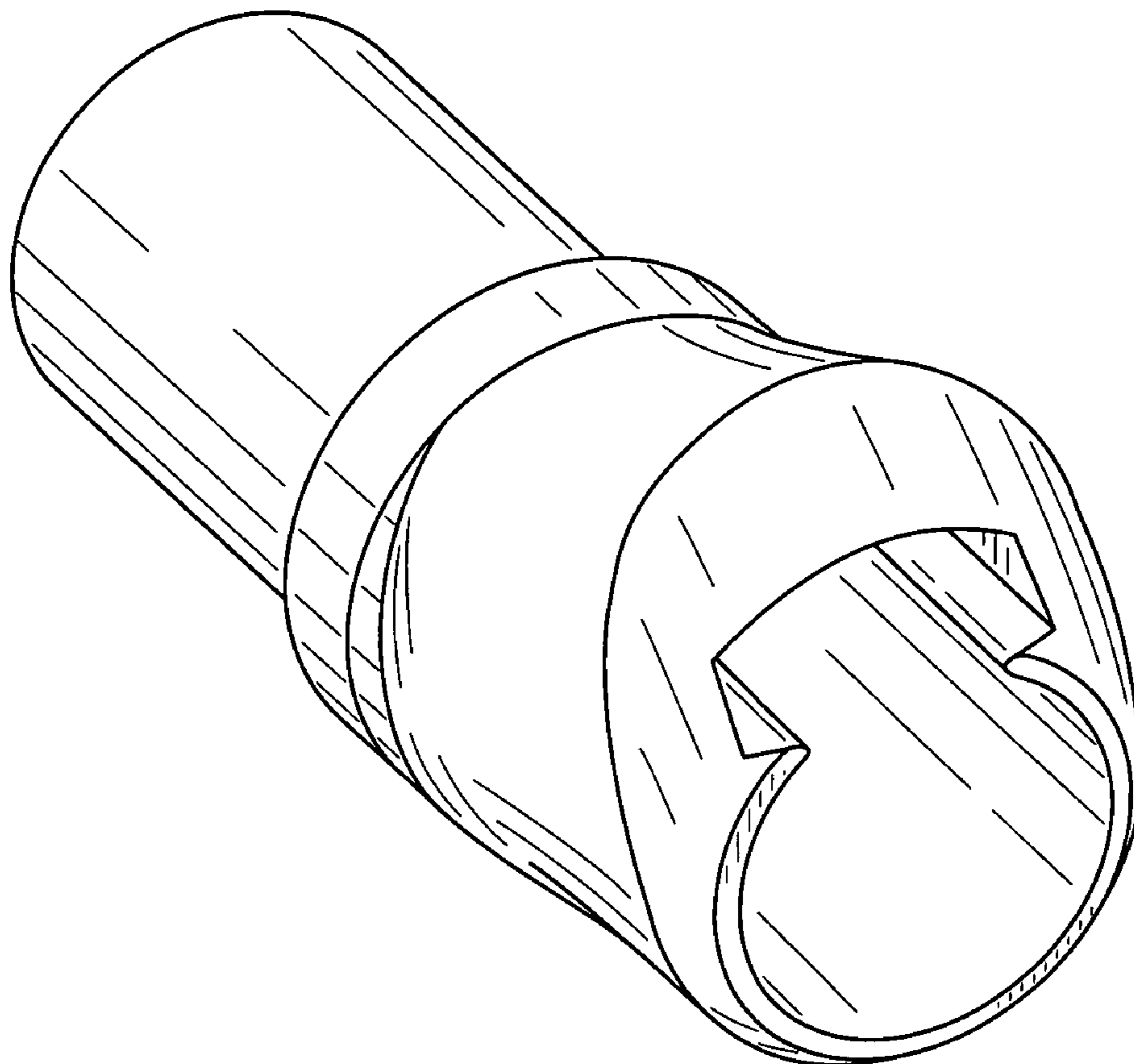
(57) **CLAIM**

The ornamental design for a reel seat for use on fishing rod, as shown and described.

DESCRIPTION

FIG. 1 is a perspective view of a reel seat for use on fishing rod embodying my new design;
FIG. 2 is a front view thereof;
FIG. 3 is a top plan view thereof;
FIG. 4 is a bottom view thereof;
FIG. 5 is a left side view thereof;
FIG. 6 is a right side view thereof;
FIG. 7 is a sectional view along 7—7 thereof; and,
FIG. 8 is a referential view showing use state thereof.
The broken line showing of environment in the drawings is included for the purpose of illustrating only and forms no part of the claimed design.

1 Claim, 4 Drawing Sheets



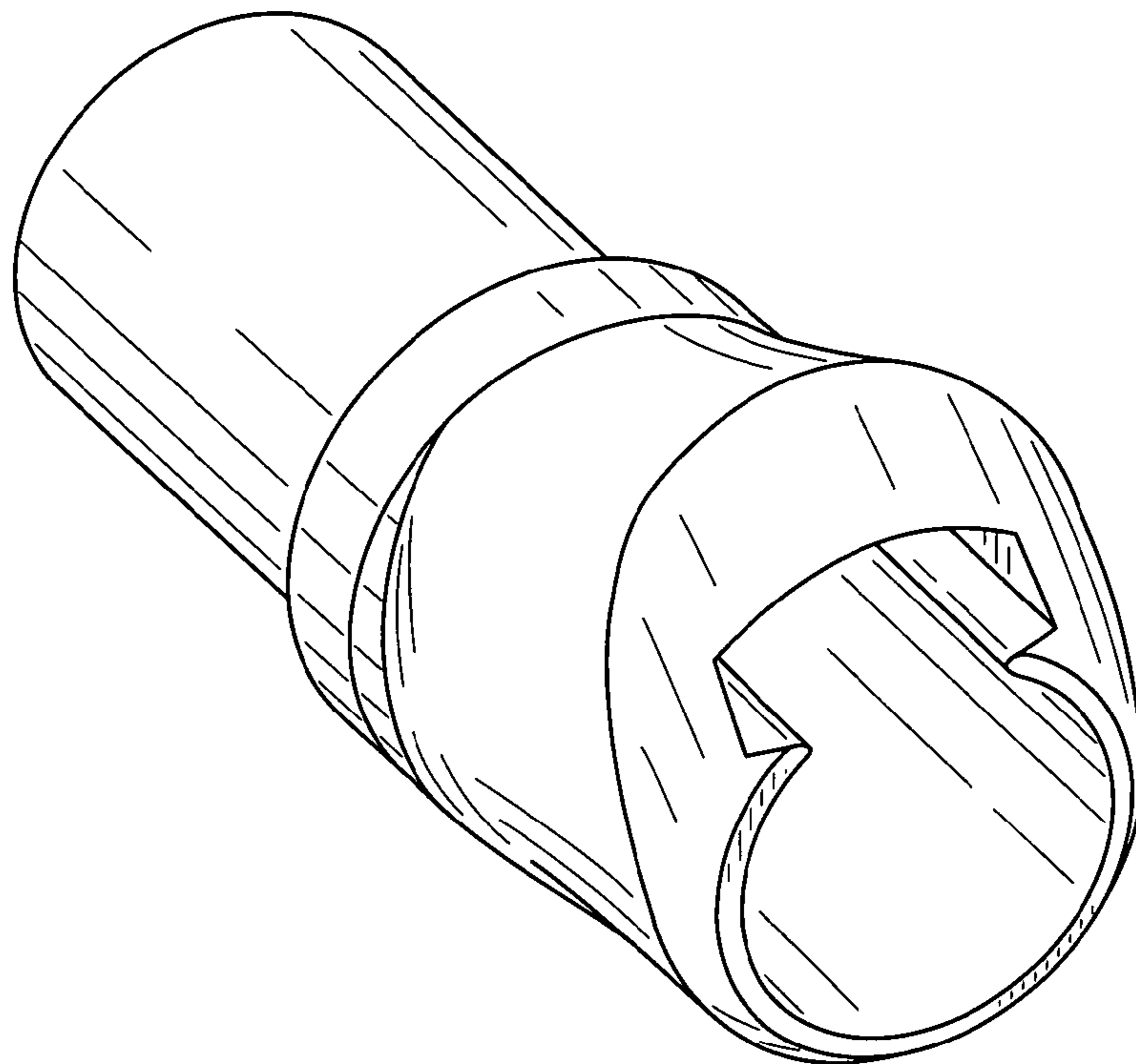


FIG. 1

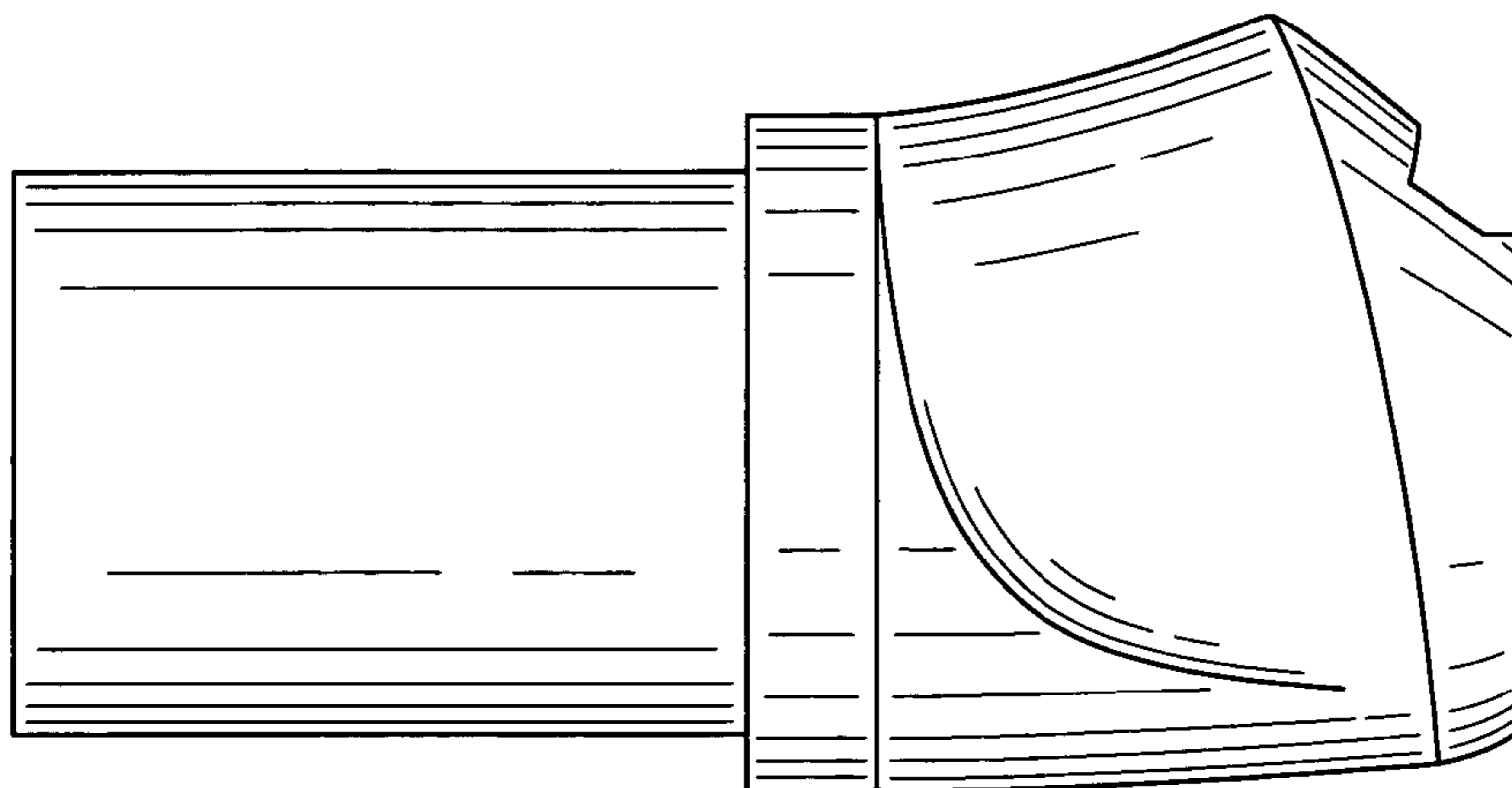


FIG. 2

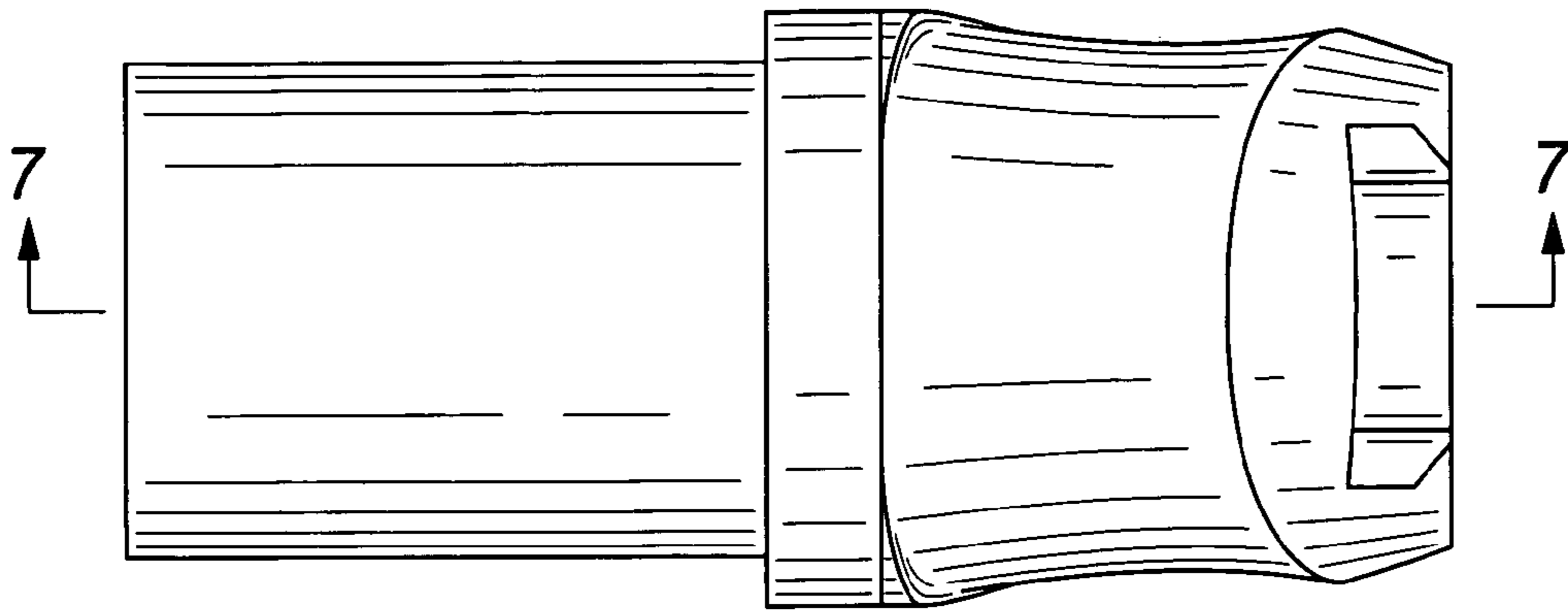


FIG. 3

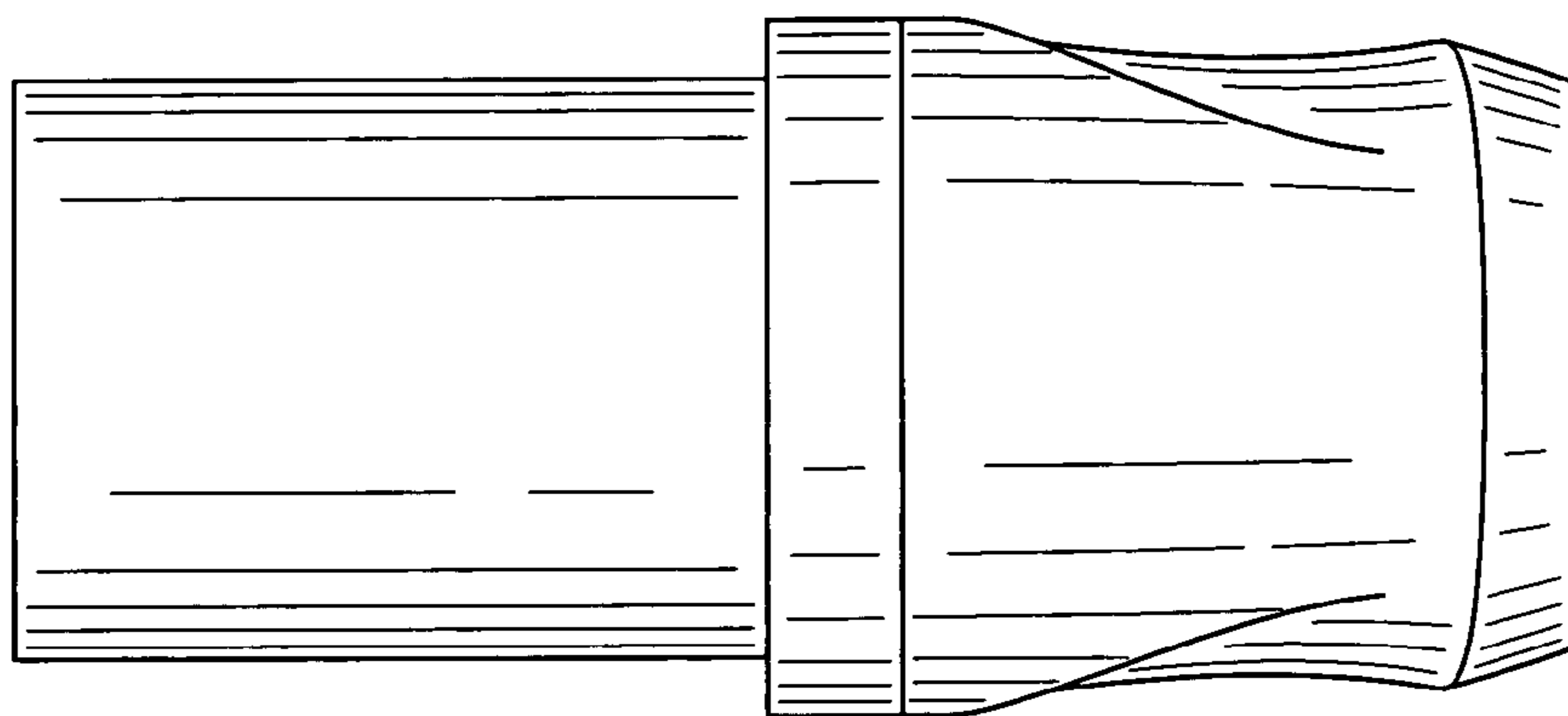


FIG. 4

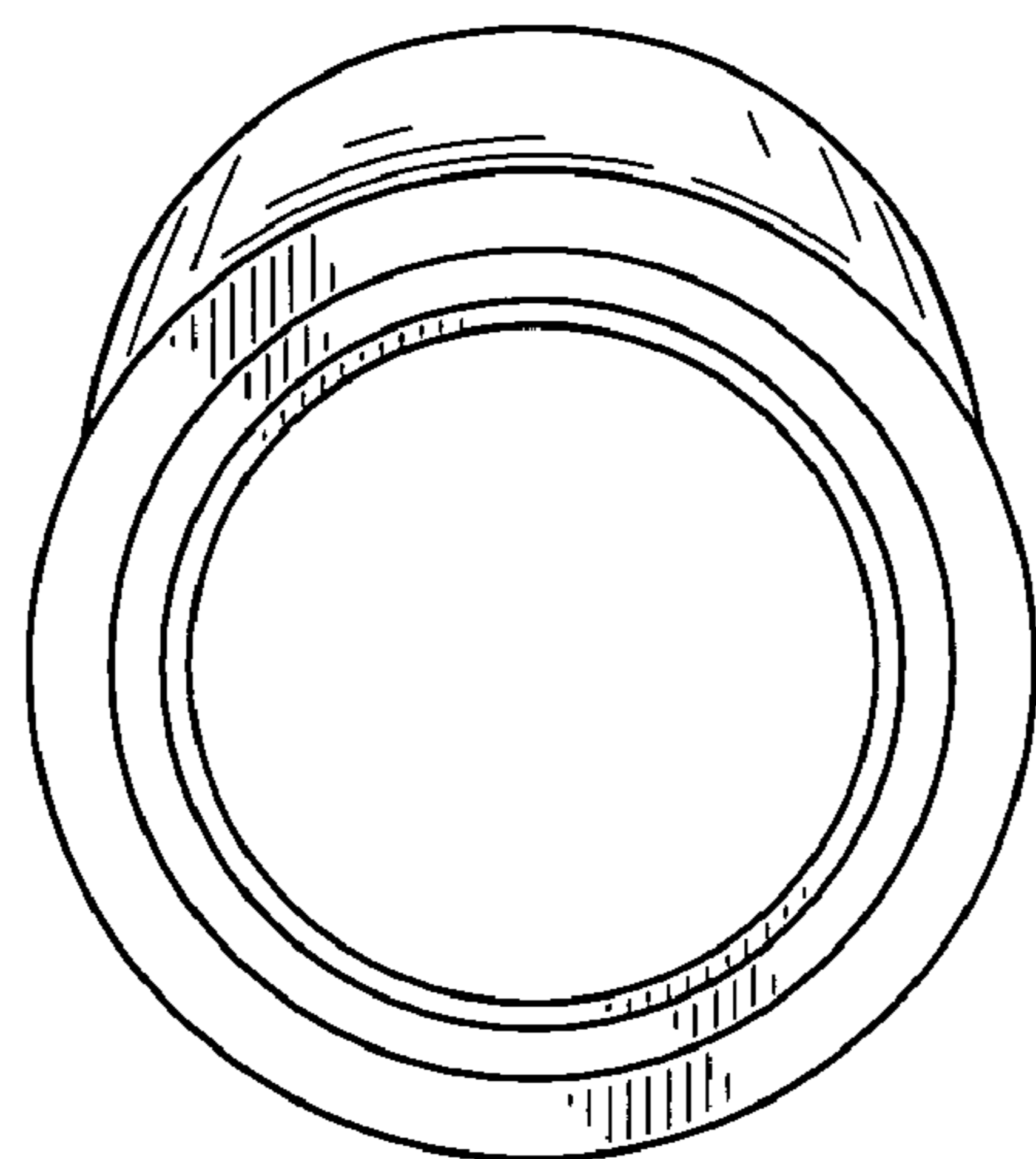


FIG. 5

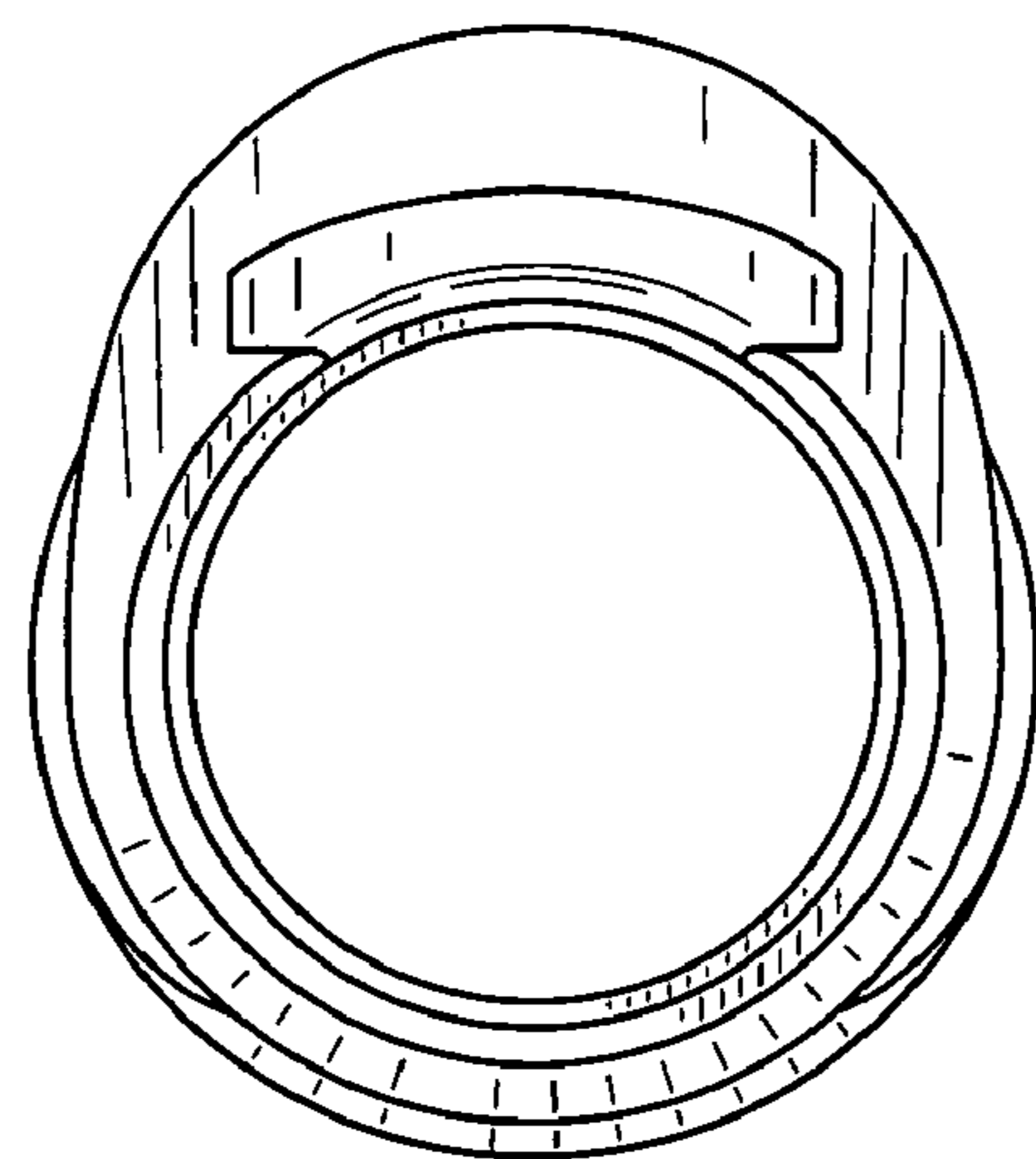


FIG. 6

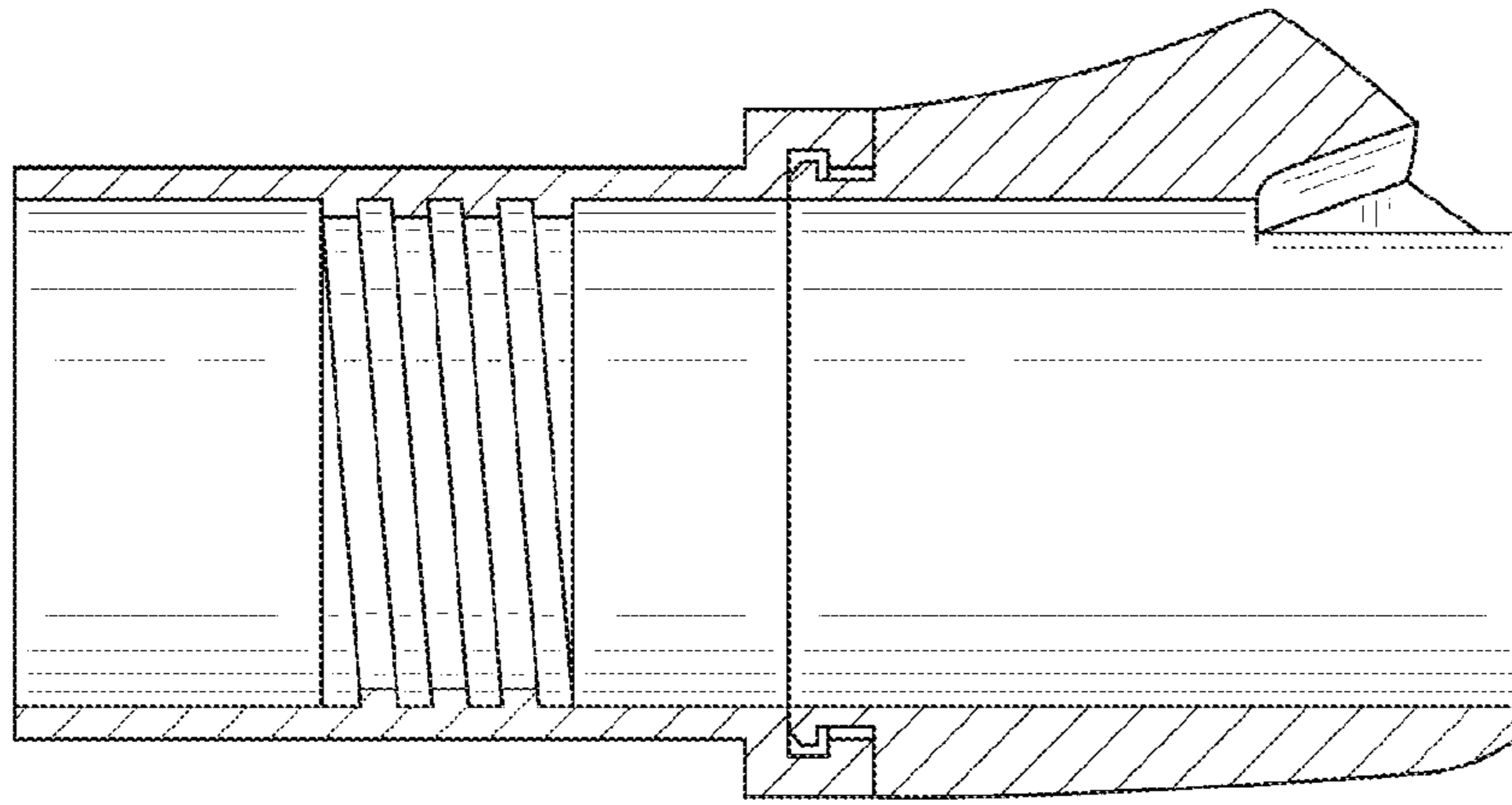


FIG. 7

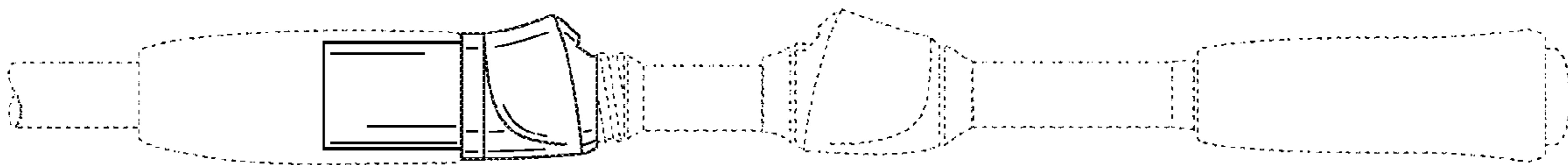


FIG. 8