



US00D634387S

(12) **United States Design Patent**
Grzyb et al.

(10) **Patent No.:** **US D634,387 S**

(45) **Date of Patent:** **** Mar. 15, 2011**

(54) **CONTROLLER**

(75) Inventors: **Krzysztof Grzyb**, Aurora, IL (US);
John Hayden, Aurora, IL (US)

(73) Assignee: **Control Solutions LLC**, Aurora, IL
(US)

(**) Term: **14 Years**

(21) Appl. No.: **29/337,427**

(22) Filed: **May 21, 2009**

(51) **LOC (9) Cl.** **22-01**

(52) **U.S. Cl.** **D22/108**

(58) **Field of Classification Search** D22/108,
D22/199; D8/349, 353, 354, 356, 373, 382,
D8/394, 395; D21/324, 332, 333; D14/192,
D14/205, 217, 218, 356, 388, 399-401, 412-416,
D14/417, 432, 434, 454-457, 496; 463/1,
463/30, 36-38, 46, 47; 345/156-161, 905

See application file for complete search history.

(56) **References Cited**

U.S. PATENT DOCUMENTS

2,233,918	A	3/1941	Fey	
2,247,842	A	7/1941	Kamenarovic	
2,434,653	A	1/1948	Holschuh et al.	
2,509,446	A	5/1950	Oplinger et al.	
2,586,817	A	2/1952	Hanis, Jr.	
2,703,039	A	3/1955	White	
2,968,997	A	1/1961	Newton, Jr., et al.	
3,677,134	A	7/1972	Maximi et al.	
4,361,071	A	11/1982	Carlson et al.	
4,576,085	A	3/1986	LeBlanc	
5,353,680	A	10/1994	Tiomkin et al.	
7,030,579	B1	4/2006	Schmitz et al.	
D521,015	S *	5/2006	Hayes et al.	D14/454
D560,723	S *	1/2008	Cerovic et al.	D21/324
2008/0034954	A1	2/2008	Grober	

* cited by examiner

Primary Examiner — T. Chase Nelson

Assistant Examiner — Michael A Pratt

(74) *Attorney, Agent, or Firm* — Wildman, Harrold, Allen & Dixon LLP

(57) **CLAIM**

The ornamental design for a controller, as shown and described.

DESCRIPTION

FIG. 1 is an environmental side view of a controller;
 FIG. 2 is a top plan view thereof;
 FIG. 3 is an elevated side view thereof;
 FIG. 4 is an elevated rear view thereof;
 FIG. 5 is an elevated front view thereof;
 FIG. 6 is an elevated side view thereof;
 FIG. 7 is a bottom view thereof;
 FIG. 8 is a front perspective view thereof;
 FIG. 9 is a front perspective view thereof;
 FIG. 10 is a rear perspective view thereof;
 FIG. 11 is an environmental rear perspective view of another embodiment thereof;
 FIG. 12 is an environmental elevated side view thereof;
 FIG. 13 is an environmental exploded side view thereof;
 FIG. 14 is a top plan view thereof;
 FIG. 15 is an elevated side view thereof;
 FIG. 16 is an elevated rear view thereof;
 FIG. 17 is an elevated front view thereof;
 FIG. 18 is an elevated side view thereof;
 FIG. 19 is a bottom view thereof;
 FIG. 20 is a front perspective view thereof;
 FIG. 21 is a front perspective view thereof; and,
 FIG. 22 is a rear perspective view thereof.

The broken lines shown in the drawings are included for the purpose of illustrating exemplary environment, and form no part of the claimed design.

1 Claim, 9 Drawing Sheets

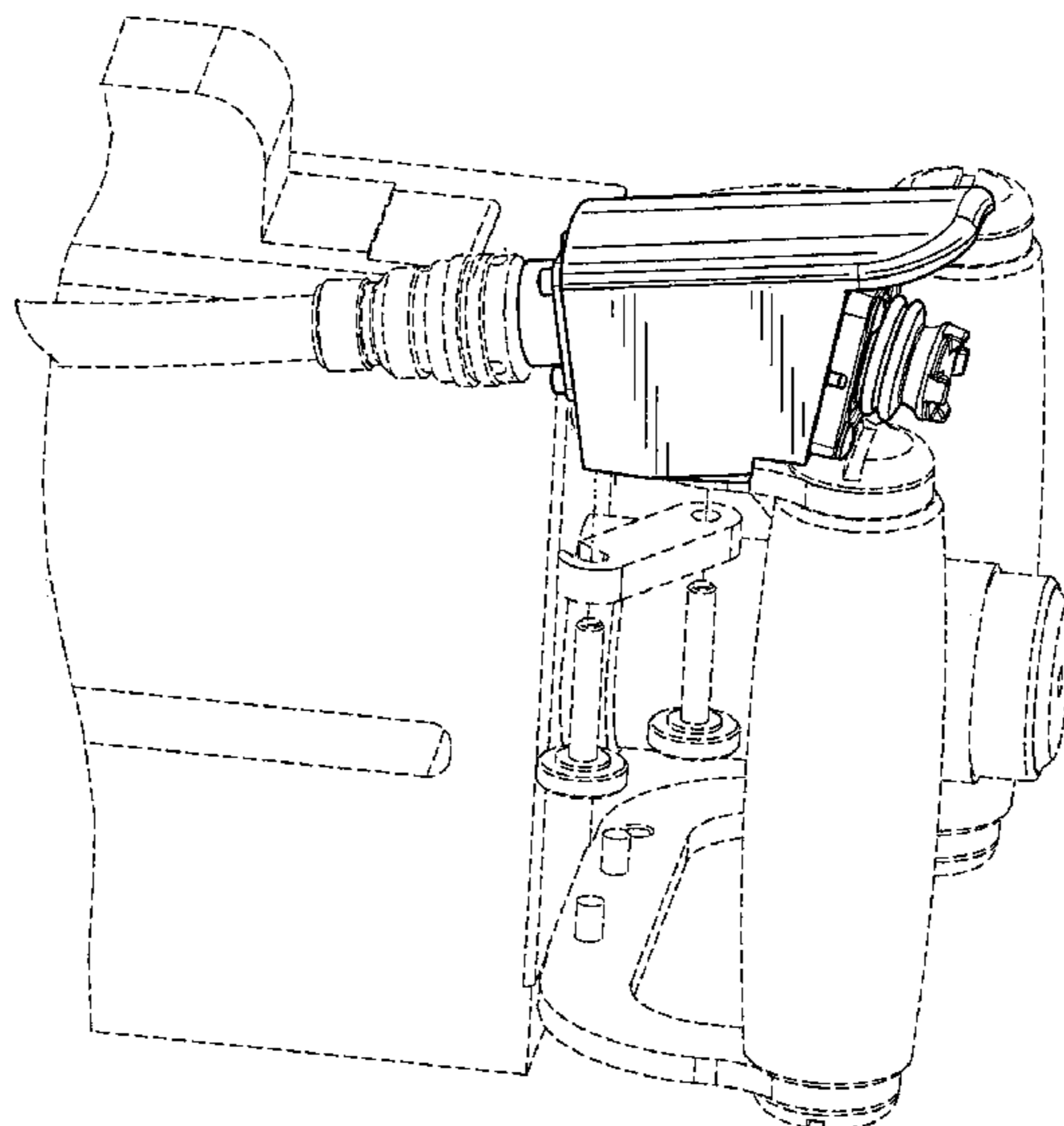


Fig. 1

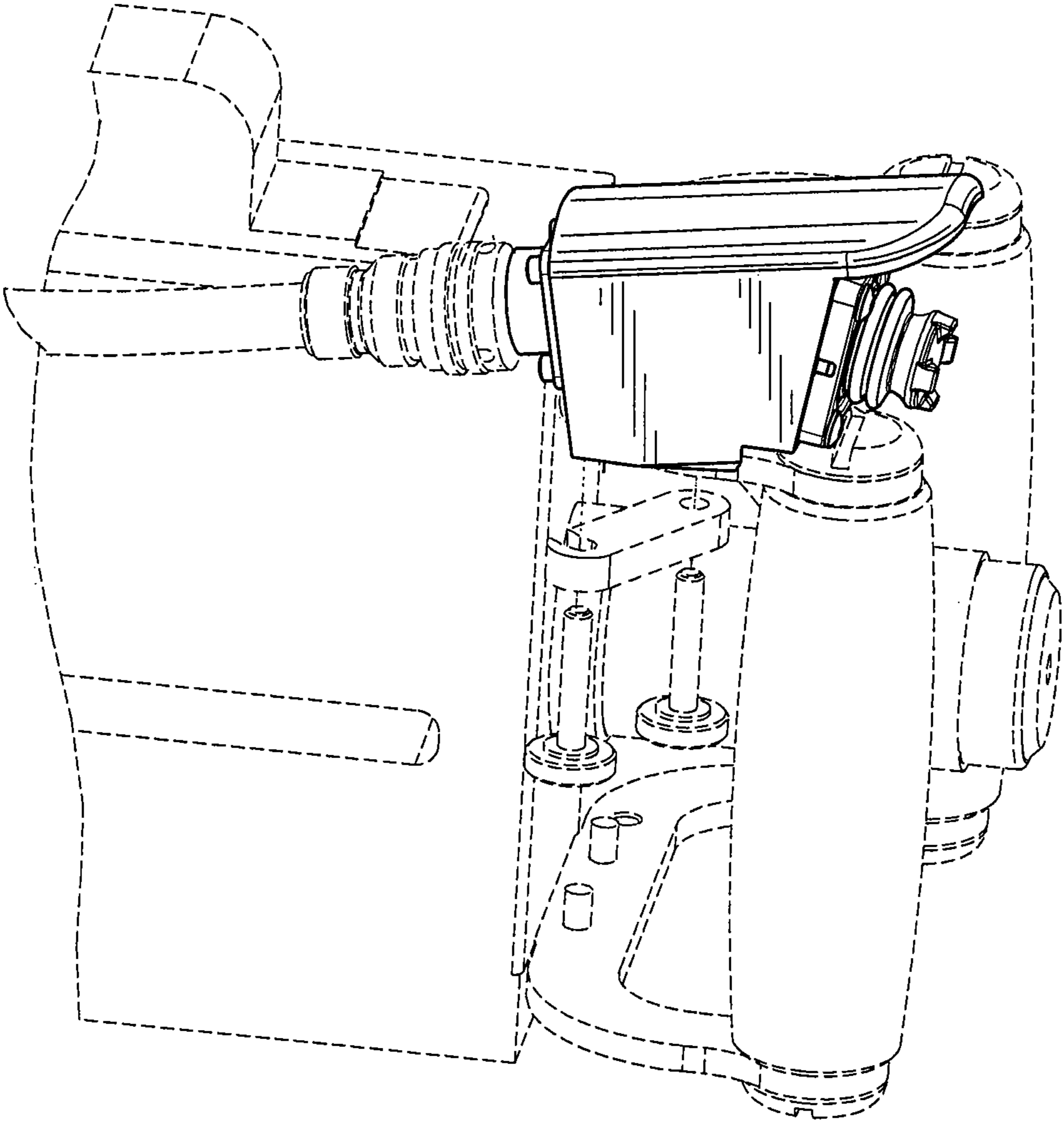


Fig. 2

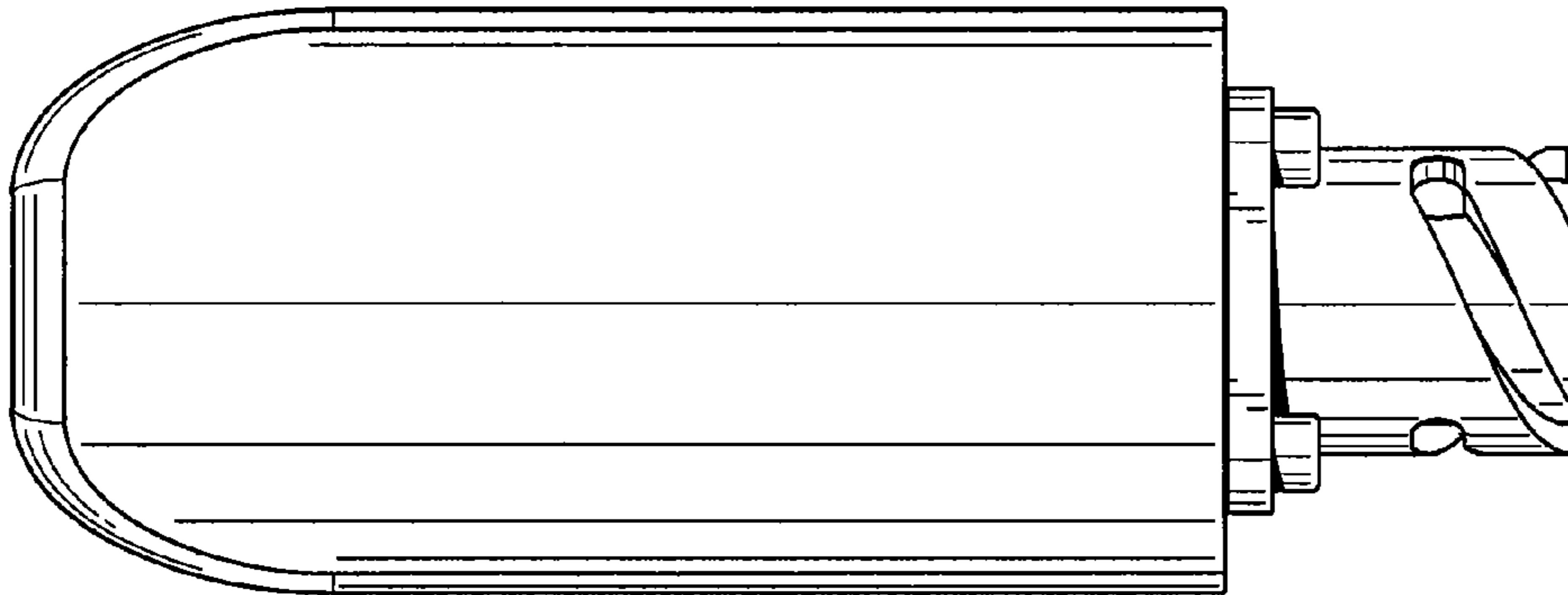


Fig. 3

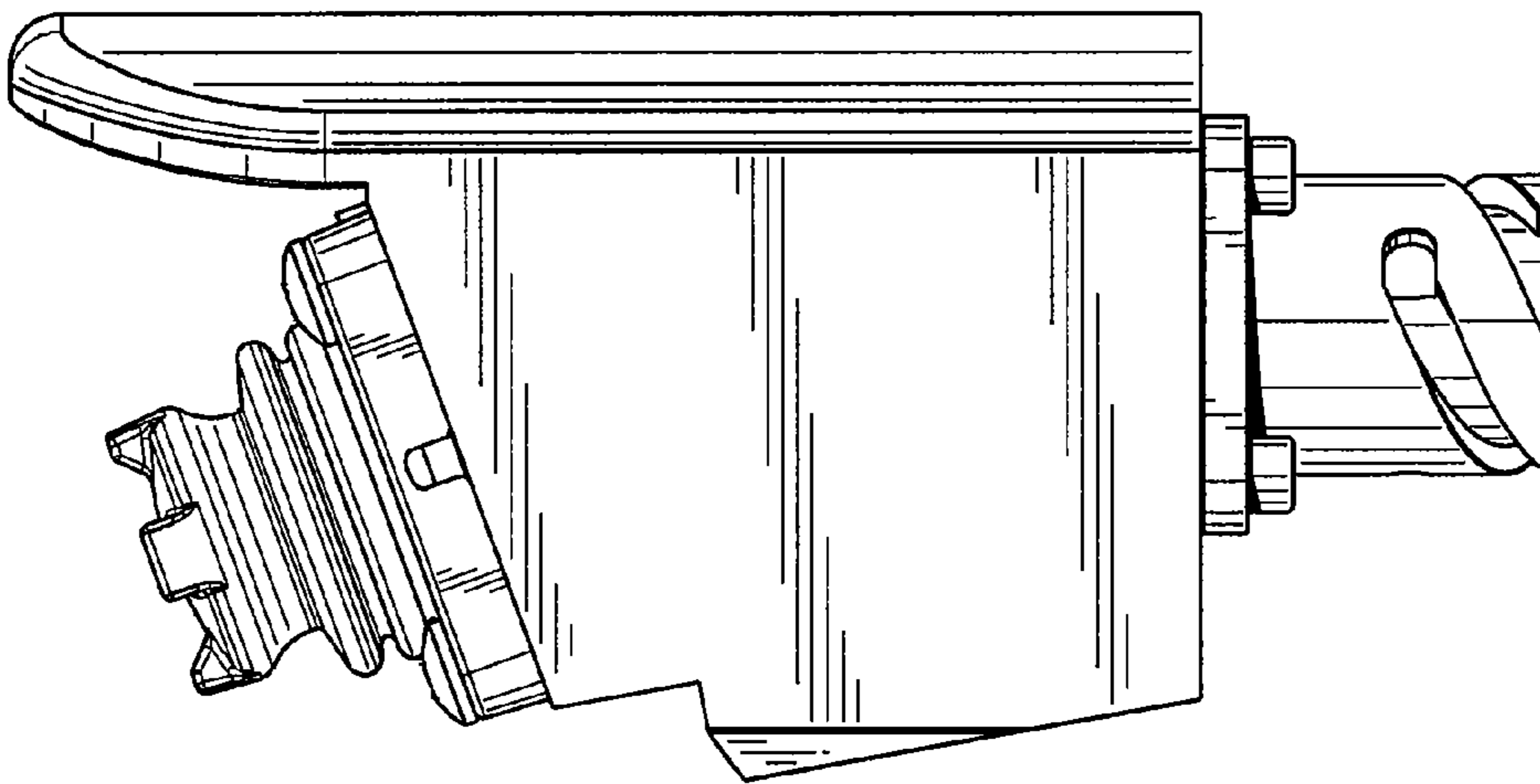


Fig. 4

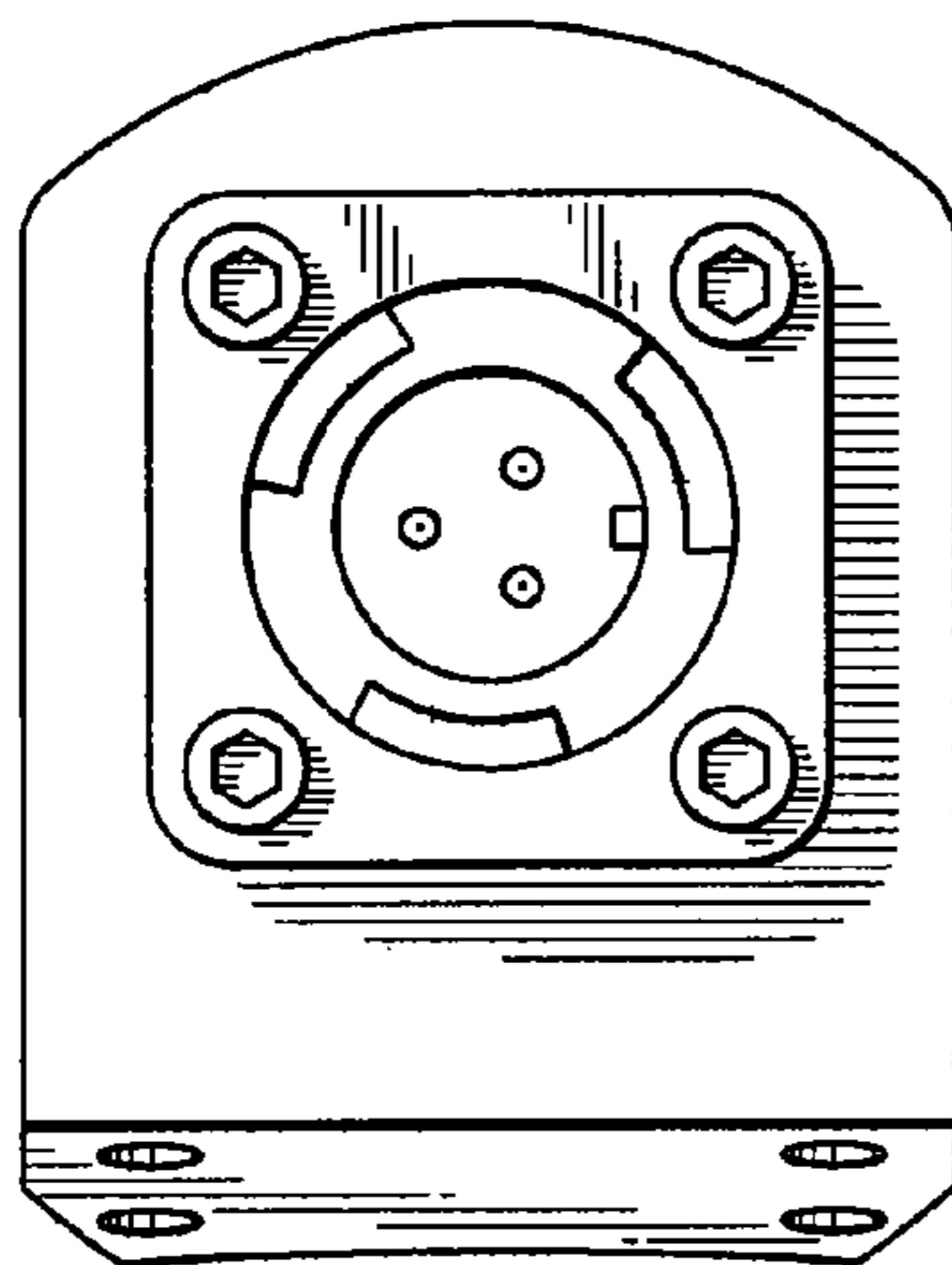


Fig. 5

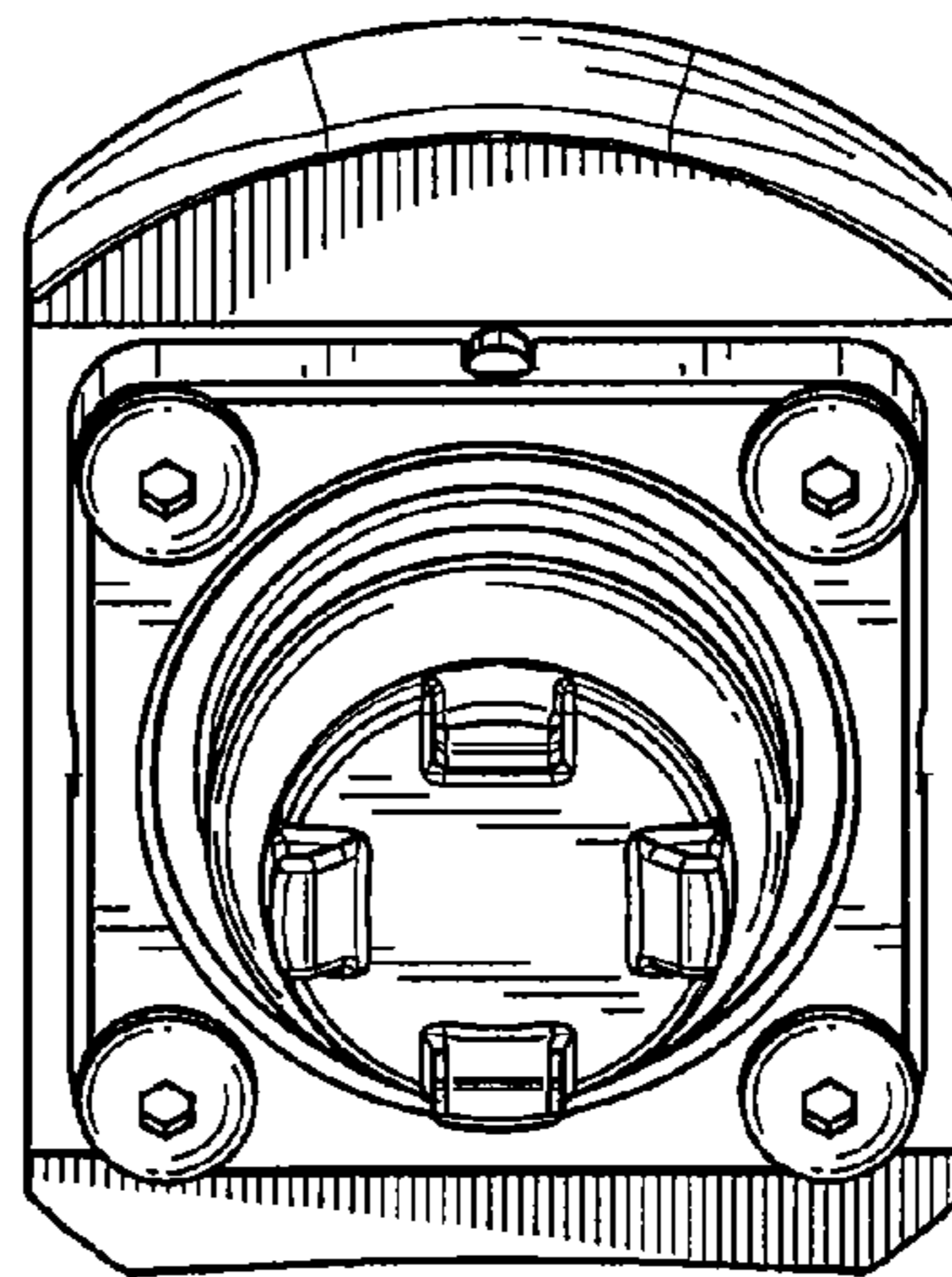


Fig. 6

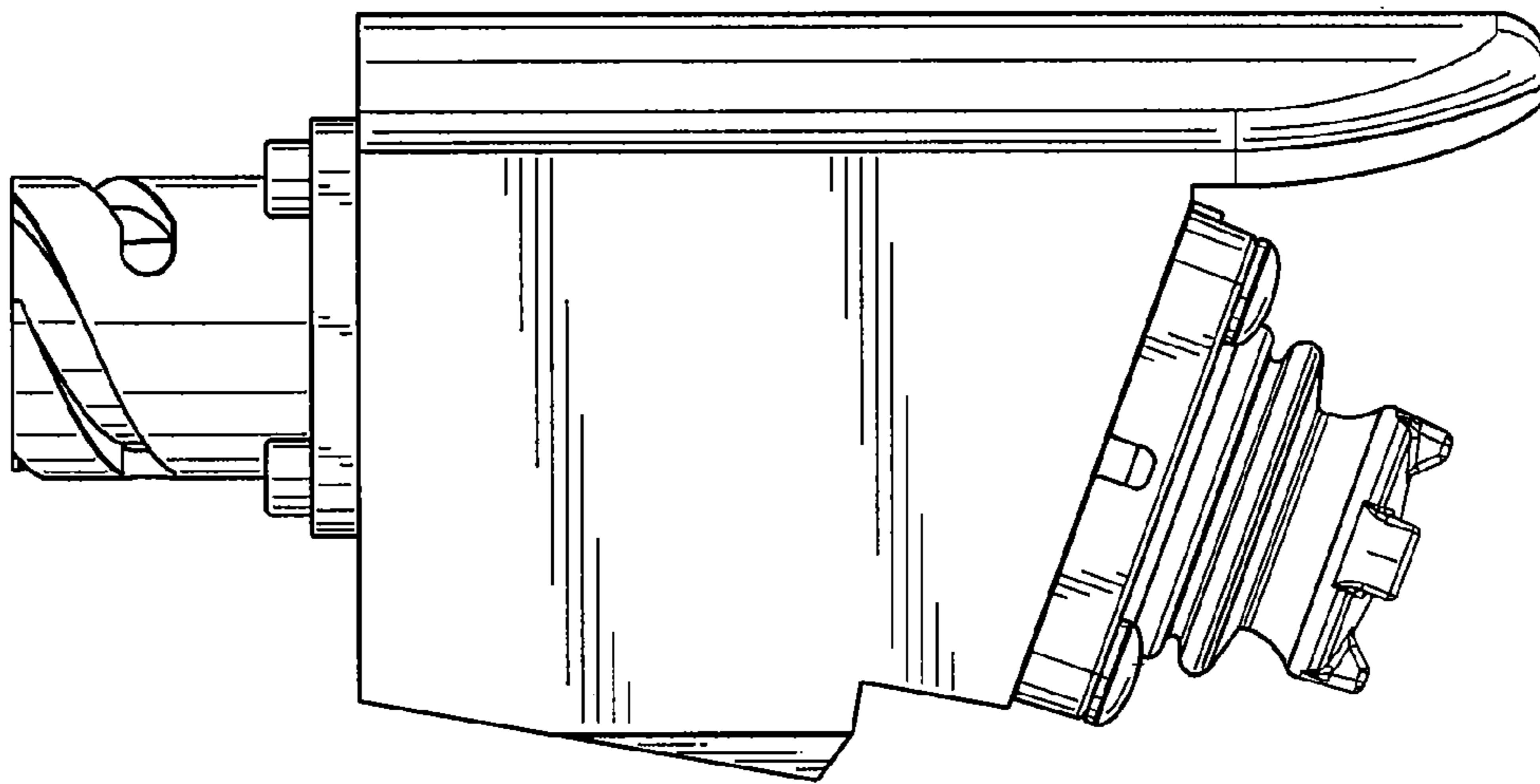


Fig. 7

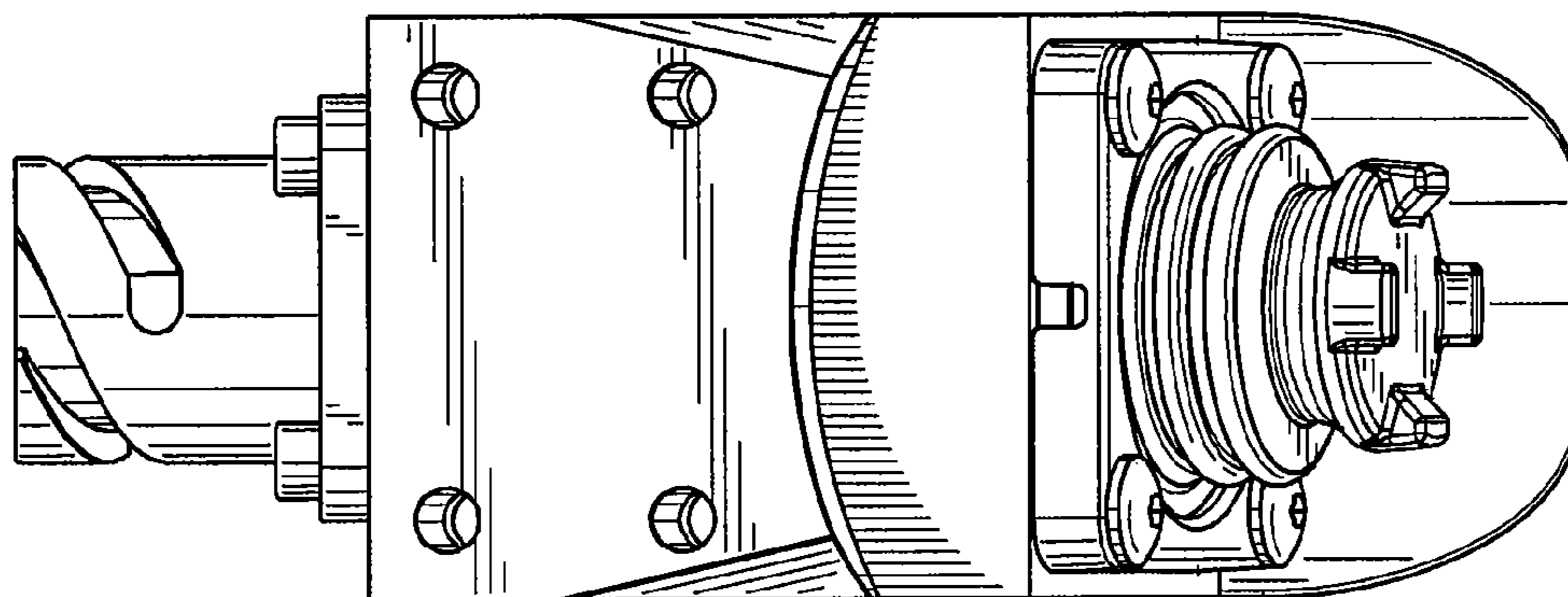


Fig. 8

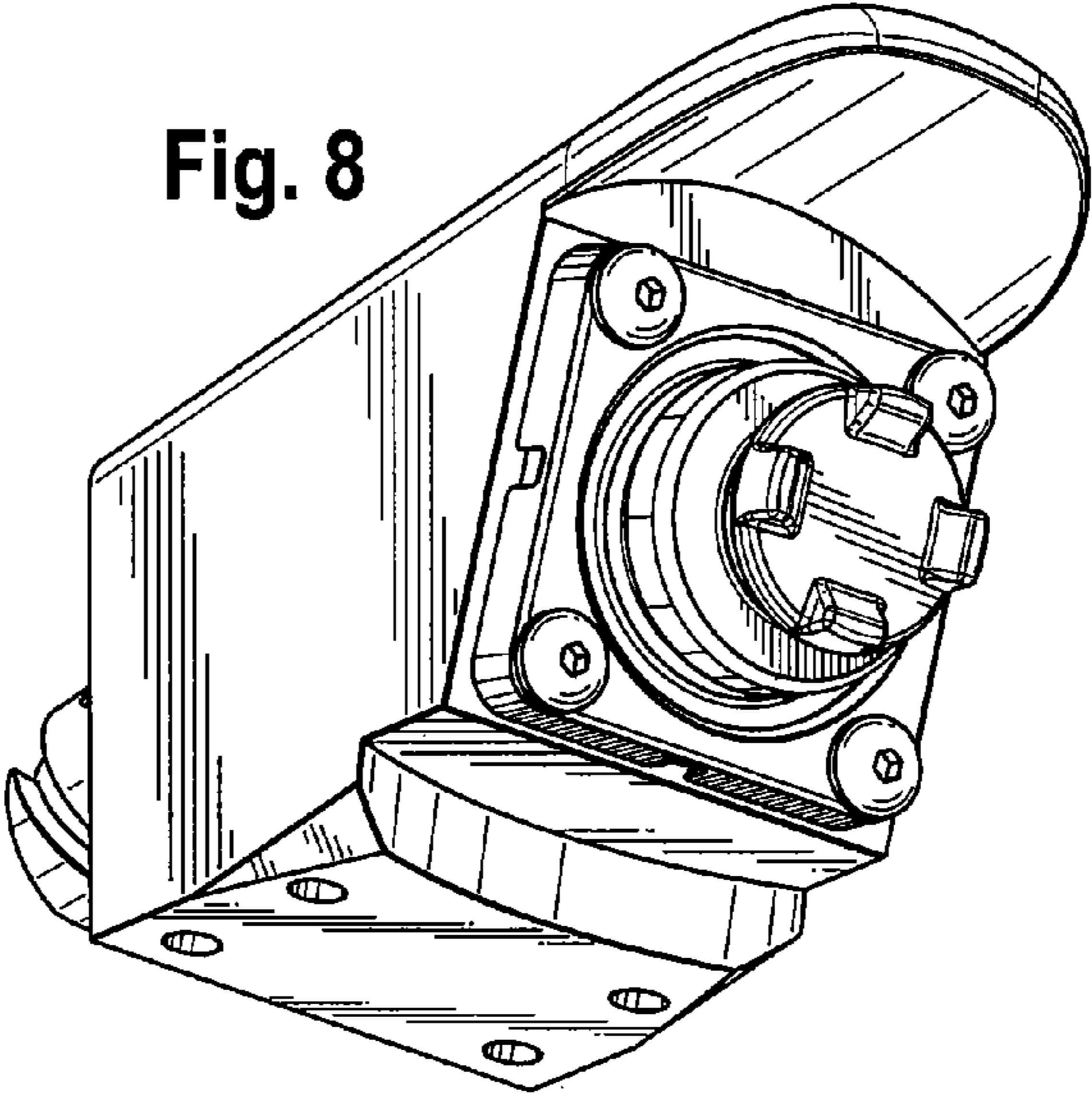


Fig. 9

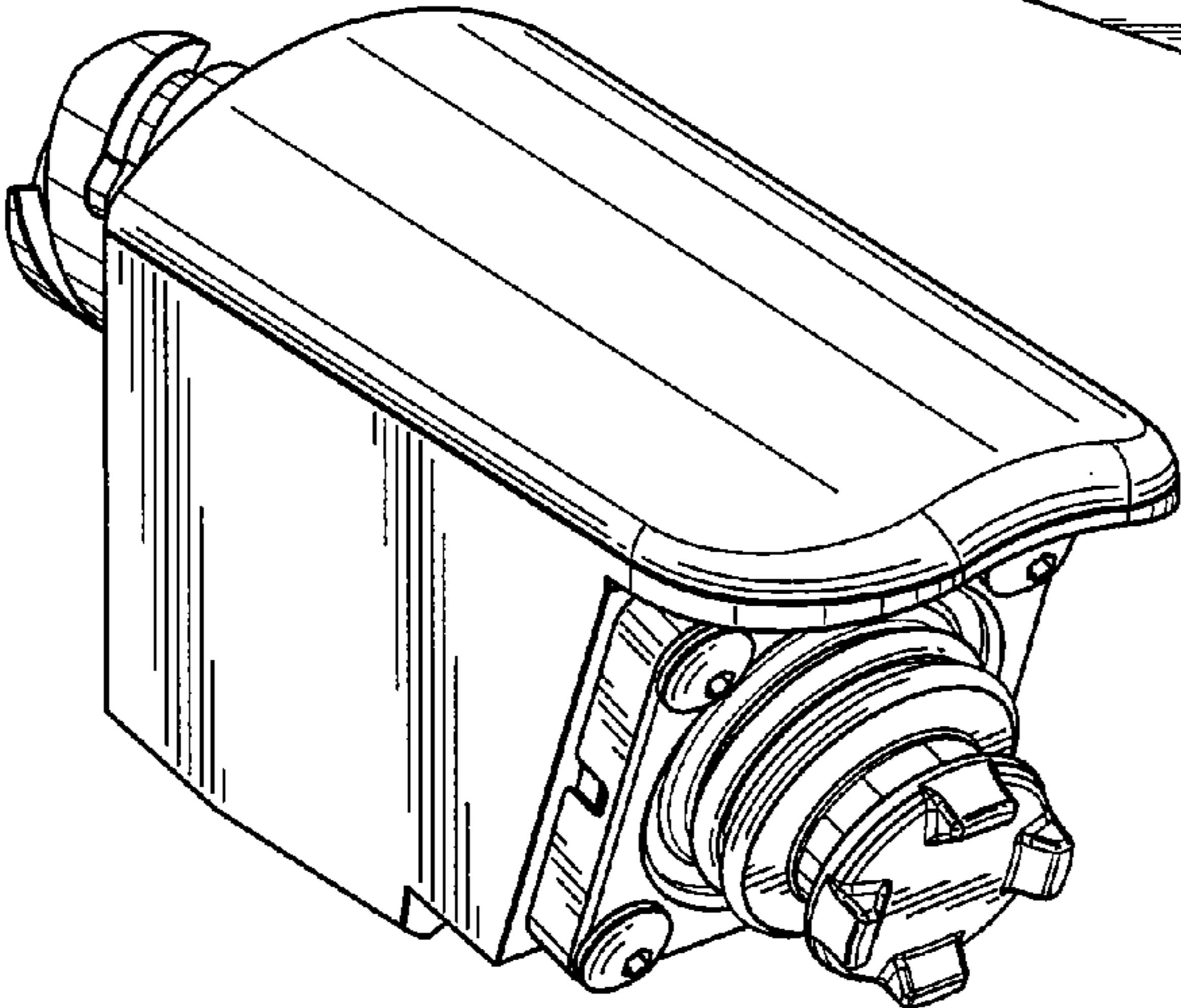
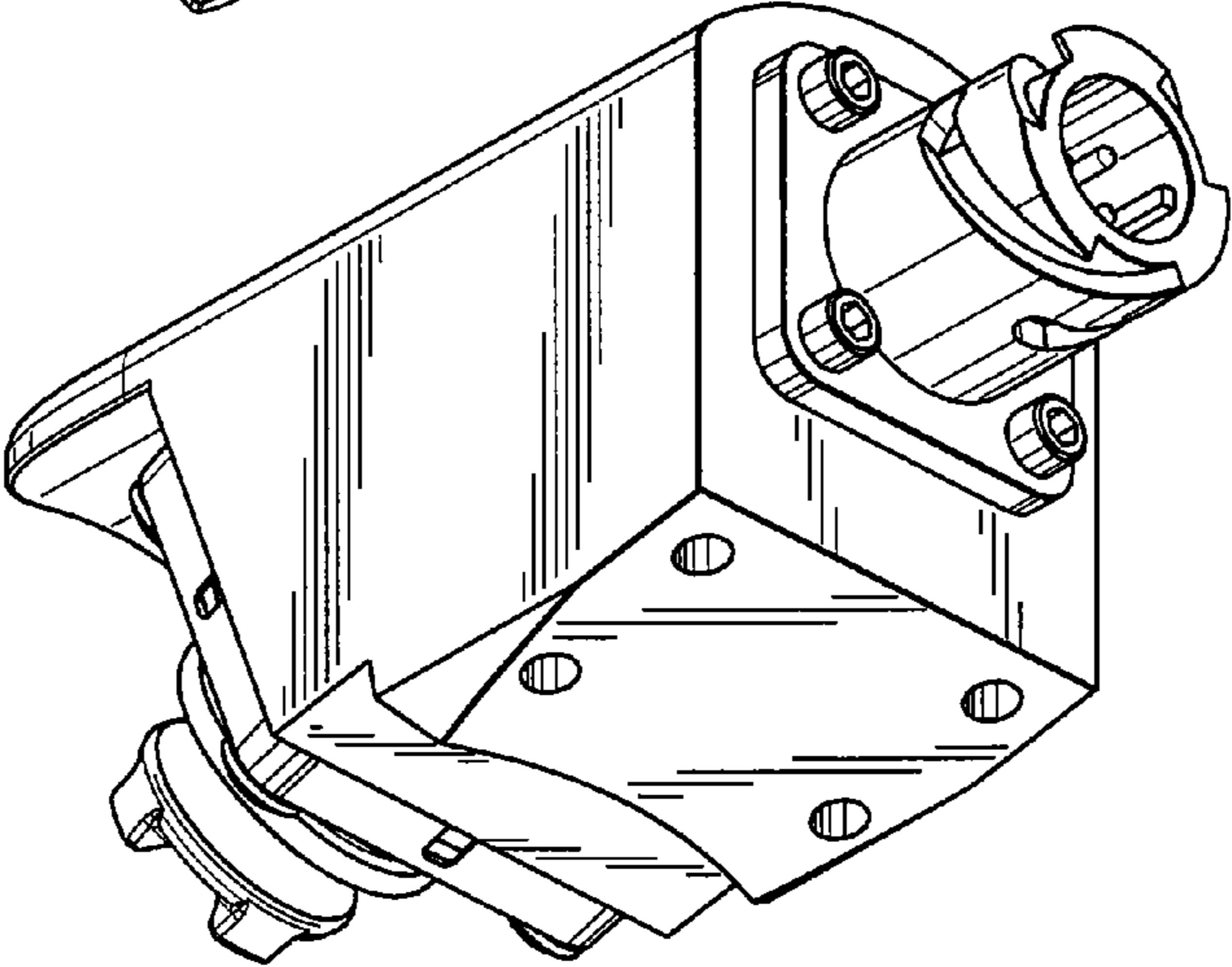


Fig. 10



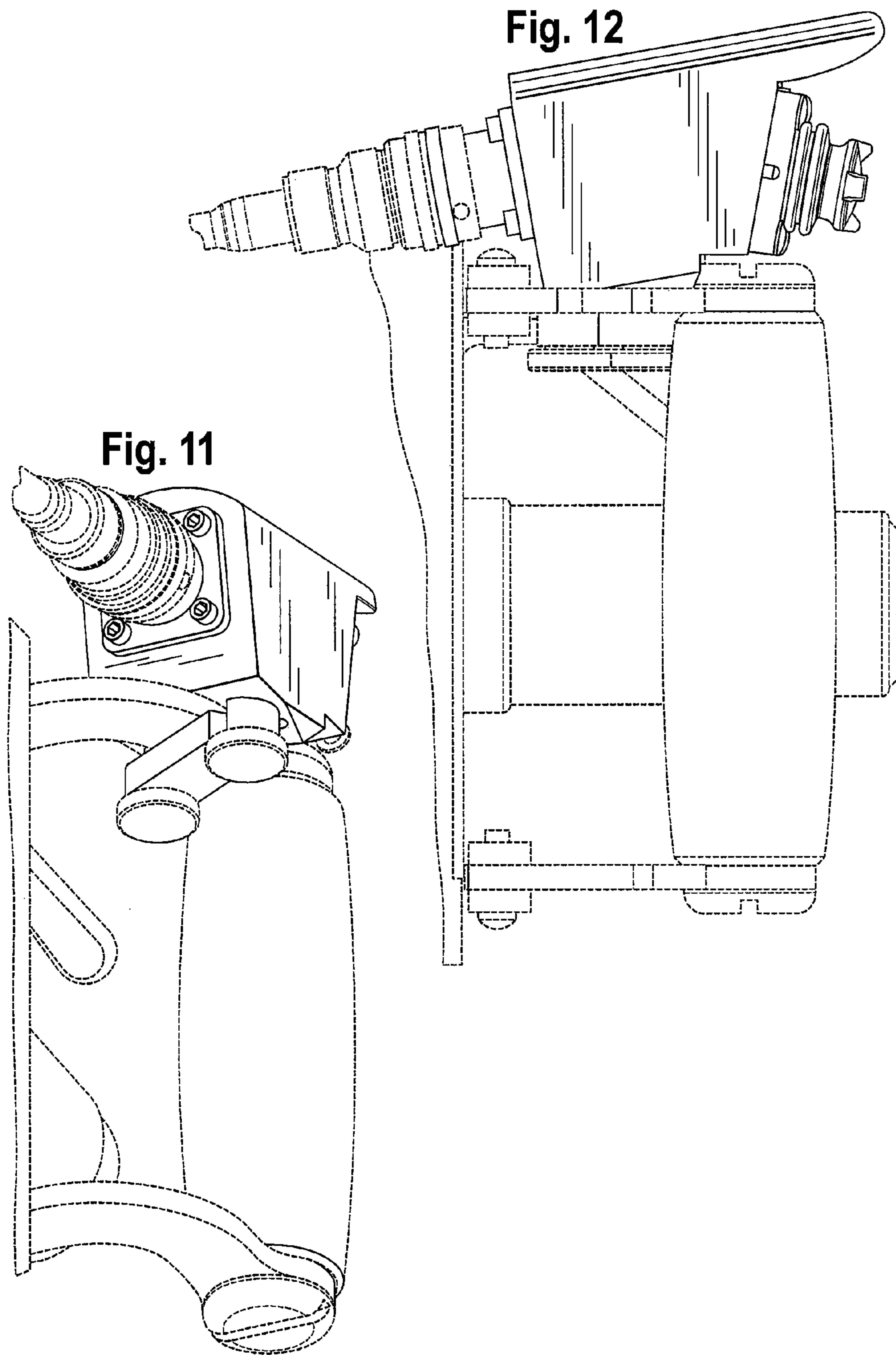


Fig. 13

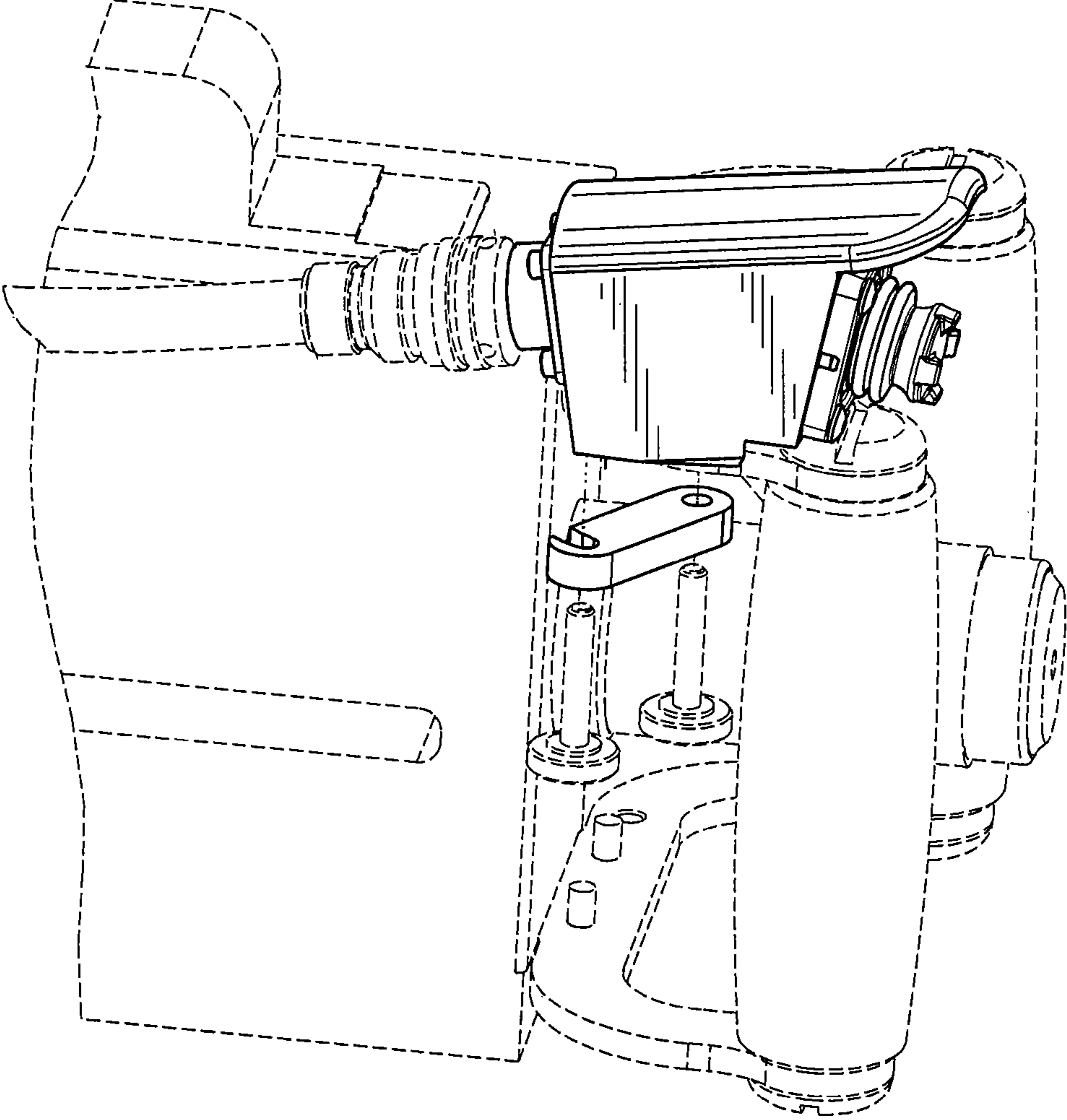


Fig. 14

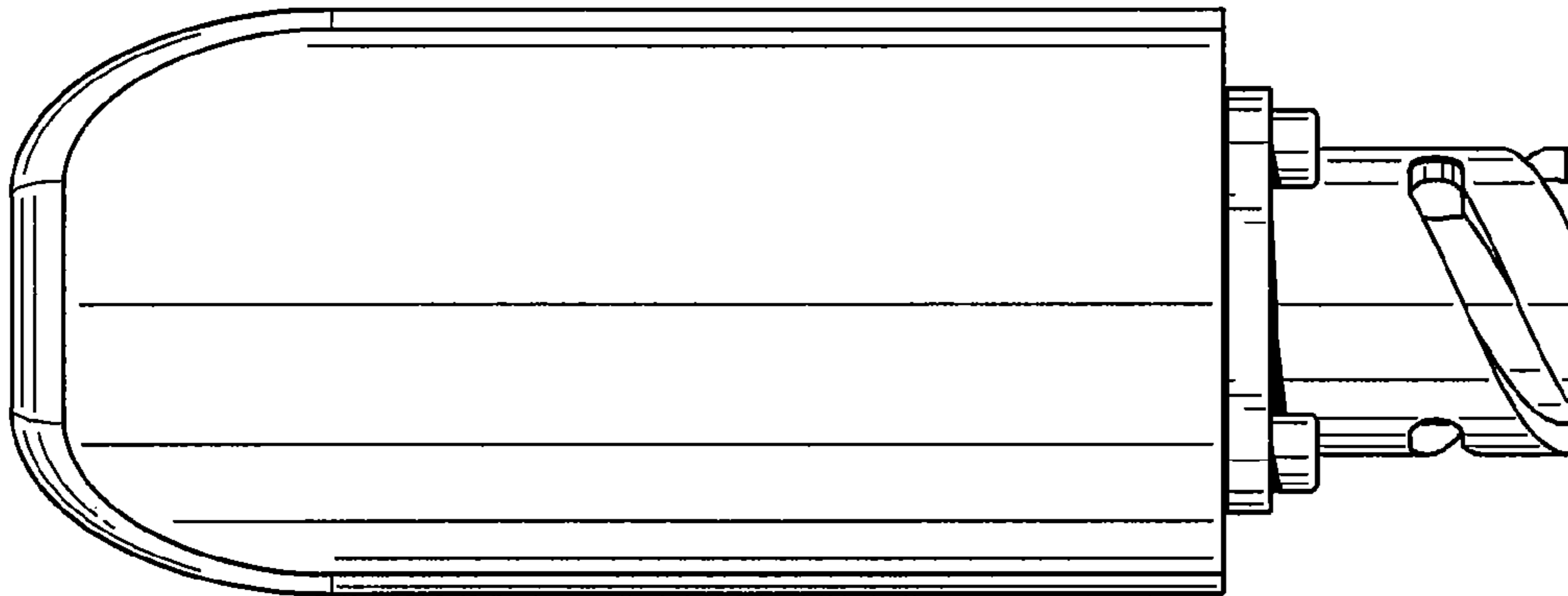


Fig. 15

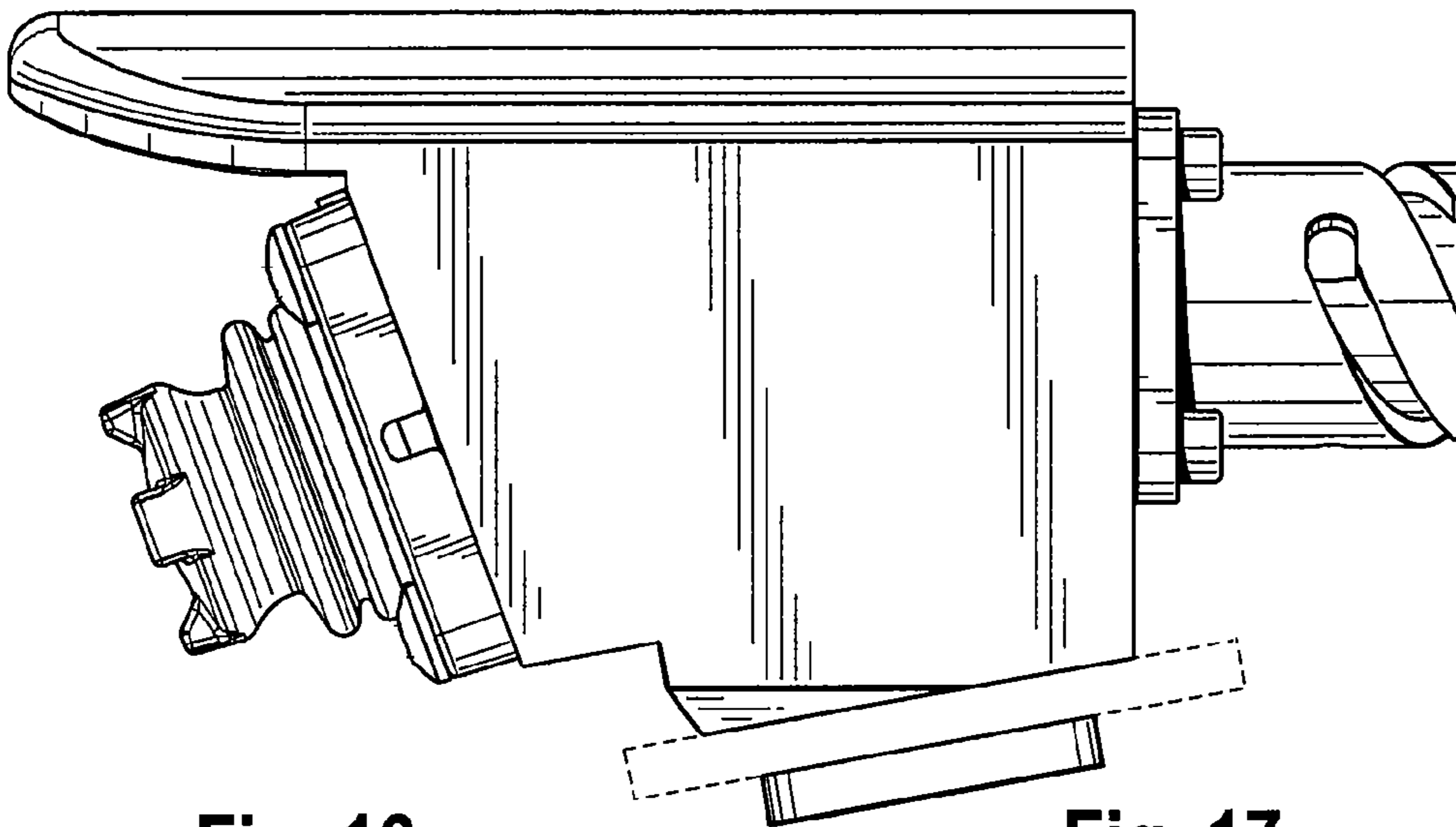


Fig. 16

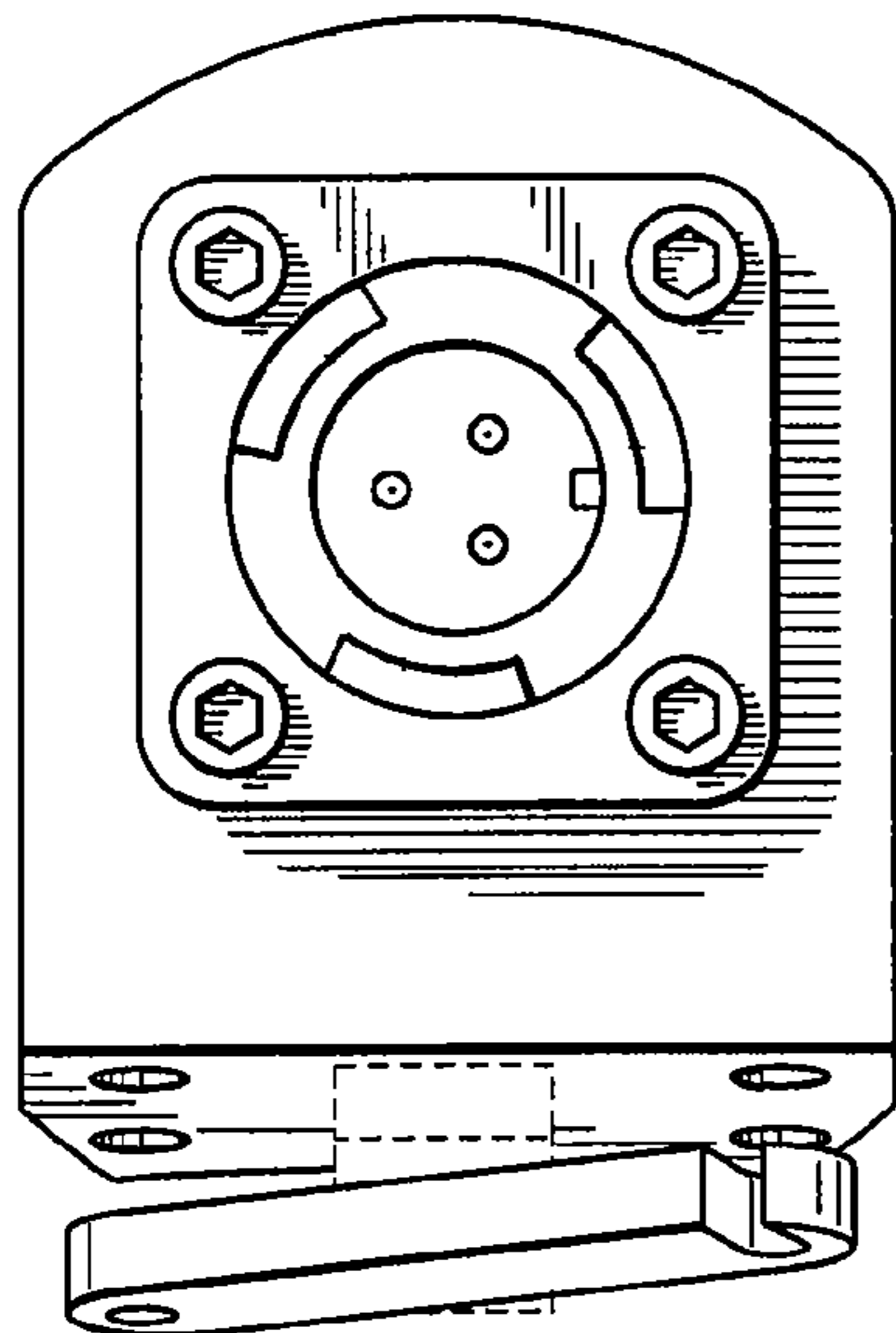


Fig. 17

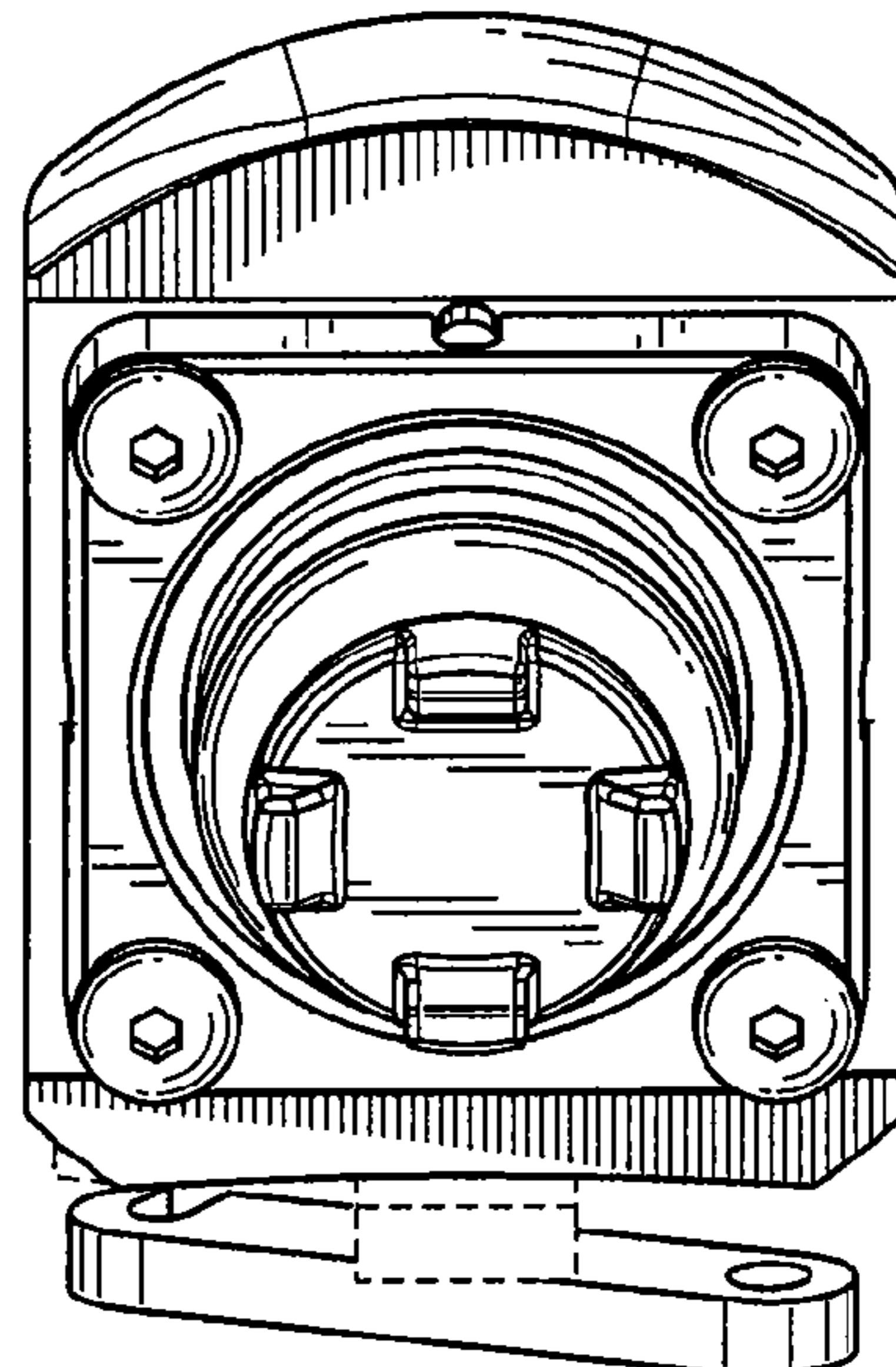


Fig. 18

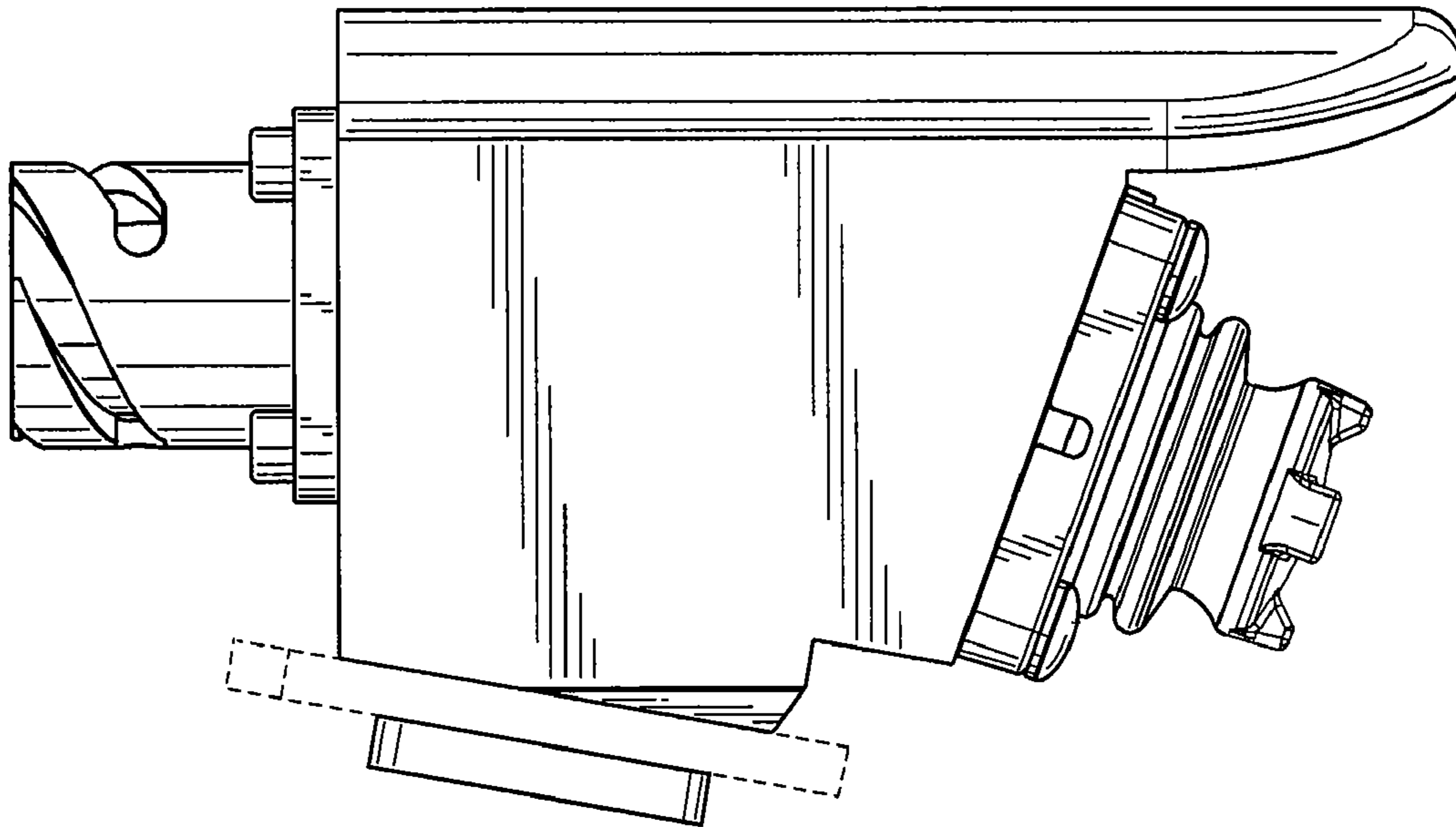


Fig. 19

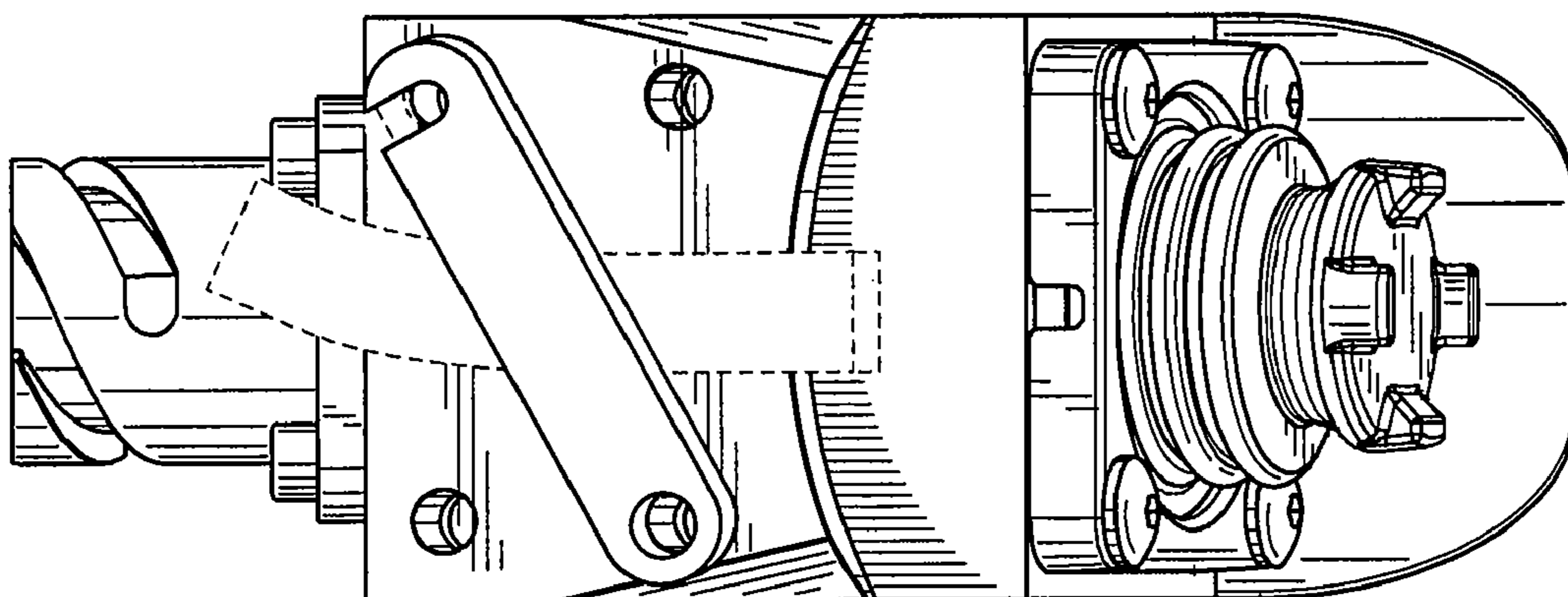


Fig. 20

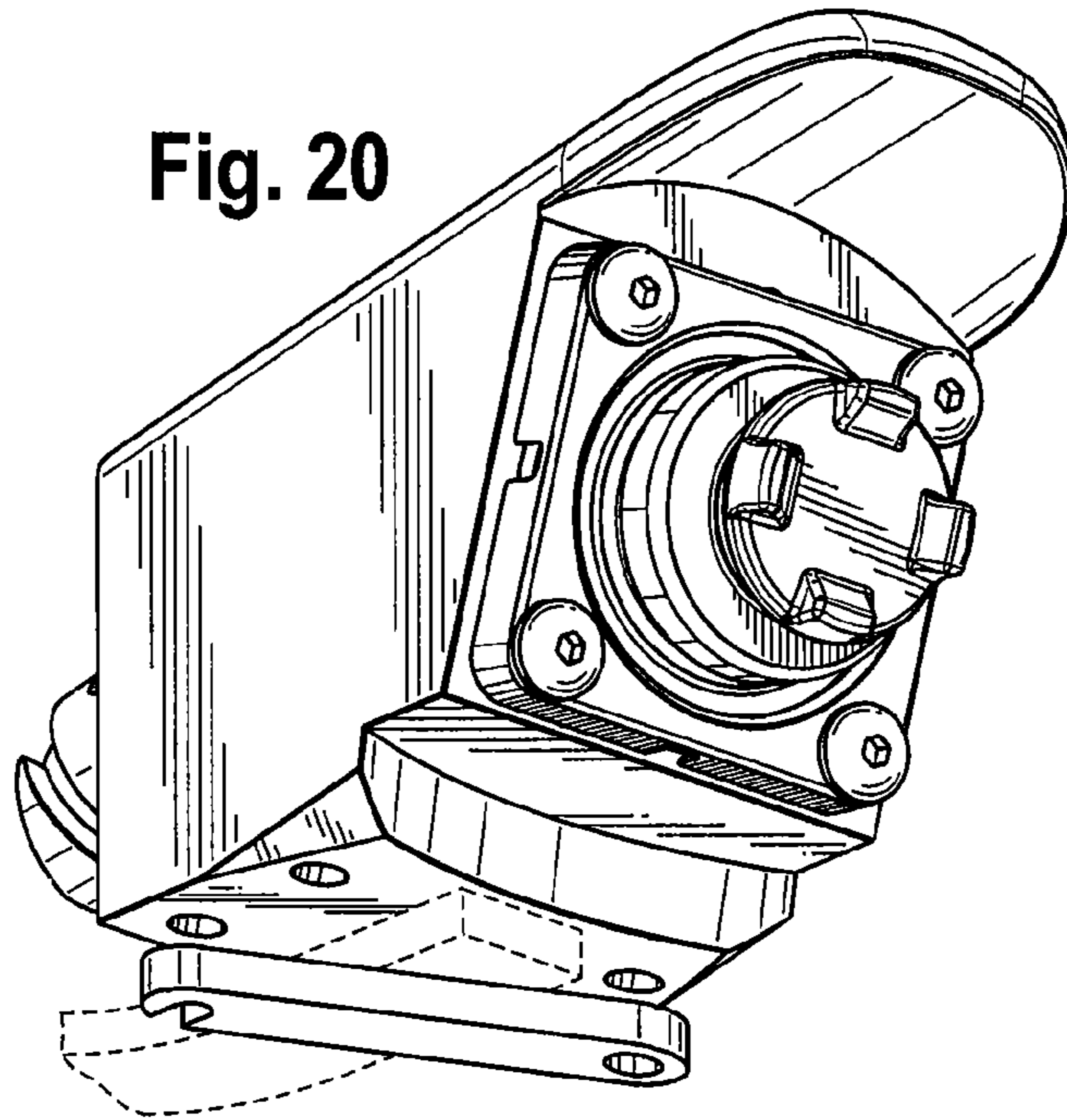


Fig. 21

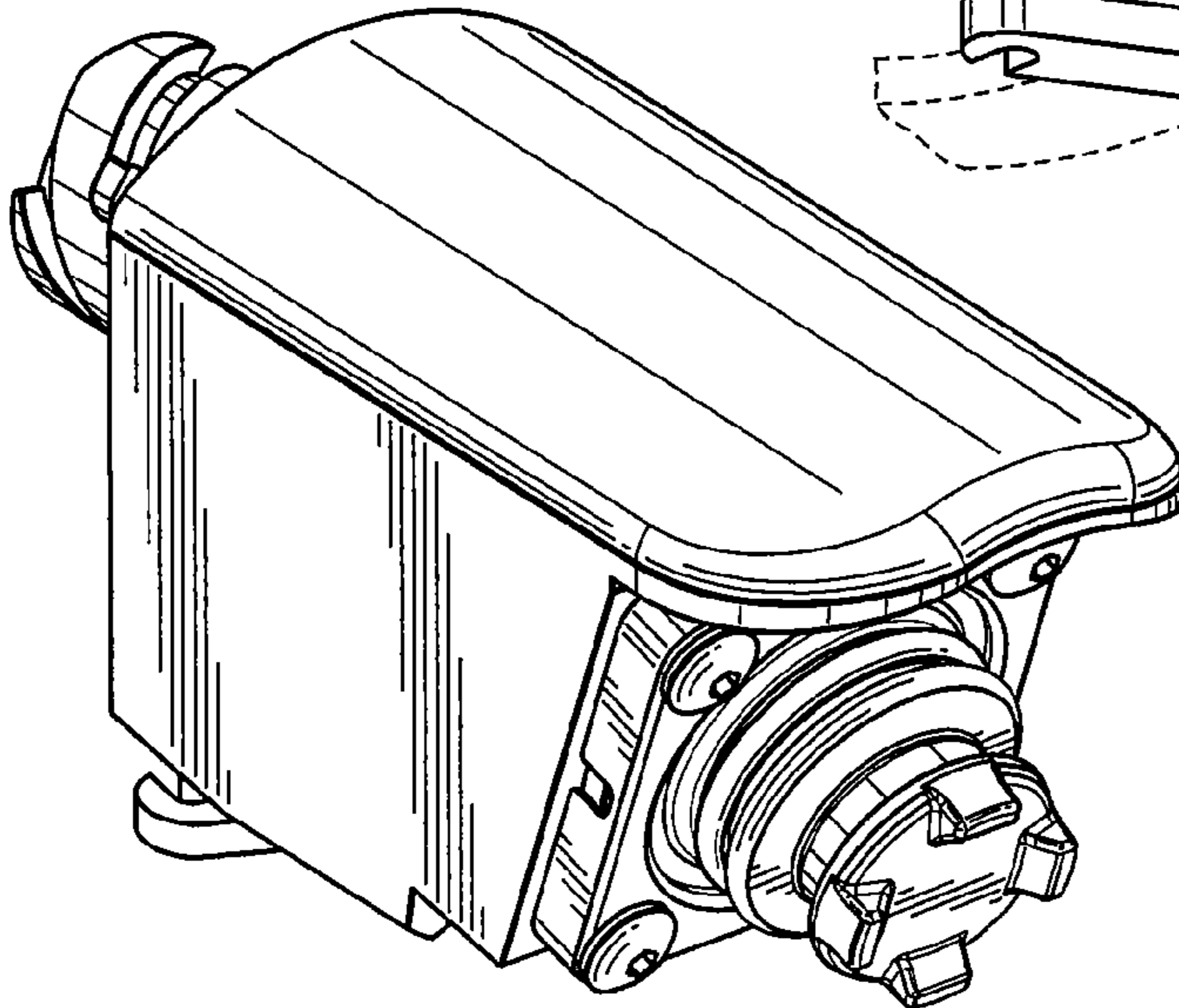


Fig. 22

