



US00D634377S

(12) **United States Design Patent**
Byle

(10) **Patent No.:** **US D634,377 S**
(45) **Date of Patent:** **** Mar. 15, 2011**

(54) **EXERCISE APPARATUS FOR RESISTANCE TRAINING**

(75) Inventor: **Brian Byle**, Manchester, NH (US)

(73) Assignee: **Brookstone Purchasing, Inc.**,
Merrimack, NH (US)

(**) Term: **14 Years**

(21) Appl. No.: **29/316,502**

(22) Filed: **Oct. 2, 2009**

Related U.S. Application Data

(63) Continuation-in-part of application No. 29/312,377,
filed on Oct. 17, 2008, now Pat. No. Des. 601,643.

(51) **LOC (9) Cl.** **21-02**

(52) **U.S. Cl.** **D21/686; D21/662; D21/671**

(58) **Field of Classification Search** D21/662,
D21/670-671, 685-686, 688-689, 692, 694;
482/52, 79-80, 121-123, 129-130, 140,
482/142, 146-147

See application file for complete search history.

(56) **References Cited**

U.S. PATENT DOCUMENTS

4,403,773	A	9/1983	Swann	
5,178,596	A	1/1993	McIntire	
5,352,176	A	10/1994	Huang	
D353,419	S	12/1994	Sprague	
D353,640	S *	12/1994	Huang	D21/689
D355,458	S	2/1995	Chen	
D371,177	S	6/1996	Efobi	
5,540,642	A	7/1996	Sprague	
5,713,823	A *	2/1998	Walendzak et al.	482/142
5,766,119	A *	6/1998	Clark	482/146
D428,454	S *	7/2000	Fischer et al.	D21/662
D446,264	S *	8/2001	Fischer et al.	D21/662
6,280,366	B1	8/2001	Hsieh	
6,299,569	B1	10/2001	Rich	
6,461,285	B1 *	10/2002	Theunissen et al.	482/146
D467,632	S	12/2002	Berns	
D482,748	S	11/2003	Flynt	
D505,460	S	5/2005	Dalebout et al.	

6,945,920	B1 *	9/2005	Kemery et al.	482/146
D517,136	S *	3/2006	Chen	D21/688
7,052,449	B2 *	5/2006	Chen	482/146
D557,757	S	12/2007	Van Straaten	
D562,918	S *	2/2008	Tuller	D21/662
D568,423	S *	5/2008	Y'shua et al.	D21/662
D601,643	S *	10/2009	Byle	D21/662
7,658,700	B2 *	2/2010	Maloy et al.	482/132

* cited by examiner

Primary Examiner — Susan E Krakower

(74) *Attorney, Agent, or Firm* — Grossman Tucker
Perreault & Pfleger, PLLC

(57) **CLAIM**

The ornamental design for an exercise apparatus for resistance training, as shown and described.

DESCRIPTION

FIG. 1 is a frontal perspective view of an exercise apparatus for resistance training having a textured surface for use by a person shown in broken lines, a right handle assembly, and a left handle assembly, wherein said right and left handle assemblies being in a storage position.

FIG. 2 is a front elevation view thereof.

FIG. 3 is a rear elevation view thereof.

FIG. 4 is a right-side elevation view thereof.

FIG. 5 is a left-side elevation view thereof.

FIG. 6 is a top plan view thereof.

FIG. 7 is a bottom plan view thereof.

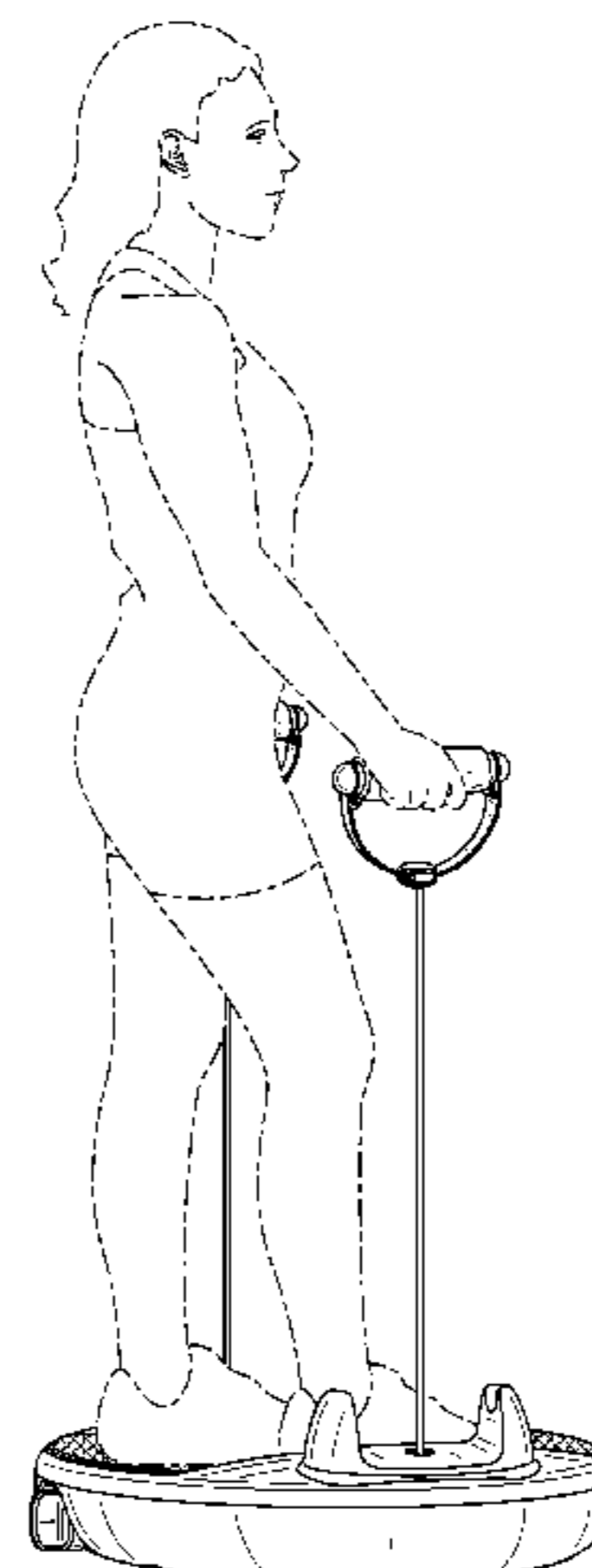
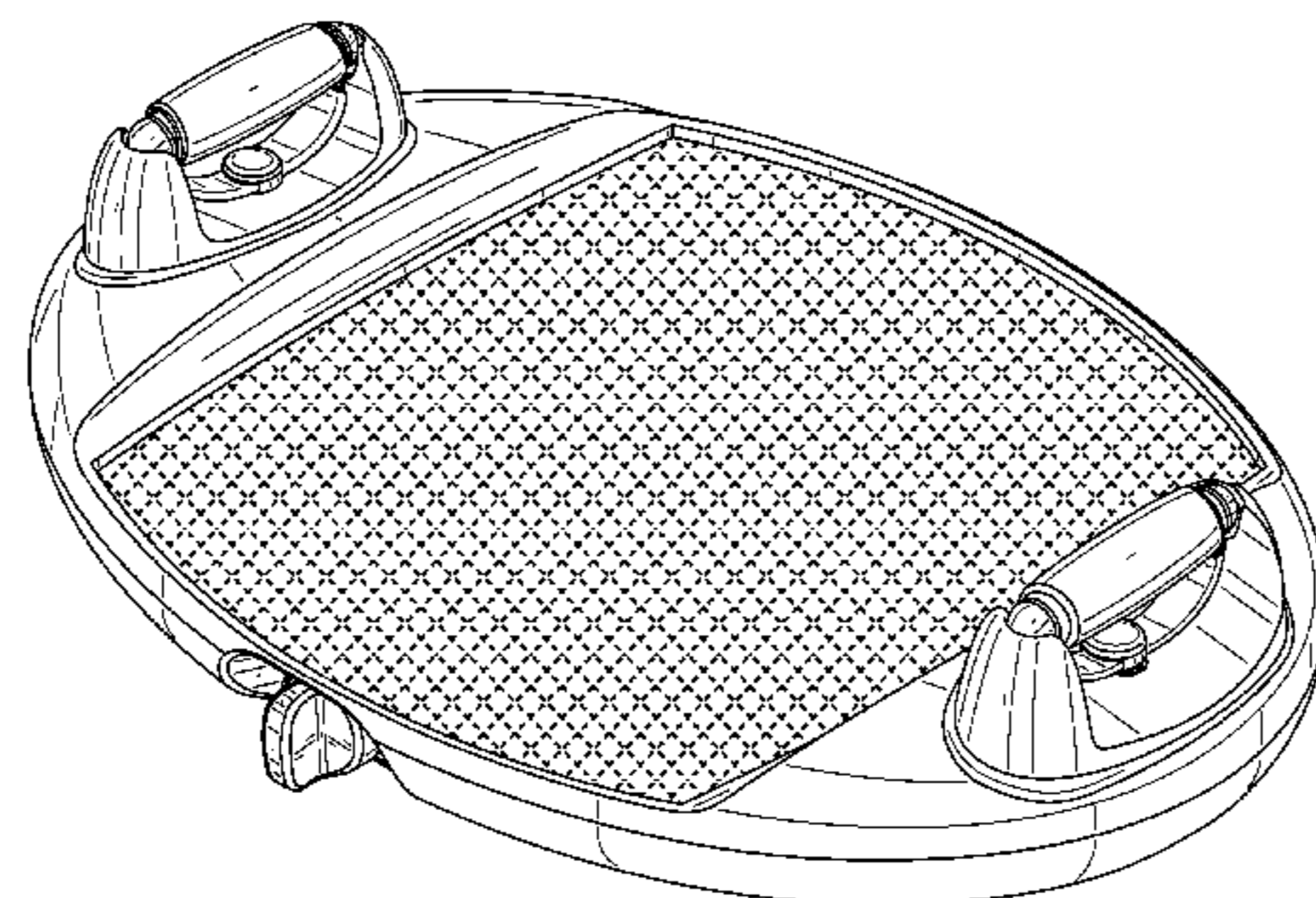
FIG. 8 is a side perspective view thereof, shown in condition of use with the right handle extended by an unclaimed person.

FIG. 9 is a side perspective view thereof, shown in condition of use with the left handle extended by an unclaimed person; and,

FIG. 10 is a side perspective view, shown in condition of use with both the right and left handles extended by an unclaimed person.

The broken lines showing a textured surface in FIGS. 1 and 6 represent unclaimed surface ornamentation and the broken lines showing a woman in FIGS. 8-10 illustrate environmental structure, which form no part of the claimed design.

1 Claim, 8 Drawing Sheets



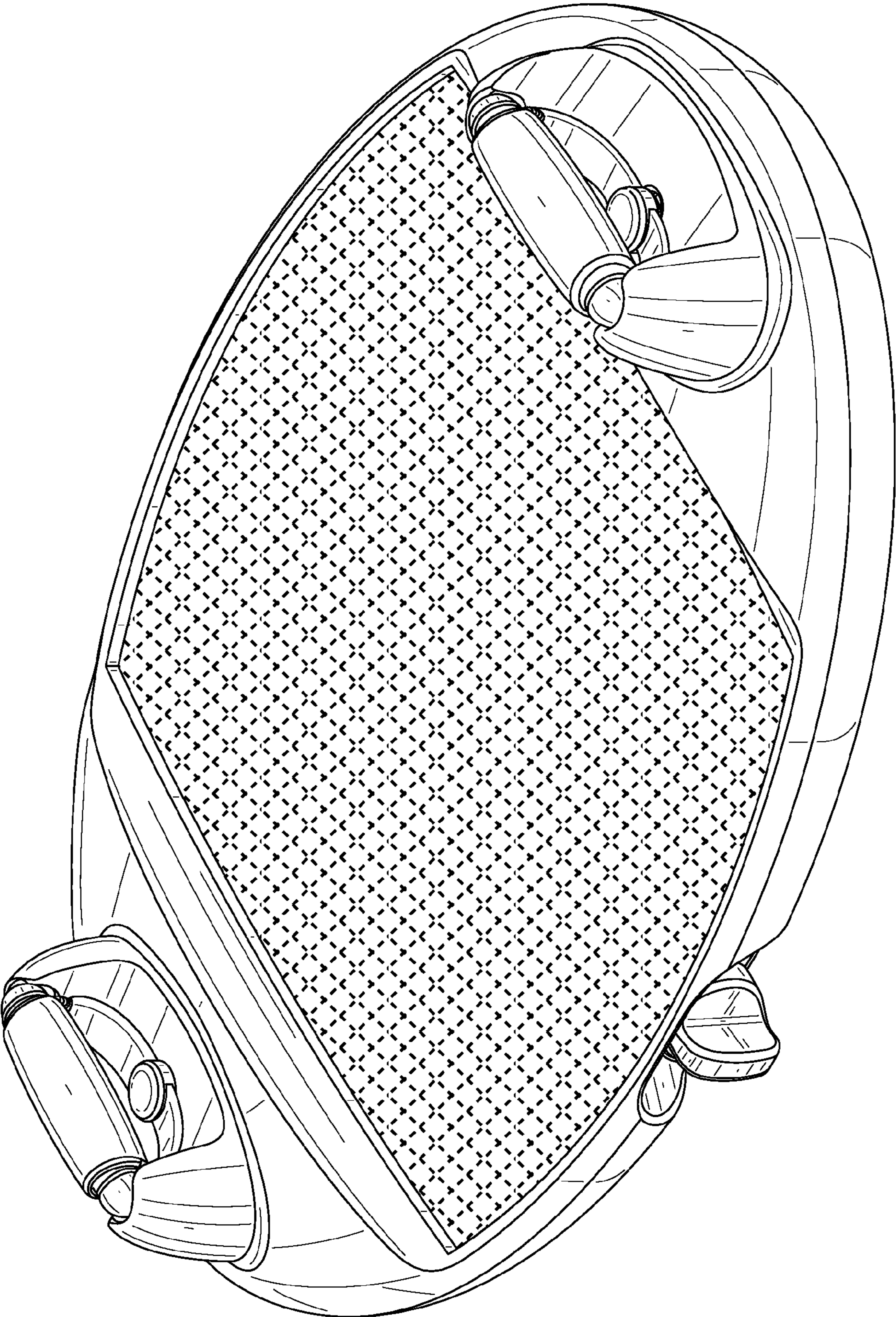


FIG. 1

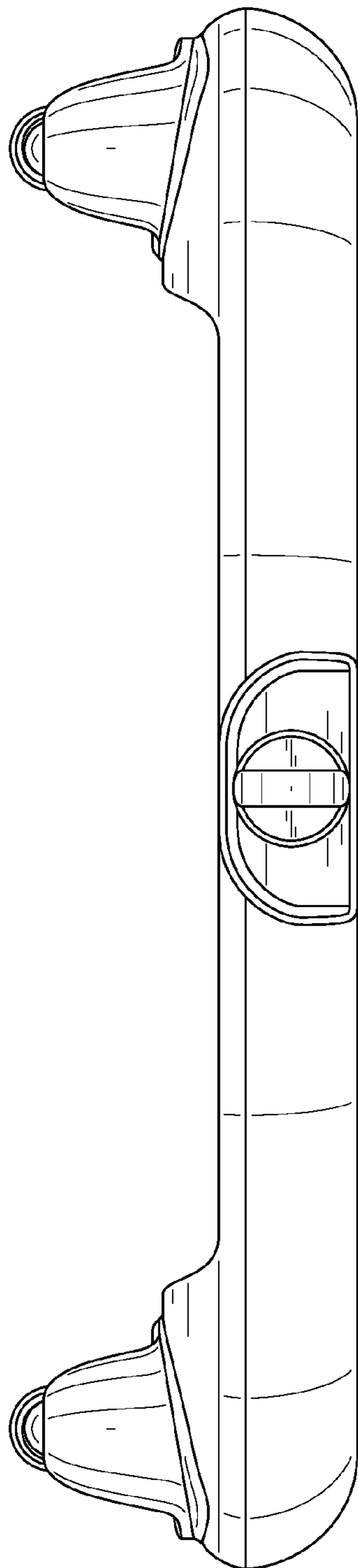


FIG. 2

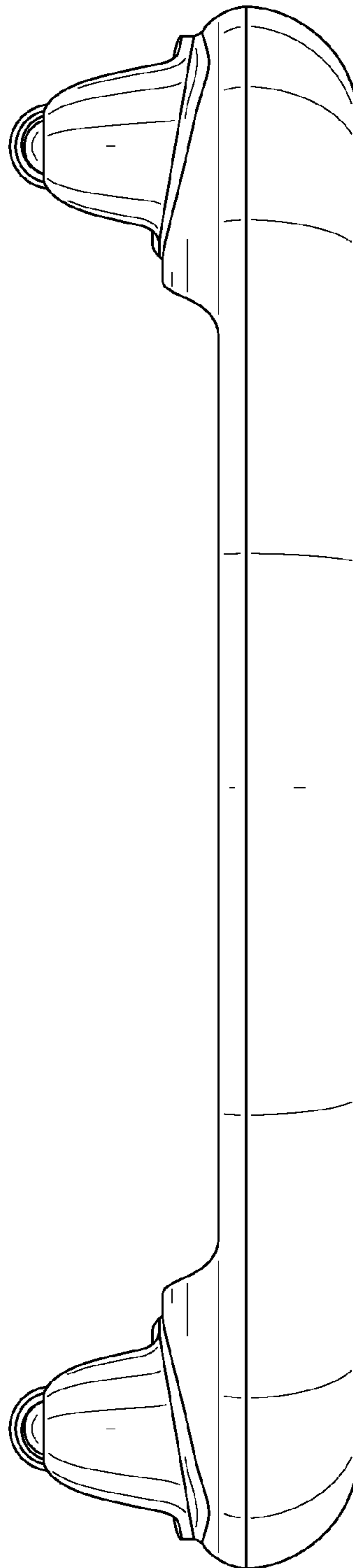


FIG. 3

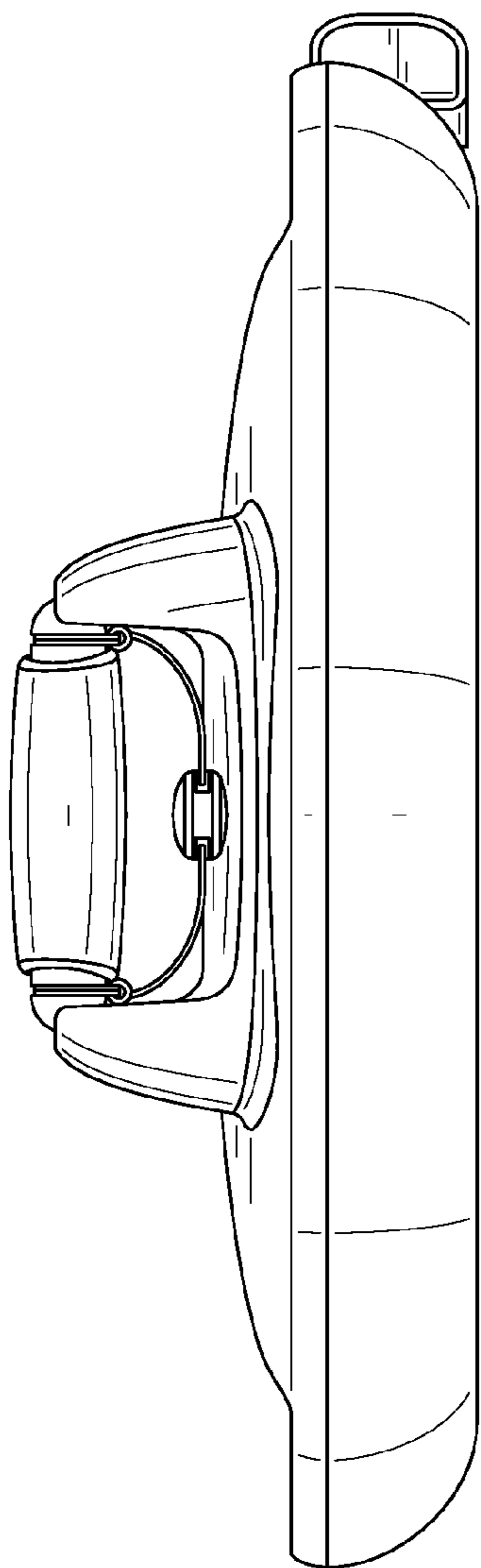


FIG. 4

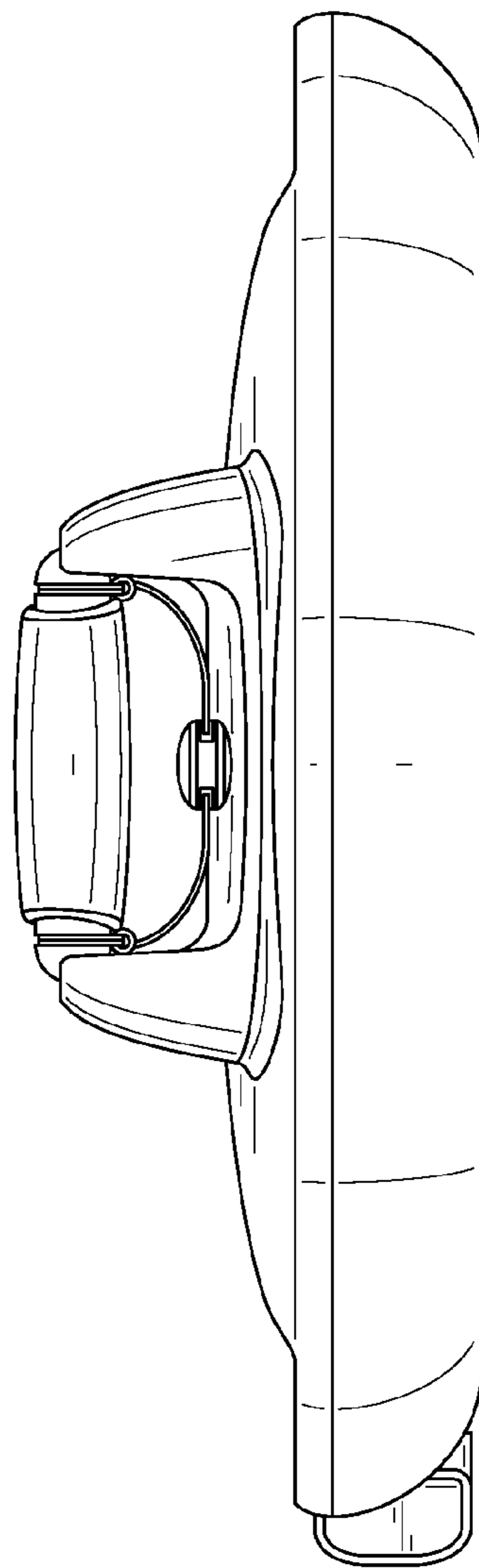


FIG. 5

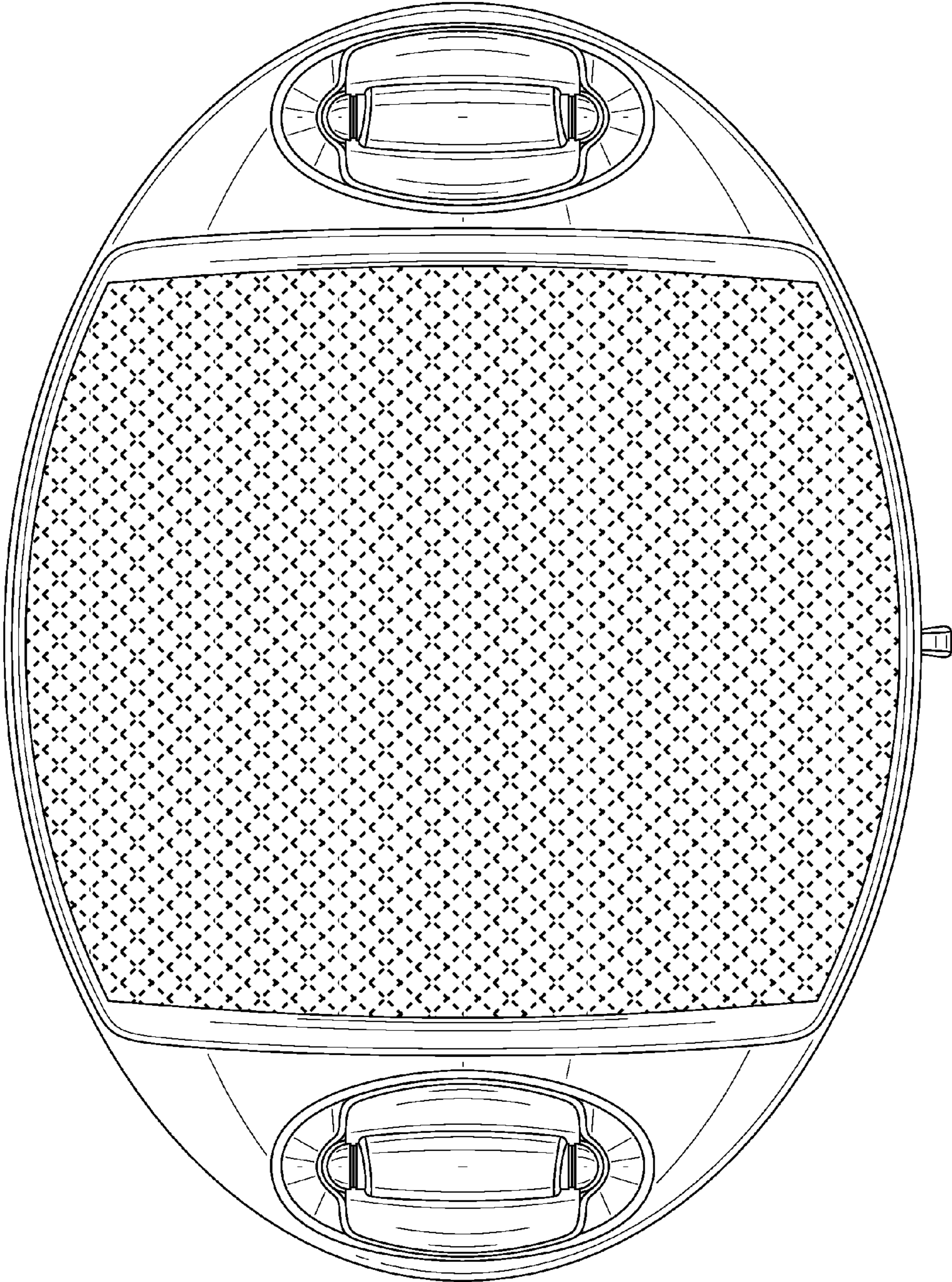


FIG. 6

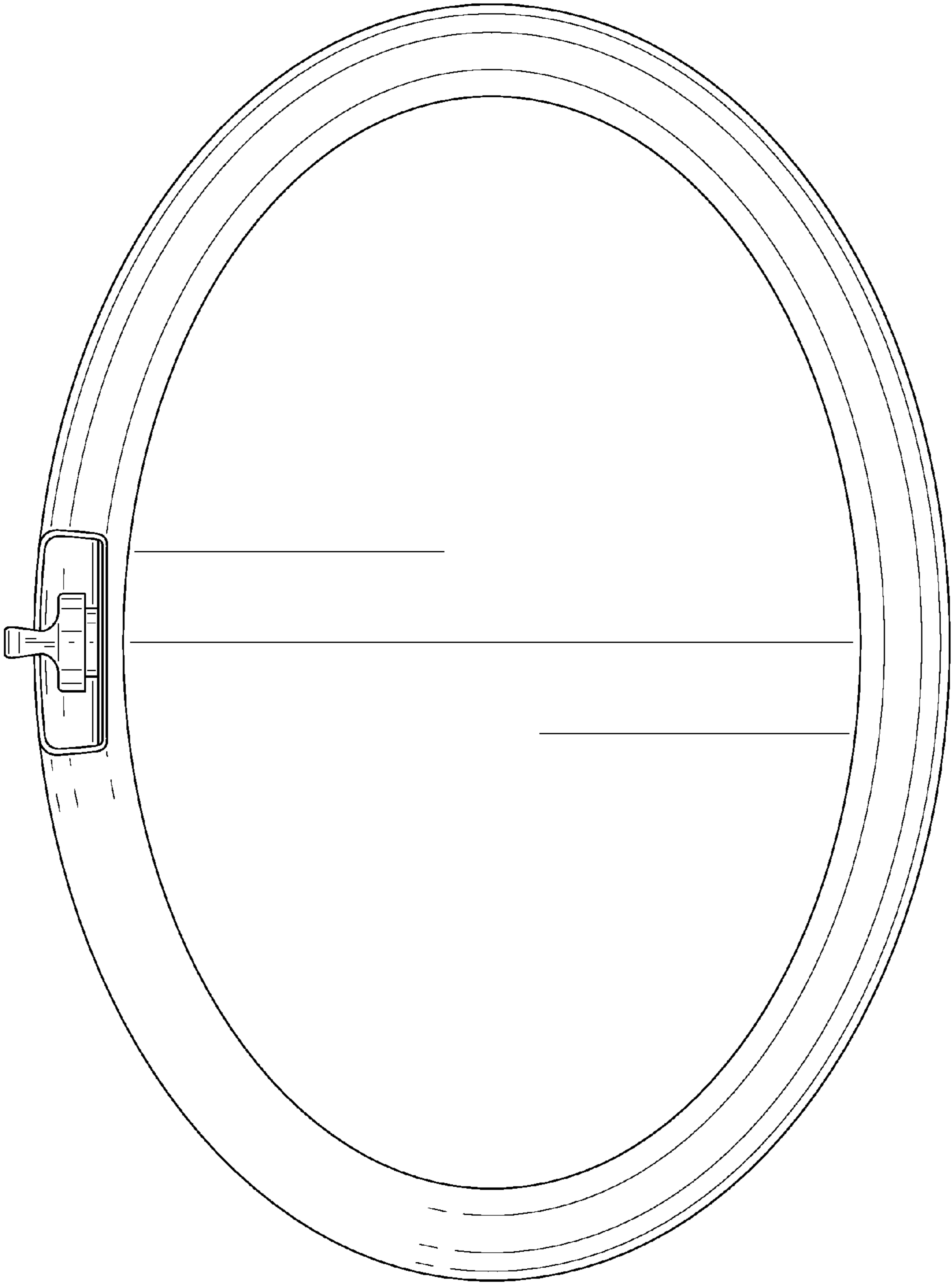


FIG. 7

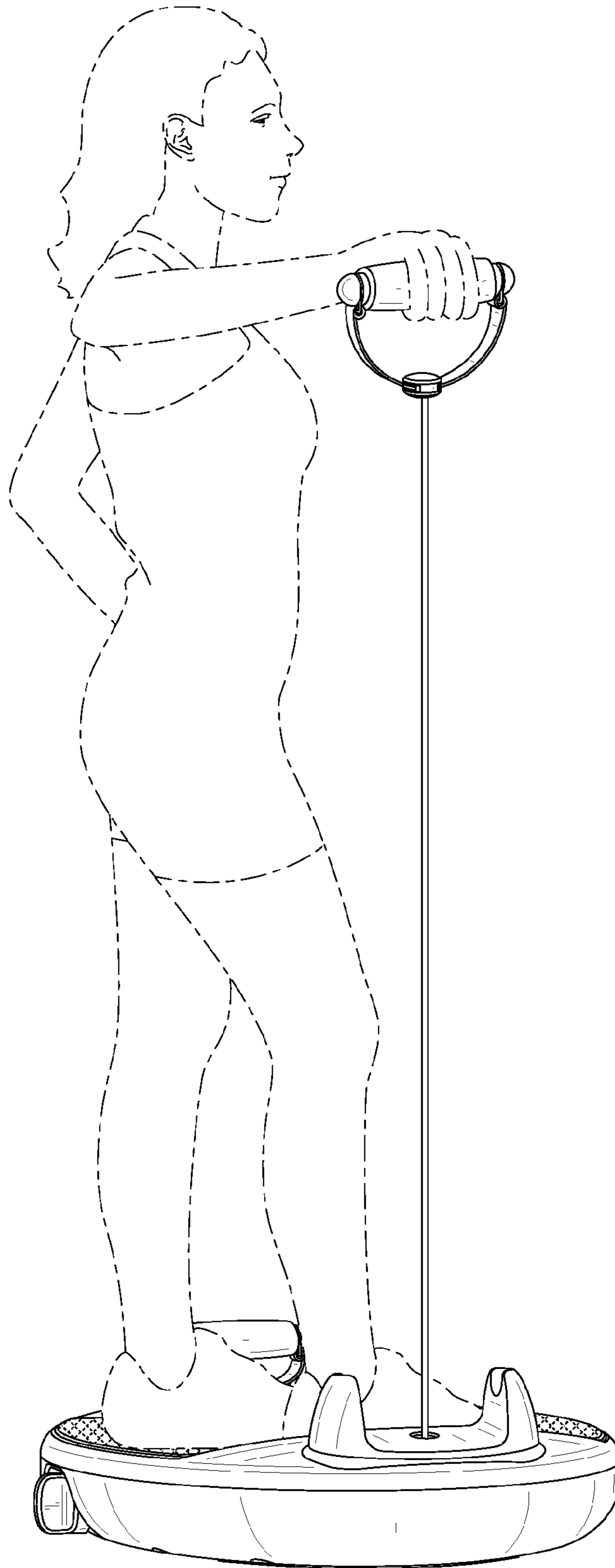


FIG. 8

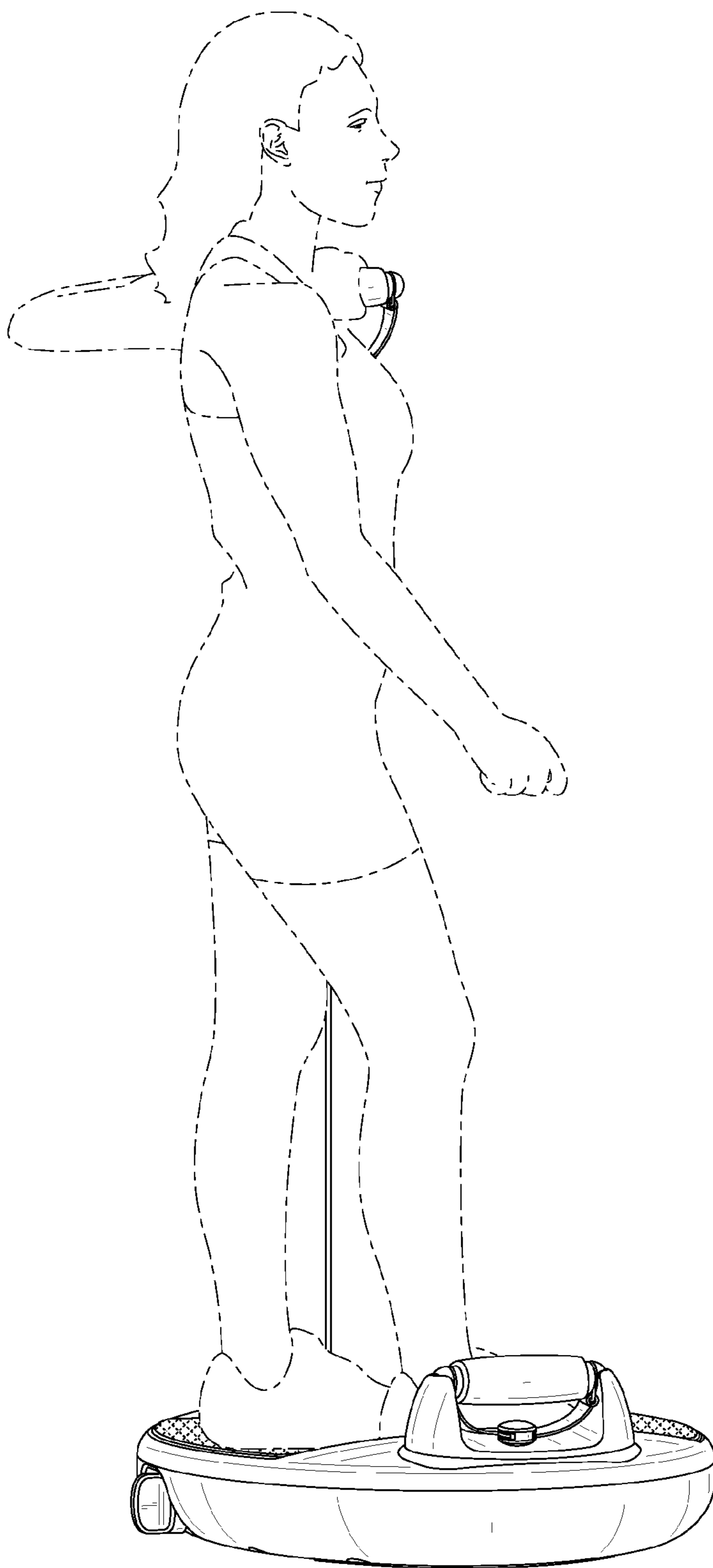


FIG. 9

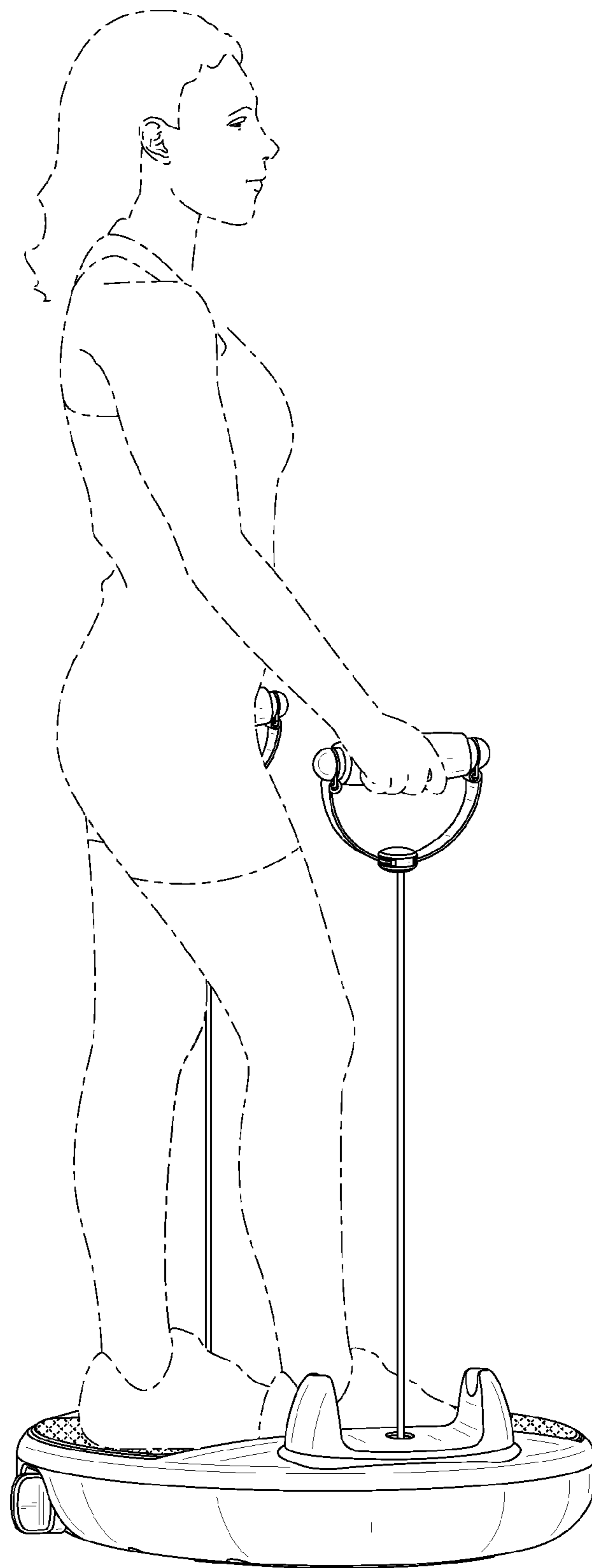


FIG. 10