



US00D634362S

(12) **United States Design Patent**
Inoue

(10) **Patent No.:** **US D634,362 S**

(45) **Date of Patent:** **** Mar. 15, 2011**

(54) **INK BOTTLE**

(75) Inventor: **Kyoichi Inoue**, Akishima (JP)

(73) Assignee: **Olympus Corporation**, Tokyo (JP)

(**) Term: **14 Years**

(21) Appl. No.: **29/338,358**

(22) Filed: **Jun. 10, 2009**

(30) **Foreign Application Priority Data**

Dec. 15, 2008 (JP) 2008-031832

(51) **LOC (9) Cl.** **18-02**

(52) **U.S. Cl.** **D18/56**

(58) **Field of Classification Search** D18/56,
D18/40, 43; 347/86, 87

See application file for complete search history.

(56) **References Cited**

U.S. PATENT DOCUMENTS

D288,334 S *	2/1987	Simons	D18/43
D320,042 S *	9/1991	Corby et al.	D18/43
D320,043 S *	9/1991	Corby et al.	D18/43
D320,044 S *	9/1991	Corby et al.	D18/43
D368,275 S *	3/1996	Sakurai et al.	D18/56
D408,846 S *	4/1999	Schwallie et al.	D18/43
D417,233 S *	11/1999	Sabonis	D18/56
D444,810 S *	7/2001	Itoh	D18/43
D452,699 S *	1/2002	Isomoto et al.	D18/43

D462,089 S *	8/2002	Trafton et al.	D18/56
D477,841 S *	7/2003	Shimizu et al.	D18/56
D524,367 S	7/2006	Wakayama et al.	
D524,368 S	7/2006	Wakayama et al.	
D526,353 S	8/2006	Wakayama et al.	
D527,047 S	8/2006	Wakayama et al.	
D530,365 S	10/2006	Wakayama et al.	
D587,749 S *	3/2009	Perrill et al.	D18/56
D611,531 S *	3/2010	Hatasa et al.	D18/56

* cited by examiner

Primary Examiner — David G Muller

(74) *Attorney, Agent, or Firm* — Holtz, Holtz, Goodman & Chick, PC

(57) **CLAIM**

The ornamental design for an ink bottle, as shown.

DESCRIPTION

FIG. 1 is a front, top and left side perspective view of an ink bottle, showing my new design;

FIG. 2 is a rear, bottom and right side perspective view thereof;

FIG. 3 is a front elevational view thereof;

FIG. 4 is a rear elevational view thereof;

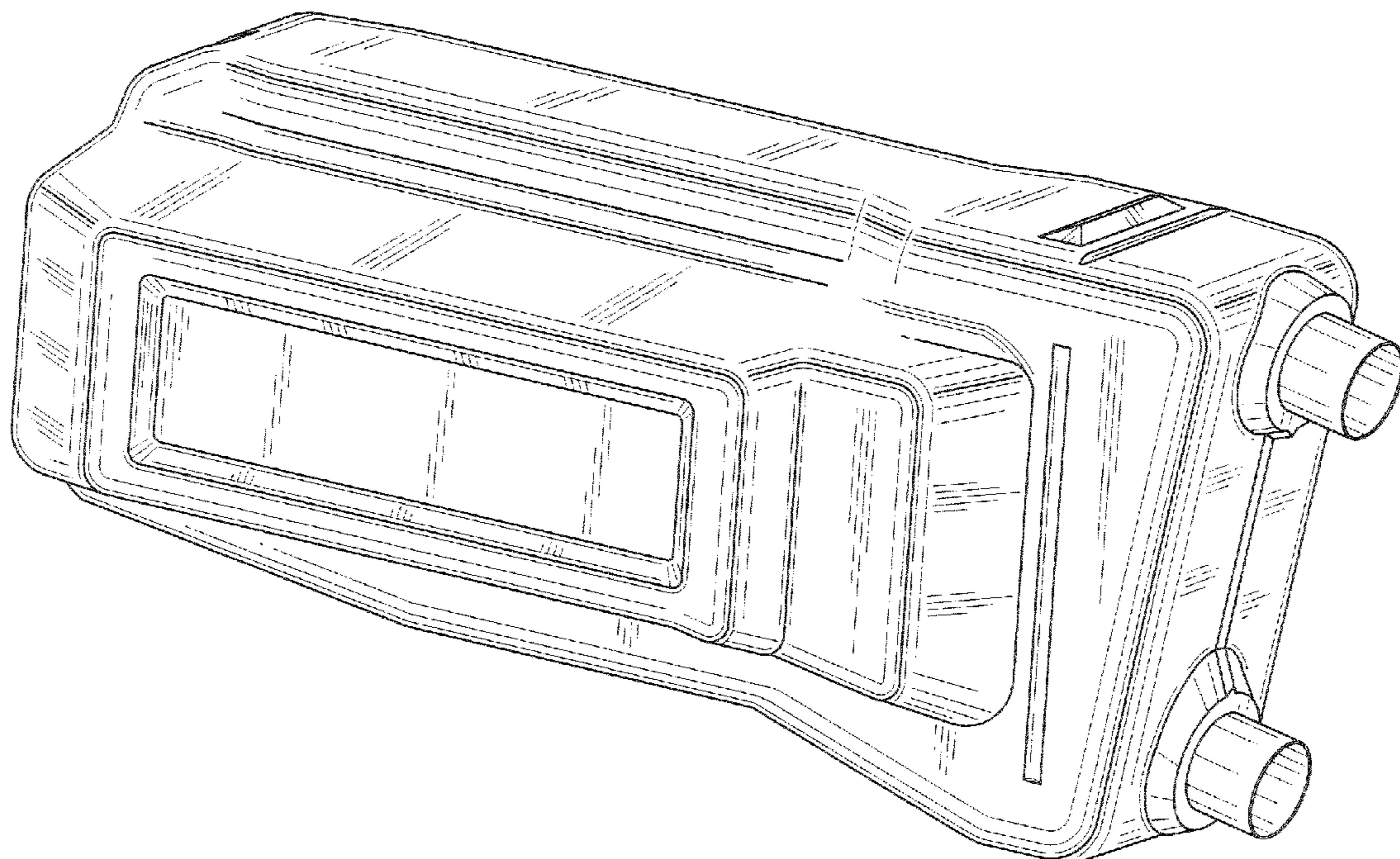
FIG. 5 is a top plan view thereof;

FIG. 6 is a bottom plan view thereof;

FIG. 7 is a right side elevational view thereof; and,

FIG. 8 is a left side elevational view thereof.

1 Claim, 7 Drawing Sheets



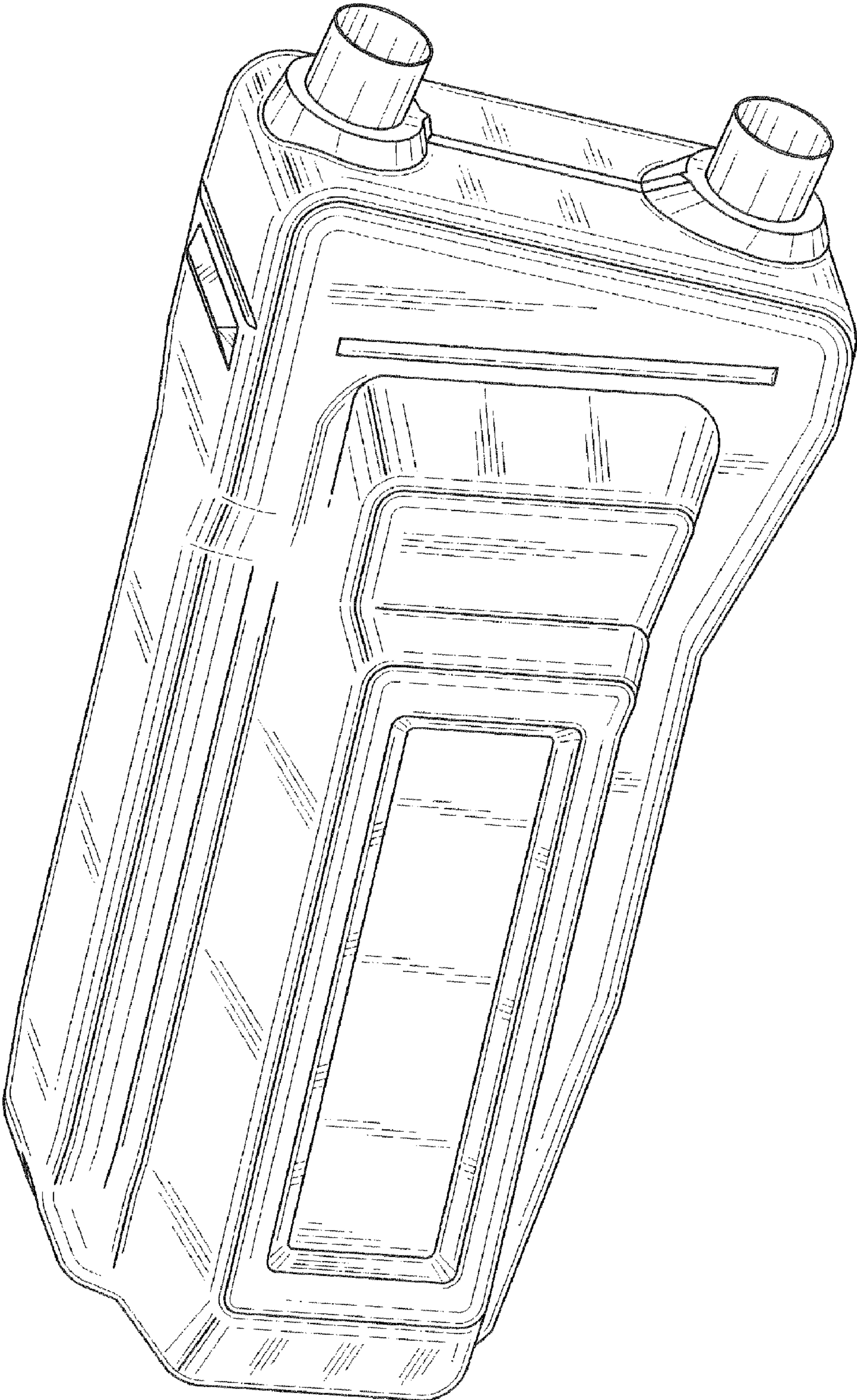


FIG. 1

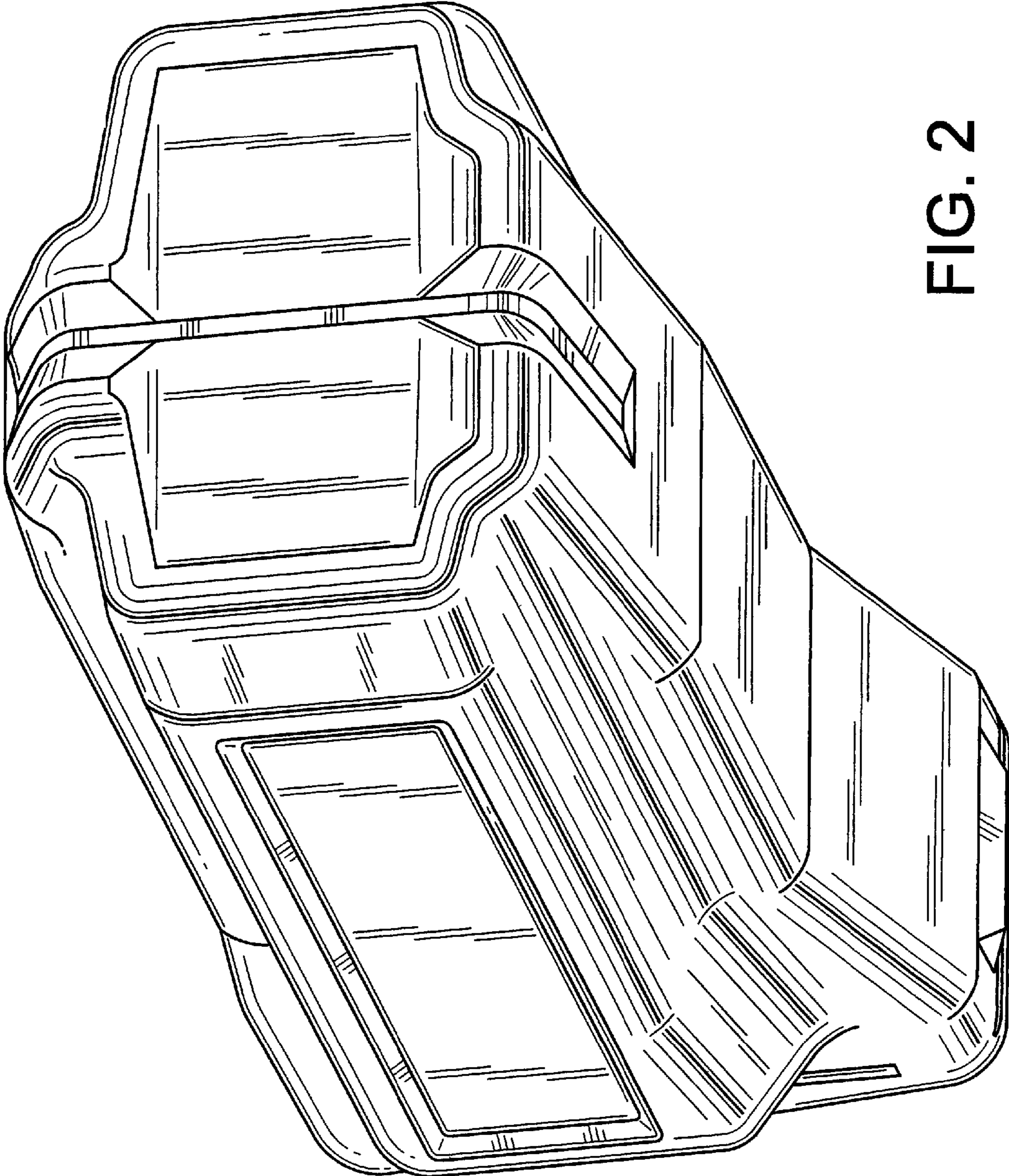


FIG. 2

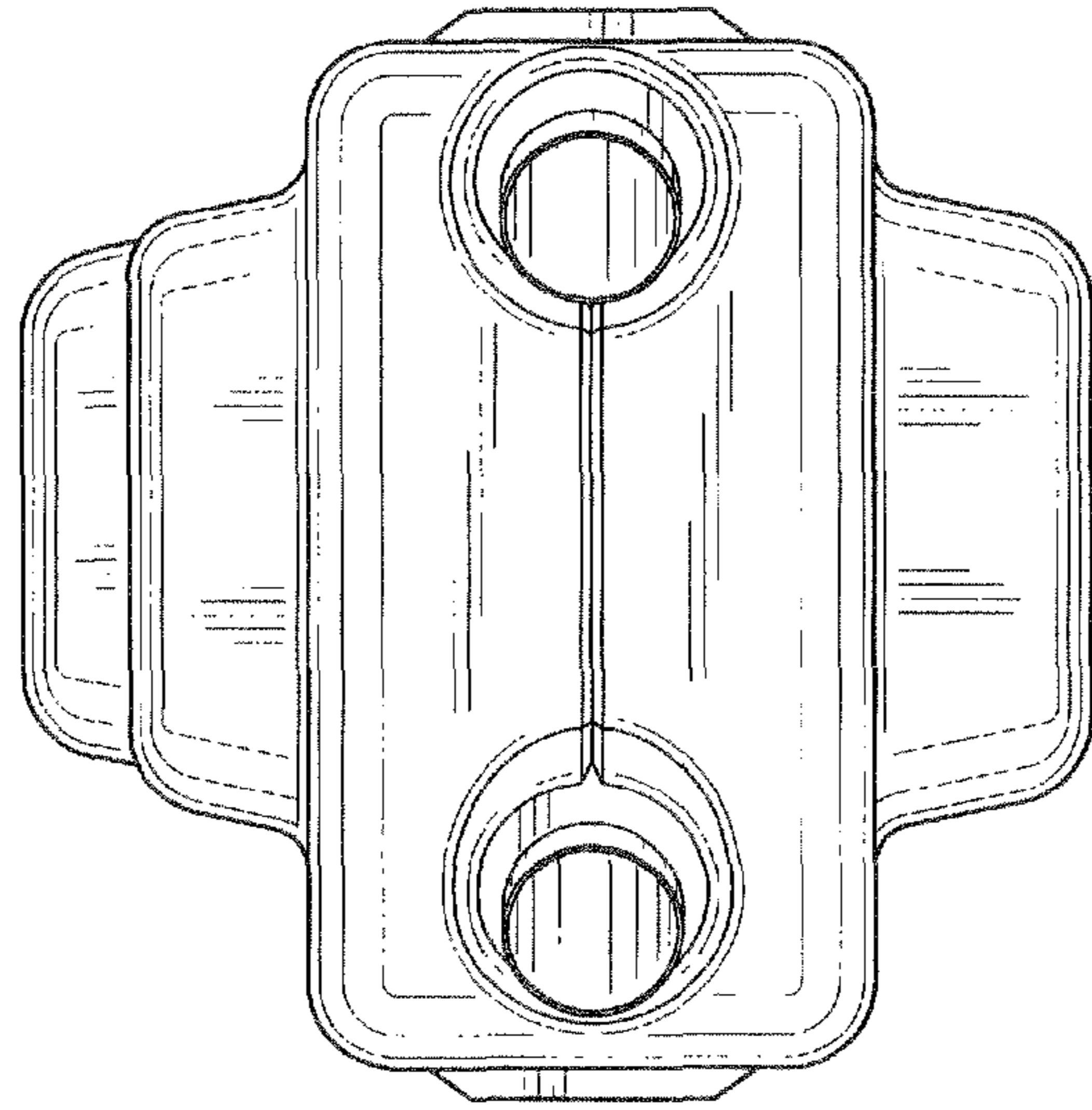


FIG. 3

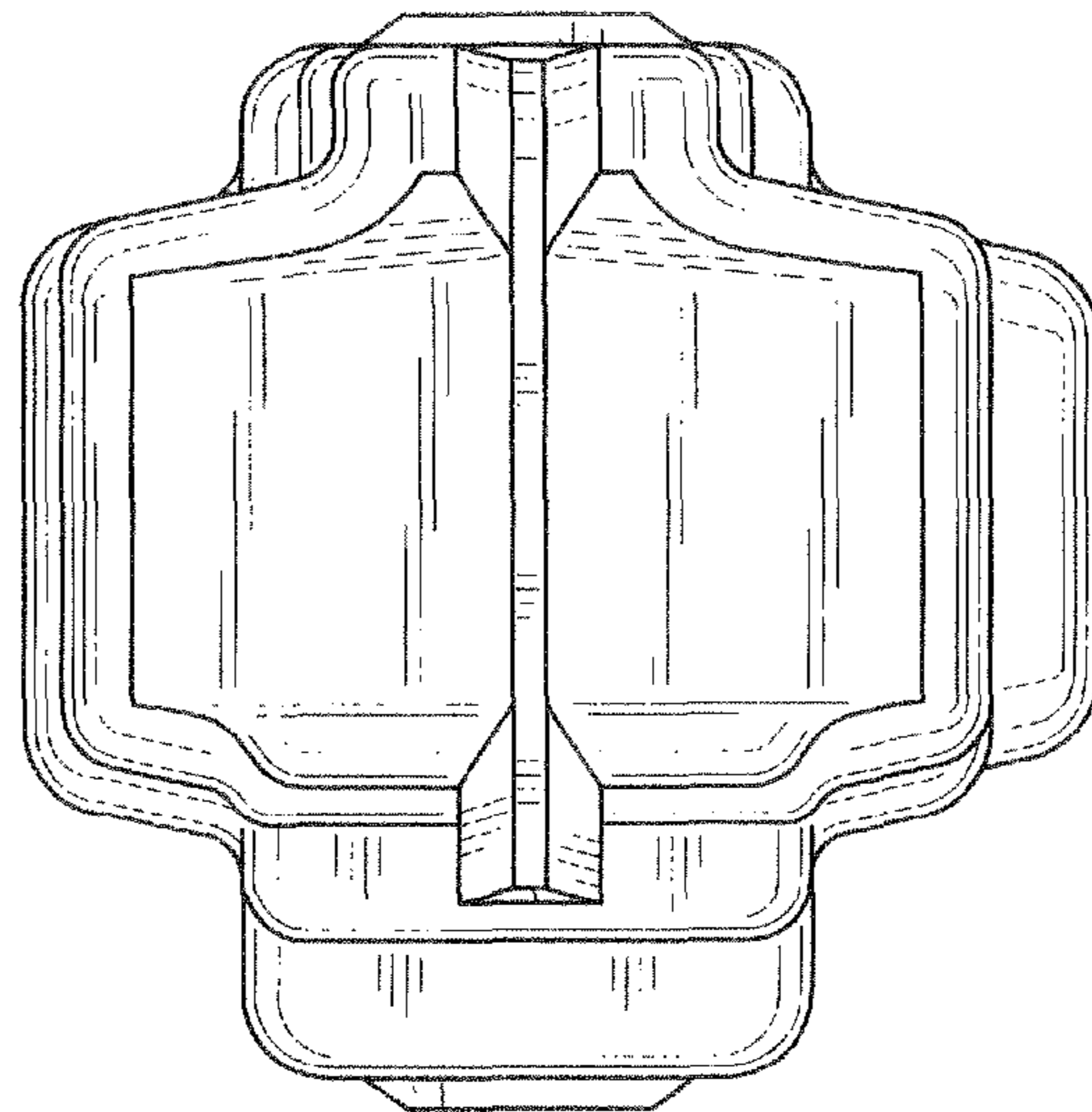


FIG. 4

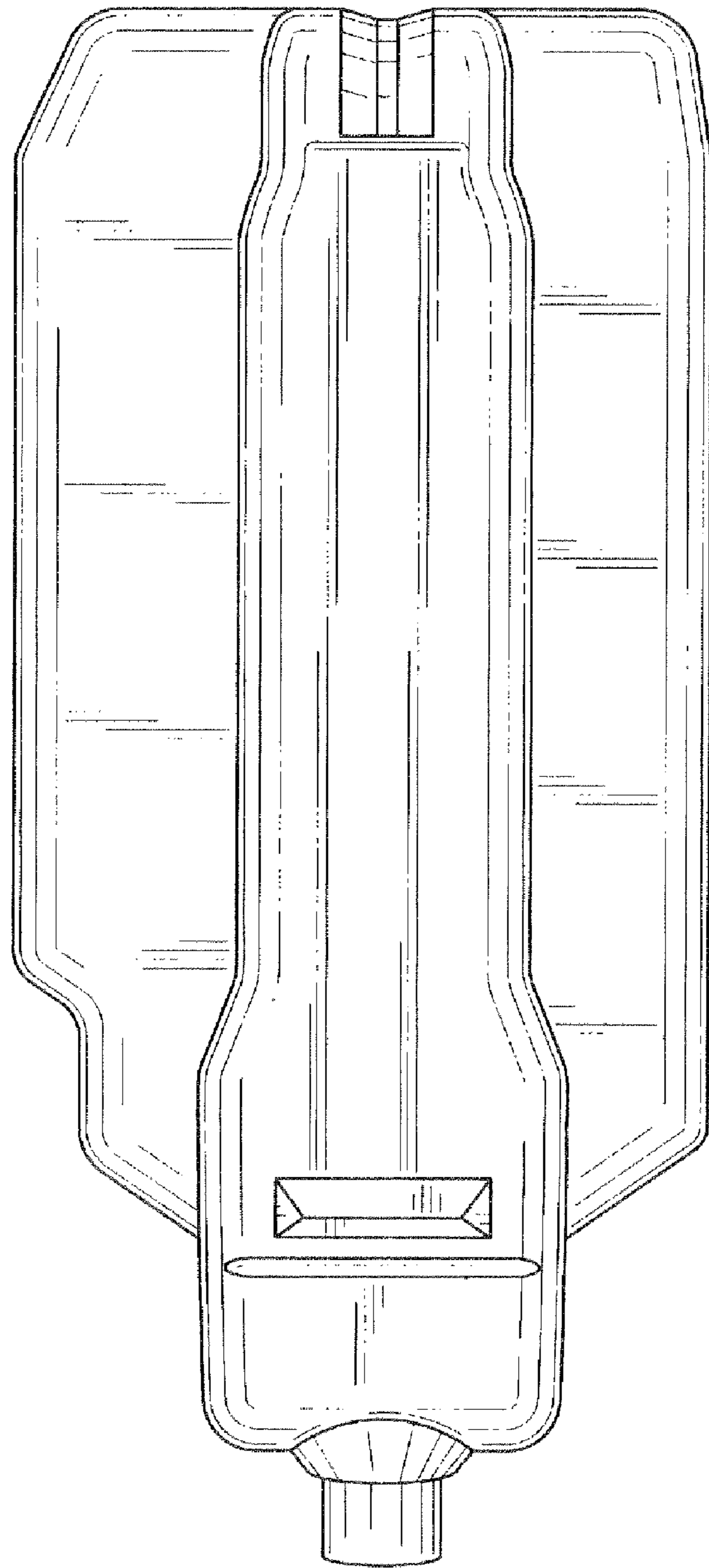


FIG. 5

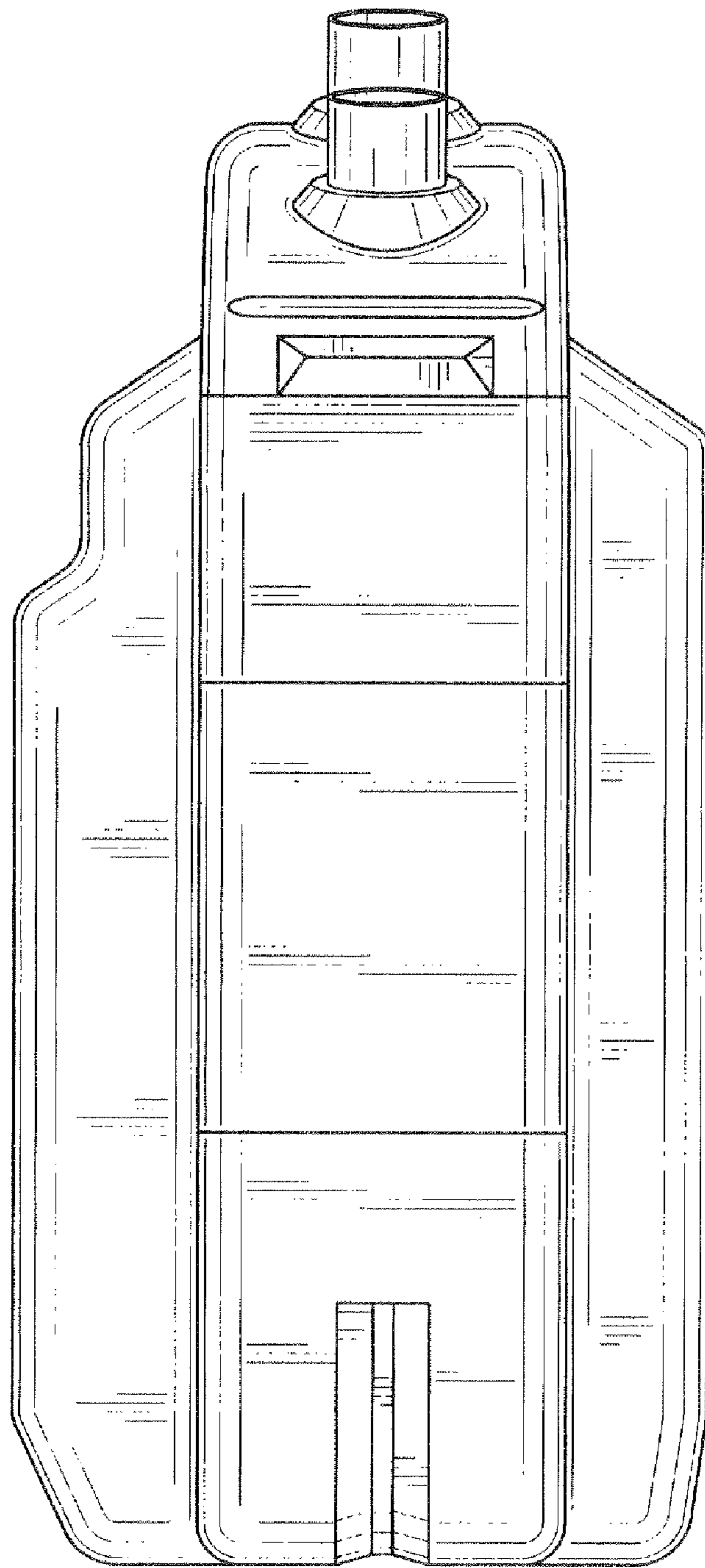


FIG. 6

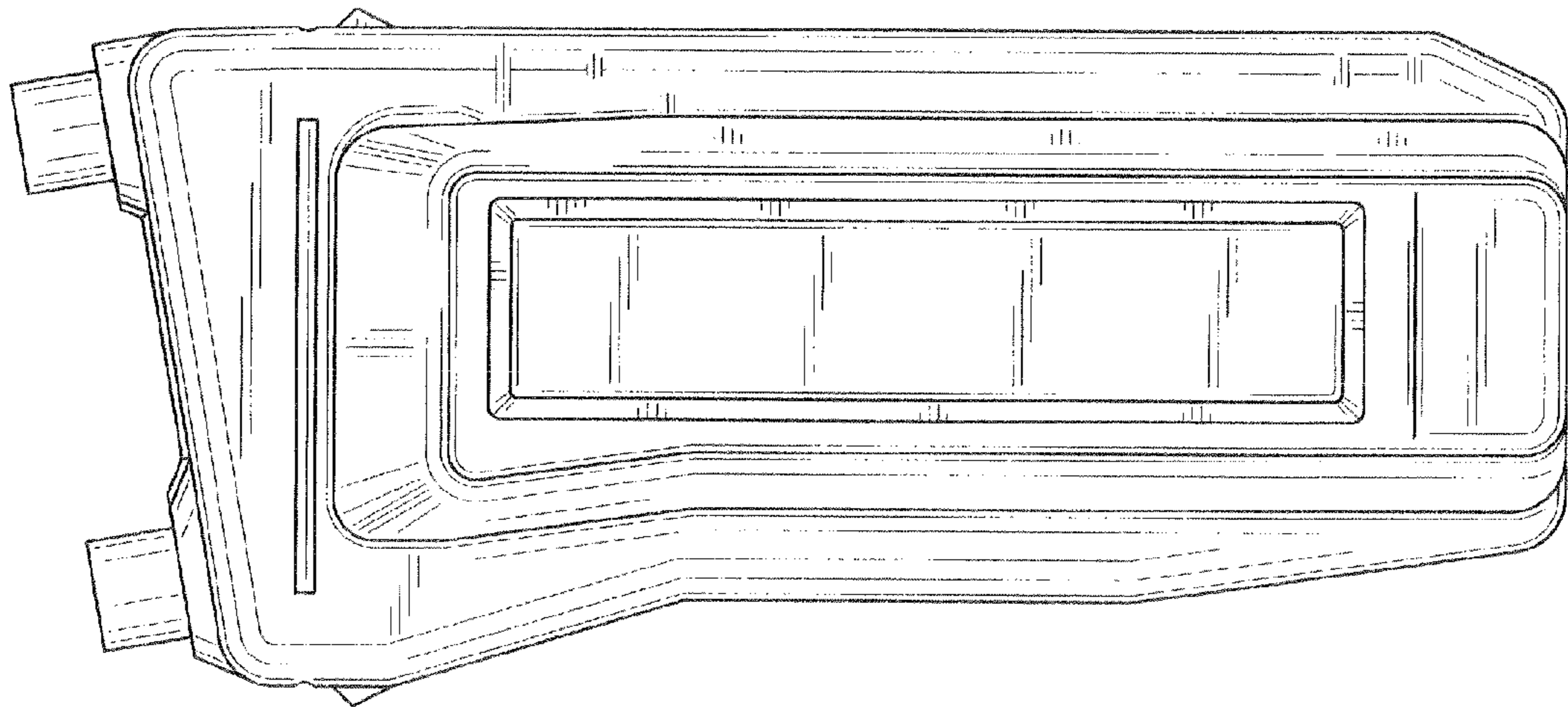


FIG. 7

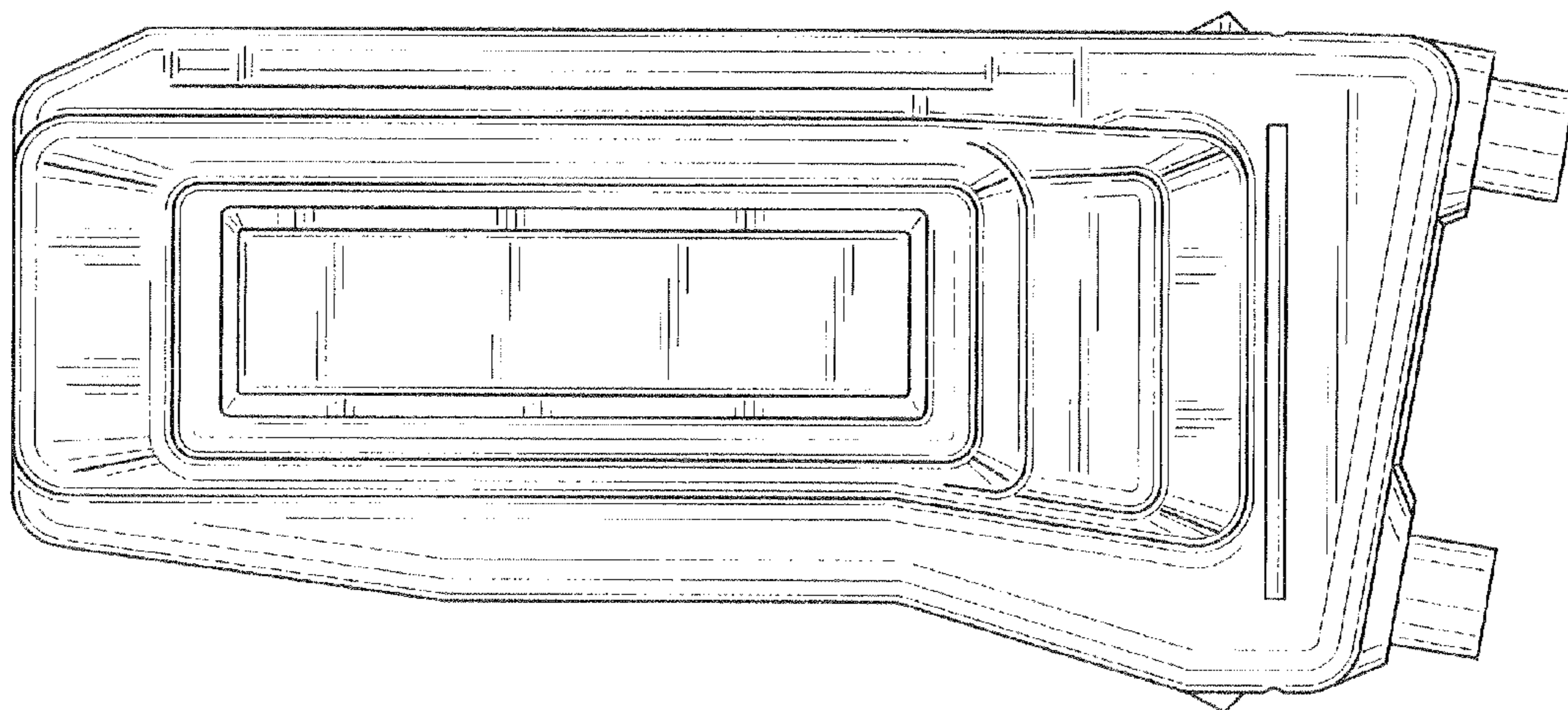


FIG. 8