



US00D634360S

(12) **United States Design Patent**
Brown et al.

(10) **Patent No.:** **US D634,360 S**
(45) **Date of Patent:** **** Mar. 15, 2011**

(54) **OFFICE MACHINE**

(75) Inventors: **Donald A. Brown**, Honeoye Falls, NY
(US); **Takenouchi Masaaki**, Yokohama
(JP); **Hiroko Saito**, Yokohama (JP)

(73) Assignee: **Xerox Corporation**, Norwalk, CT (US)

(**) Term: **14 Years**

(21) Appl. No.: **29/327,355**

(22) Filed: **Nov. 4, 2008**

(51) **LOC (9) Cl.** **14-02**

(52) **U.S. Cl.** **D18/55**

(58) **Field of Classification Search** D18/36-37,
D18/50, 54, 54.1, 55, 19; D14/420-425,
D14/463-470; 400/613, 613.1-613.4, 690.1-690.4,
400/691-694

See application file for complete search history.

(56) **References Cited**

U.S. PATENT DOCUMENTS

D368,927 S * 4/1996 Kim D18/55
D378,300 S * 3/1997 Ito D18/55
D388,455 S * 12/1997 Tanabe D18/55
D403,015 S * 12/1998 Fetherolf D18/55

D403,350 S * 12/1998 Chambers et al. D18/55
D456,445 S * 4/2002 Kusanagi D18/55
D533,586 S * 12/2006 Nakamura et al. D18/55
D558,264 S * 12/2007 Smith et al. D18/55
D585,934 S * 2/2009 Tomono et al. D18/55
2004/0131378 A1 * 7/2004 Hattori et al. 399/90

* cited by examiner

Primary Examiner — Cathy Anne MacCormac

(74) *Attorney, Agent, or Firm* — Tallam I. Nguti

(57) **CLAIM**

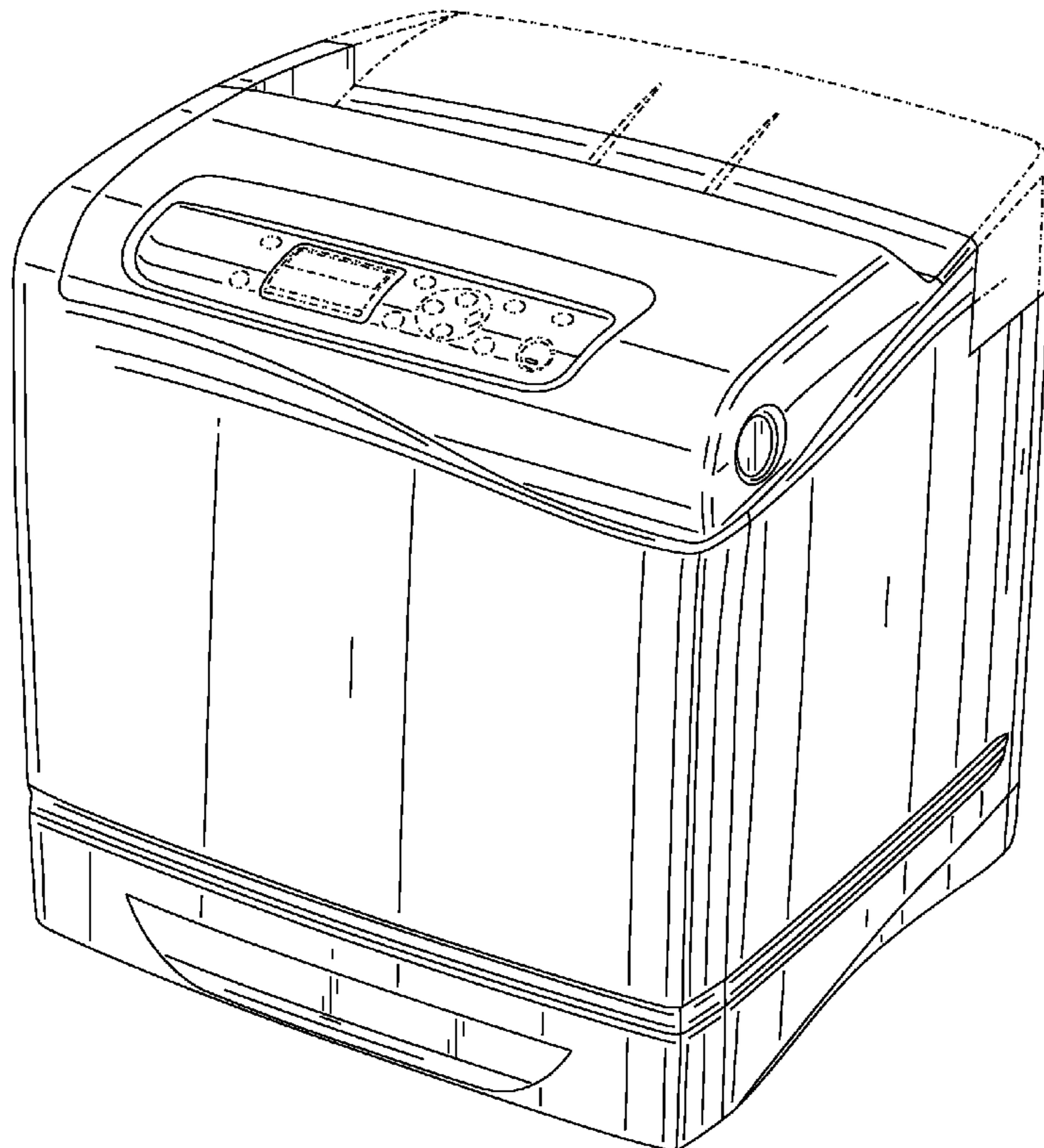
The ornamental design for an office machine, as shown and described.

DESCRIPTION

FIG. 1 is a perspective view of an office machine showing the ornamental design in accordance with the present invention; FIG. 2 is a front view thereof; FIG. 3 is a right side view thereof; FIG. 4 is a rear view thereof; FIG. 5 is a left side view thereof; FIG. 6 is a top plan view thereof; and, FIG. 7 is a bottom plan view thereof.

The broken lines shown are for illustrative purposes only and form no part of the claimed design.

1 Claim, 7 Drawing Sheets



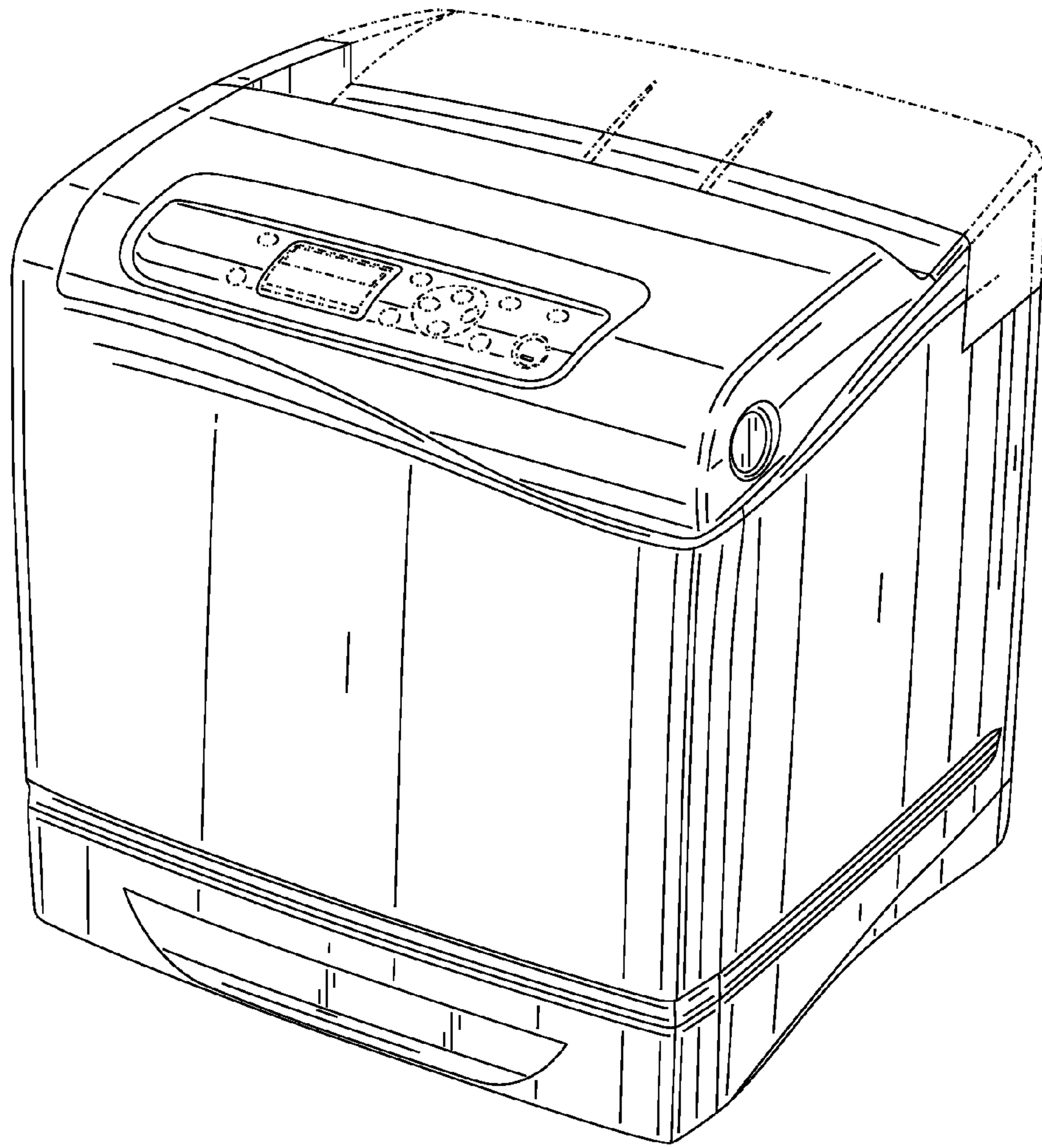


FIG. 1

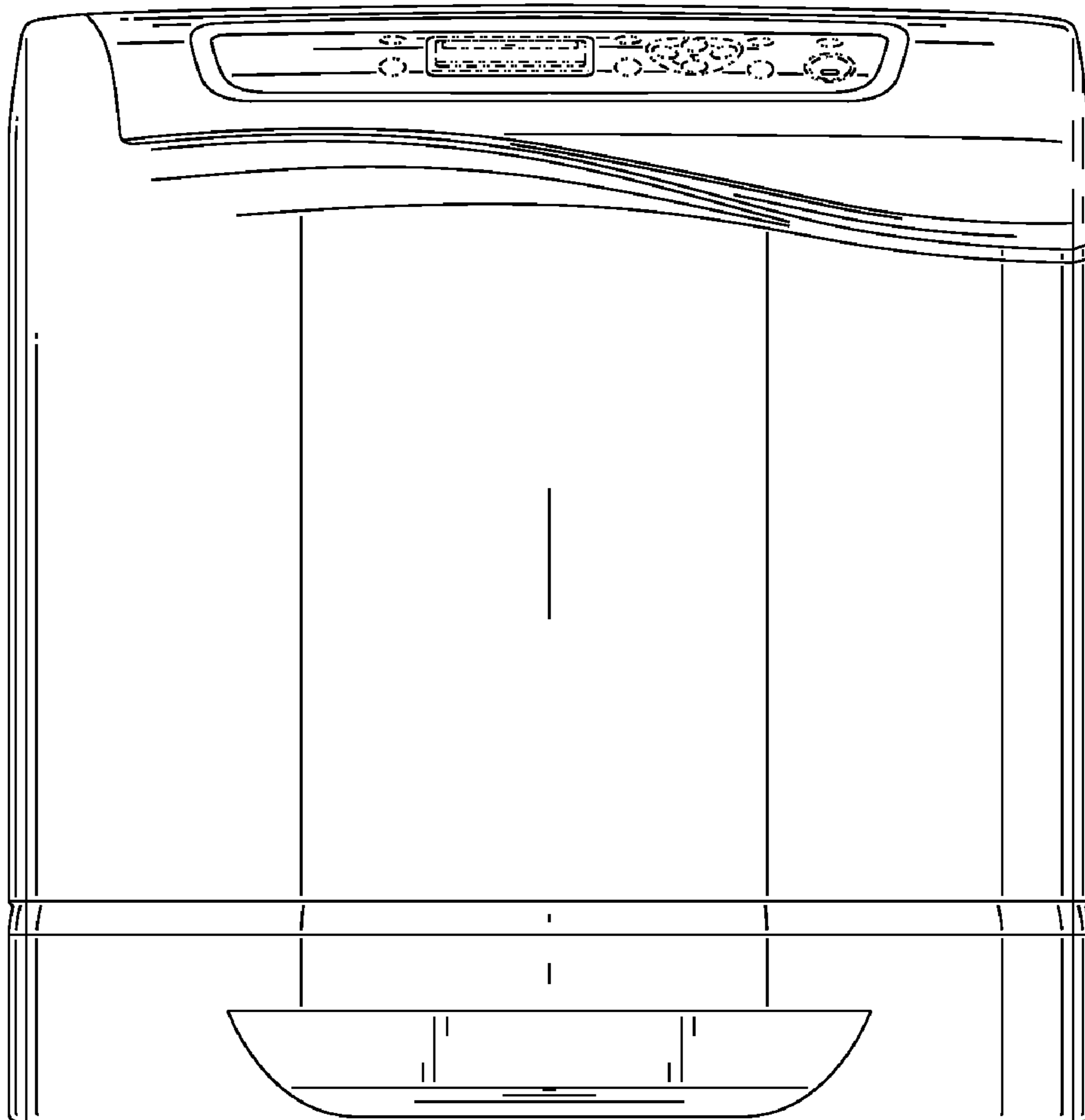


FIG. 2

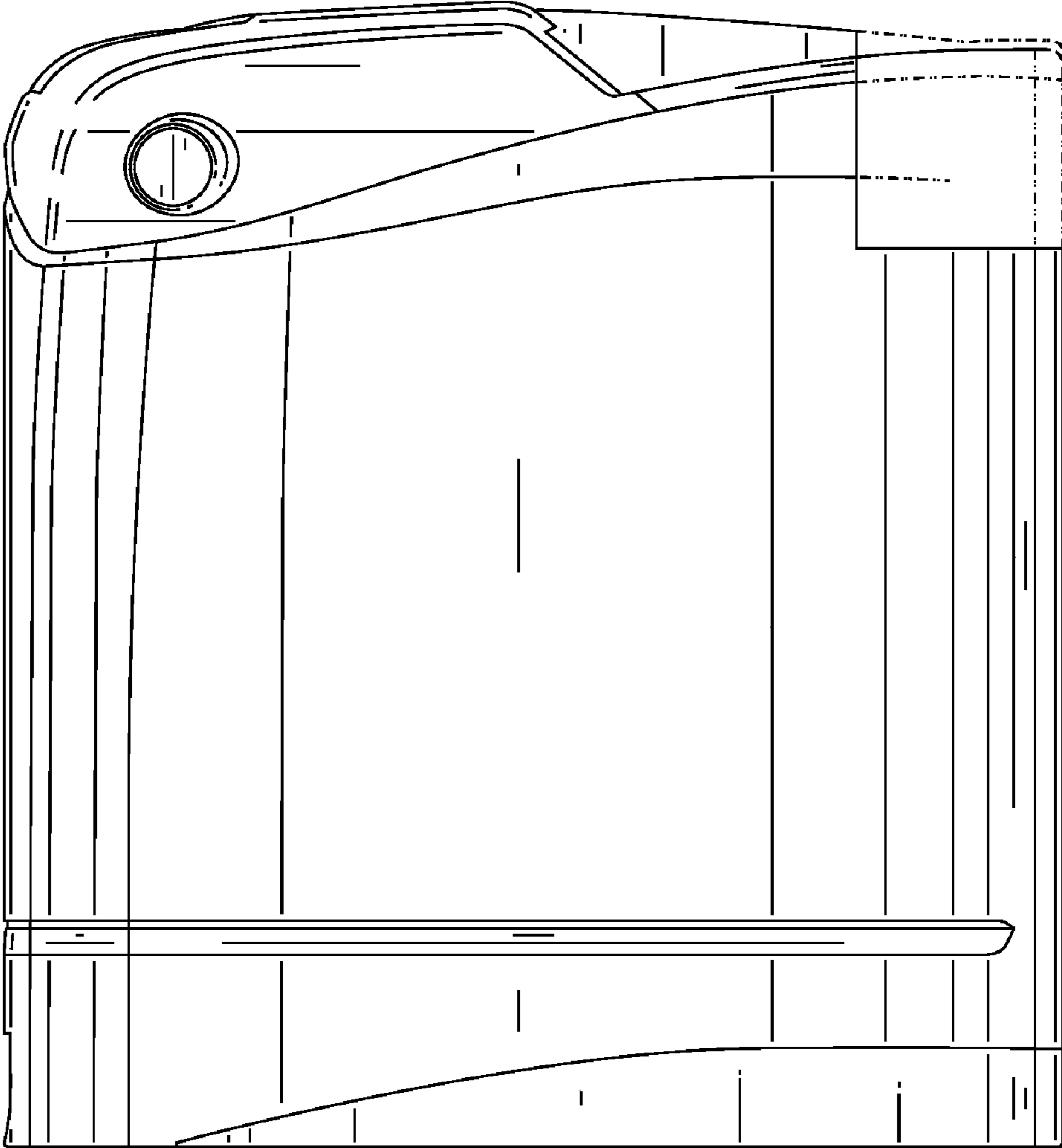


FIG. 3

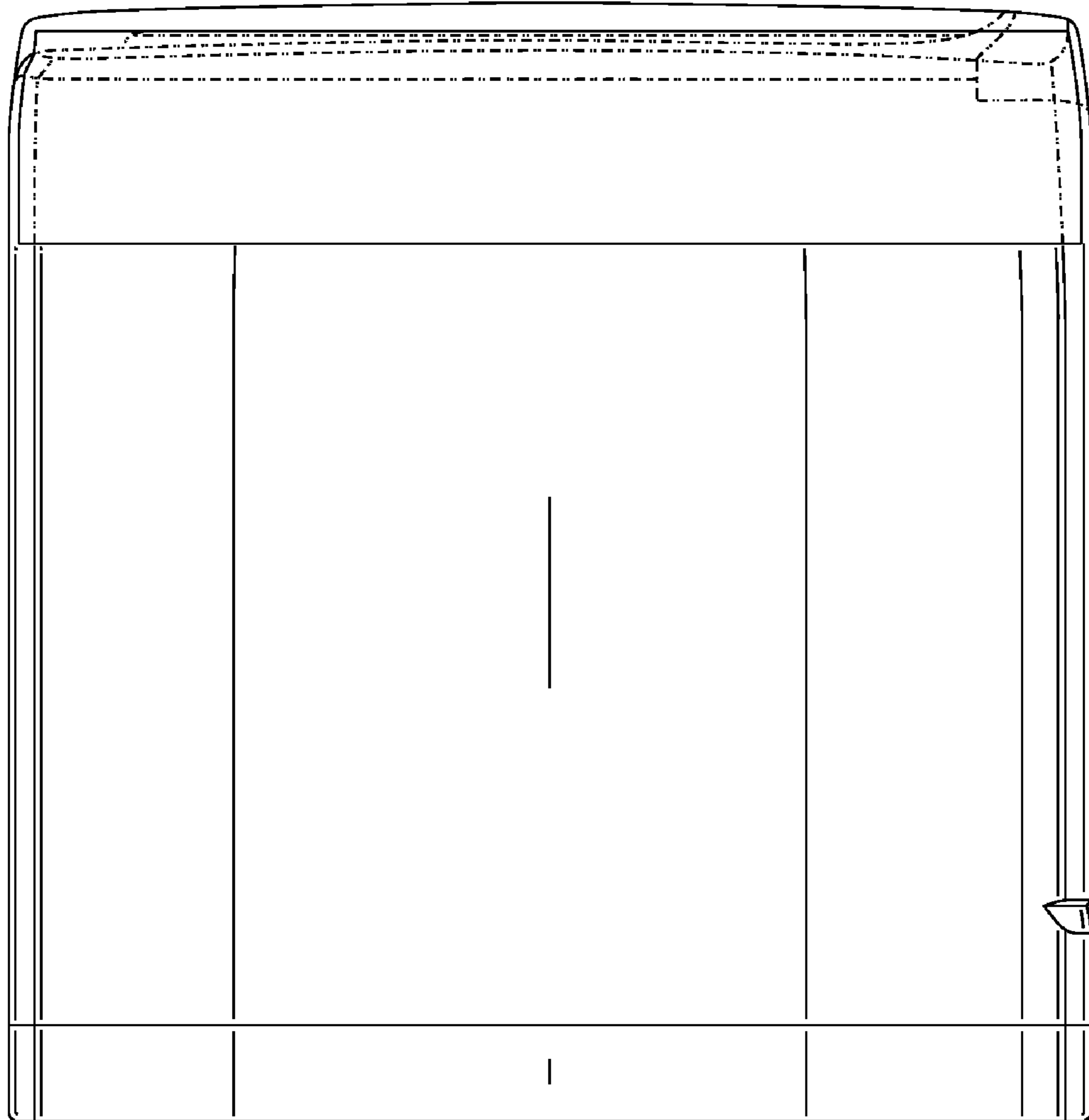


FIG. 4

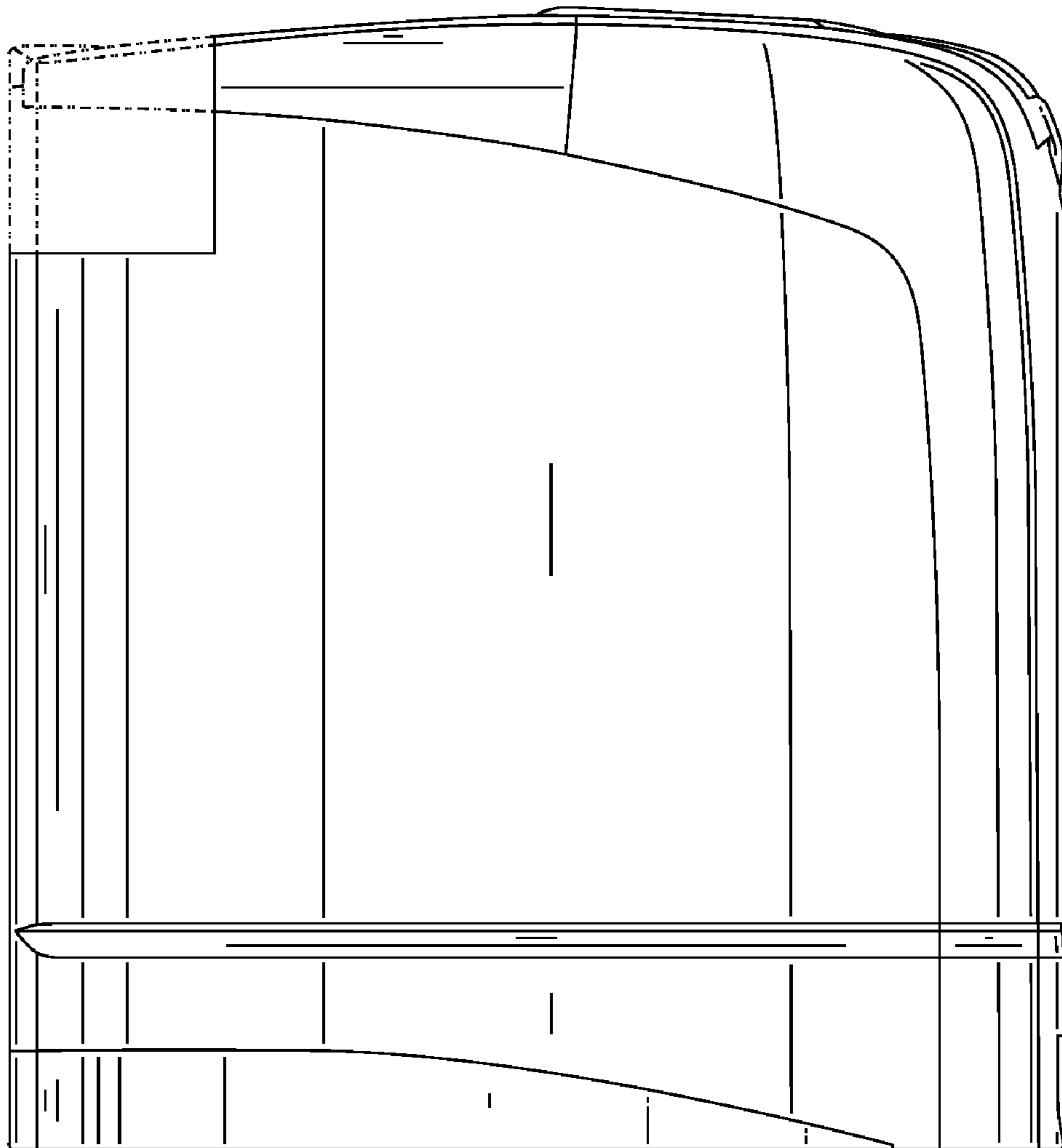


FIG. 5

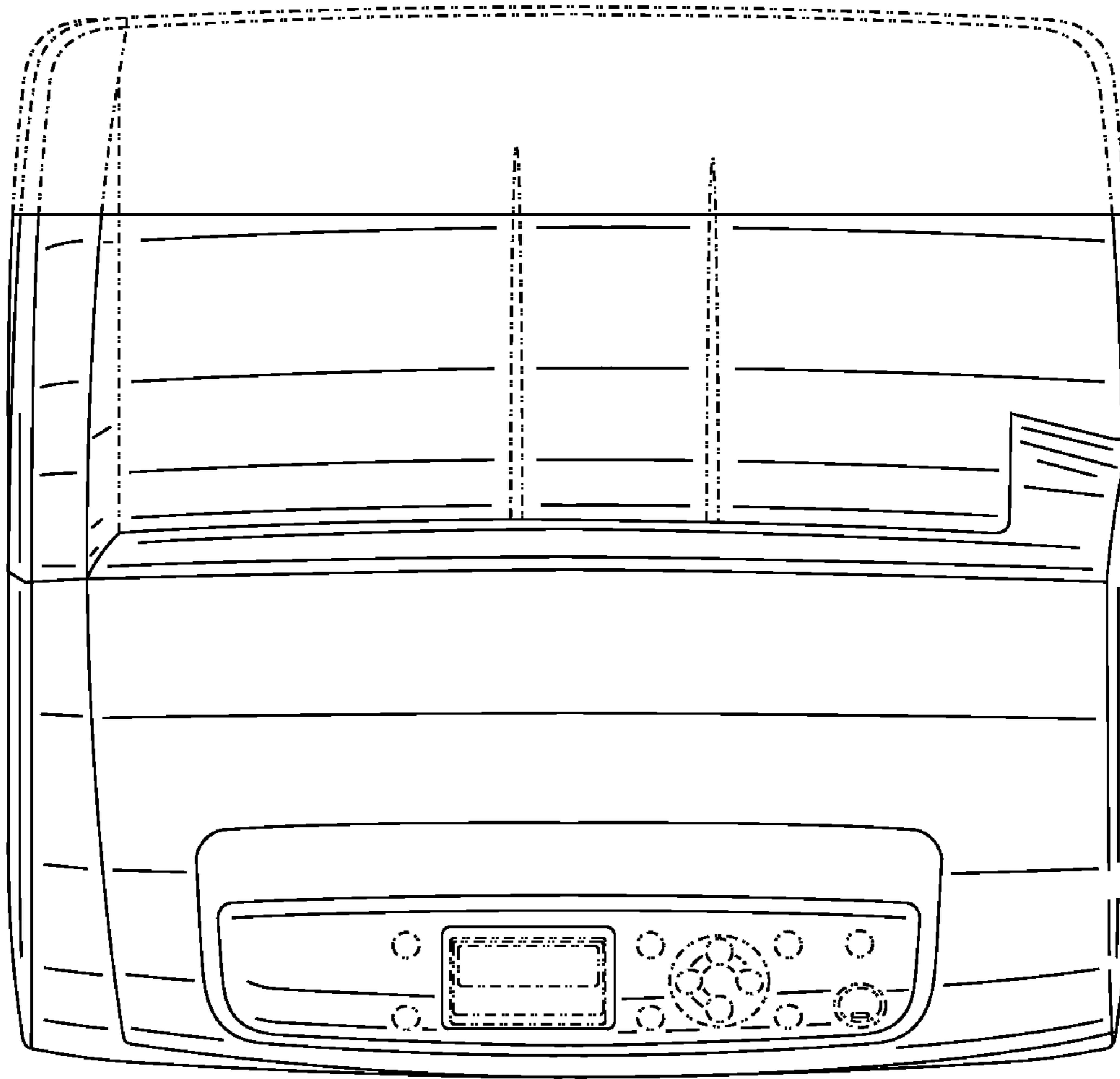


FIG. 6

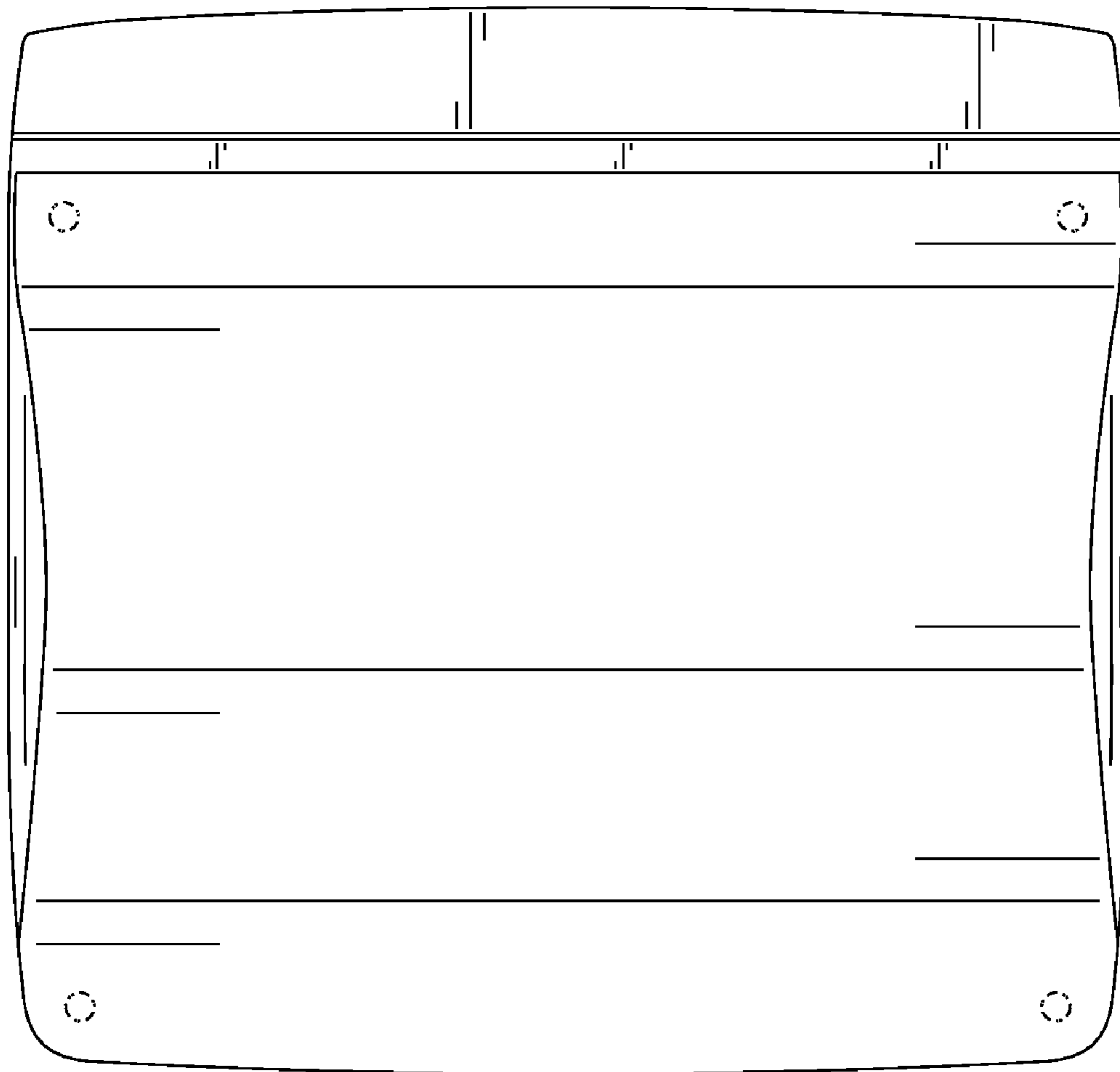


FIG. 7

UNITED STATES PATENT AND TRADEMARK OFFICE
CERTIFICATE OF CORRECTION

PATENT NO. : D634,360 S
APPLICATION NO. : 29/327355
DATED : March 15, 2011
INVENTOR(S) : Donald A. Brown et al.

Page 1 of 1

It is certified that error appears in the above-identified patent and that said Letters Patent is hereby corrected as shown below:

Title Page, (73) Assignee: delete "XEROX CORPORATION, Norwalk, CT (US)" and insert
-- FUJI XEROX COMPANY, LTD. Tokyo, Japan (JP) --.

Signed and Sealed this
Fourteenth Day of June, 2011

A handwritten signature in black ink that reads "David J. Kappos". The signature is written in a cursive, slightly slanted style.

David J. Kappos
Director of the United States Patent and Trademark Office

UNITED STATES PATENT AND TRADEMARK OFFICE
CERTIFICATE OF CORRECTION

PATENT NO. : D634,360 S
APPLICATION NO. : 29/327355
DATED : March 15, 2011
INVENTOR(S) : Donald A. Brown et al.

Page 1 of 1

It is certified that error appears in the above-identified patent and that said Letters Patent is hereby corrected as shown below:

Title Page, (73) Assignee: delete "FUJI XEROX COMPANY, LTD. Tokyo, Japan (JP)" and
insert -- XEROX CORPORATION, NORWALK CT (US) and FUJI XEROX COMPANY, LTD.
Tokyo, Japan (JP) --.

Signed and Sealed this
Twenty-fourth Day of January, 2012

A handwritten signature in black ink that reads "David J. Kappos". The signature is written in a cursive, slightly slanted style.

David J. Kappos
Director of the United States Patent and Trademark Office