



US00D634359S

(12) **United States Design Patent**  
**Park et al.**

(10) **Patent No.:** **US D634,359 S**  
(45) **Date of Patent:** **\*\* Mar. 15, 2011**

(54) **LASER COMPLEX**  
(75) Inventors: **Ji-Sang Park**, Kyunggi-do (KR);  
**Kyong-Hwan Kim**, Seoul (KR);  
**Chung-Ha Kim**, Seoul (KR)  
(73) Assignee: **Samsung Electronics Co., Ltd.**, Suwon,  
Kyunggi-do (KR)  
(\*\*) Term: **14 Years**  
(21) Appl. No.: **29/314,647**

D556,253 S 11/2007 Hong et al.  
D556,822 S 12/2007 Hong et al.  
D558,261 S 12/2007 Hong et al.  
D558,262 S 12/2007 Hong et al.  
D558,820 S 1/2008 Hong et al.  
D561,248 S 2/2008 Lee et al.  
D561,824 S 2/2008 Park et al.  
D562,378 S 2/2008 Kim et al.  
D572,716 S \* 7/2008 Kim et al. .... D14/467  
D573,178 S 7/2008 Lee et al.  
D573,179 S 7/2008 Bae et al.  
D580,483 S 11/2008 Park et al.  
D581,976 S 12/2008 Park et al.  
D584,344 S 1/2009 Lee et al.

(Continued)

(22) Filed: **Apr. 15, 2009**  
(51) **LOC (9) Cl.** ..... **14-02**  
(52) **U.S. Cl.** ..... **D18/55**  
(58) **Field of Classification Search** ..... D18/36-39,  
D18/50, 54, 54.1, 55; D14/315, 327, 420-425,  
D14/463-470; 400/613, 613.1-613.4, 690,  
400/690.1-690.4, 691-694  
See application file for complete search history.

**OTHER PUBLICATIONS**

U.S. Appl. No. 29/313,583, Applicant: Jong-Kyu Kim, et al., filed  
Jan. 23, 2009 entitled Copy Machine Attached by Function of Scan-  
ner and Printer.

(Continued)

*Primary Examiner* — Cathy Anne MacCormac  
(74) *Attorney, Agent, or Firm* — Flynn, Thiel, Boutell &  
Tanis, P.C.

(56) **References Cited**

**U.S. PATENT DOCUMENTS**

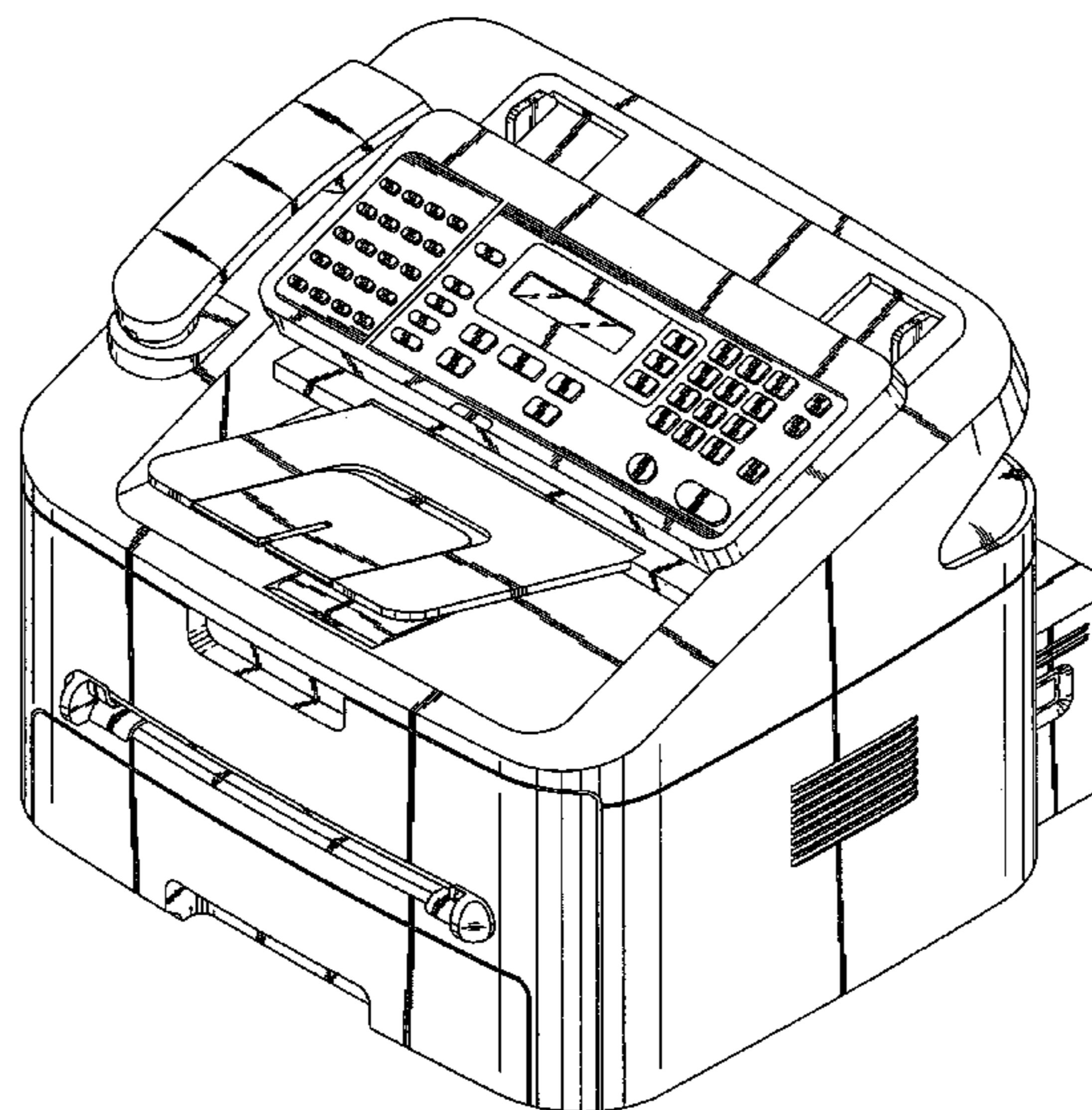
D326,867 S 6/1992 Kwak  
D359,506 S 6/1995 Lee  
D363,713 S \* 10/1995 Kanari et al. .... D14/468  
D378,218 S 2/1997 Hong et al.  
D420,998 S \* 2/2000 Leong et al. .... D14/422  
D425,884 S \* 5/2000 Miyazawa ..... D14/470  
D427,161 S \* 6/2000 Oh ..... D14/329  
D440,247 S \* 4/2001 Takimoto et al. .... D18/54  
D517,564 S \* 3/2006 Katayama et al. .... D14/468  
D520,054 S \* 5/2006 Katayama et al. .... D18/54  
D527,045 S 8/2006 Lim et al.  
D530,737 S 10/2006 Lim et al.  
D532,043 S 11/2006 Park et al.  
D536,372 S 2/2007 Lim et al.  
D551,700 S 9/2007 Park et al.  
D552,170 S 10/2007 Kim et al.  
D555,195 S 11/2007 Park et al.  
D555,722 S 11/2007 Bae et al.

(57) **CLAIM**  
The ornamental design for a laser complex, as shown and  
described.

**DESCRIPTION**

FIG. 1 is a top front perspective view of a laser complex  
showing our new design;  
FIG. 2 is a front elevational view thereof;  
FIG. 3 is a rear elevational view thereof;  
FIG. 4 is a left side elevational view thereof;  
FIG. 5 is a right side elevational view thereof;  
FIG. 6 is a top plan view thereof; and,  
FIG. 7 is a bottom plan view thereof.

**1 Claim, 7 Drawing Sheets**



# US D634,359 S

Page 2

---

## U.S. PATENT DOCUMENTS

D584,347 S 1/2009 Hong et al.  
D584,348 S 1/2009 Boo et al.  
D586,385 S 2/2009 Kim et al.  
D593,149 S 5/2009 Park et al.  
D601,185 S 9/2009 Kim et al.  
D601,186 S 9/2009 Kim et al.  
D607,502 S 1/2010 Lee et al.  
D607,506 S 1/2010 Kim et al.  
D607,925 S 1/2010 Morrison et al.  
D607,927 S 1/2010 Kim et al.  
D607,928 S 1/2010 Kim et al.

## OTHER PUBLICATIONS

U.S. Appl. No. 29/313,861, Applicant: Hee-Yul Kim, filed Feb. 17, 2009 entitled Copy Machine Attached by Function of Scanner and Printer.

U.S. Appl. No. 29/314,203, Applicant: Ji-Sang Park, et al., filed Mar. 13, 2009 entitled Laser Printer.

U.S. Appl. No. 29/314,642, Applicant: Ji-Sang Park, et al., filed Apr. 15, 2009 entitled Laser Printer.

\* cited by examiner

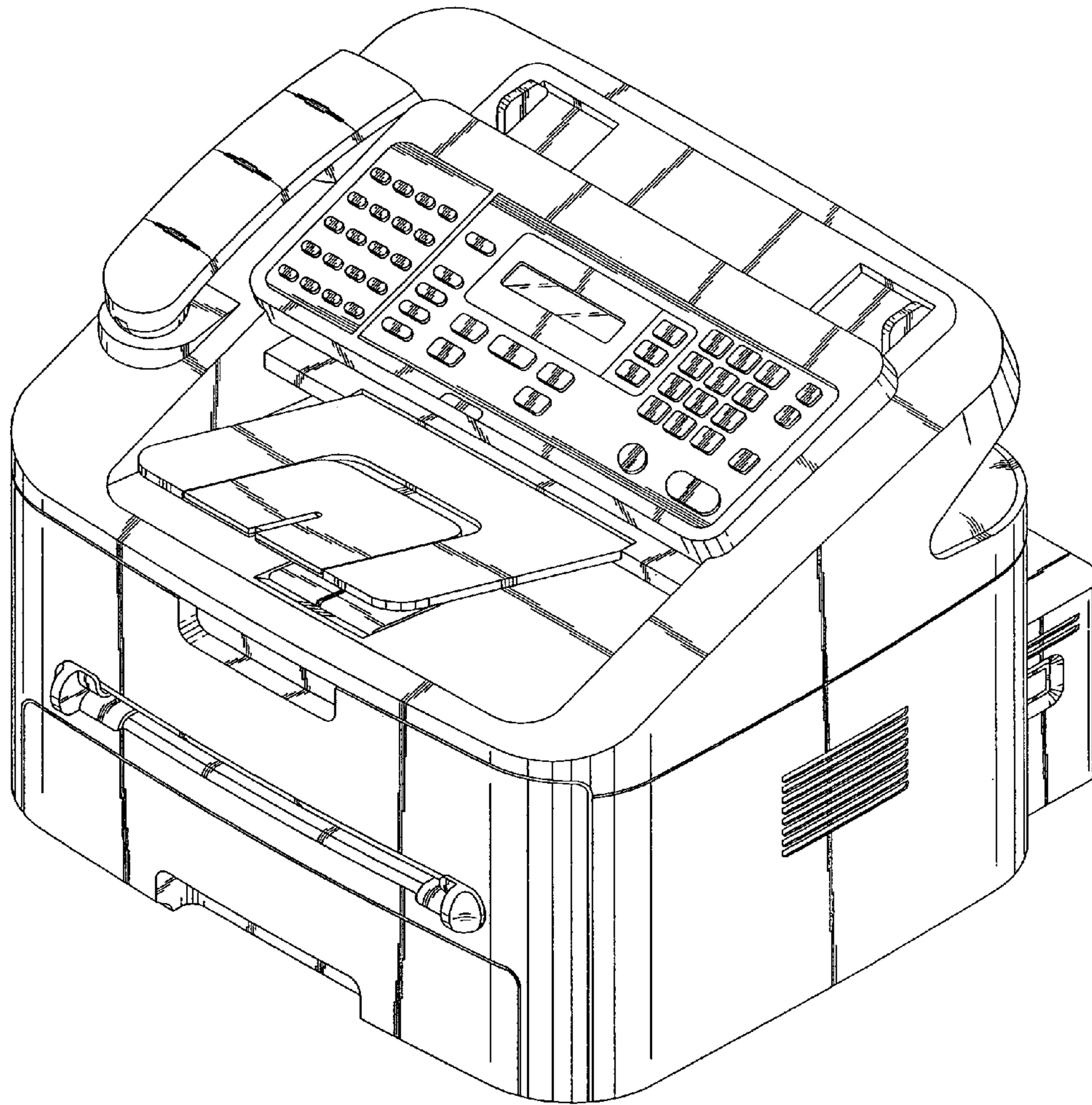


FIG. 1

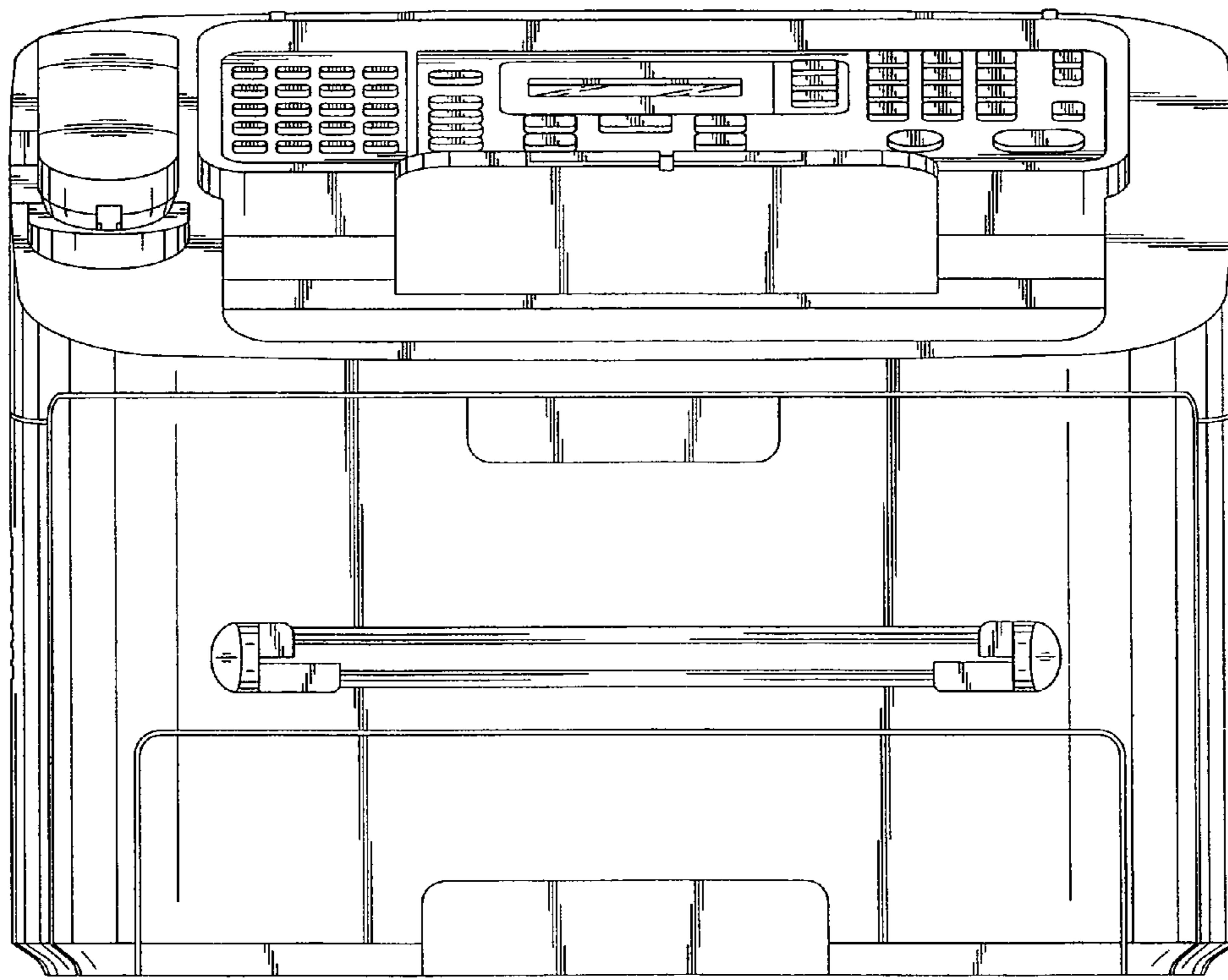


FIG. 2



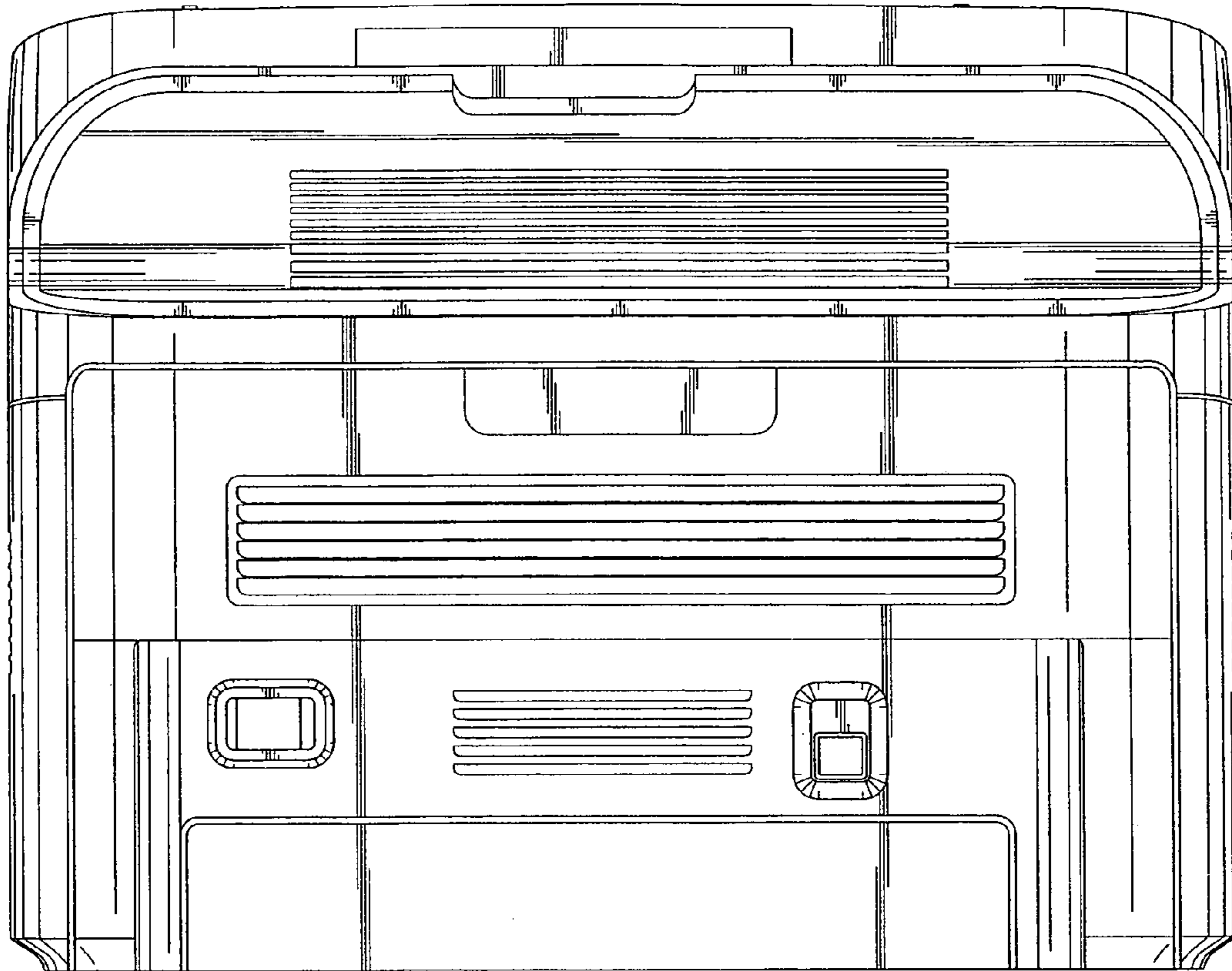


FIG. 3

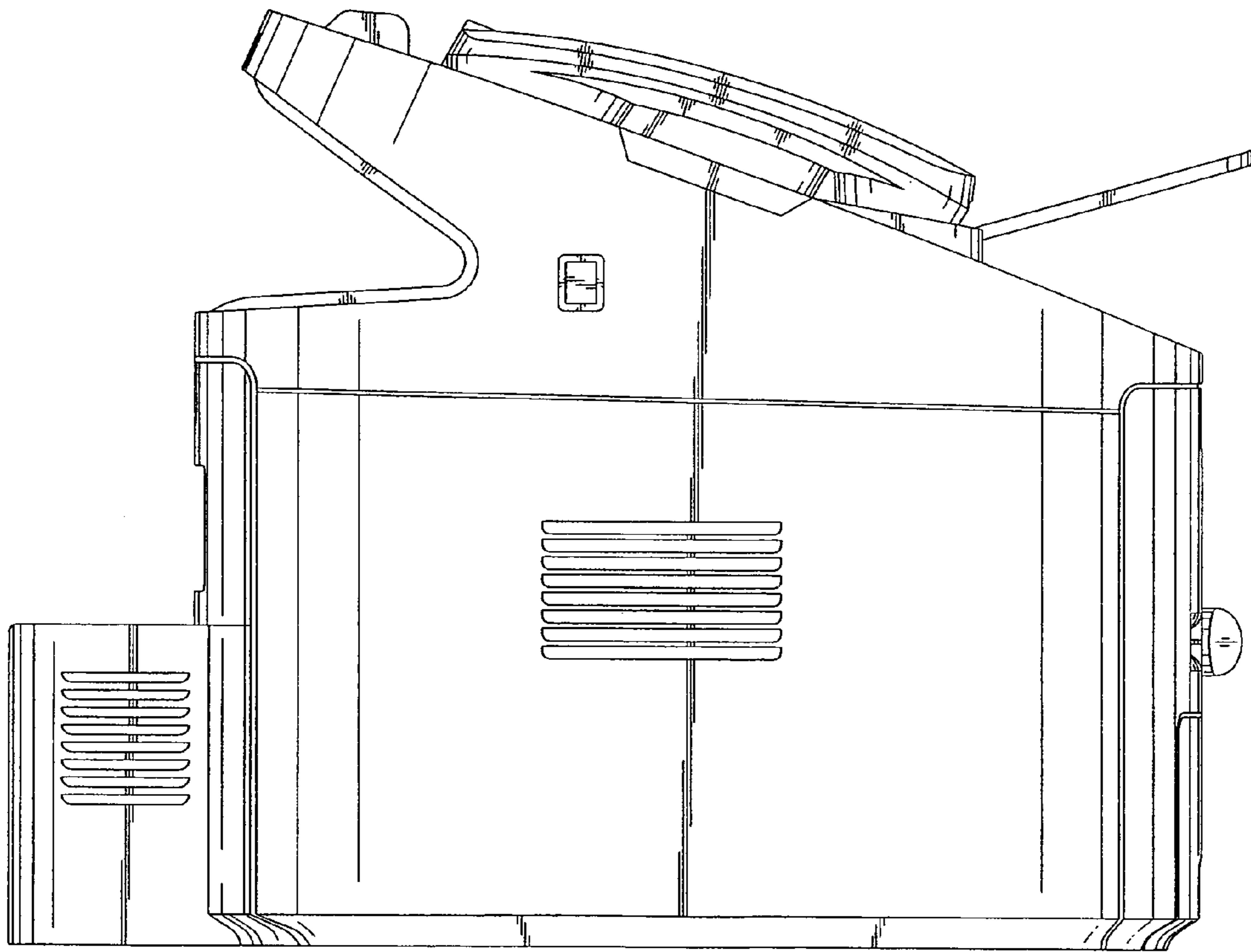


FIG. 4

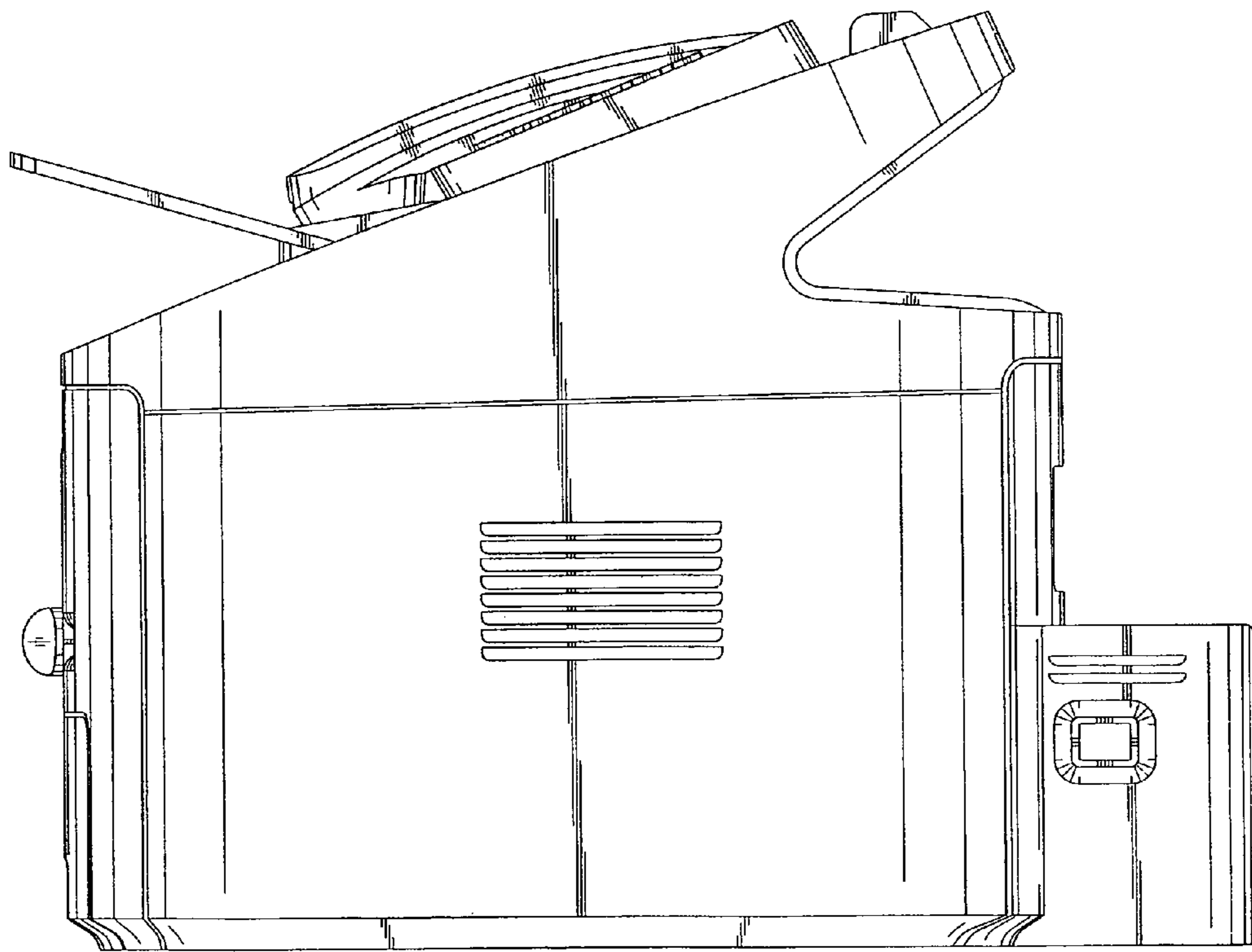


FIG. 5

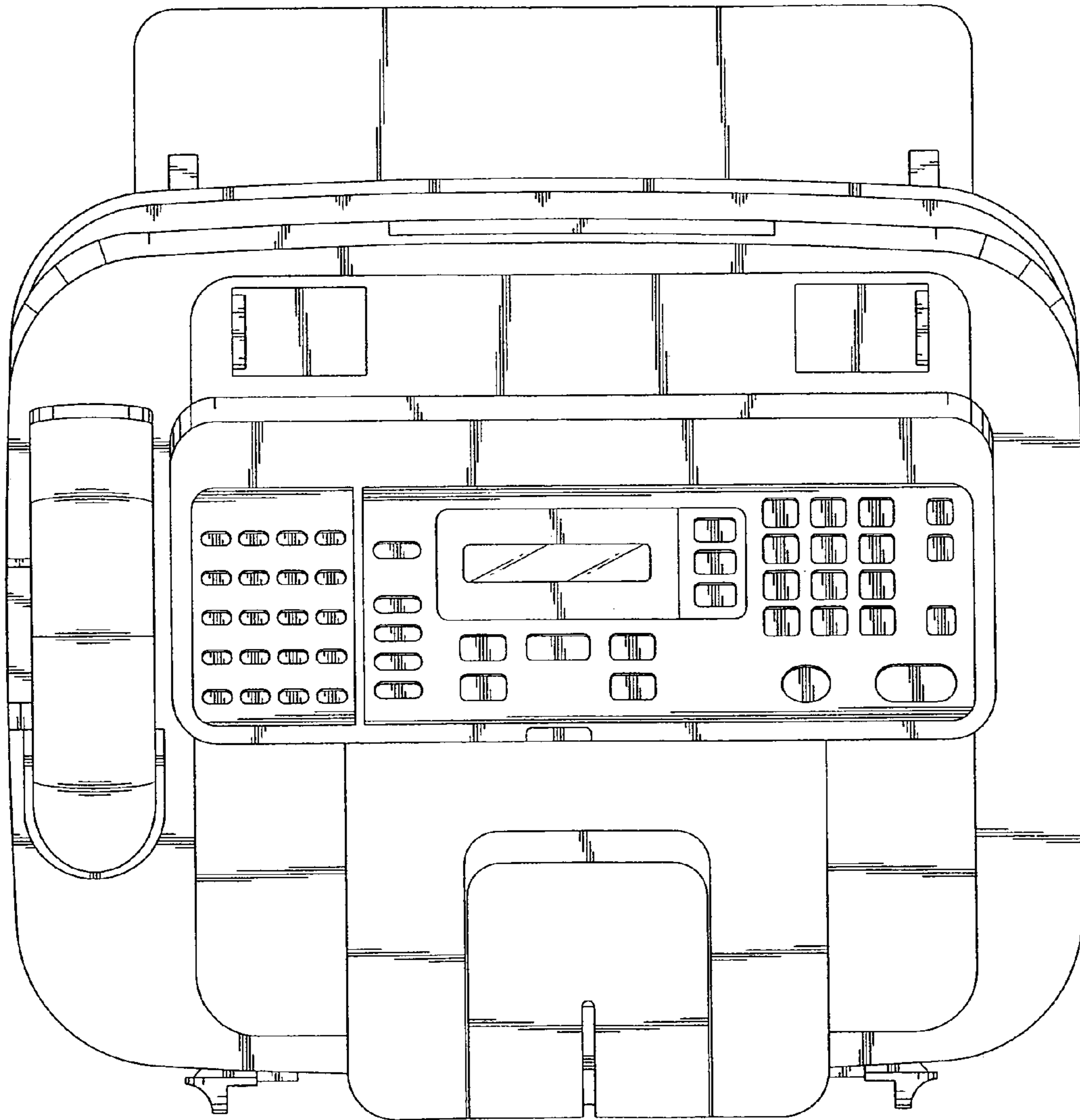


FIG. 6



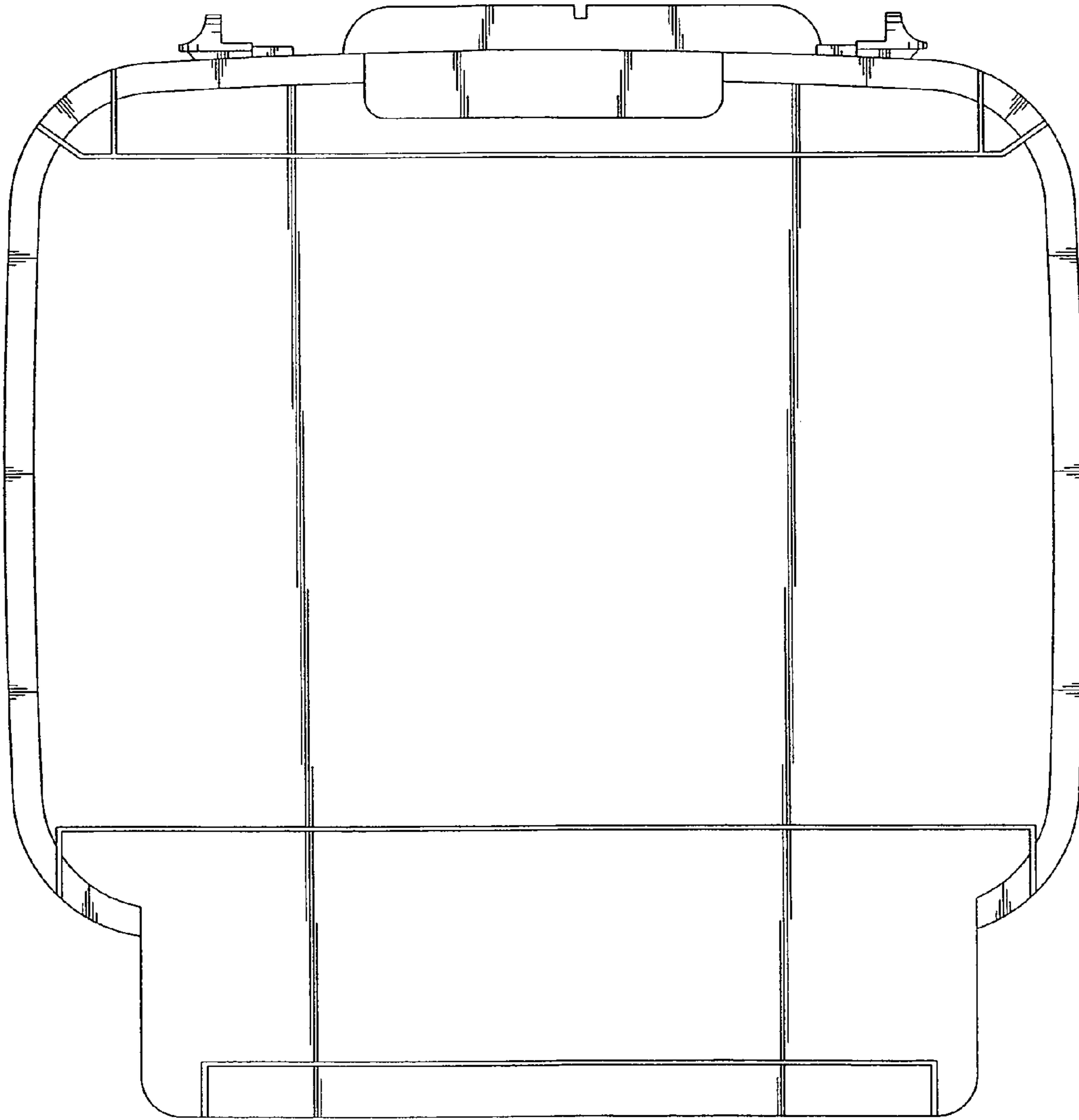


FIG. 7