



US00D634358S

(12) **United States Design Patent**
Yoshioka et al.

(10) **Patent No.:** **US D634,358 S**

(45) **Date of Patent:** **** Mar. 15, 2011**

(54) **PRINTER**

(75) Inventors: **Ichiro Yoshioka**, Suwa (JP); **Kenji Yanagisawa**, Suwa (JP); **Hiroto Miyauchi**, Suwa (JP); **Tomoyuki Mokuo**, Suwa (JP); **Hidenori Harada**, Suwa (JP)

(73) Assignee: **Seiko Epson Corporation** (JP)

(**) Term: **14 Years**

(21) Appl. No.: **29/316,284**

(22) Filed: **Sep. 10, 2009**

(30) **Foreign Application Priority Data**

May 19, 2009 (JP) 2009-011110

(51) **LOC (9) Cl.** **14-02**

(52) **U.S. Cl.** **D18/50**

(58) **Field of Classification Search** D18/36-39, D18/50, 54, 54.1, 55; D14/315, 327, 420-425, D14/463-470; 400/613, 613.1-613.4, 690, 400/690.1-690.4, 691-694

See application file for complete search history.

(56) **References Cited**

U.S. PATENT DOCUMENTS

D295,863 S *	5/1988	Sacherman	D14/371
D306,582 S *	3/1990	Miyahara et al.	D14/126
D324,040 S *	2/1992	Saito et al.	D14/126
D336,637 S *	6/1993	Abe et al.	D14/337
D383,733 S *	9/1997	Mieki	D14/336
D396,214 S *	7/1998	Lemke et al.	D14/336
D410,464 S *	6/1999	Hakoda	D14/501
D412,900 S *	8/1999	Utsugi	D14/132
D421,001 S *	2/2000	Miyashita	D14/496
D466,551 S *	12/2002	Nagai	D18/50
D507,023 S *	7/2005	Simonetti et al.	D21/369
D516,121 S *	2/2006	Suzuki et al.	D18/55
D518,095 S *	3/2006	Suzuki et al.	D18/55

D518,852 S *	4/2006	Suzuki et al.	D18/55
D519,551 S *	4/2006	Suzuki et al.	D18/55
D526,352 S *	8/2006	Suzuki et al.	D18/55
D528,147 S *	9/2006	Ono	D18/4.5
D562,883 S *	2/2008	Inoue et al.	D18/50
D582,974 S *	12/2008	Inoue et al.	D18/50
D607,947 S *	1/2010	Antonopoulos et al.	D21/369

* cited by examiner

Primary Examiner — Cathy Anne MacCormac

(74) *Attorney, Agent, or Firm* — Harness, Dickey & Pierce, P.L.C.

(57) **CLAIM**

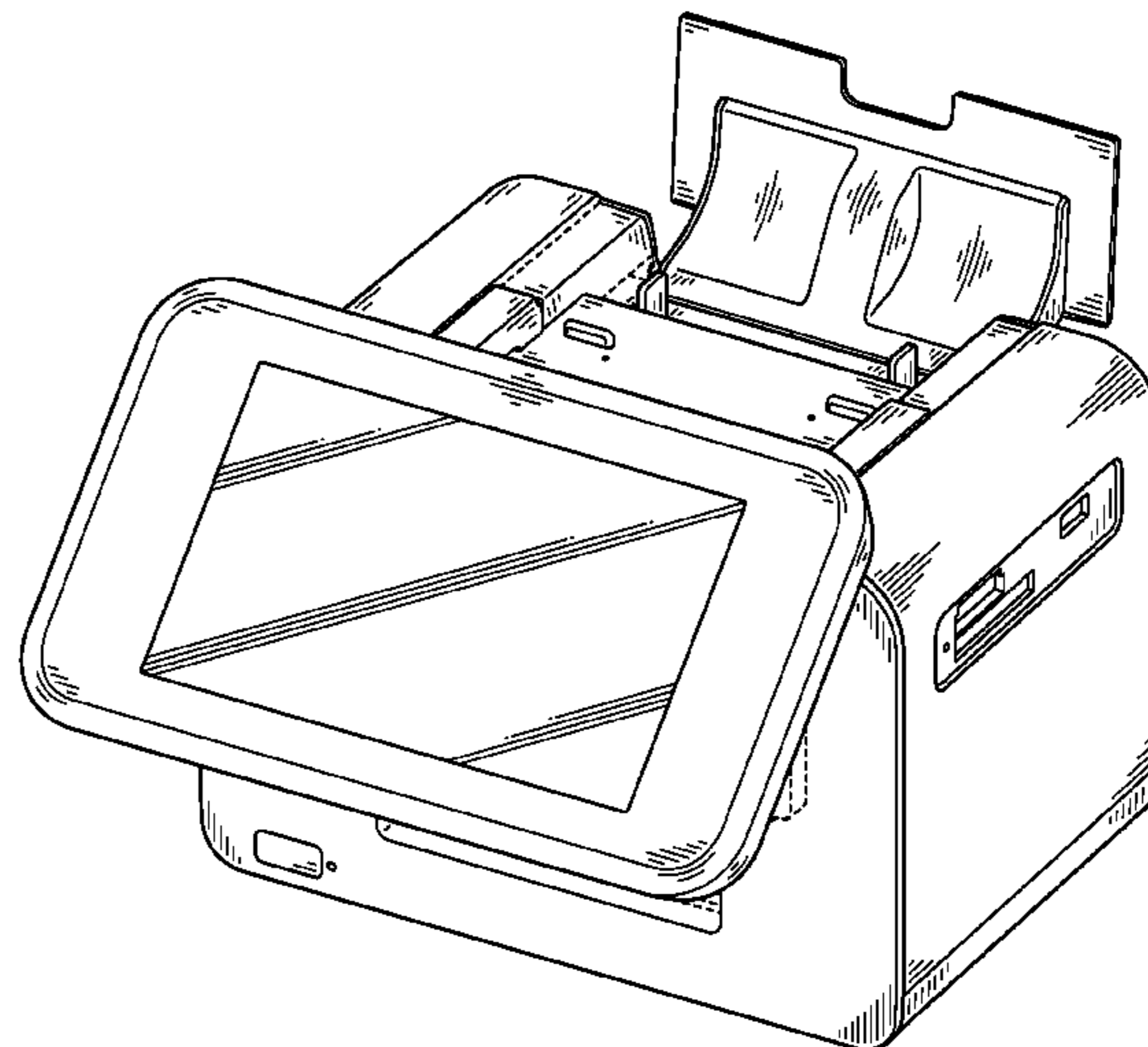
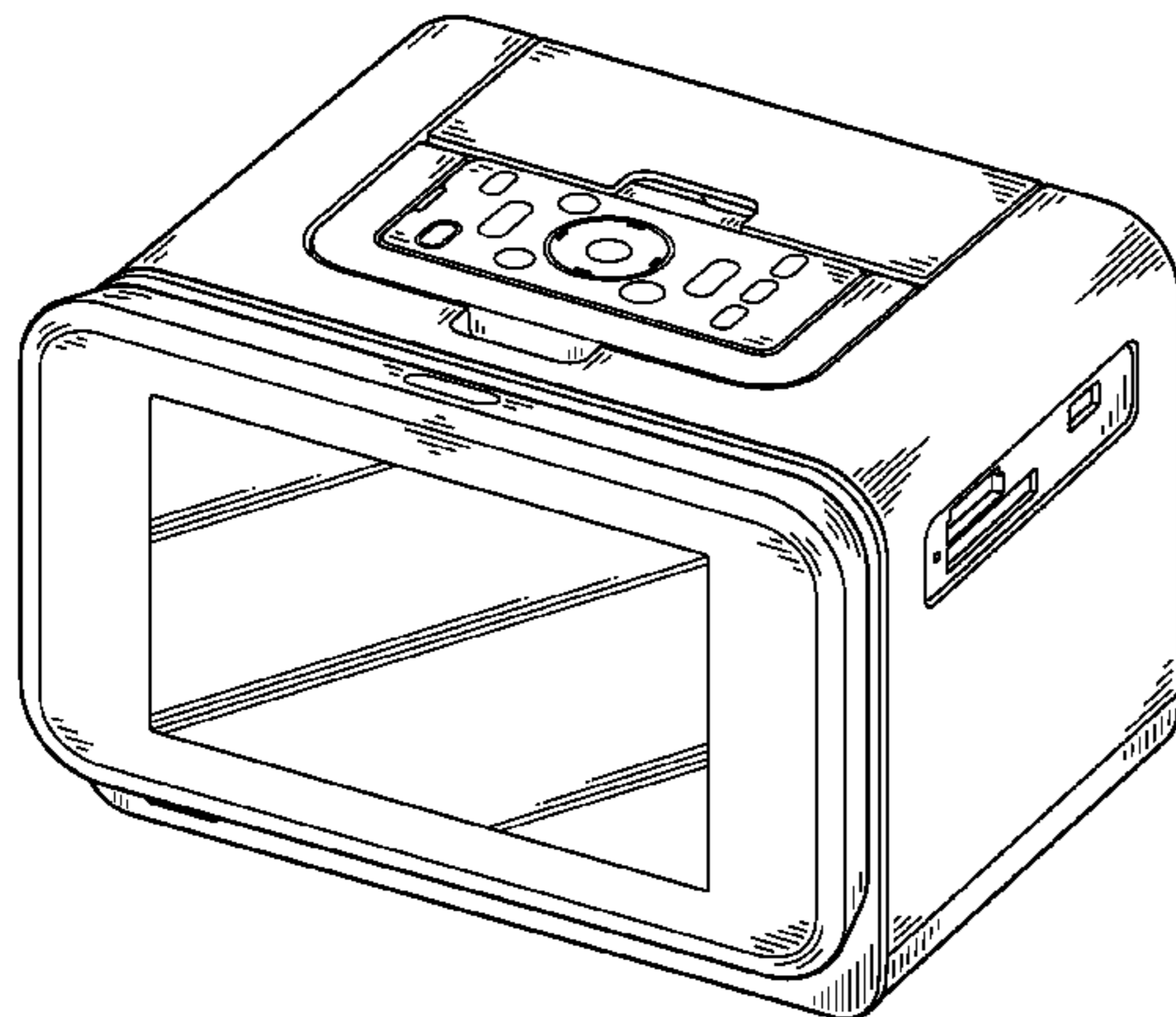
The ornamental design for a printer, as shown and described.

DESCRIPTION

FIG. 1 is a perspective view of a printer embodying our new design, with the remote control shown in an upright position; FIG. 2 is a front view of the design shown in FIG. 1; FIG. 3 is a rear view of the design shown in FIG. 1; FIG. 4 is a left side view of the design shown in FIG. 1; FIG. 5 is a right side view of the design shown in FIG. 1; FIG. 6 is a top view of the design shown in FIG. 1; FIG. 7 is a bottom view of the design shown in FIG. 1; FIG. 8 is a perspective view thereof, similar to FIG. 1 but illustrating the front panel and top rear paper support in tilted positions; FIG. 9 is a front view of the design shown in FIG. 8; FIG. 10 is a rear view of the design shown in FIG. 8; FIG. 11 is a left side view of the design shown in FIG. 8; FIG. 12 is a right side view of the design shown in FIG. 8; FIG. 13 is a top view of the design shown in FIG. 8; FIG. 14 is a bottom view of the design shown in FIG. 8; and, FIG. 15 is a perspective view thereof, similar to FIG. 1 but illustrating the handle in a tilted position and the remote control in an upside-down position.

The broken lines are for illustrative purposes only and do not form part of the claimed design.

1 Claim, 10 Drawing Sheets



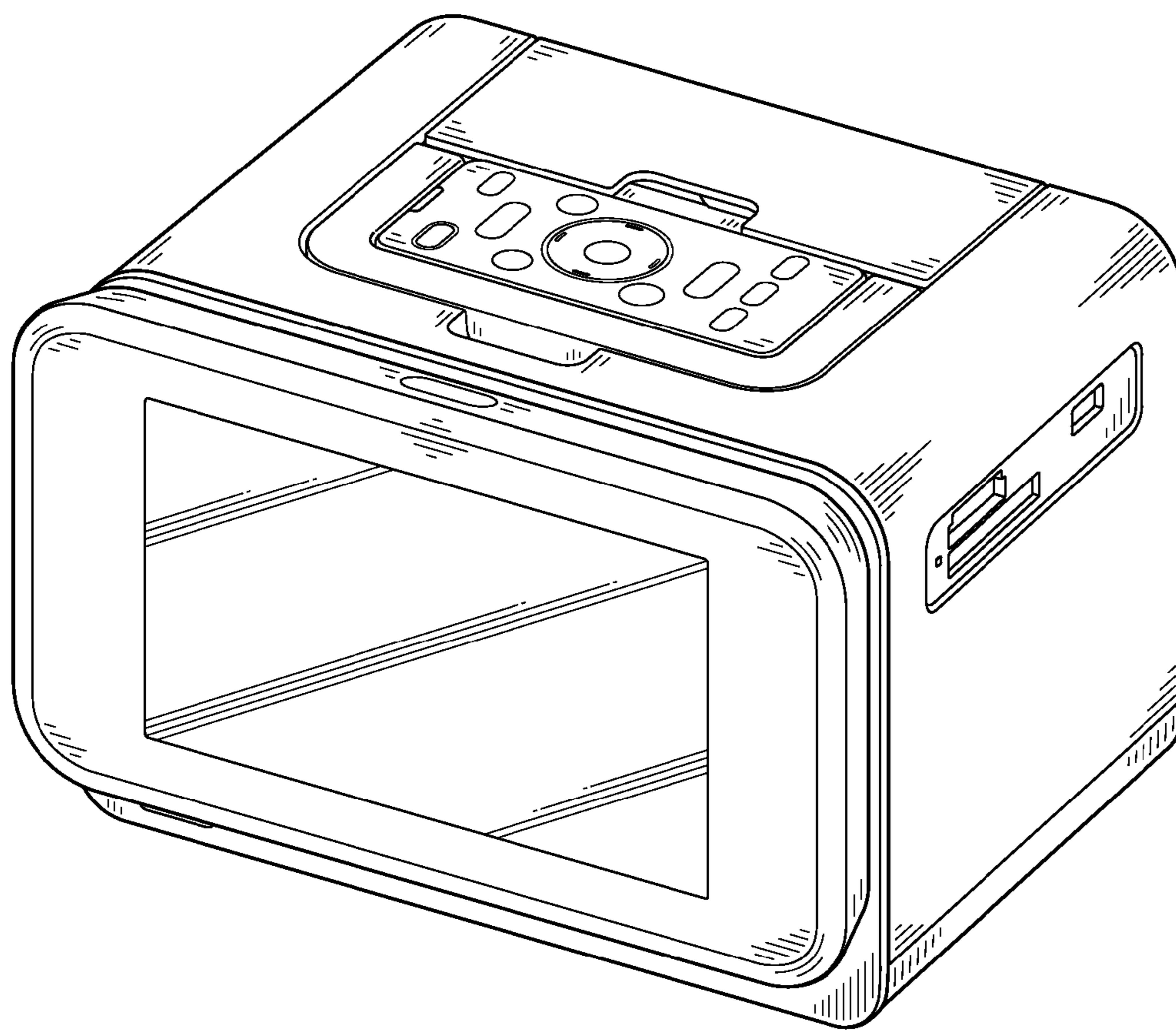


FIG. 1

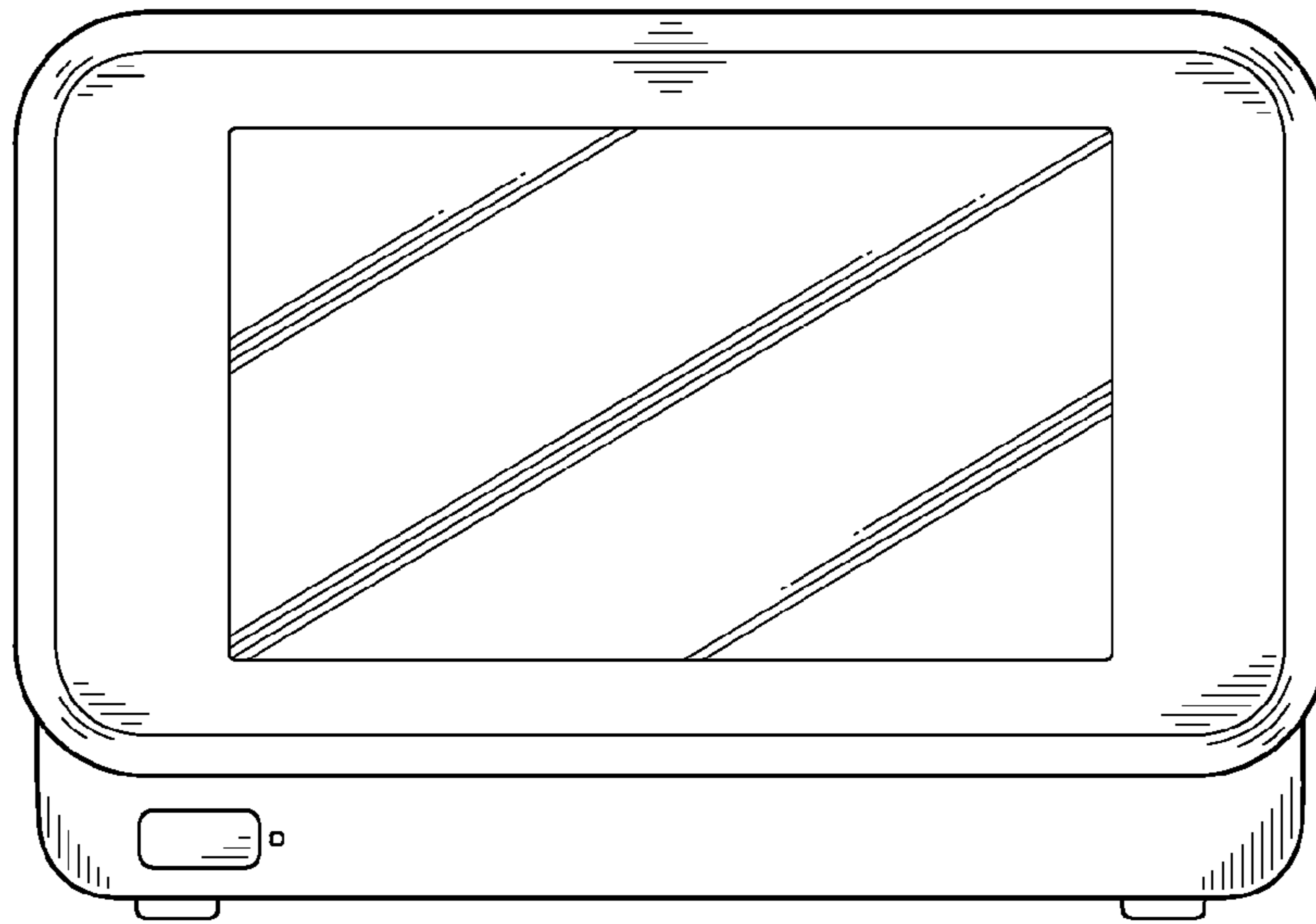


FIG. 2

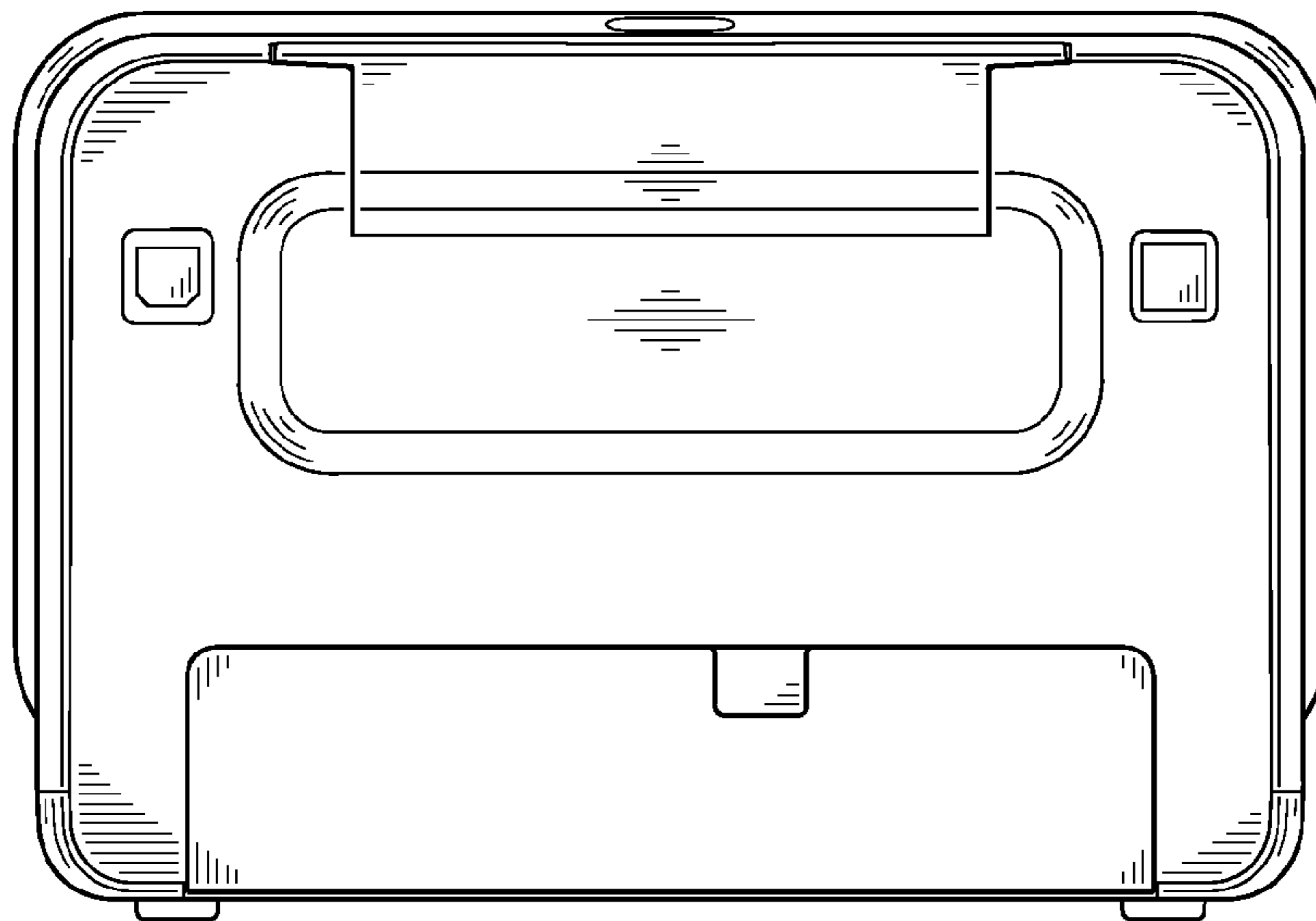


FIG. 3

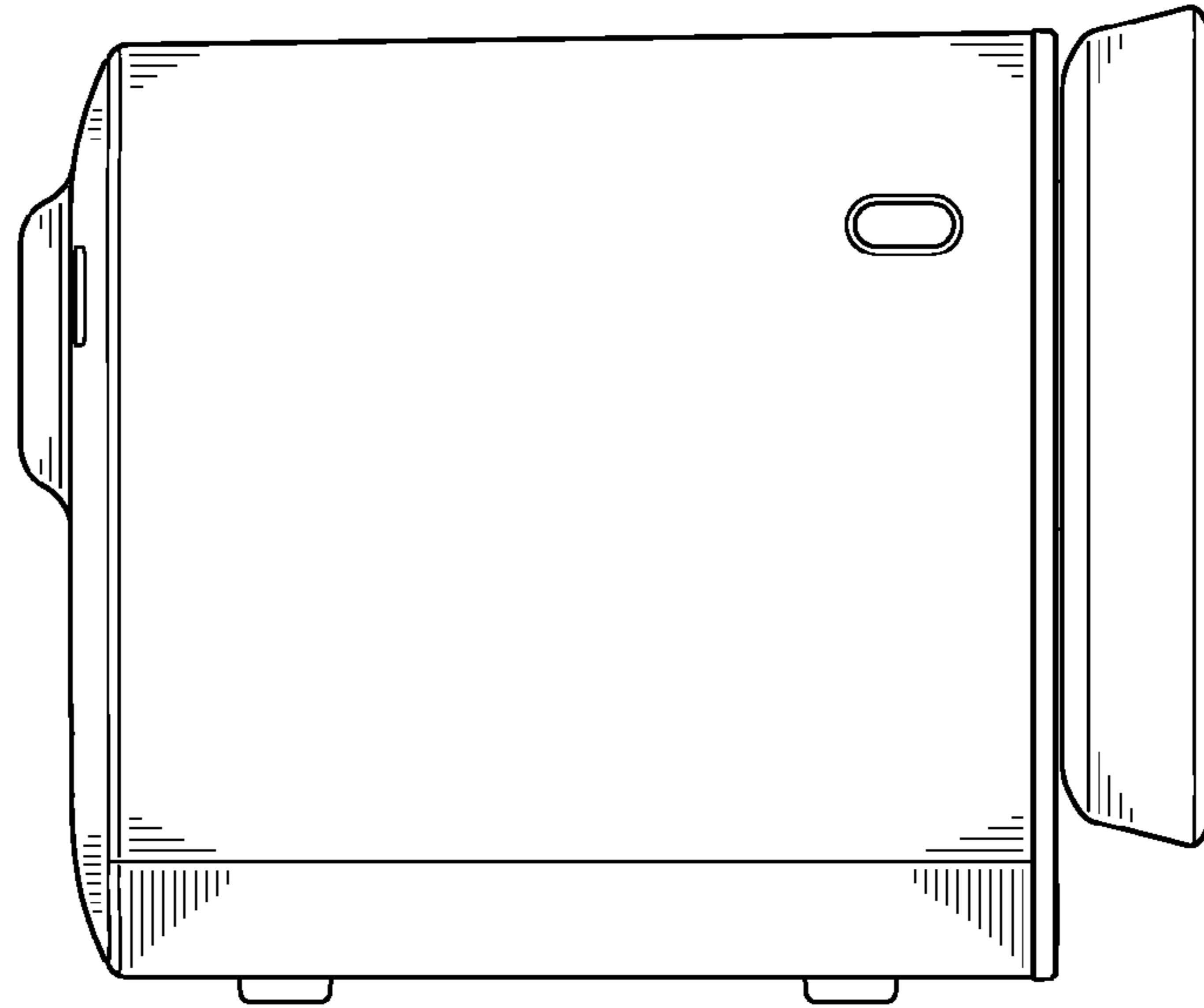


FIG. 4

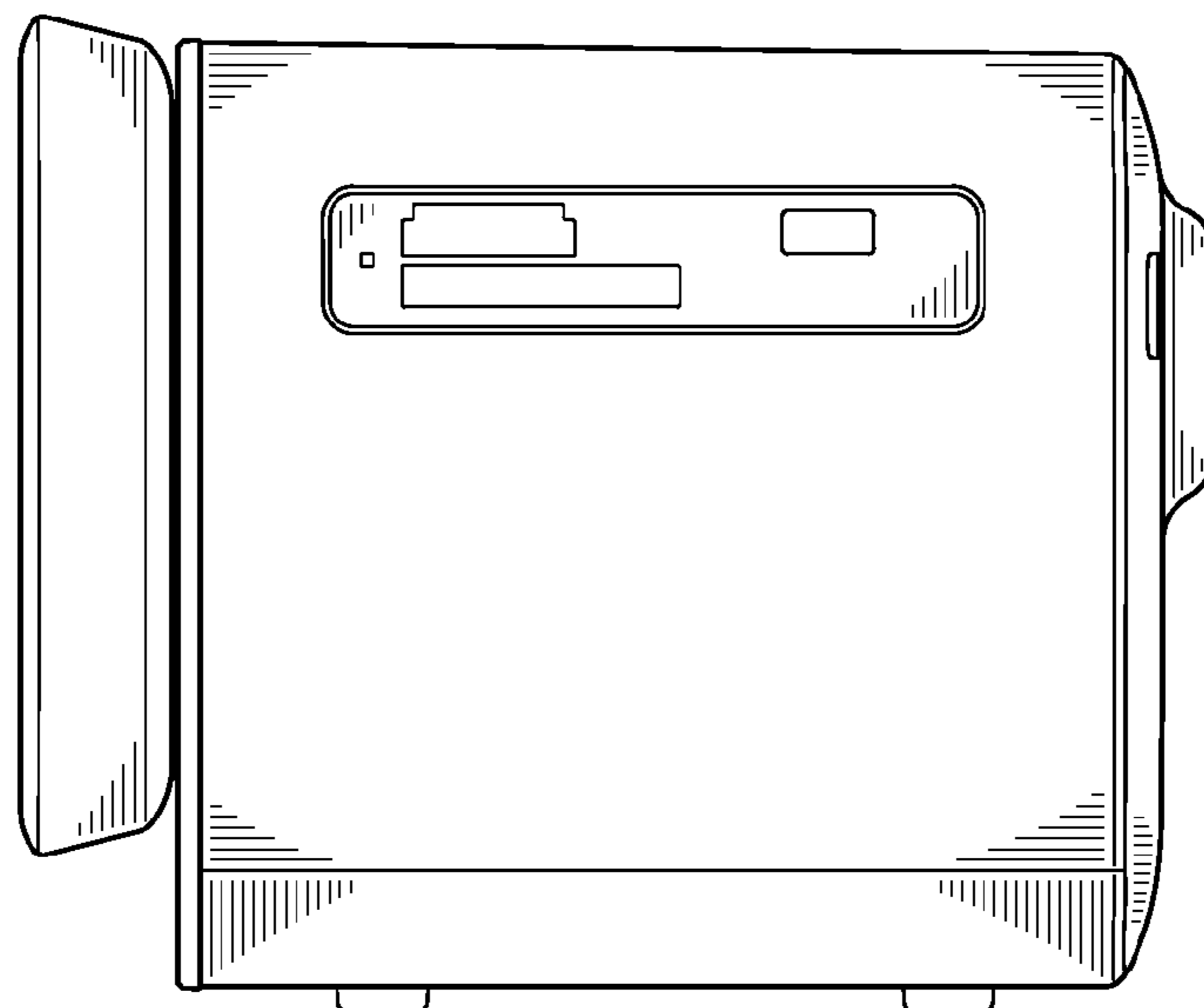


FIG. 5

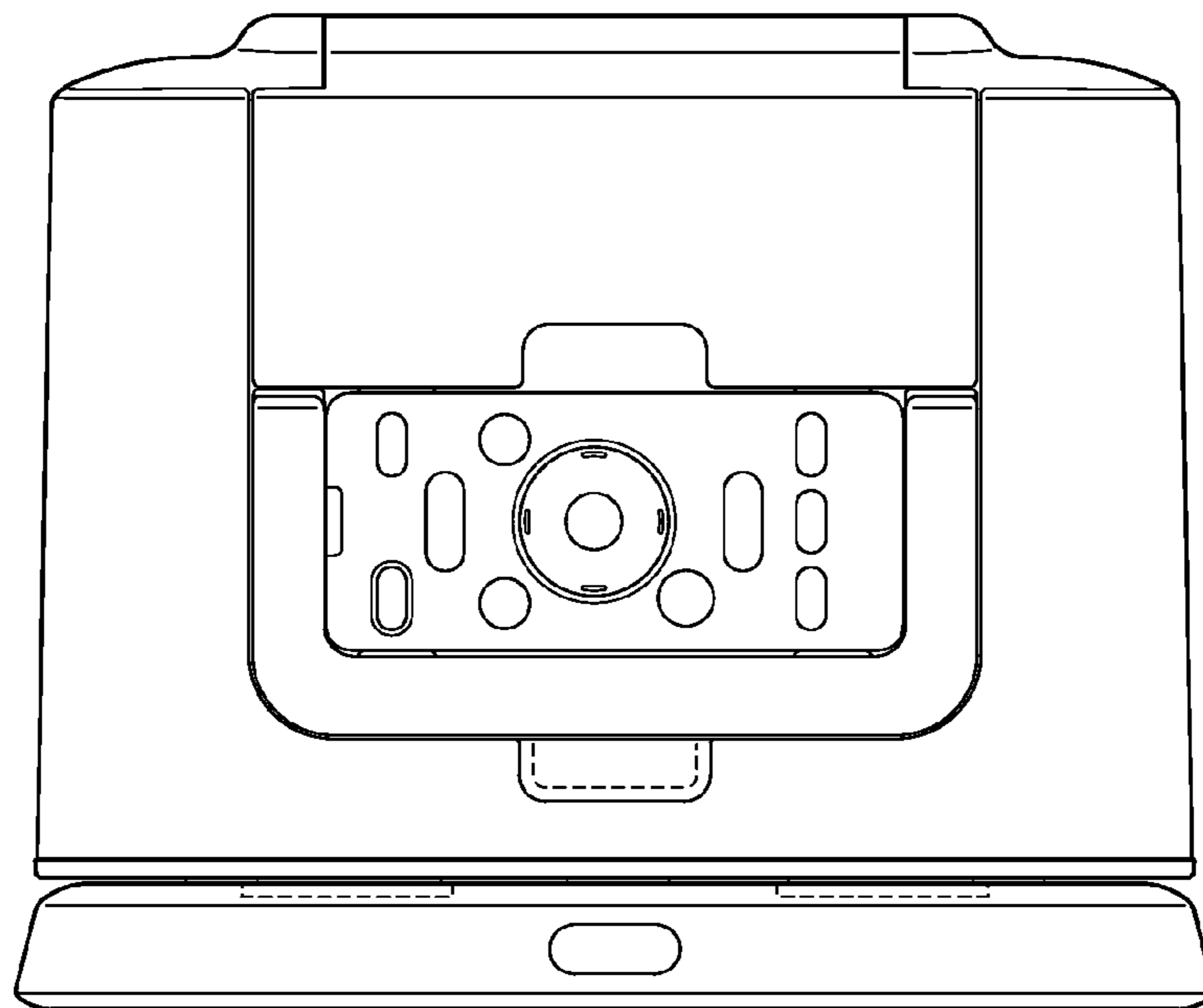


FIG. 6

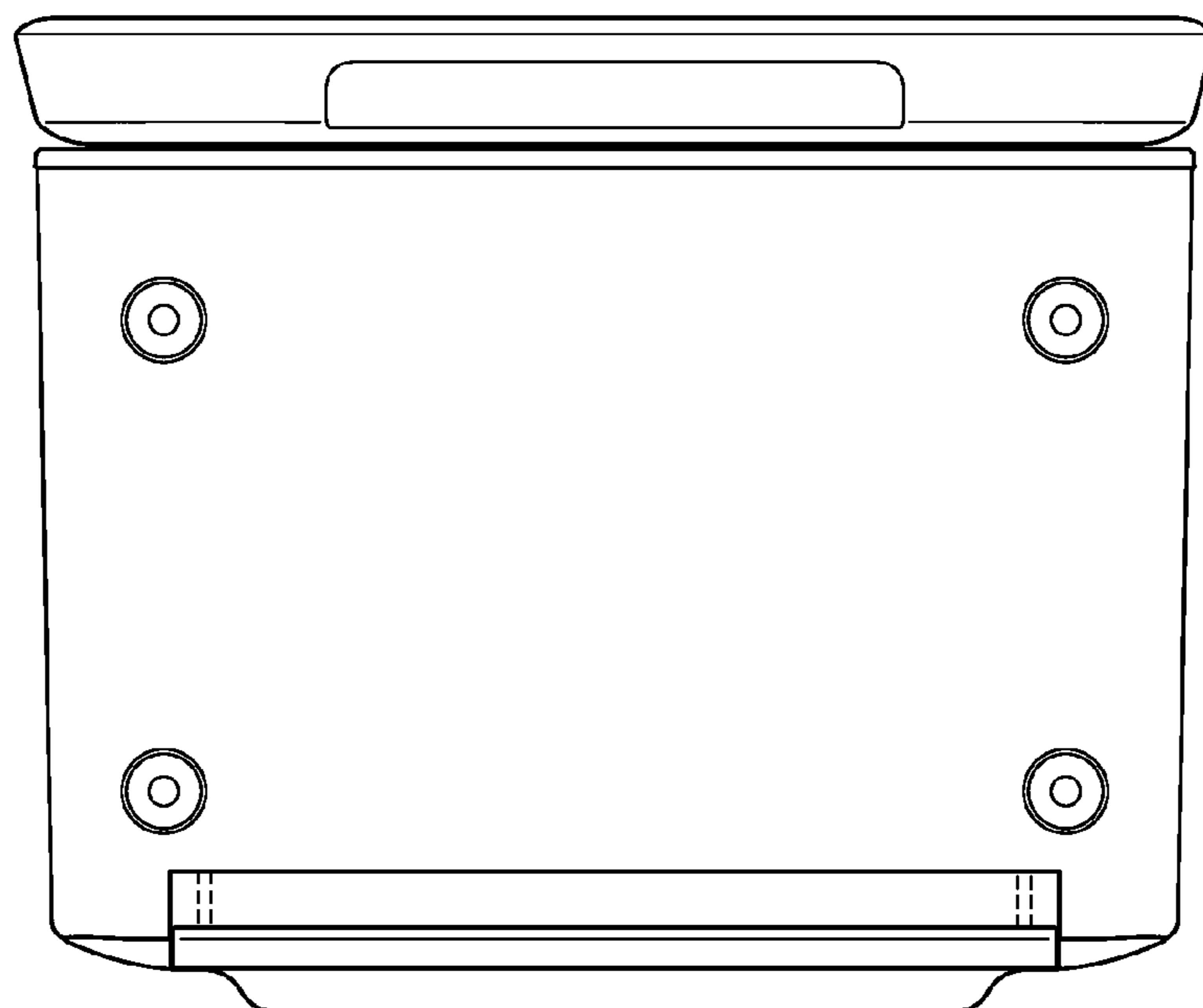


FIG. 7

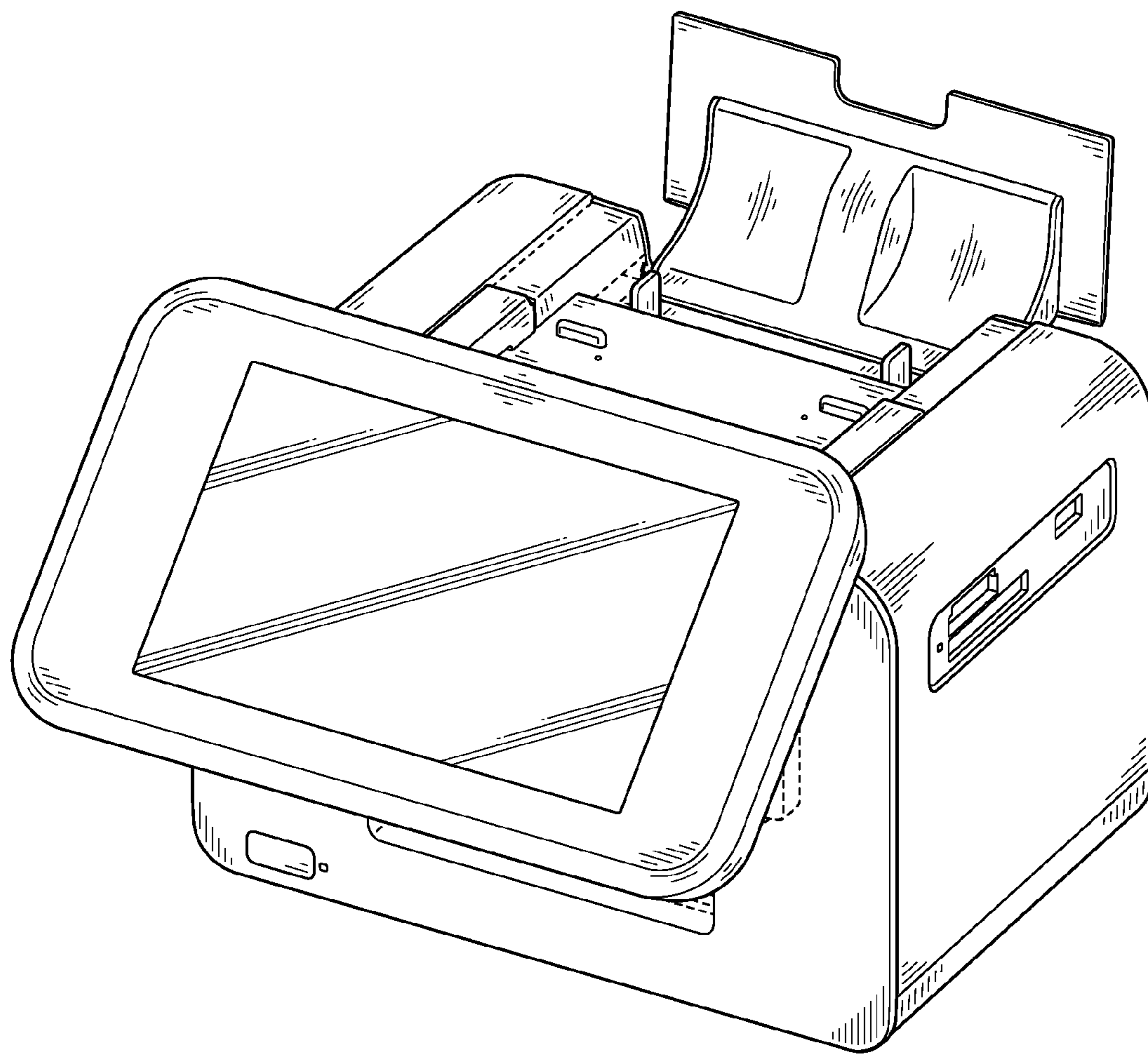


FIG. 8

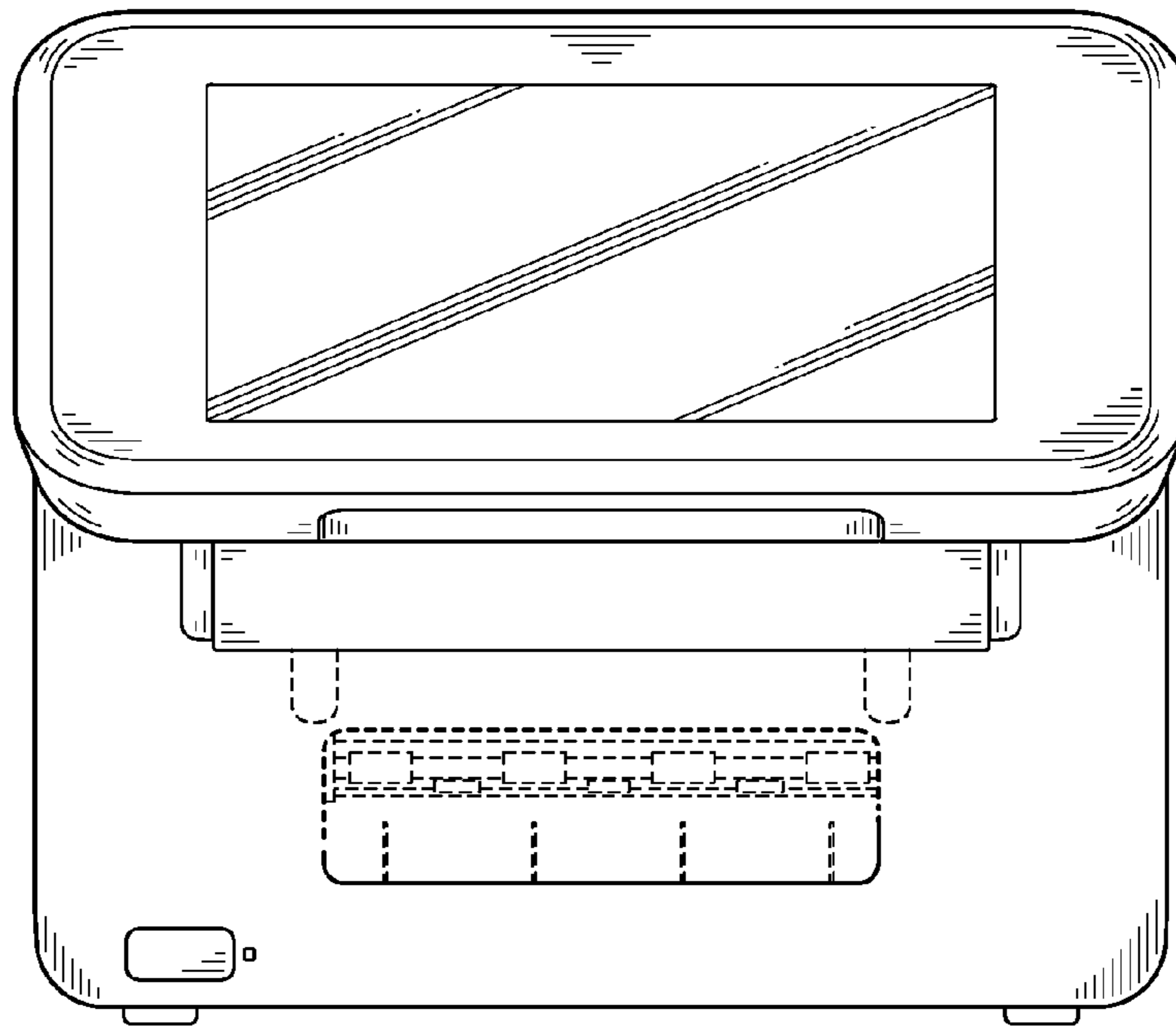


FIG. 9

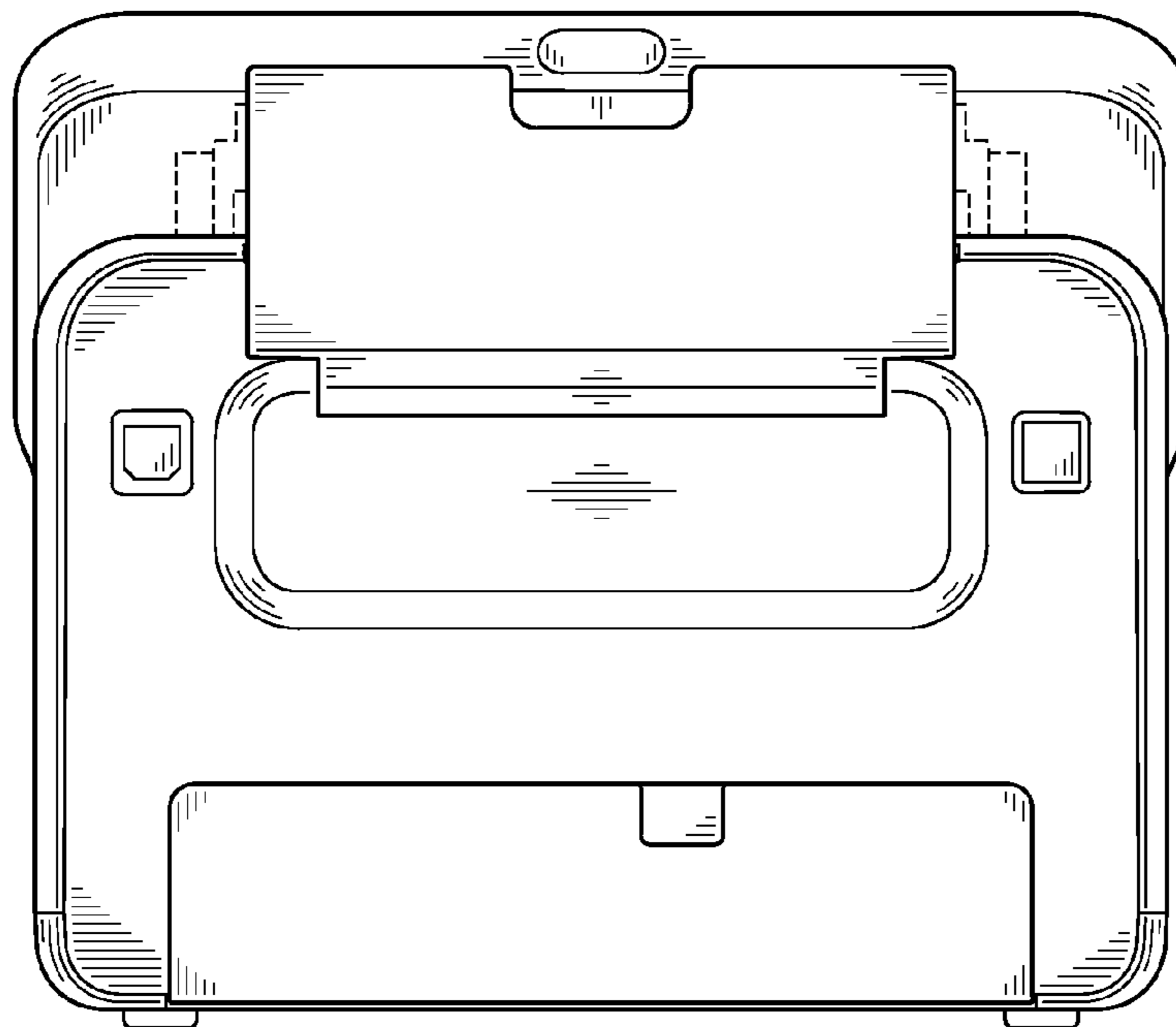


FIG. 10

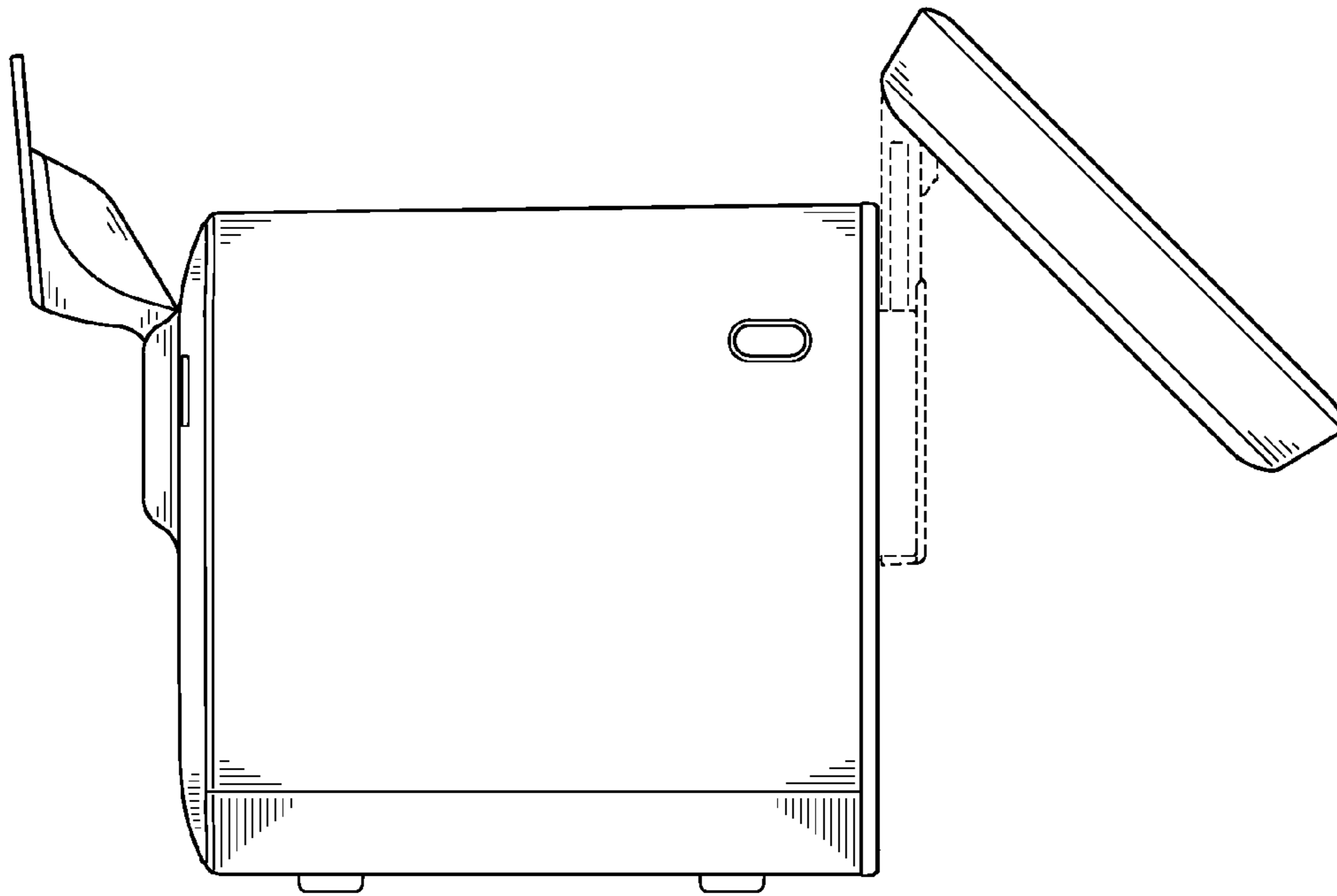


FIG. 11

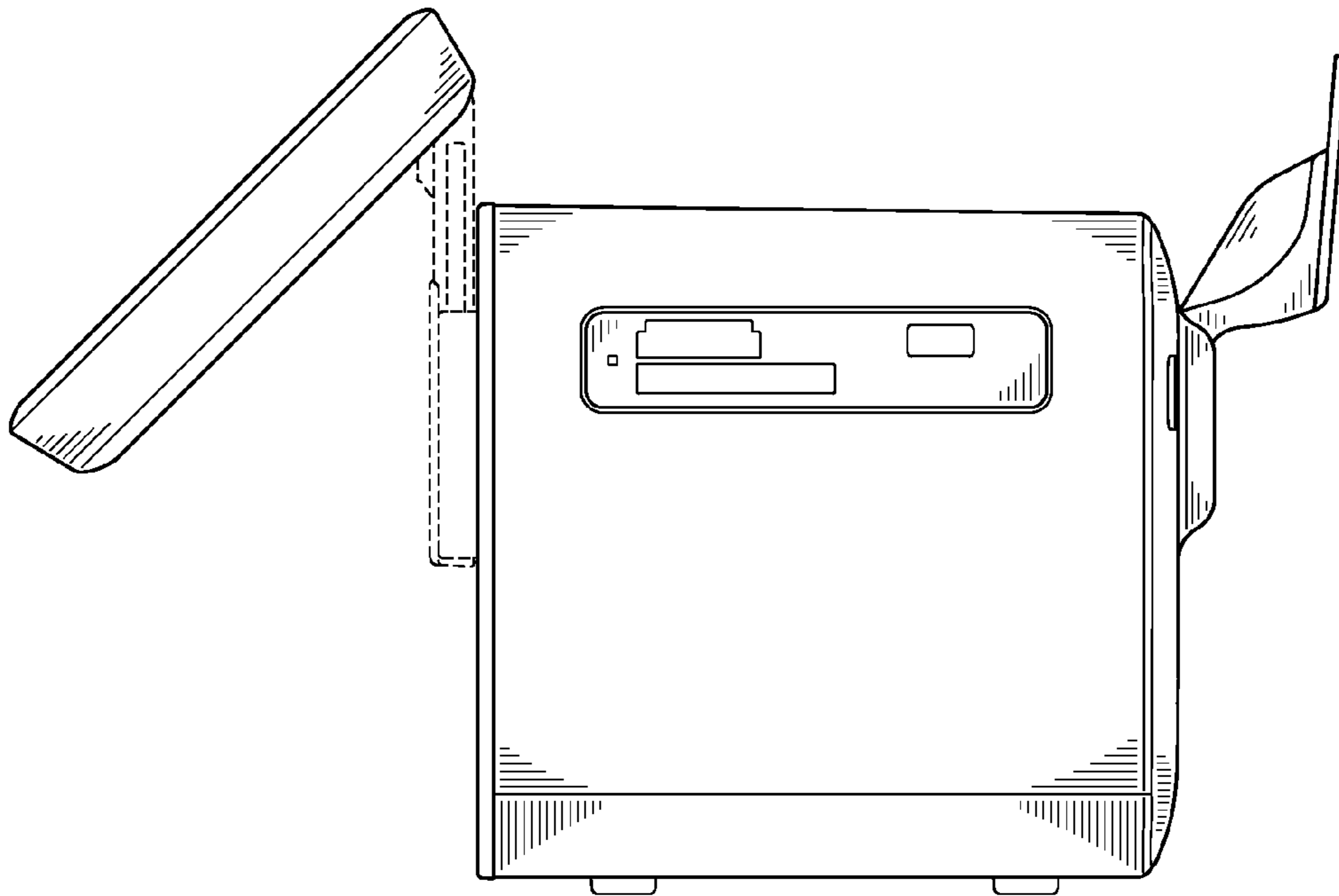


FIG. 12

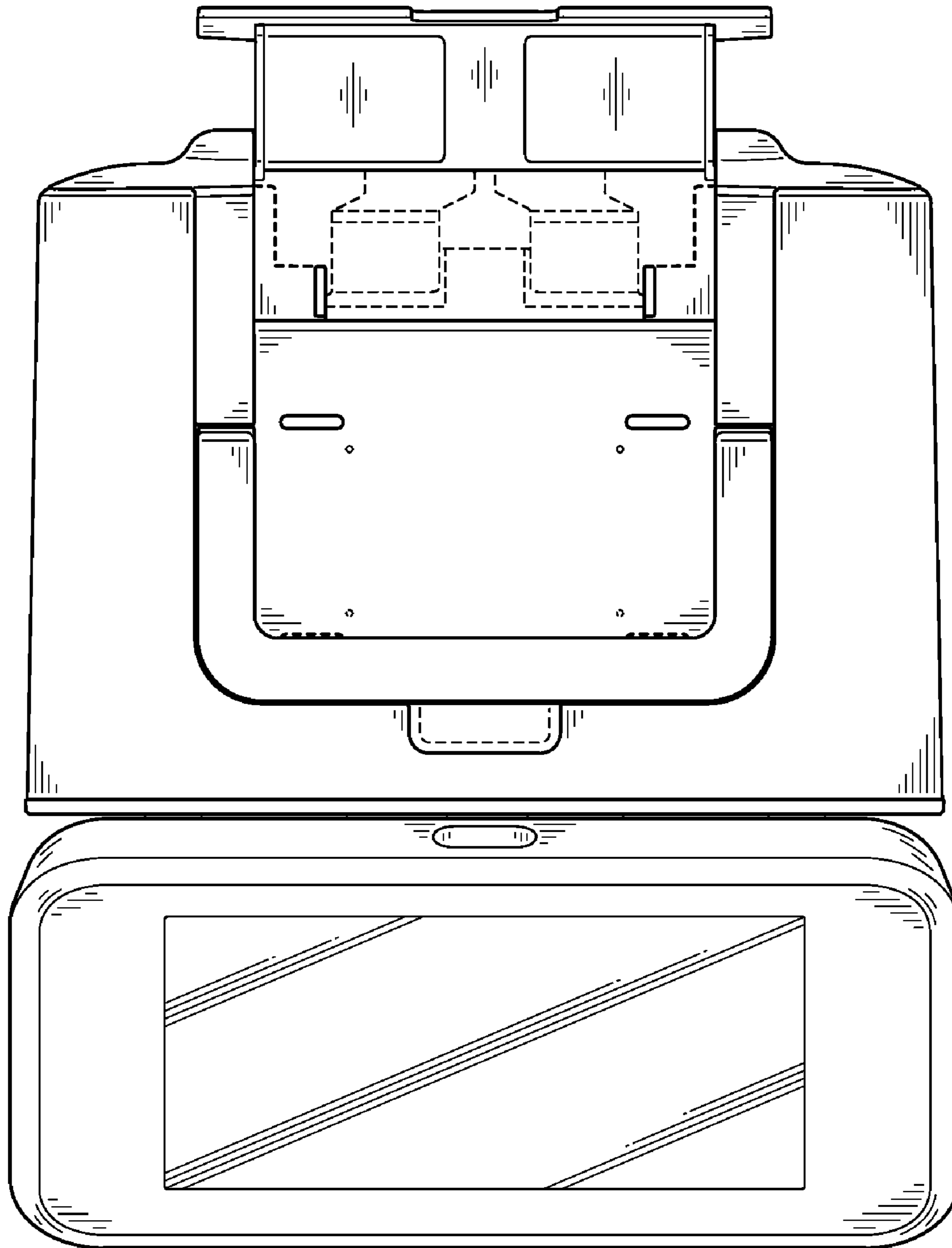


FIG.13

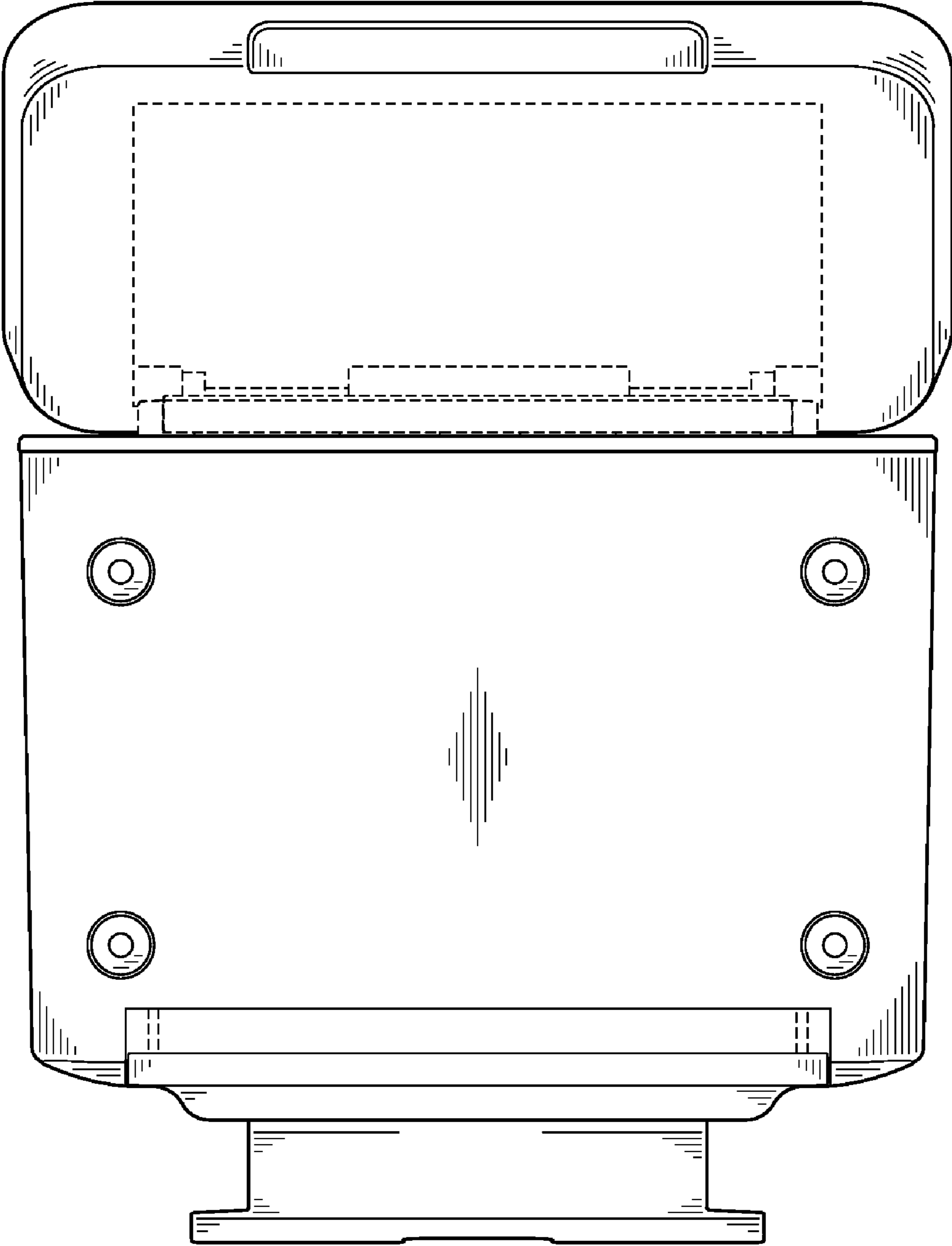


FIG.14

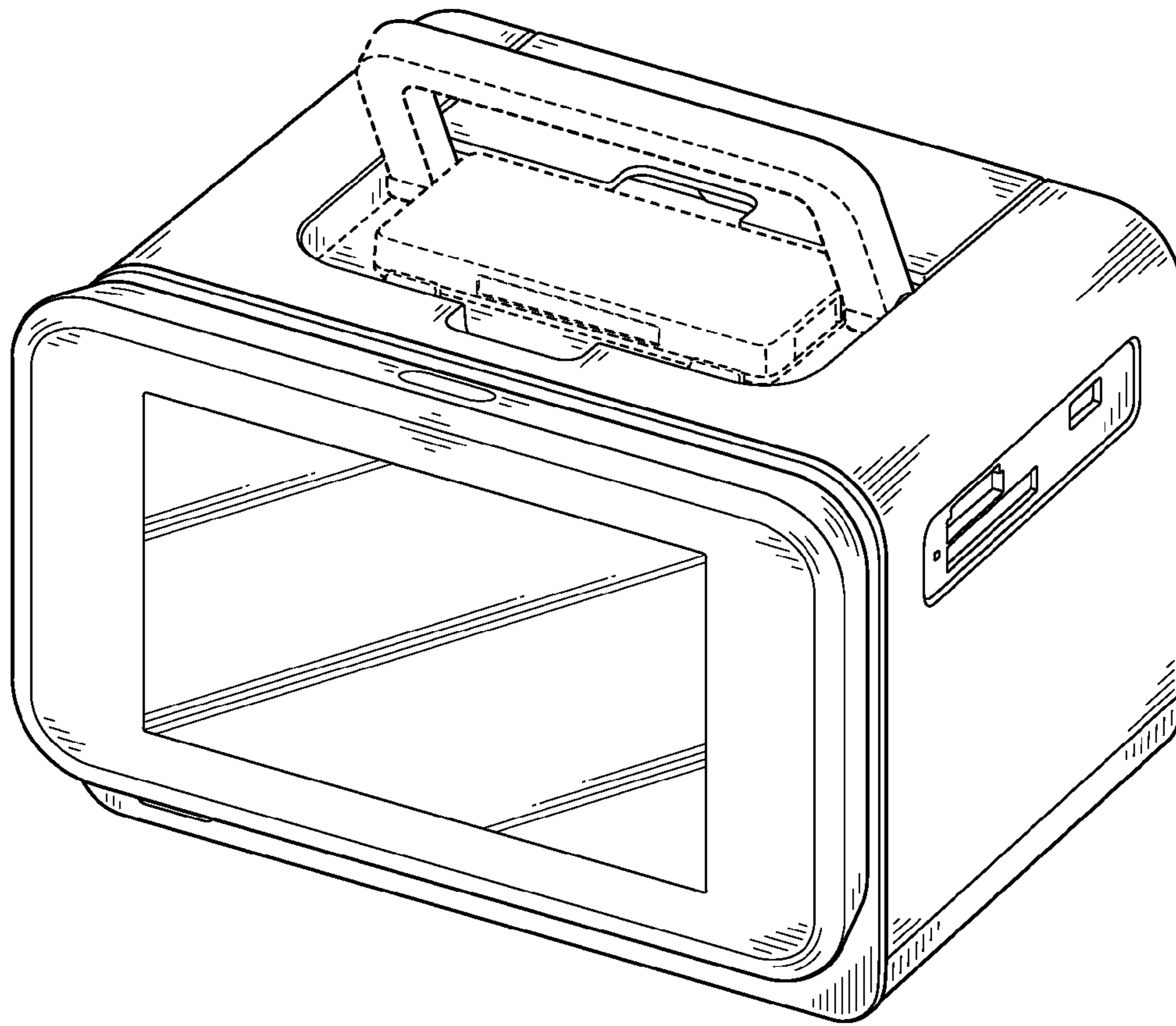


FIG.15