



US00D634354S

(12) **United States Design Patent**  
**Schwartz**

(10) **Patent No.:** **US D634,354 S**

(45) **Date of Patent:** **\*\* Mar. 15, 2011**

(54) **EYEGGLASS RETAINER WITH EAR PLUGS**

(76) Inventor: **Jonathan Schwartz**, Colfax, CA (US)

(\*\*) Term: **14 Years**

(21) Appl. No.: **29/364,111**

(22) Filed: **Jun. 18, 2010**

(51) **LOC (9) Cl.** ..... **16-06**

(52) **U.S. Cl.** ..... **D16/339**

(58) **Field of Classification Search** ..... D16/101,  
D16/300-342; D29/109-110; D24/110.2;  
351/41, 44, 51-52, 62, 158, 92, 103-123,  
351/140, 153, 45-46, 155-157; 2/426-432,  
2/447-449, 441, 434-437, 13, 15; D21/483,  
D21/659-661

See application file for complete search history.

(56) **References Cited**

**U.S. PATENT DOCUMENTS**

3,502,396	A *	3/1970	Greenberg	.....	351/157
D291,894	S *	9/1987	Weisenfeld et al.	.....	D16/339
4,965,913	A *	10/1990	Sugarman	.....	24/3.3
5,475,449	A *	12/1995	Pyle	.....	351/123
6,092,897	A *	7/2000	Smerdon, Jr.	.....	351/157
D435,265	S *	12/2000	Landis et al.	.....	D16/339

6,604,823	B2 *	8/2003	Hursey, Jr.	.....	351/61
7,213,916	B1 *	5/2007	Pettett	.....	351/158
7,594,724	B2 *	9/2009	Purcell	.....	351/156

\* cited by examiner

*Primary Examiner* — Raphael Barkai

(74) *Attorney, Agent, or Firm* — Larry D. Johnson

(57) **CLAIM**

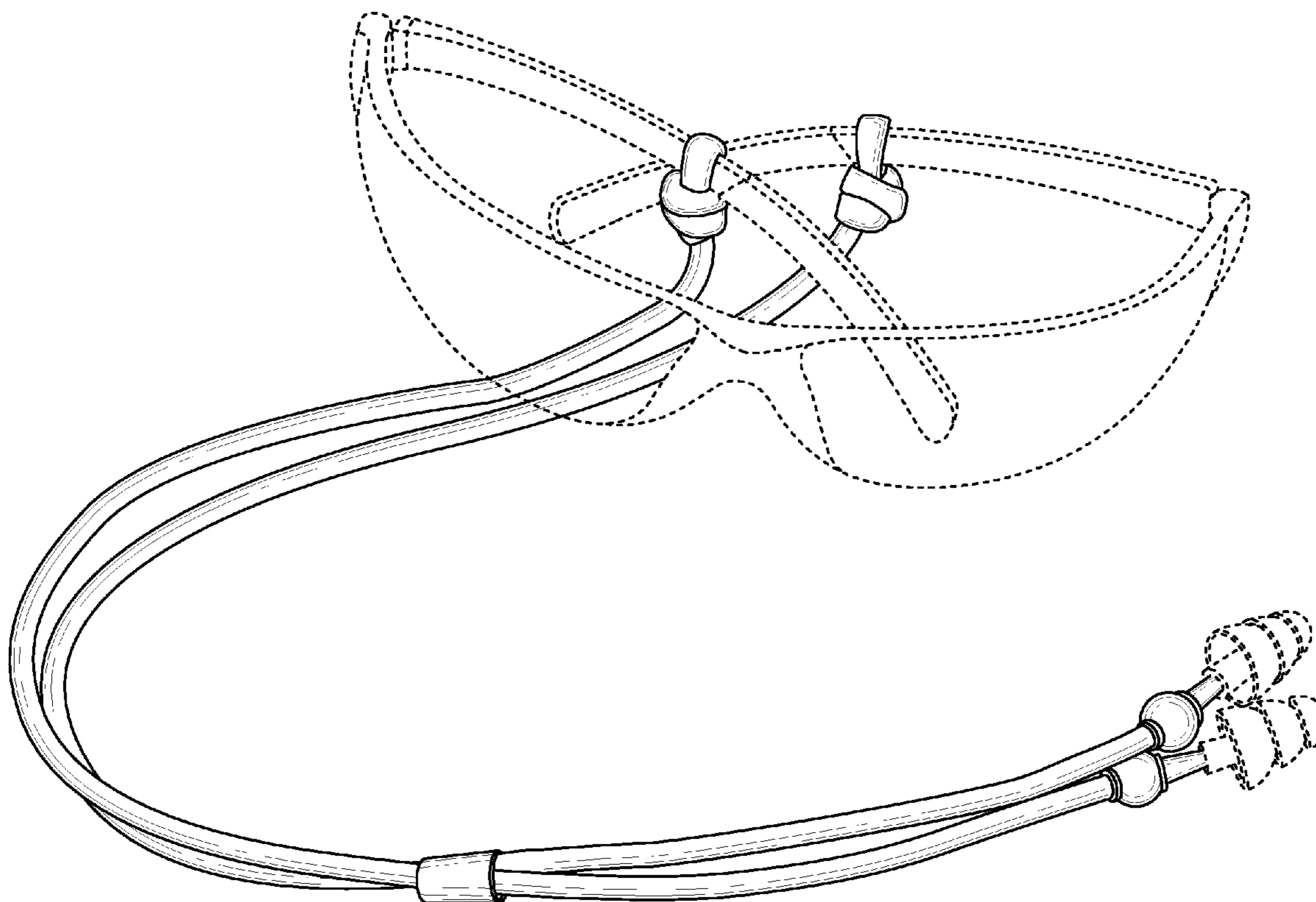
The ornamental design for an eyeglass retainer with ear plugs, as shown and described.

**DESCRIPTION**

FIG. 1 is a perspective view;  
 FIG. 2 is a perspective view of an end of a retainer with the ear plug removed;  
 FIG. 3 is a perspective view of an end of a retainer with the ear plug installed;  
 FIG. 4 is a front view of an end of a retainer;  
 FIG. 5 is a back view of an end of a retainer;  
 FIG. 6 is a top view of an end of a retainer;  
 FIG. 7 is a back view of an end of a retainer;  
 FIG. 8 is a perspective view of a pair of retainer ends; and,  
 FIG. 9 is a perspective view of a pair of retainer ends being connected together.

The broken lines shown in FIGS. 1-3 are for illustrative purposes only and form no part of the claimed design.

**1 Claim, 4 Drawing Sheets**



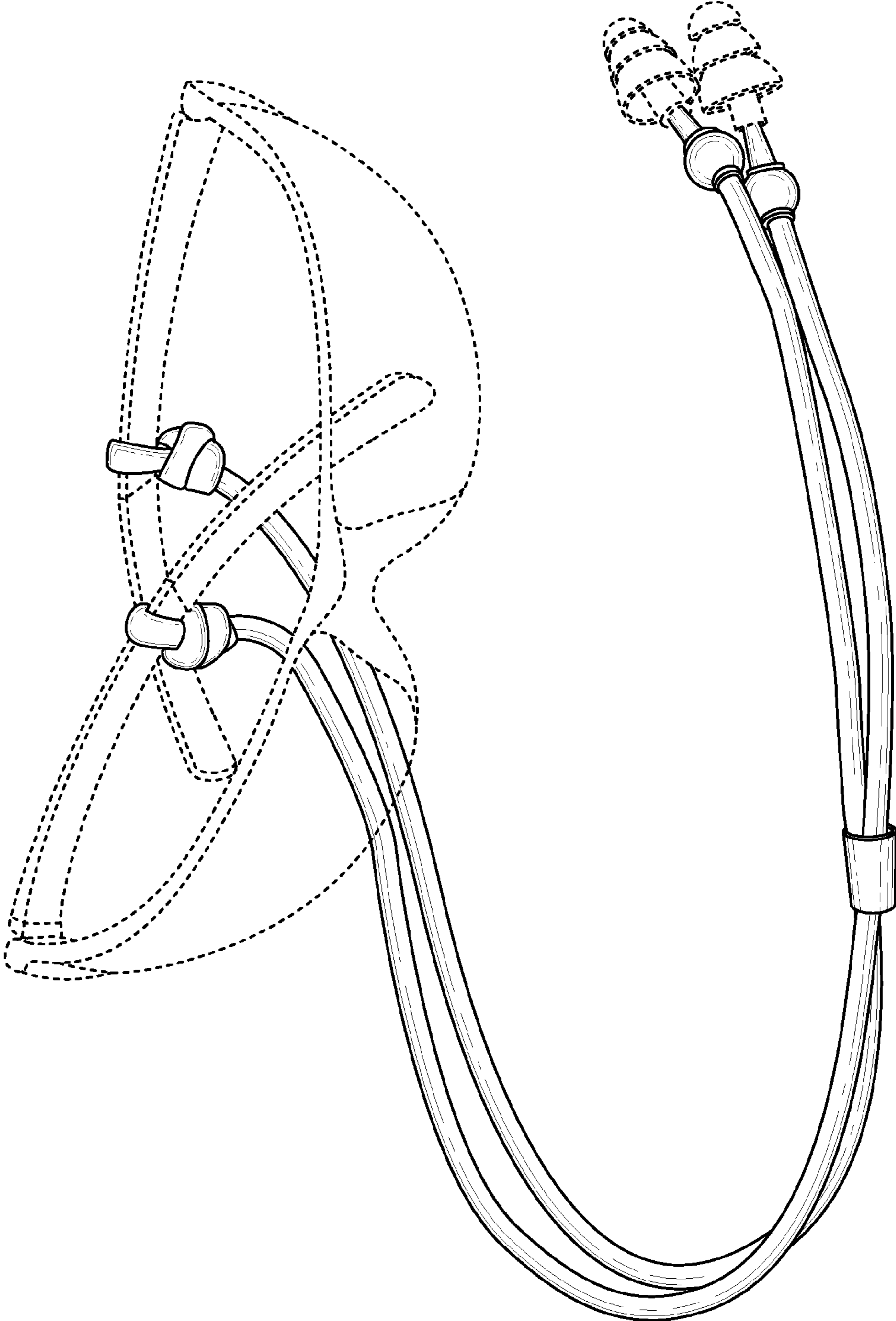
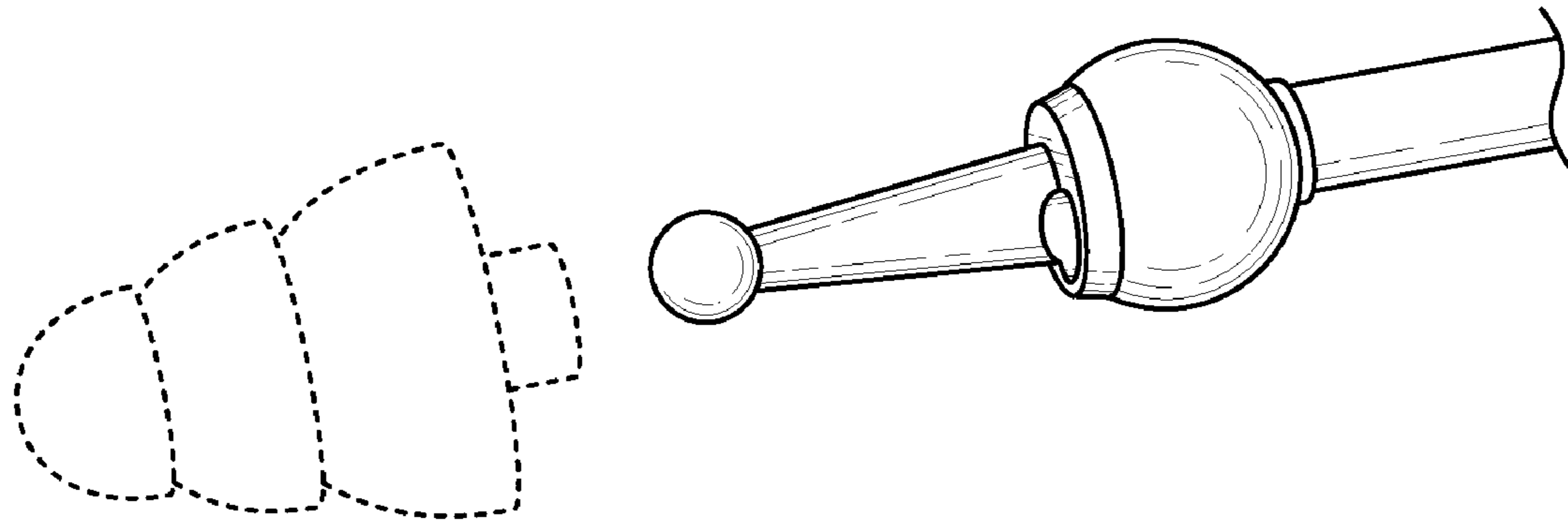
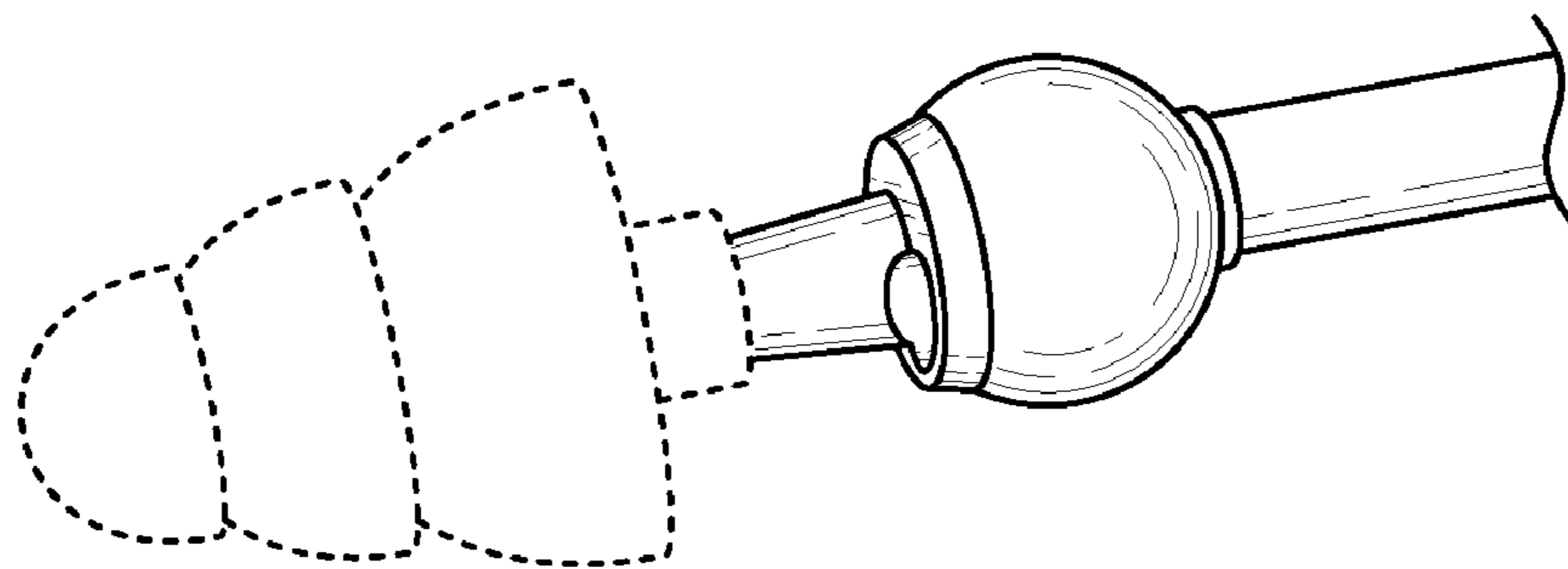


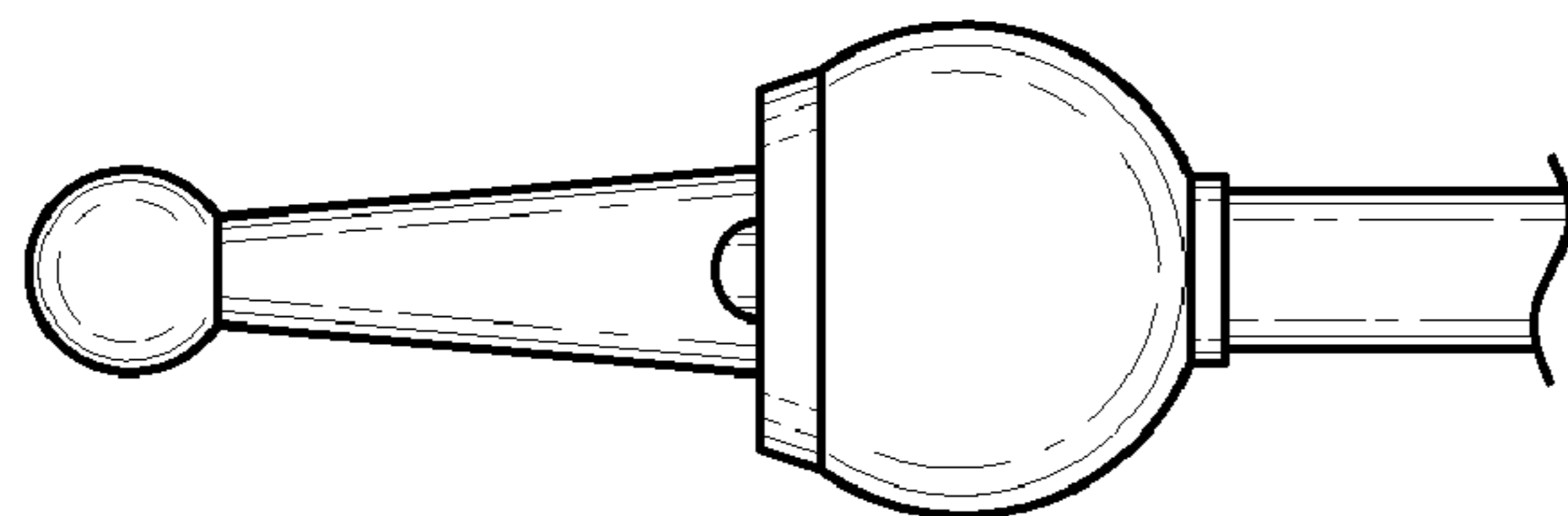
FIG. 1



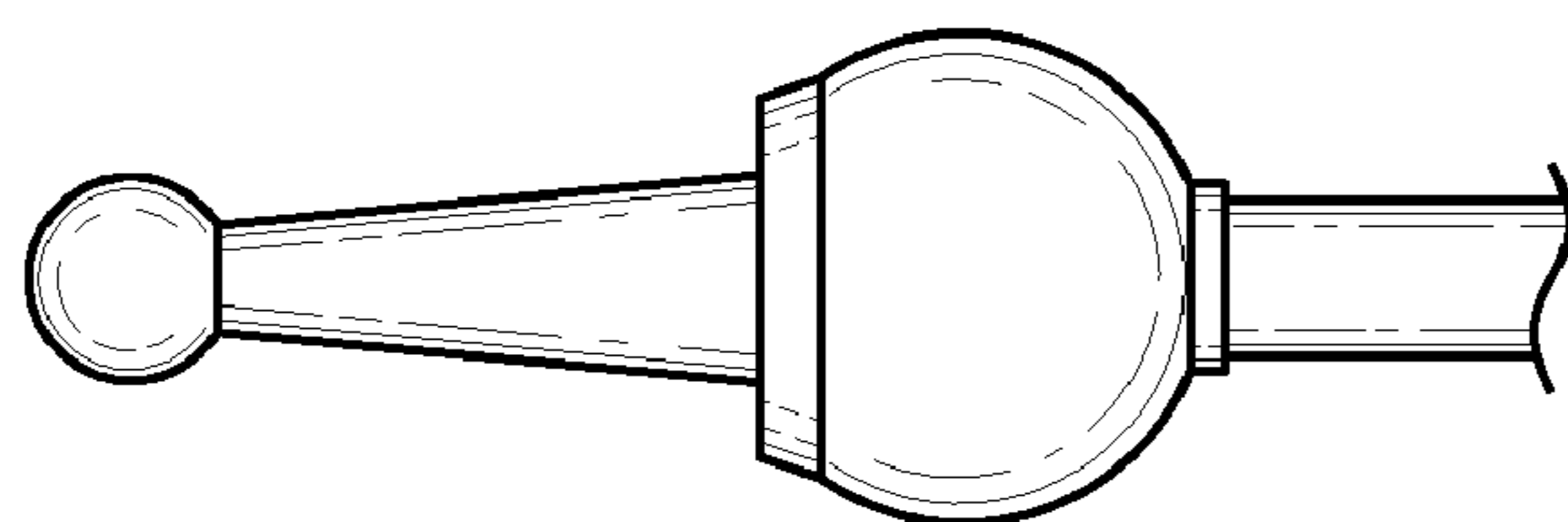
**FIG. 2**



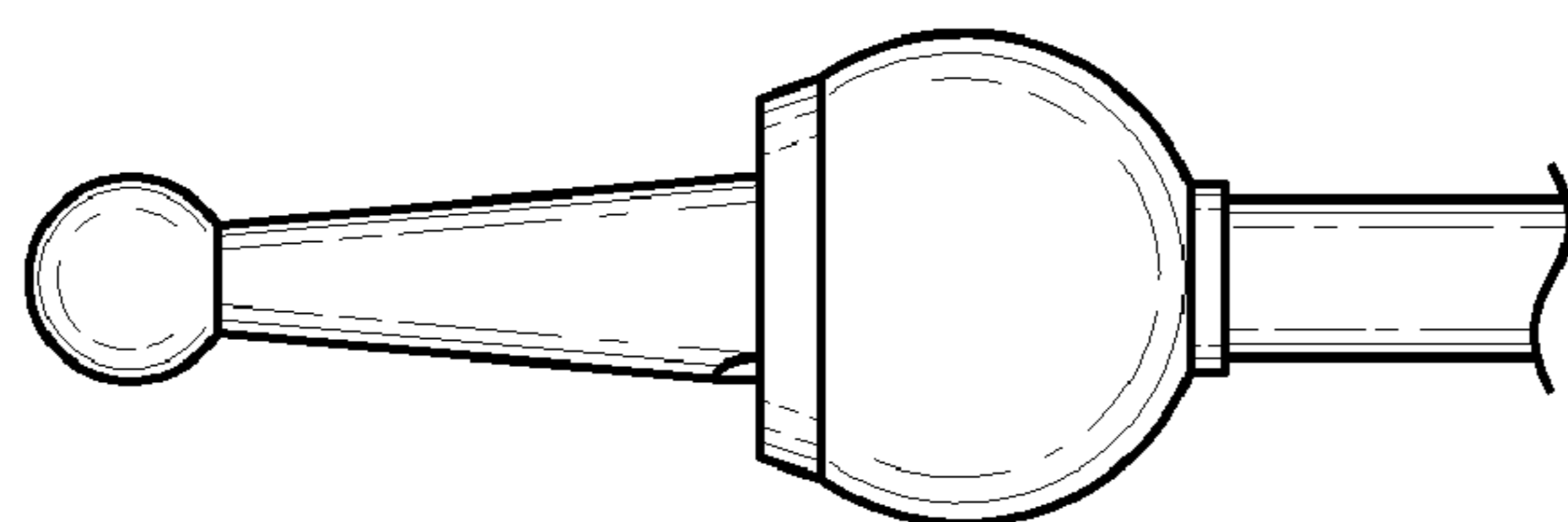
**FIG. 3**



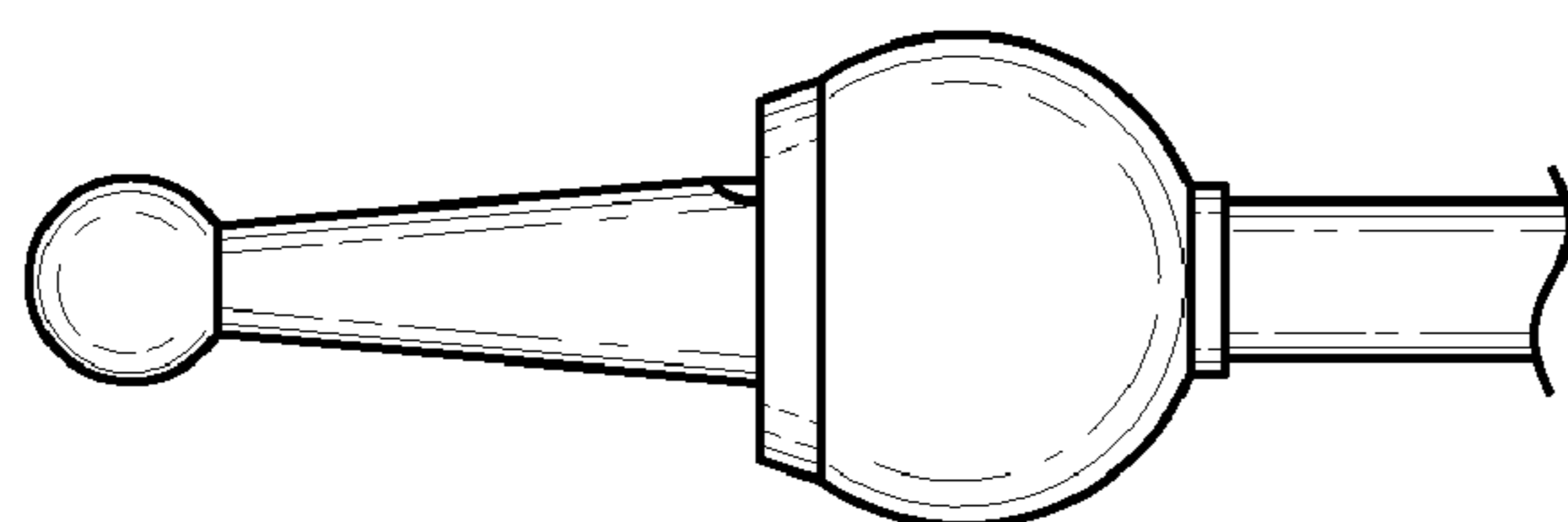
**FIG. 4**



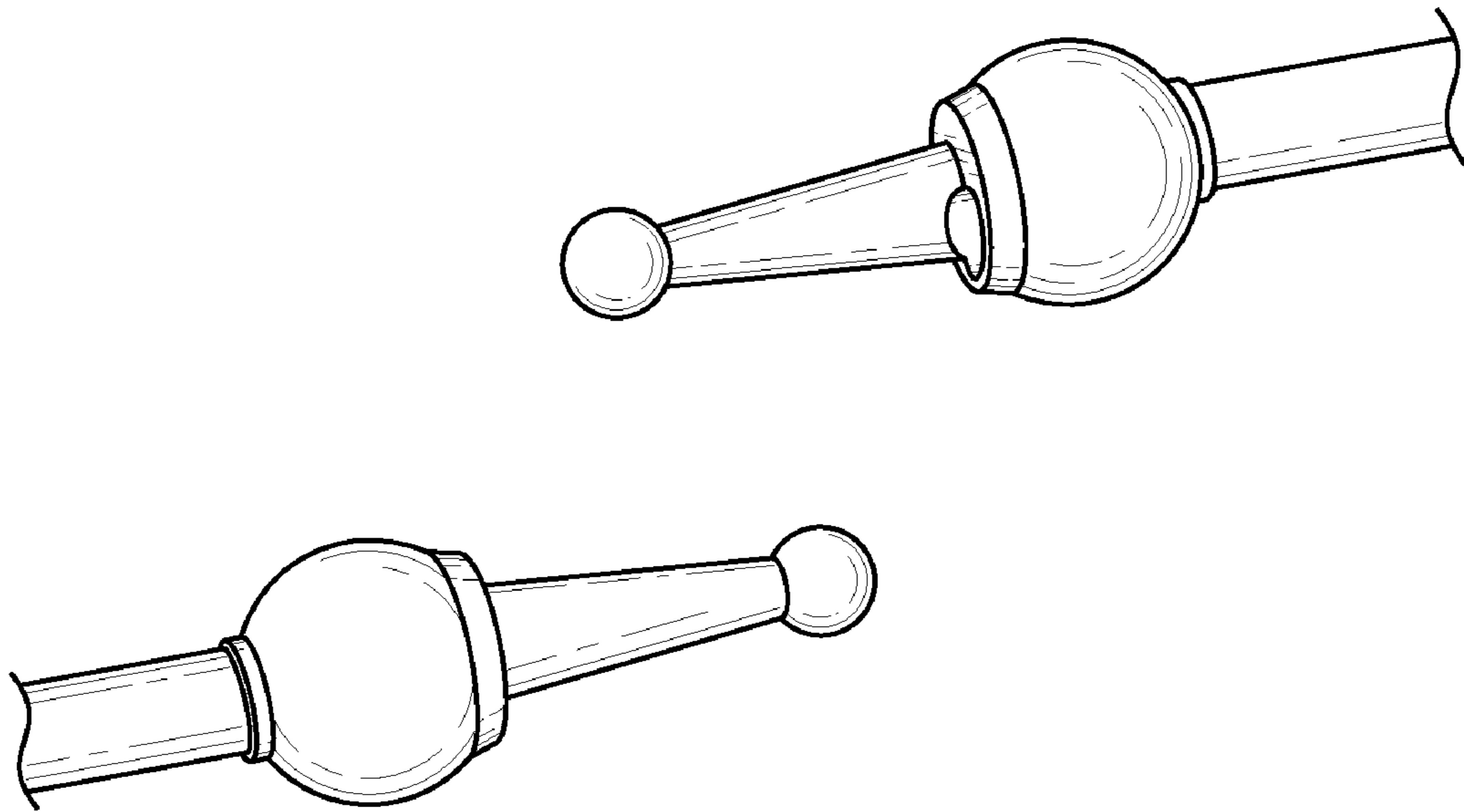
**FIG. 5**



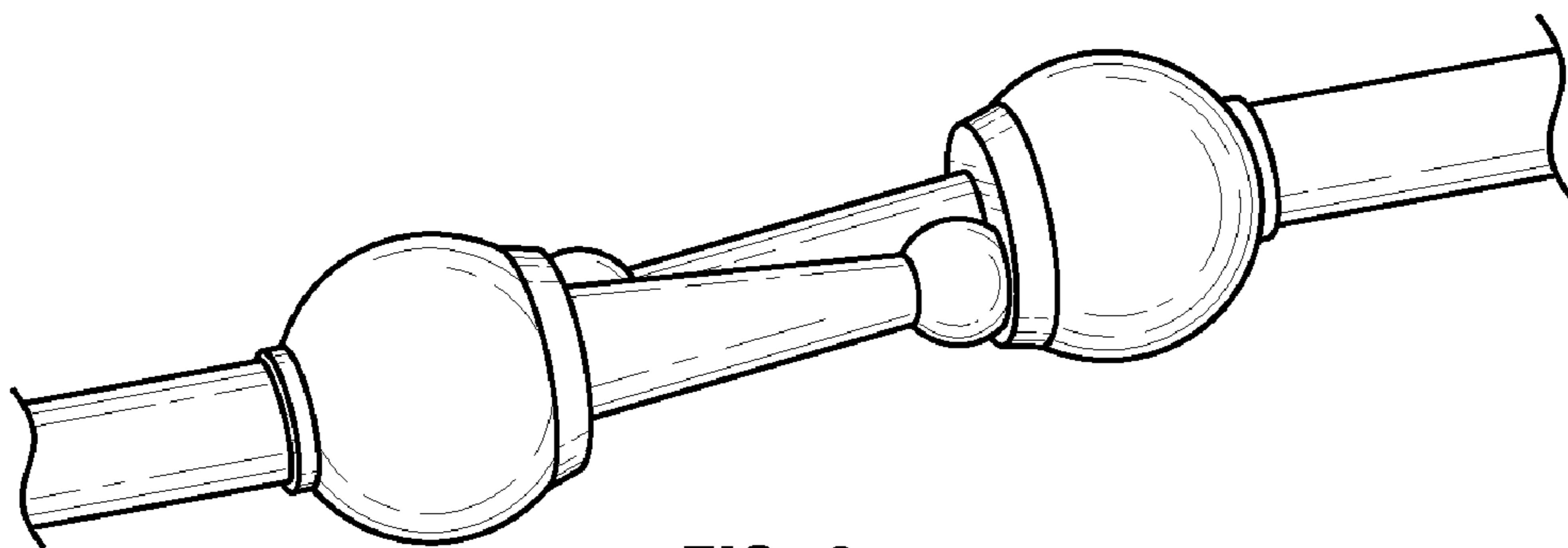
**FIG. 6**



**FIG. 7**



**FIG. 8**



**FIG. 9**