



US00D634347S

(12) **United States Design Patent**
Park

(10) **Patent No.:** **US D634,347 S**

(45) **Date of Patent:** **** Mar. 15, 2011**

(54) **CAMERA FOR CLOSED CIRCUIT TELEVISION**

(75) **Inventor:** **Heeyoung Park**, Incheon (KR)

(73) **Assignee:** **CNB Technology Inc.** (KR)

(**) **Term:** **14 Years**

(21) **Appl. No.:** **29/363,238**

(22) **Filed:** **Jun. 7, 2010**

(51) **LOC (9) Cl.** **16-01**

(52) **U.S. Cl.** **D16/203**

(58) **Field of Classification Search** D16/200–205,
D16/208, 218; 348/143, 151, 373–376; 358/906;
396/427, 535–541

See application file for complete search history.

(56) **References Cited**

U.S. PATENT DOCUMENTS

4,414,576	A	*	11/1983	Randmae	348/373
D340,940	S	*	11/1993	Ellenberger et al.	D16/203
D474,488	S	*	5/2003	Arbuckle et al.	D16/203
D489,743	S	*	5/2004	Owada	D16/203

D497,928	S	*	11/2004	Cheng-Yuan	D16/203
D515,607	S	*	2/2006	Cheng	D16/203
D528,144	S	*	9/2006	Takemasa	D16/203
7,306,383	B2	*	12/2007	Jones et al.	396/427
7,380,997	B2	*	6/2008	Takahashi et al.	396/427
D576,193	S	*	9/2008	Su et al.	D16/203

* cited by examiner

Primary Examiner — Adir Aronovich

(74) *Attorney, Agent, or Firm* — Cantor Colburn LLP

(57) **CLAIM**

The ornamental design for a camera for closed circuit television, as shown and described.

DESCRIPTION

FIG. 1 is a front and right side perspective view of a camera for closed circuit television showing my new design; FIG. 2 is a front elevational view thereof; FIG. 3 is a rear elevational view thereof; FIG. 4 is a left side elevational view thereof; FIG. 5 is a right side elevational view thereof; FIG. 6 is a top plan view thereof; and, FIG. 7 is a bottom plan view thereof.

1 Claim, 7 Drawing Sheets

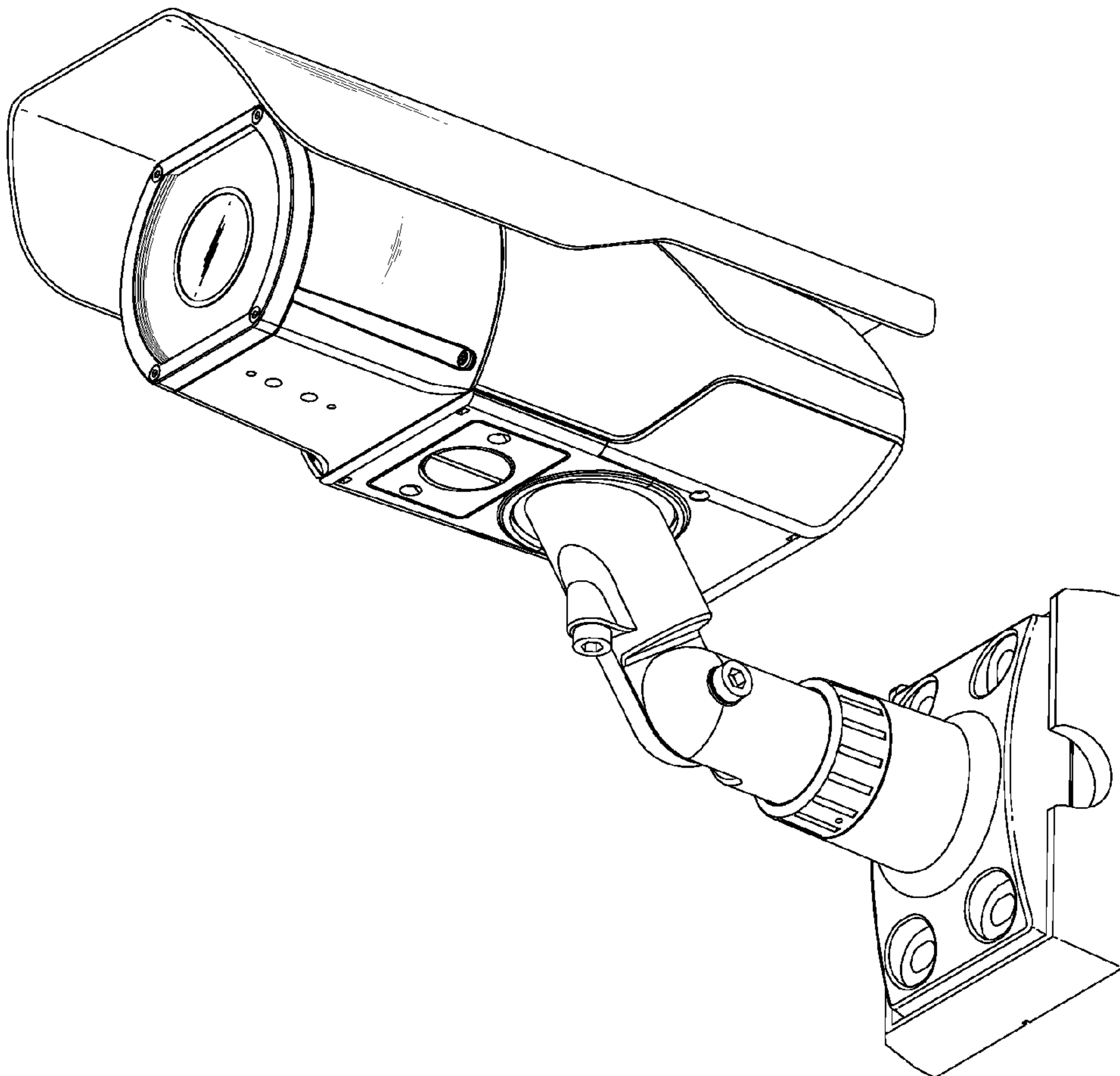


FIG. 1

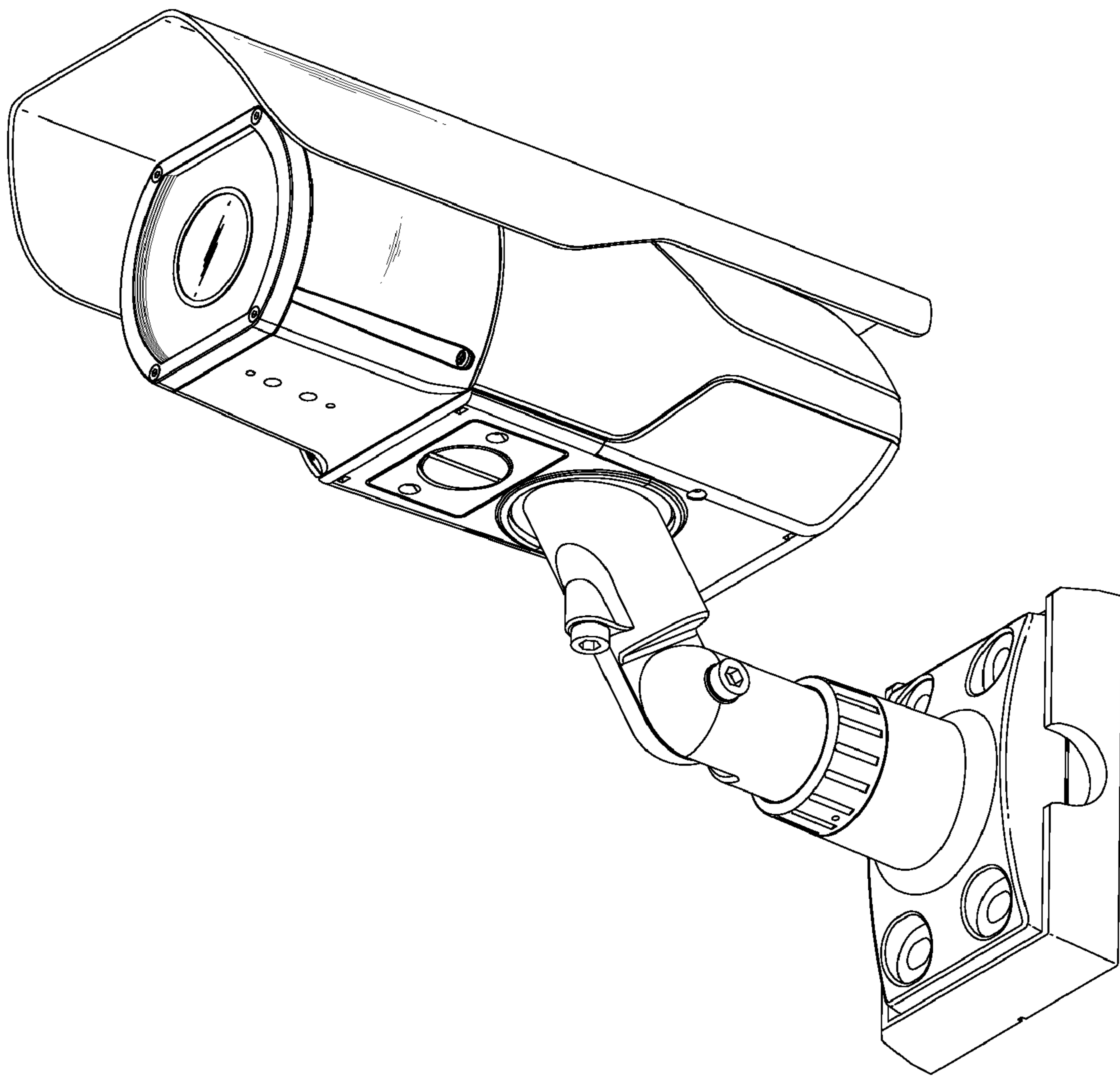


FIG. 2

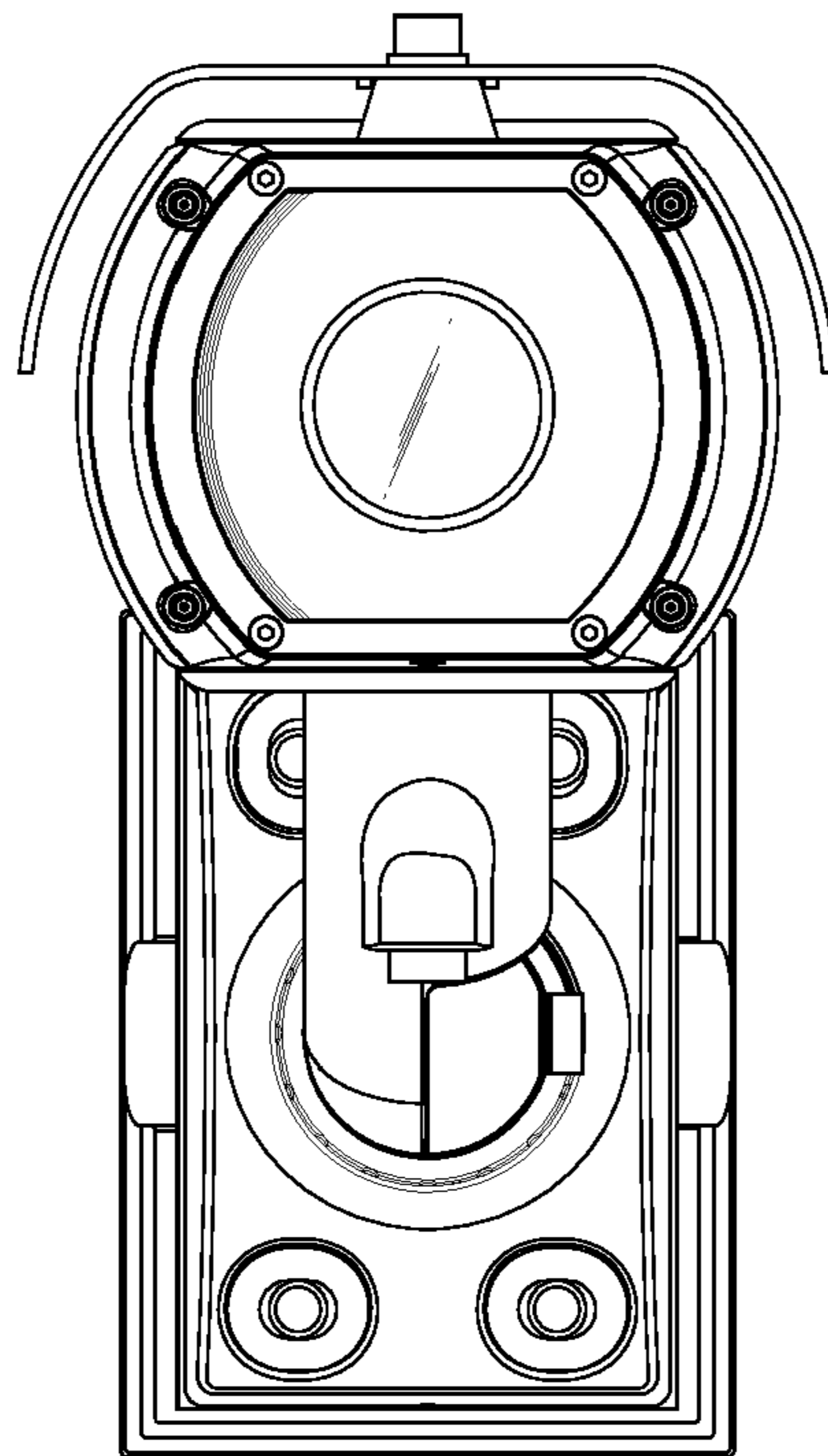


FIG. 3

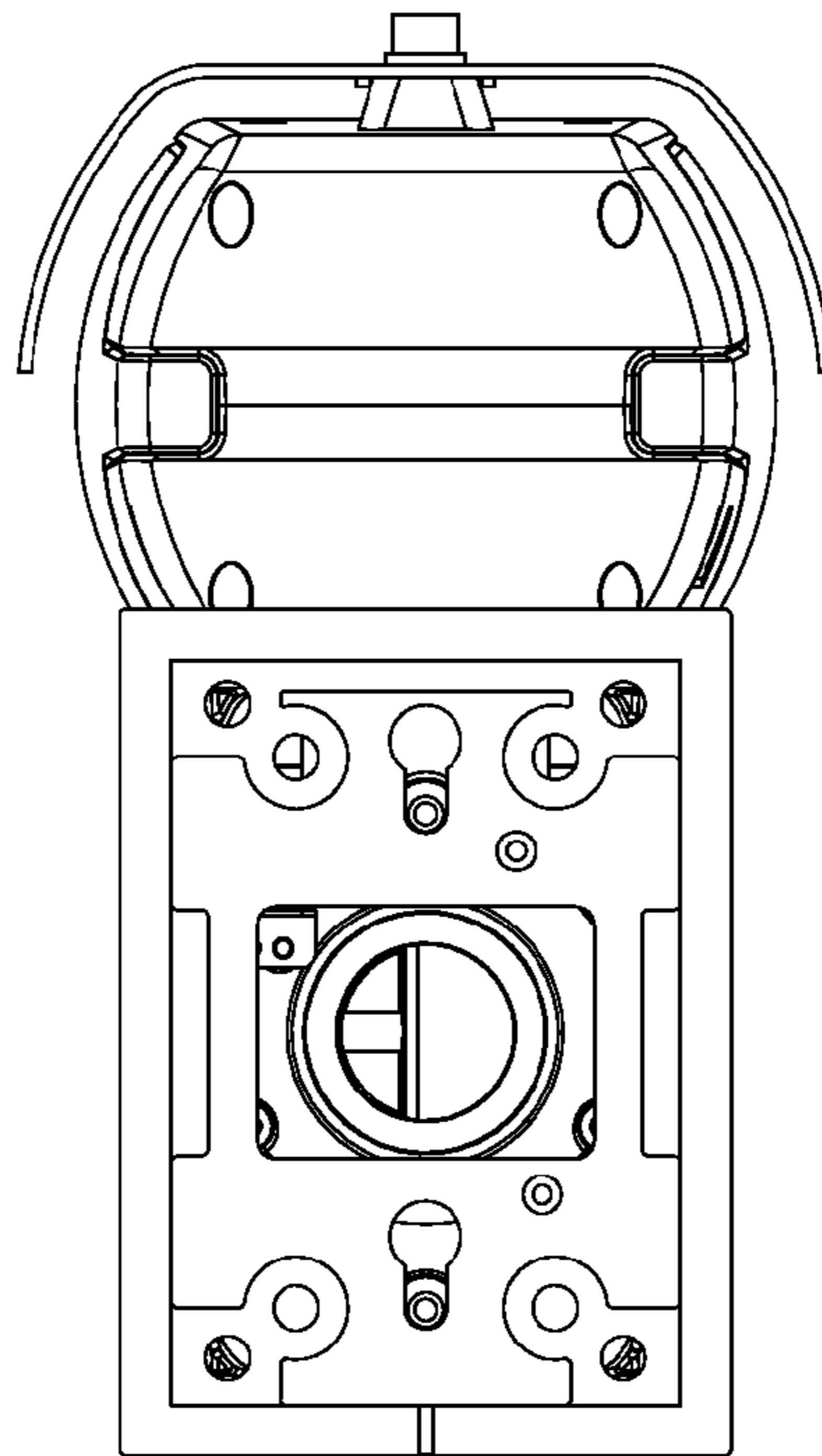


FIG. 4

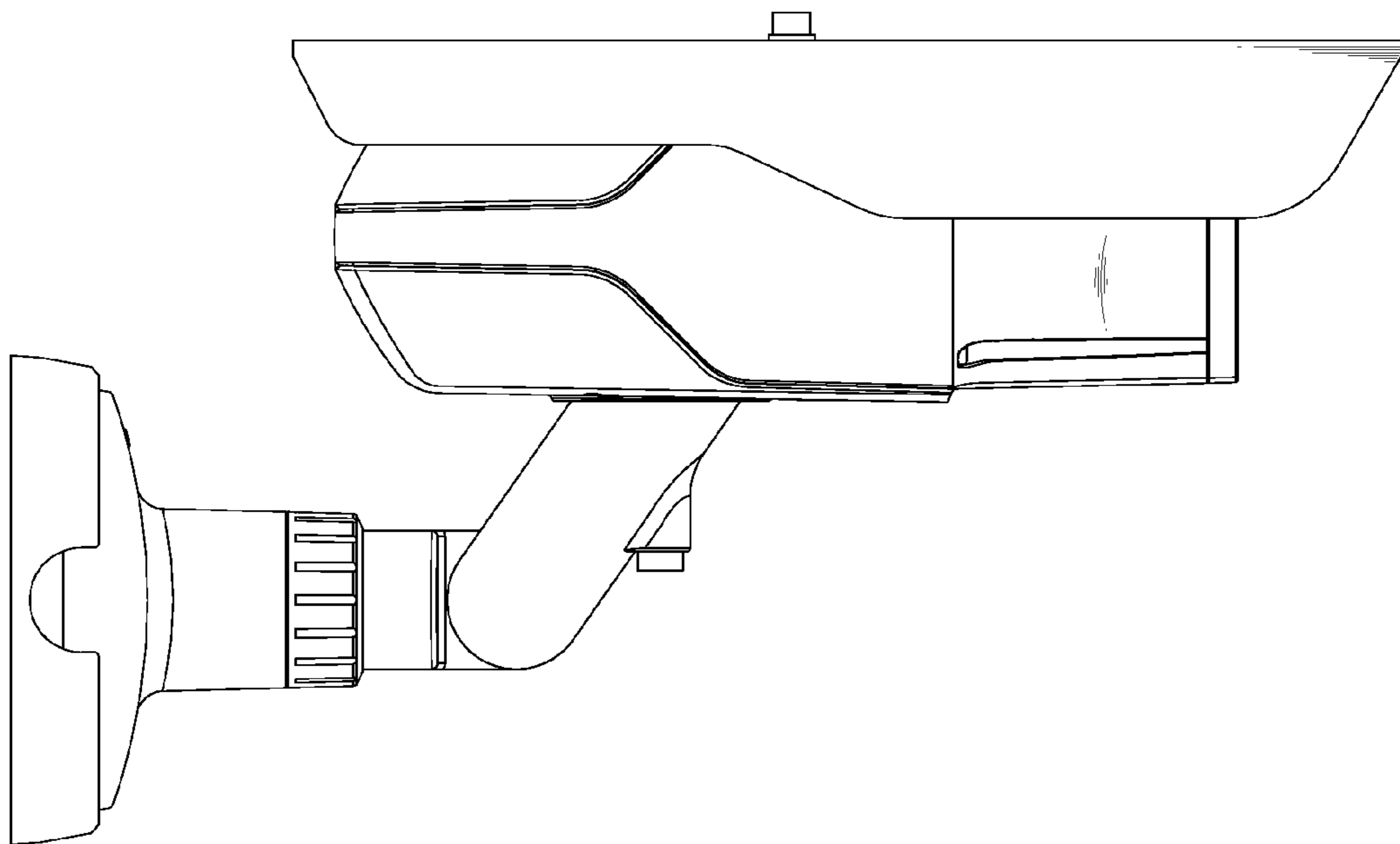


FIG. 5

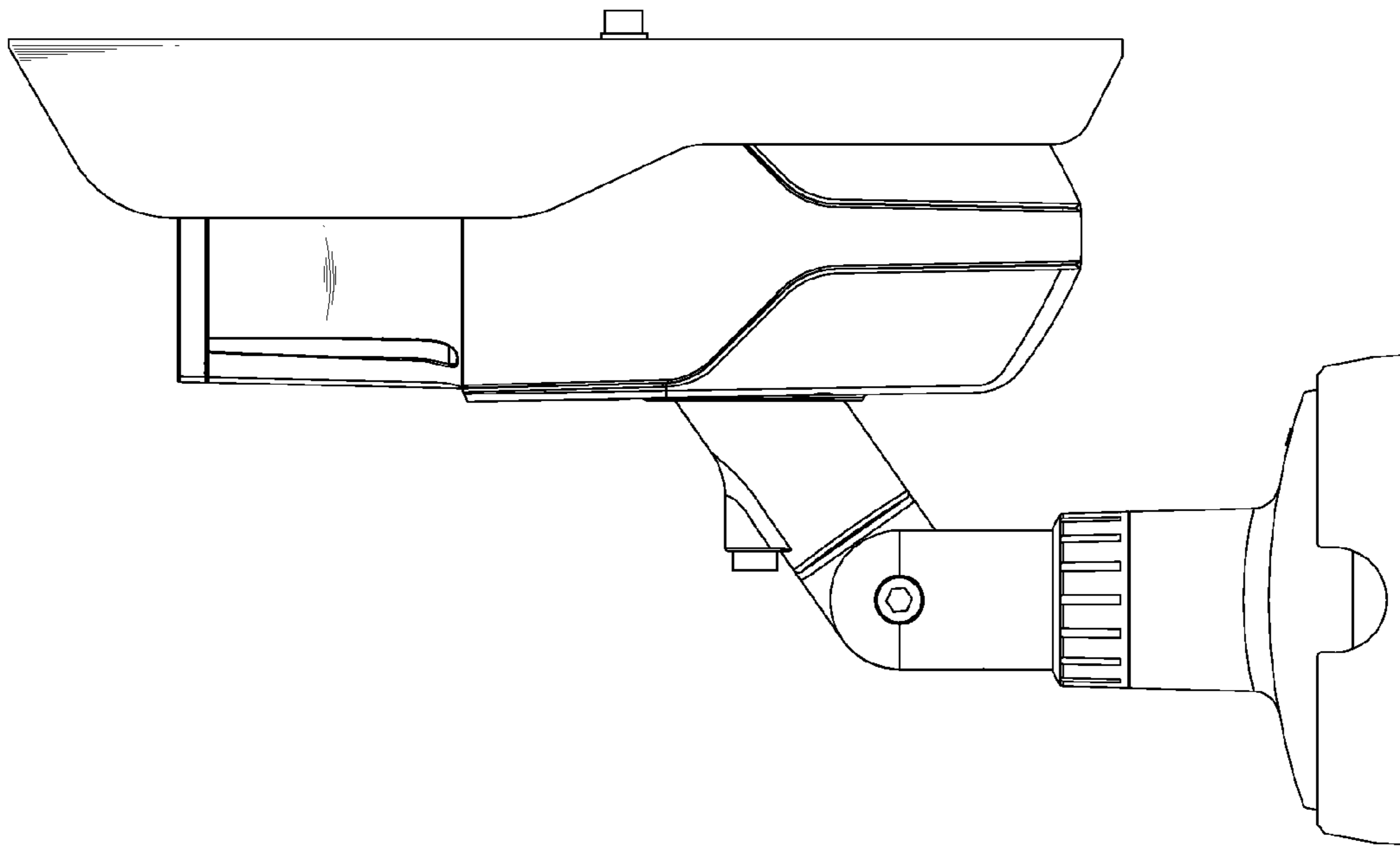


FIG. 6

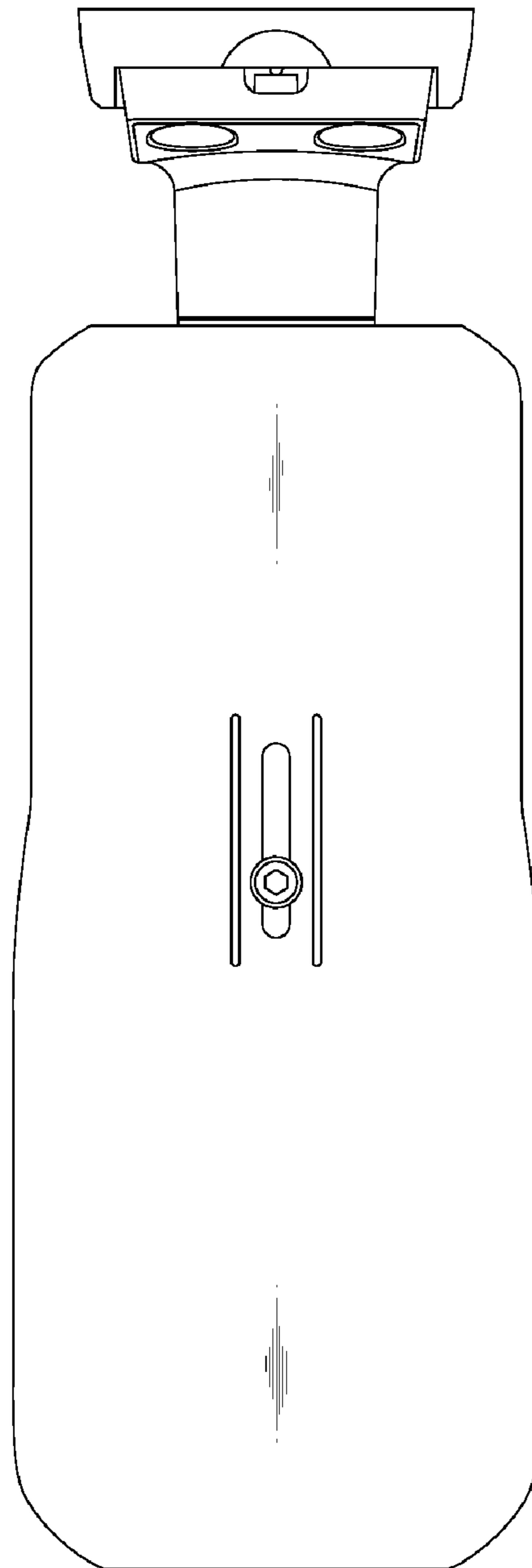


FIG. 7

