



US00D634346S

(12) **United States Design Patent**  
**Park**

(10) **Patent No.:** **US D634,346 S**

(45) **Date of Patent:** **\*\* Mar. 15, 2011**

(54) **CAMERA FOR CLOSED CIRCUIT TELEVISION**

(75) **Inventor:** **Heeyoung Park**, Incheon (KR)

(73) **Assignee:** **CNB Technology Inc.** (KR)

(\*\*) **Term:** **14 Years**

(21) **Appl. No.:** **29/363,235**

(22) **Filed:** **Jun. 7, 2010**

(51) **LOC (9) Cl.** ..... **16-01**

(52) **U.S. Cl.** ..... **D16/203**

(58) **Field of Classification Search** ..... D16/200–205,  
D16/208, 218; 348/143, 151, 373–376; 358/906;  
396/427, 535–541

See application file for complete search history.

(56) **References Cited**

**U.S. PATENT DOCUMENTS**

4,414,576	A	*	11/1983	Randmae	.....	348/373
D340,940	S	*	11/1993	Ellenberger et al.	.....	D16/203
D474,488	S	*	5/2003	Arbuckle et al.	.....	D16/203
D489,743	S	*	5/2004	Owada	.....	D16/203
D497,928	S	*	11/2004	Cheng-Yuan	.....	D16/203

D515,607	S	*	2/2006	Cheng	.....	D16/203
7,066,663	B2	*	6/2006	Cheng	.....	396/427
D528,144	S	*	9/2006	Takemasa	.....	D16/203
7,306,383	B2	*	12/2007	Jones et al.	.....	348/373
D576,193	S	*	9/2008	Su et al.	.....	D16/203
7,762,731	B2	*	7/2010	Arbuckle et al.	.....	396/427

\* cited by examiner

*Primary Examiner* — Adir Aronovich

(74) *Attorney, Agent, or Firm* — Cantor Colburn LLP

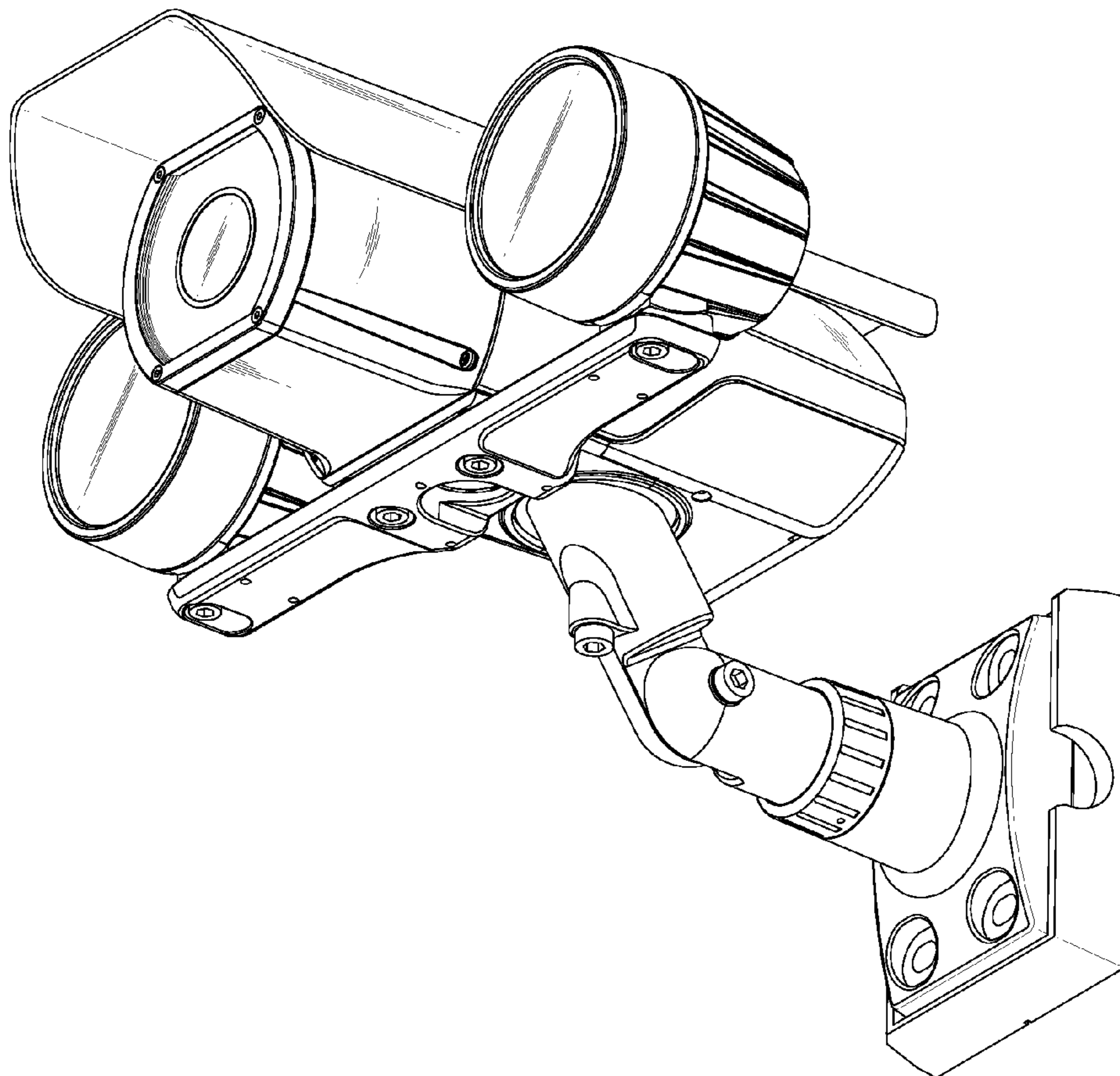
(57) **CLAIM**

The ornamental design for a camera for closed circuit television, as shown and described.

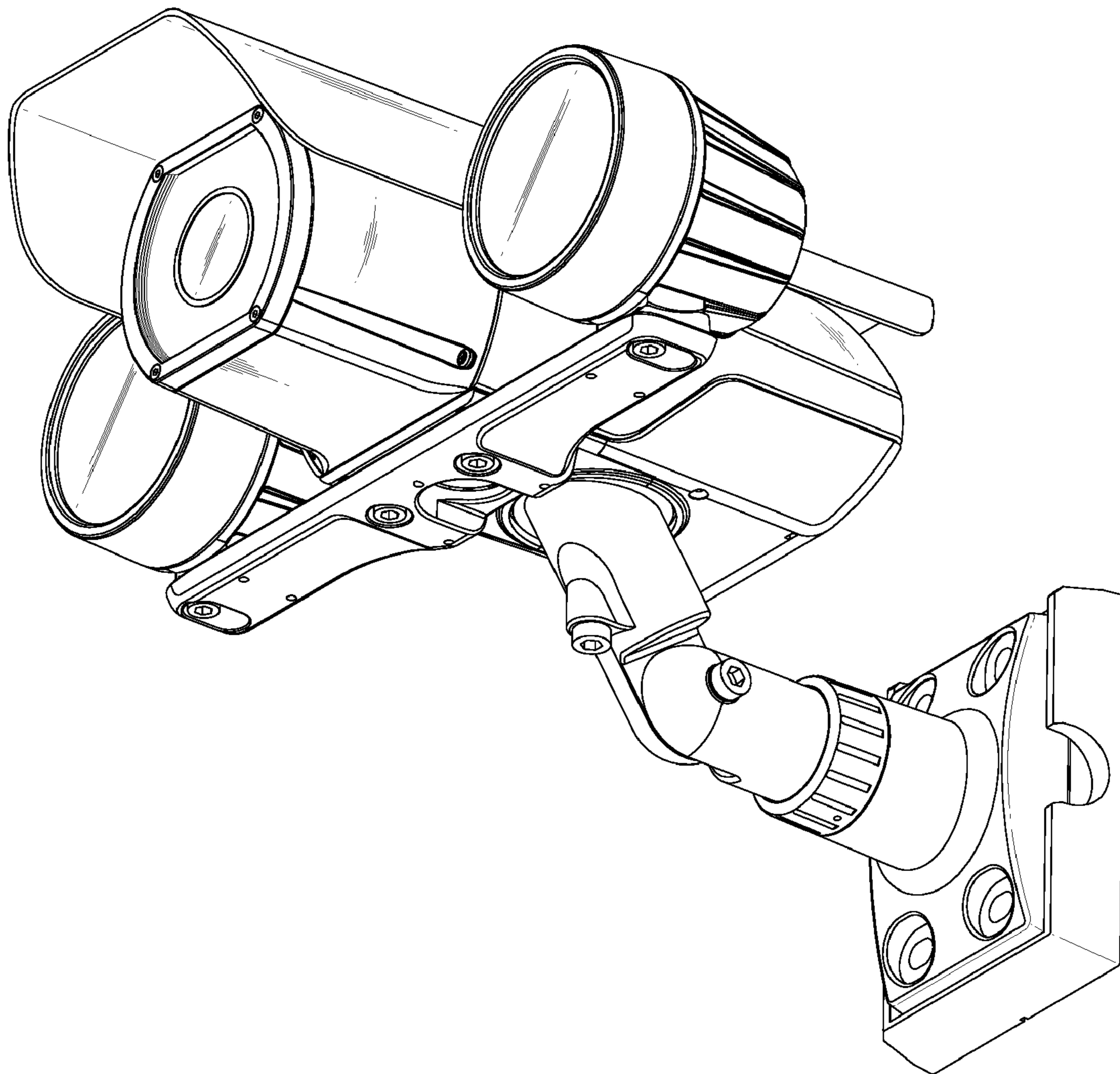
**DESCRIPTION**

FIG. 1 is a front and right side perspective view of a camera for closed circuit television showing my new design; FIG. 2 is a front elevational view thereof; FIG. 3 is a rear elevational view thereof; FIG. 4 is a left side elevational view thereof; FIG. 5 is a right side elevational view thereof; FIG. 6 is a top plan view thereof; and, FIG. 7 is a bottom plan view thereof.

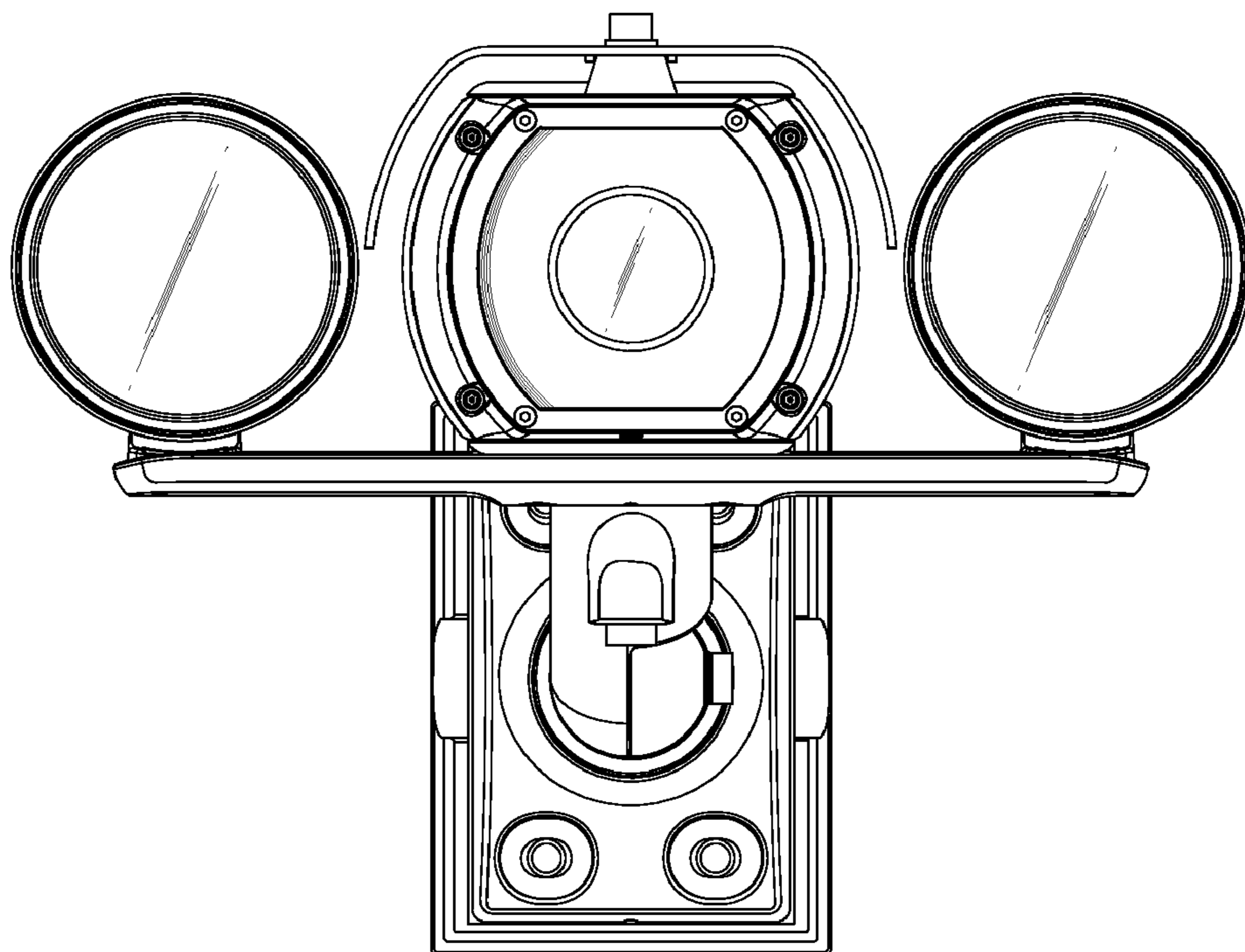
**1 Claim, 7 Drawing Sheets**



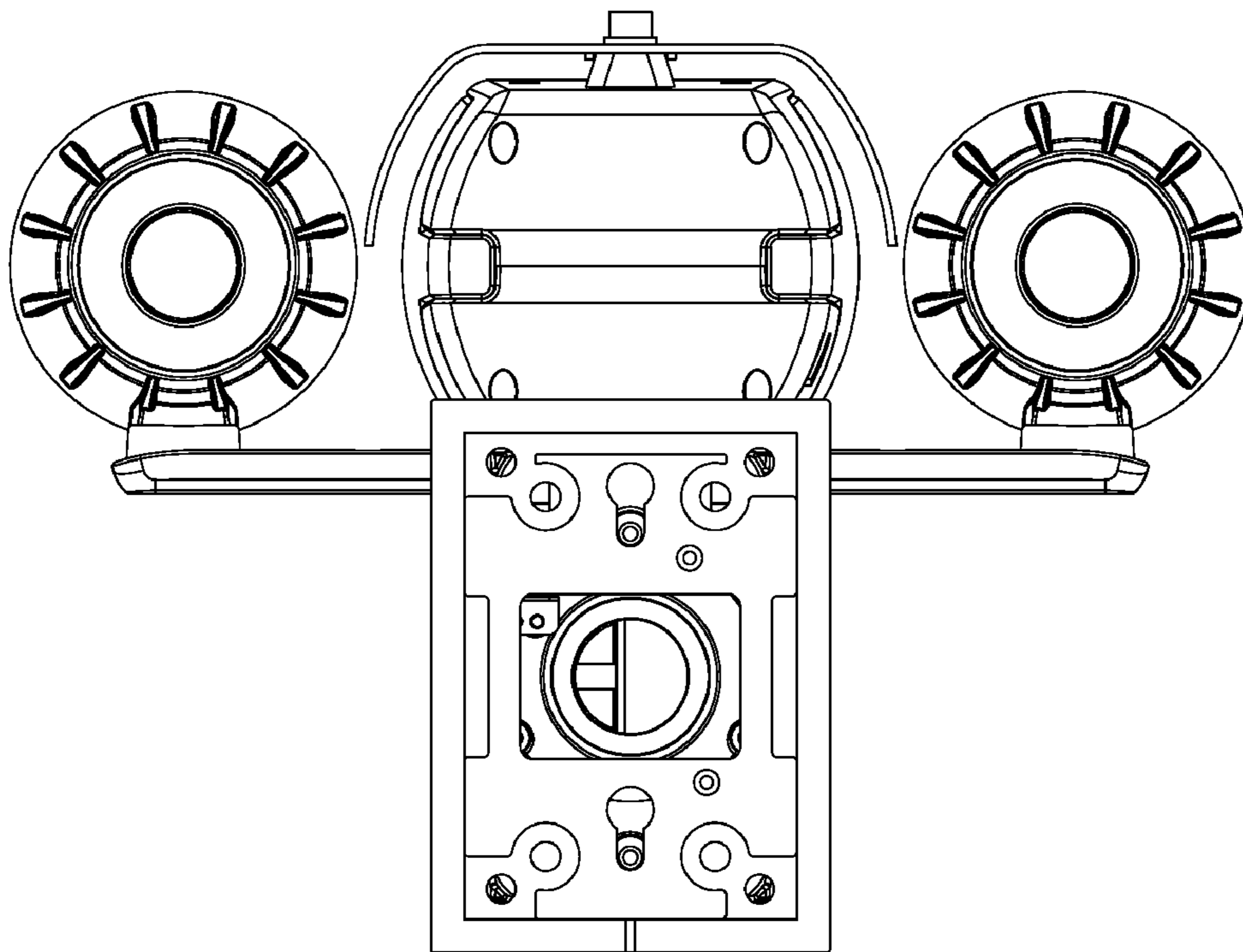
**FIG. 1**



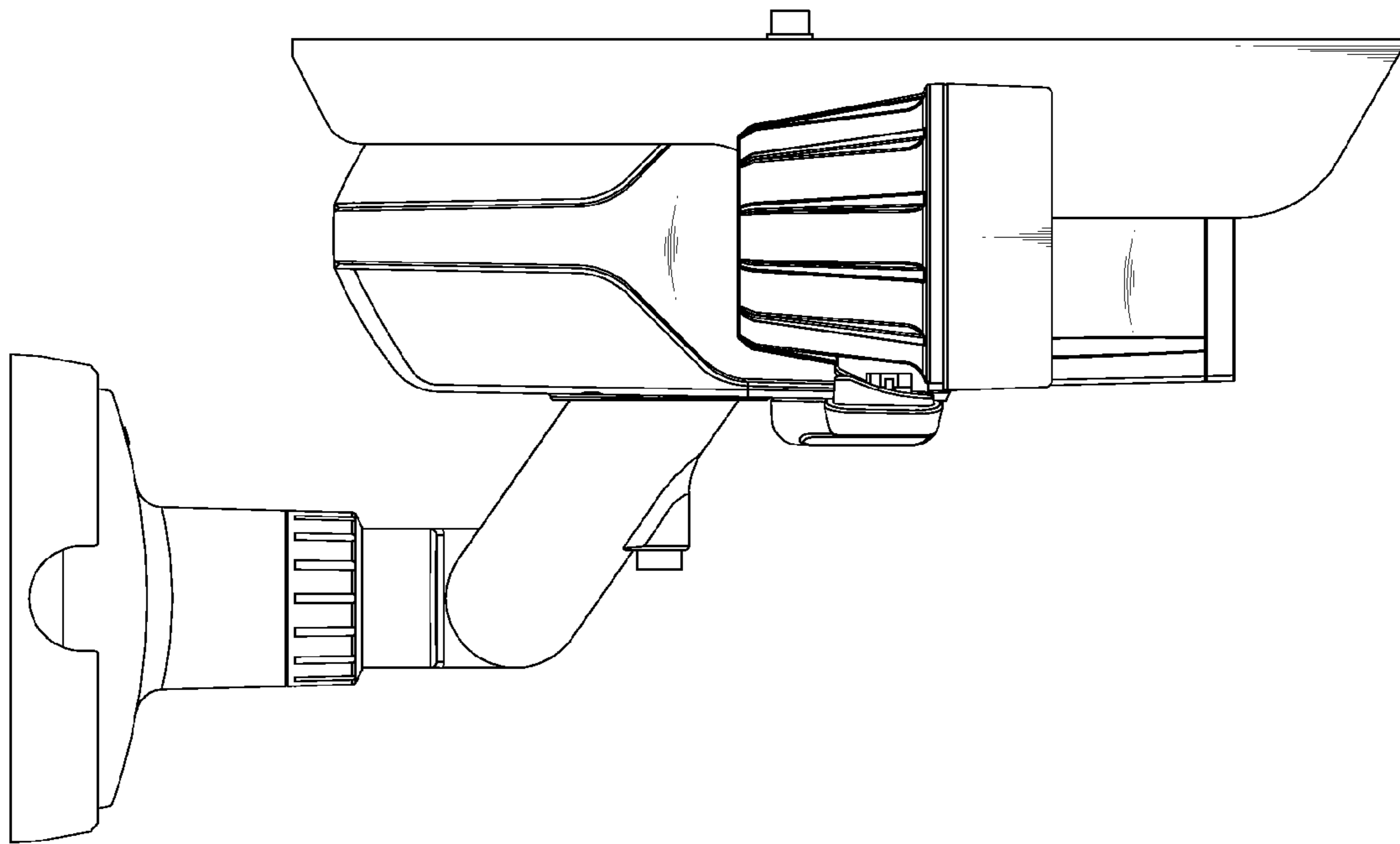
**FIG. 2**



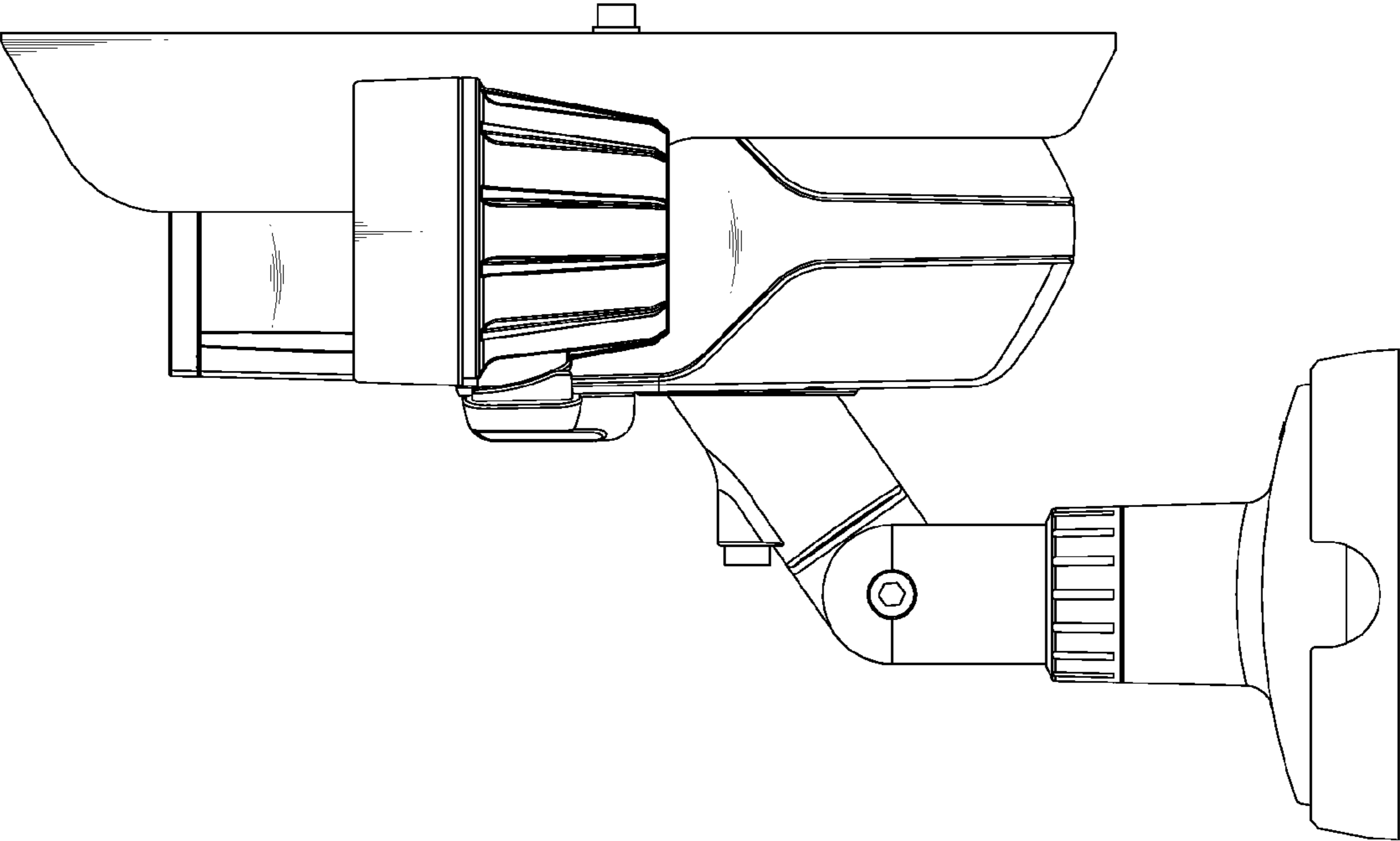
**FIG. 3**



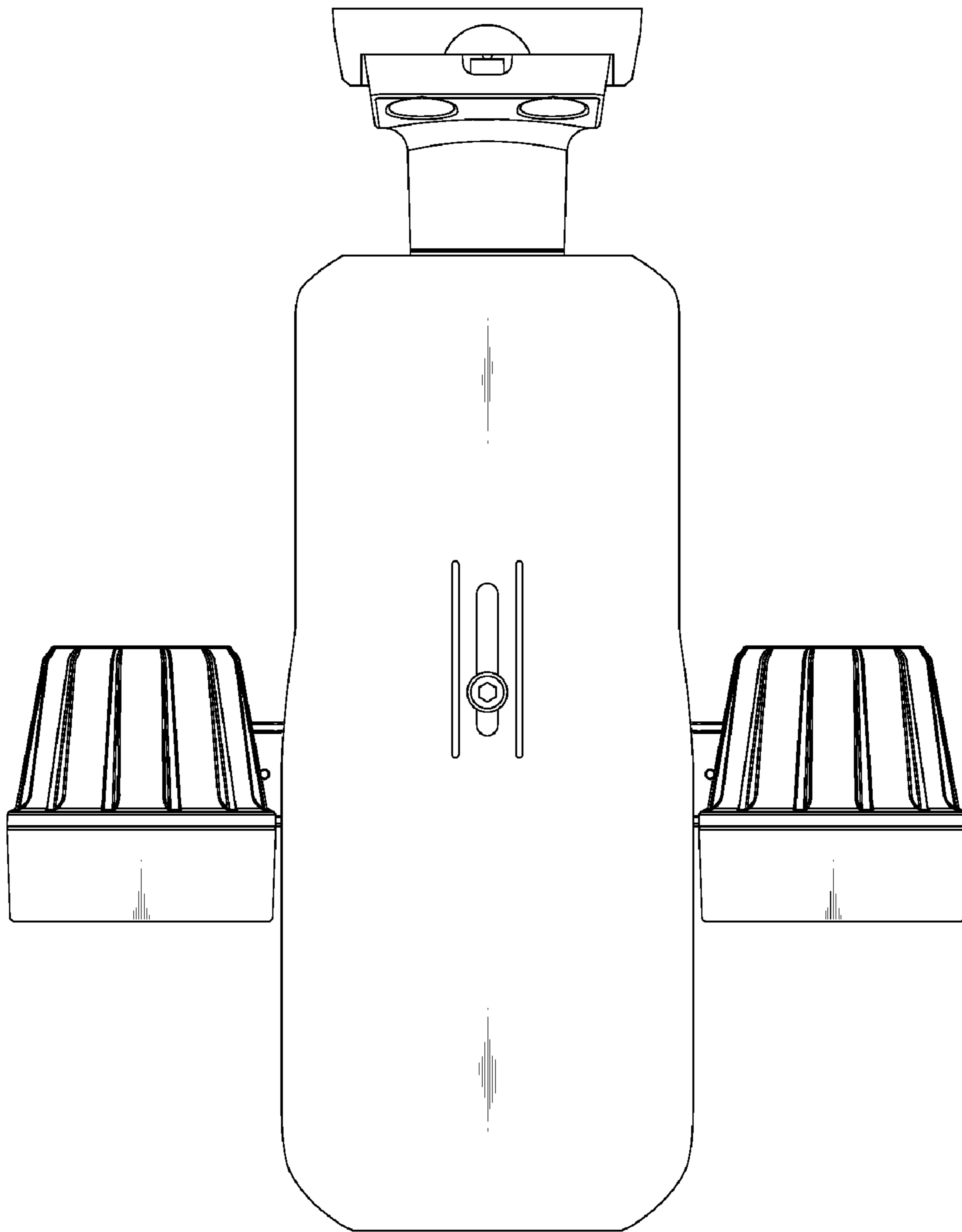
**FIG. 4**



**FIG. 5**



**FIG. 6**



**FIG. 7**

